



US00D801515S

(12) **United States Design Patent**
Wang

(10) **Patent No.:** **US D801,515 S**

(45) **Date of Patent:** **** Oct. 31, 2017**

(54) **CEILING FAN MOTOR HOUSING WITH LIGHT KIT**

(71) Applicant: **AIR COOL INDUSTRIAL CO., LTD.**, Taichung (TW)

(72) Inventor: **Cliff Wang**, Taichung (TW)

(73) Assignee: **AIR COOL INDUSTRIAL CO., LTD.**, Taichung (TW)

(**) Term: **15 Years**

(21) Appl. No.: **29/585,051**

(22) Filed: **Nov. 19, 2016**

(51) **LOC (10) Cl.** **23-04**

(52) **U.S. Cl.**
USPC **D23/411; D26/59**

(58) **Field of Classification Search**
USPC D23/370, 377, 379, 385, 411, 413;
D26/59
CPC H02K 1/187; F04D 25/08; F04D 29/388;
F04D 29/34; F04D 25/088
See application file for complete search history.

(56) **References Cited**

U.S. PATENT DOCUMENTS

D451,189 S *	11/2001	Liu	D23/377
D462,756 S *	9/2002	Liu	D23/377
D485,897 S *	1/2004	Tai	D23/377
D594,542 S *	6/2009	Pan	D23/377
D627,874 S *	11/2010	Pan	D23/411
D628,688 S *	12/2010	Pan	D23/377

D632,381 S *	2/2011	Davenport	D23/377
D660,952 S *	5/2012	Spaggiari	D23/370
D704,819 S *	5/2014	Wang	D23/411
D706,477 S *	6/2014	Wang	D26/59
D710,489 S *	8/2014	Shurtleff	D23/377
D741,988 S *	10/2015	Pan	D23/377
D744,081 S *	11/2015	Wang	D23/411
D744,634 S *	12/2015	Wang	D23/411
D771,794 S *	11/2016	Wang	D23/411
D779,052 S *	2/2017	Gajewski	D23/411
D788,286 S *	5/2017	Busta	D23/411
2017/0045197 A1 *	2/2017	Rossi	F21V 1/08

* cited by examiner

Primary Examiner — Janice Hallmark

(74) *Attorney, Agent, or Firm* — Pai Patent & Trademark Law Firm; Chao-Chang David Pai

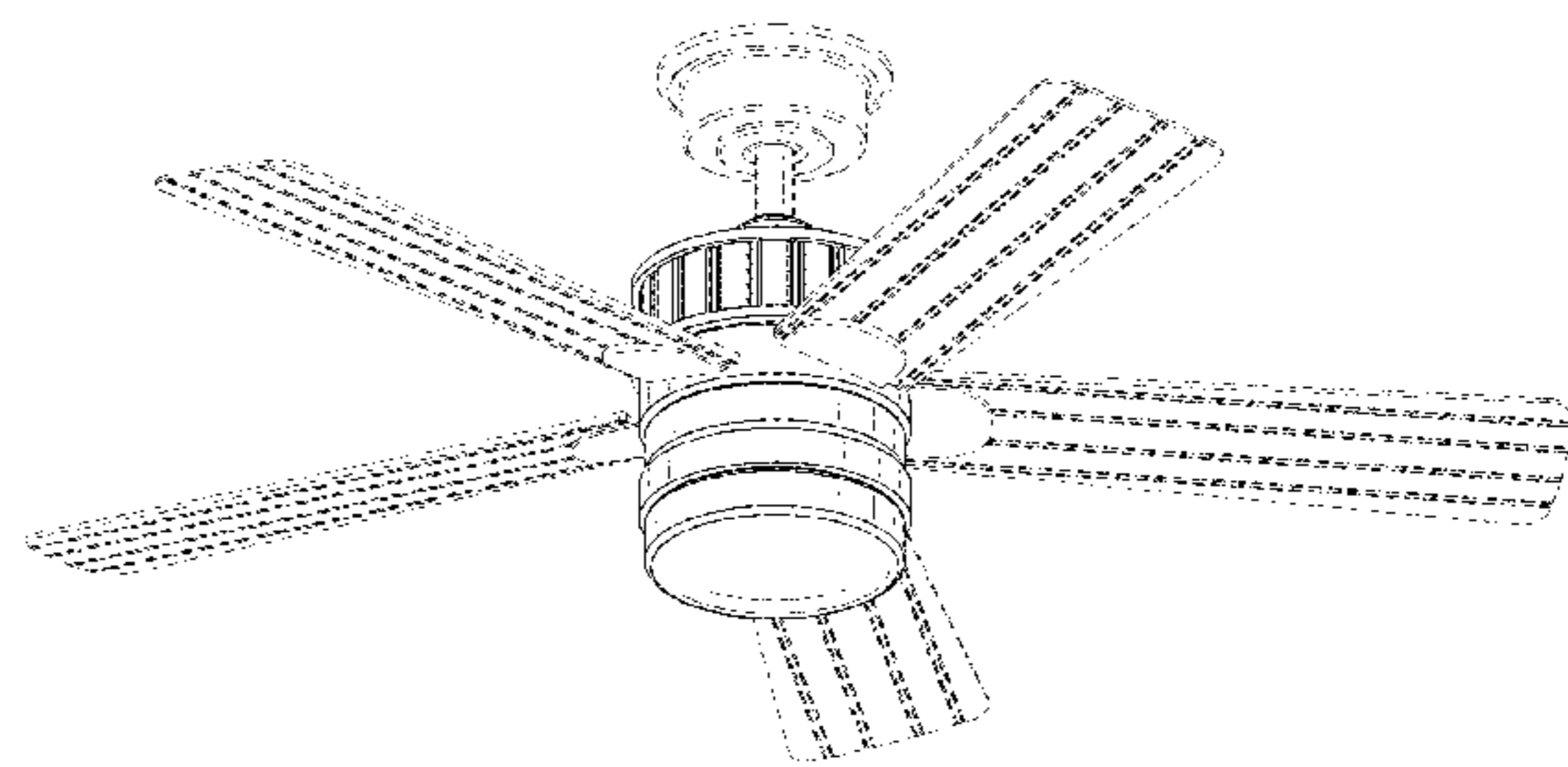
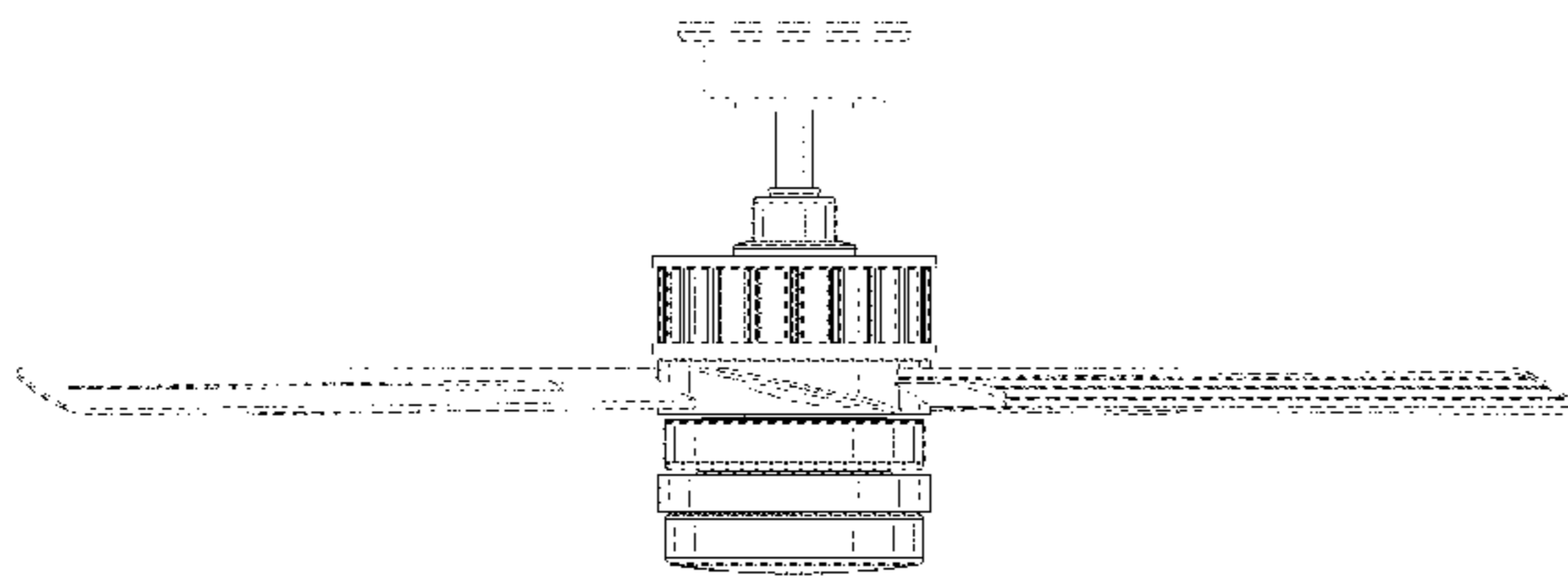
(57) **CLAIM**

The ornamental design for a ceiling fan motor housing with light kit, as shown and described.

DESCRIPTION

FIG. 1 is a front top perspective view of a ceiling fan motor housing with light kit showing my new design; FIG. 2 is a front elevational view thereof; FIG. 3 is a rear elevational view thereof; FIG. 4 is a left side elevational view thereof; FIG. 5 is a right side elevational view thereof; FIG. 6 is a top plan view thereof; FIG. 7 is a bottom plan view thereof; and, FIG. 8 is a front bottom perspective view thereof. The broken lines are for the purpose of illustrating environmental structure and form no part of the claimed design.

1 Claim, 6 Drawing Sheets



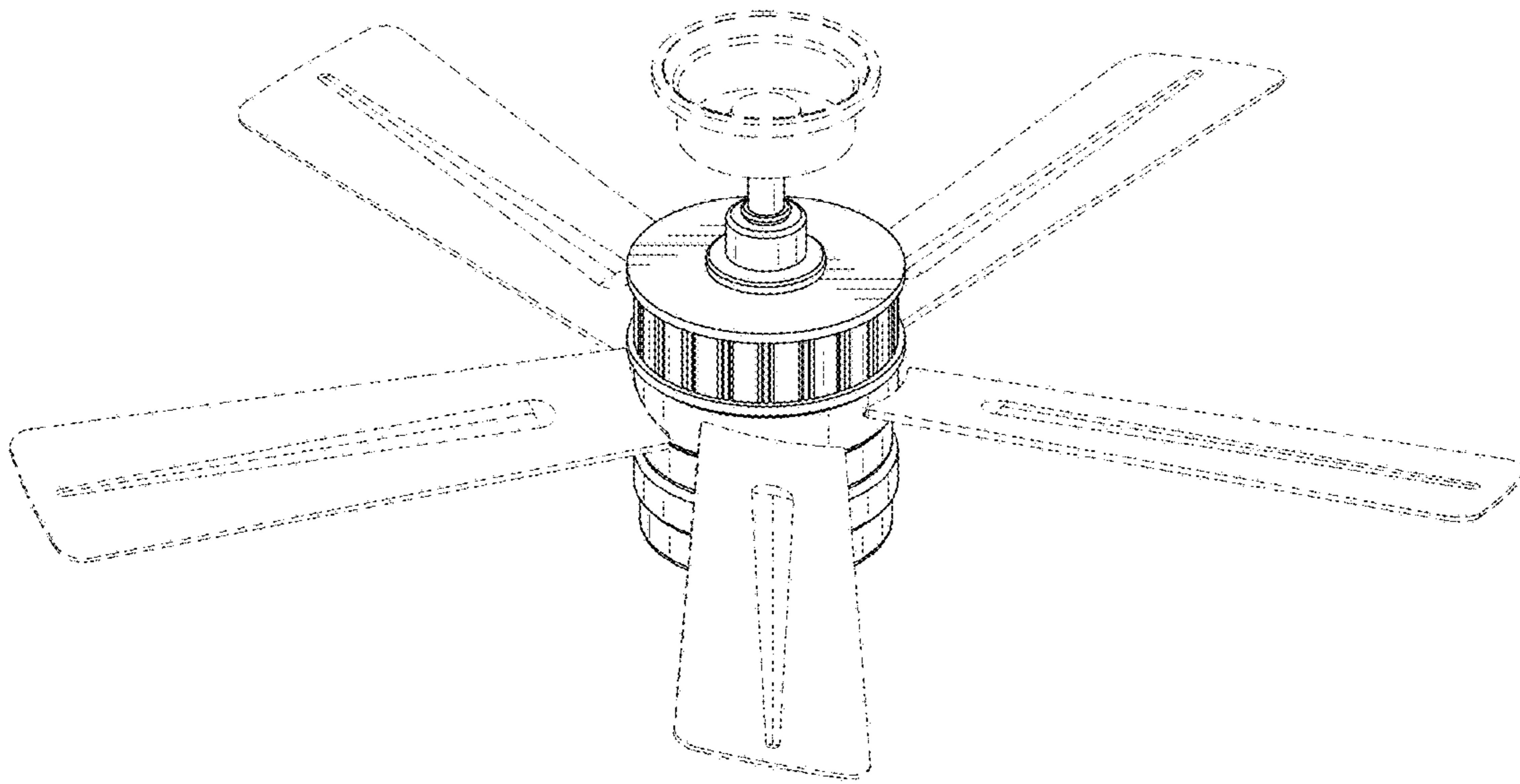


FIG. 1

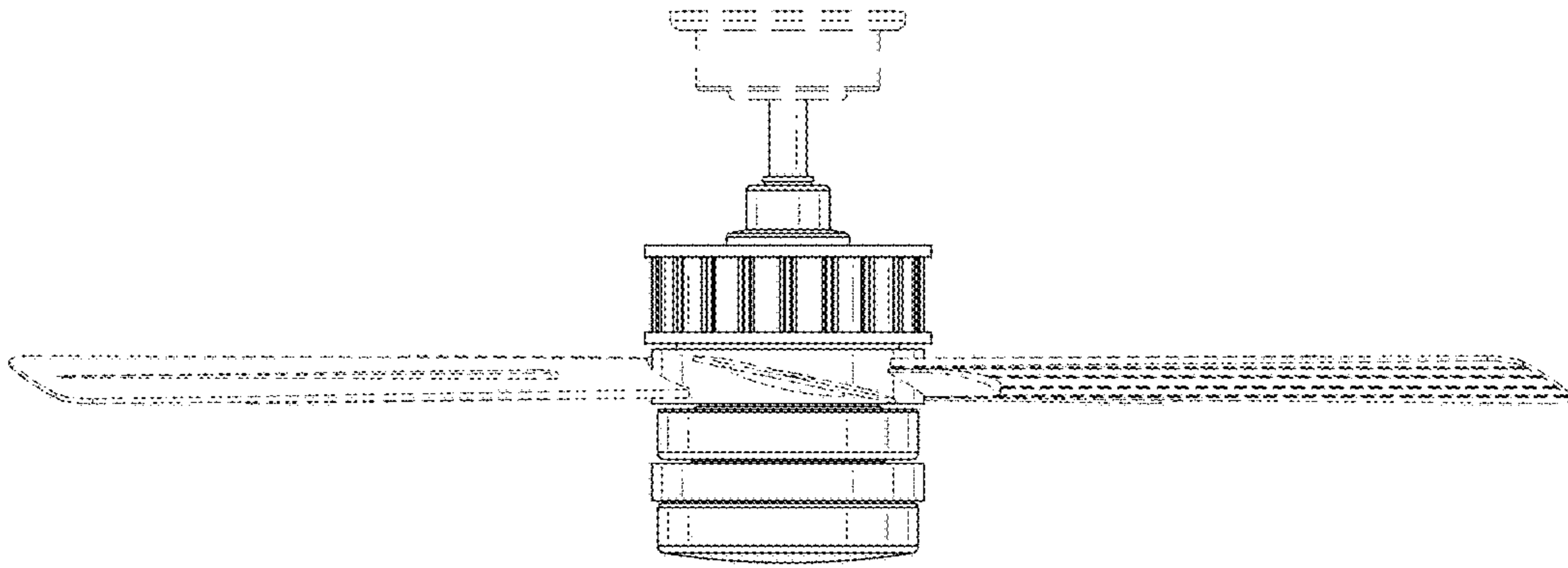


FIG. 2

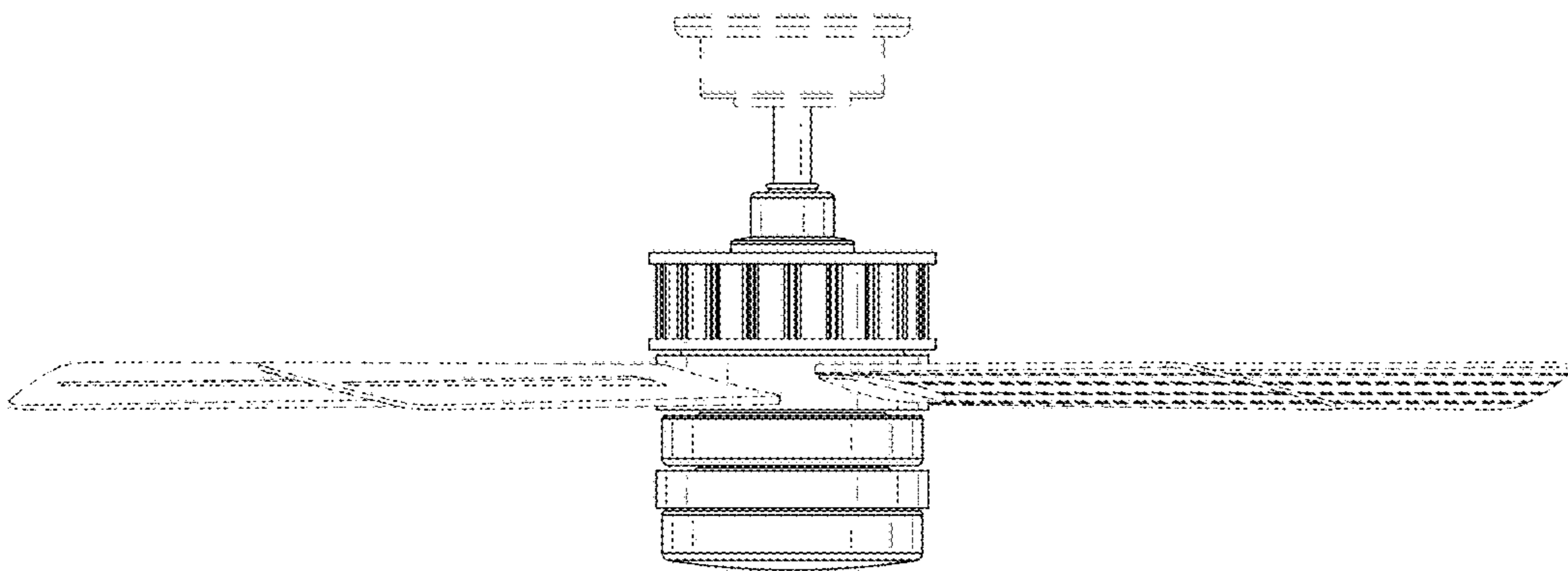


FIG. 3

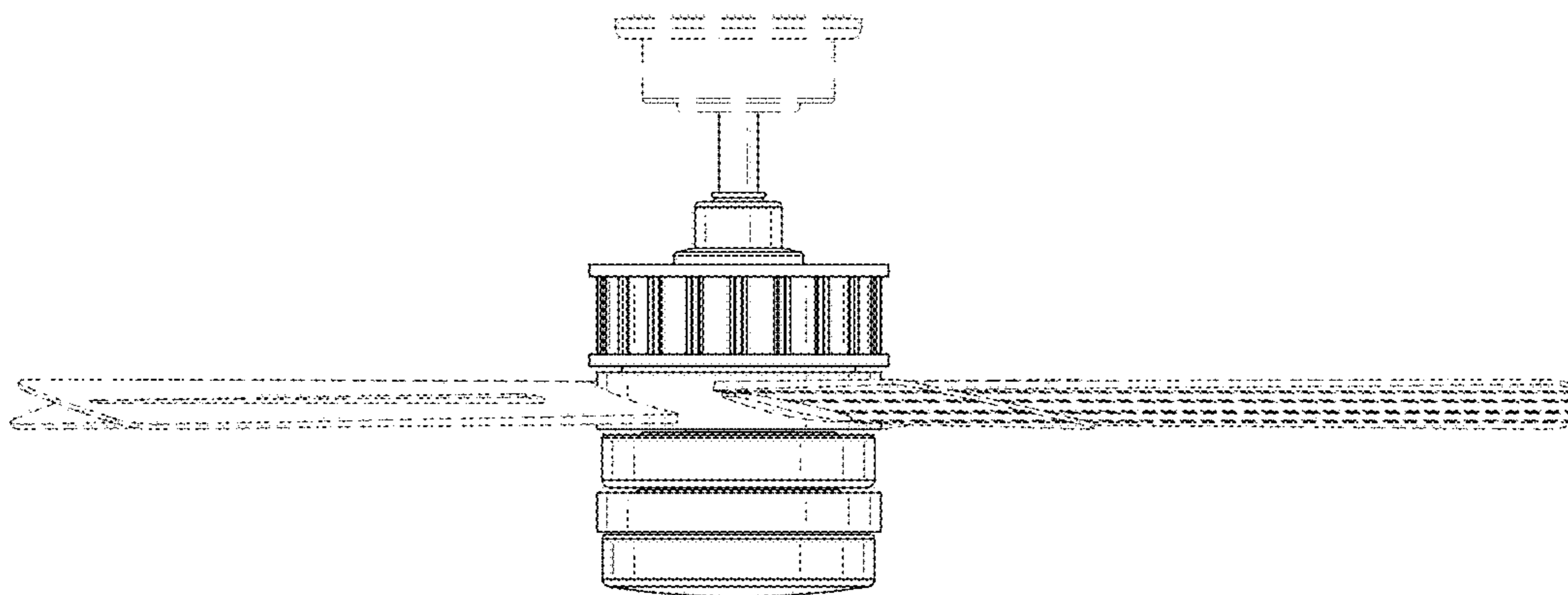


FIG. 4

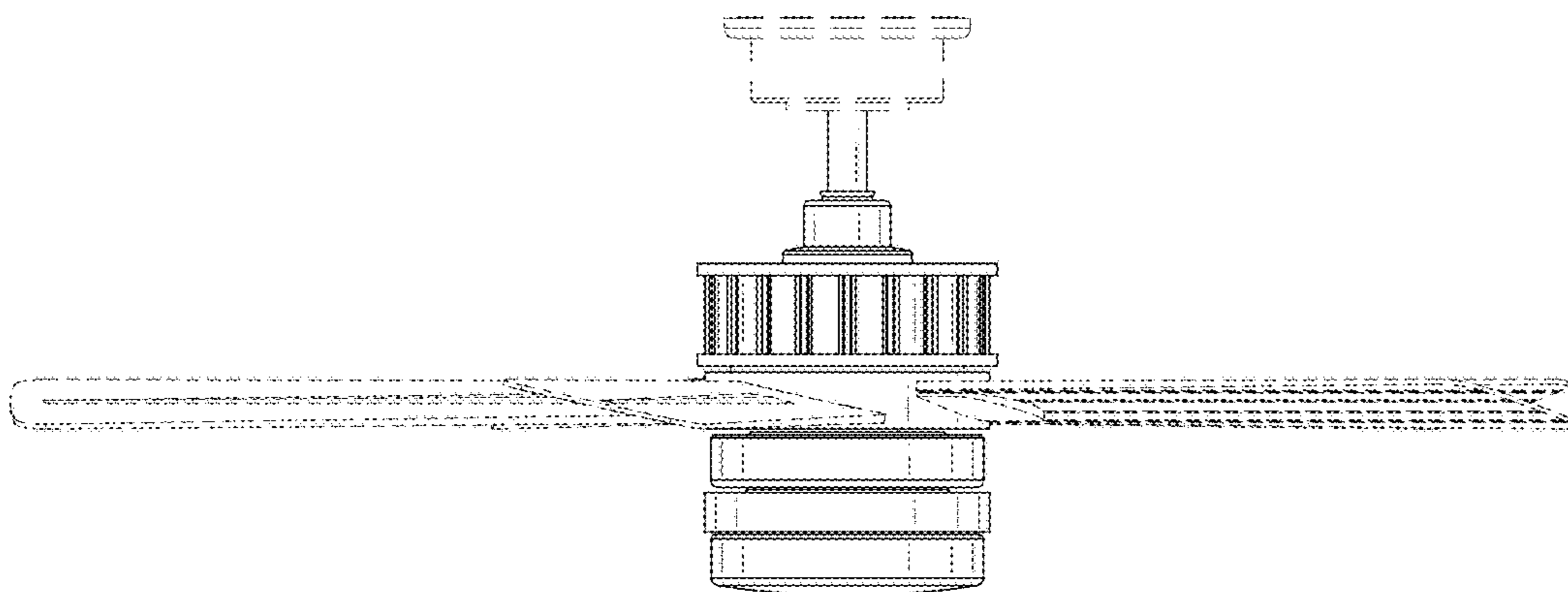


FIG. 5

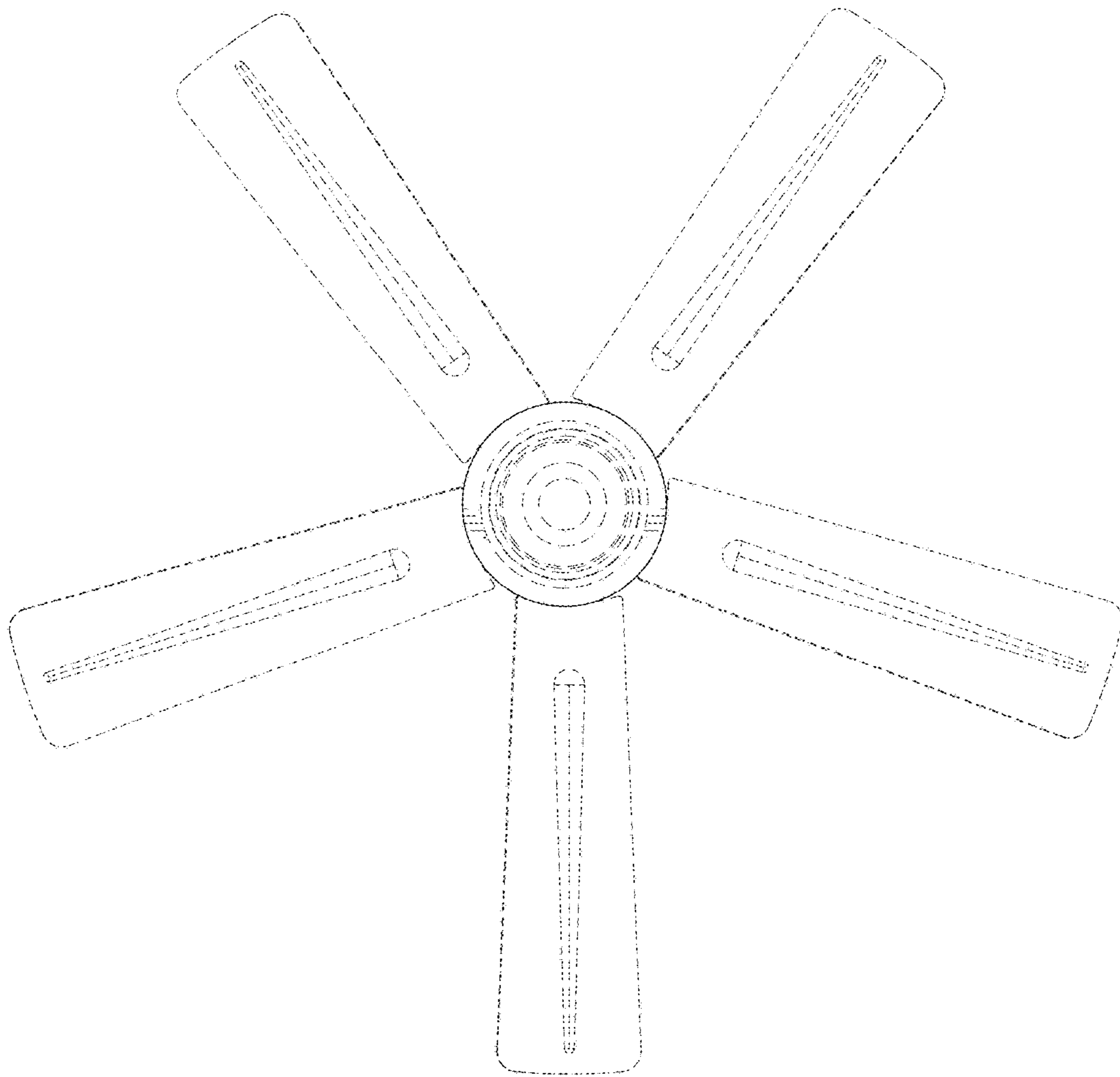


FIG. 6

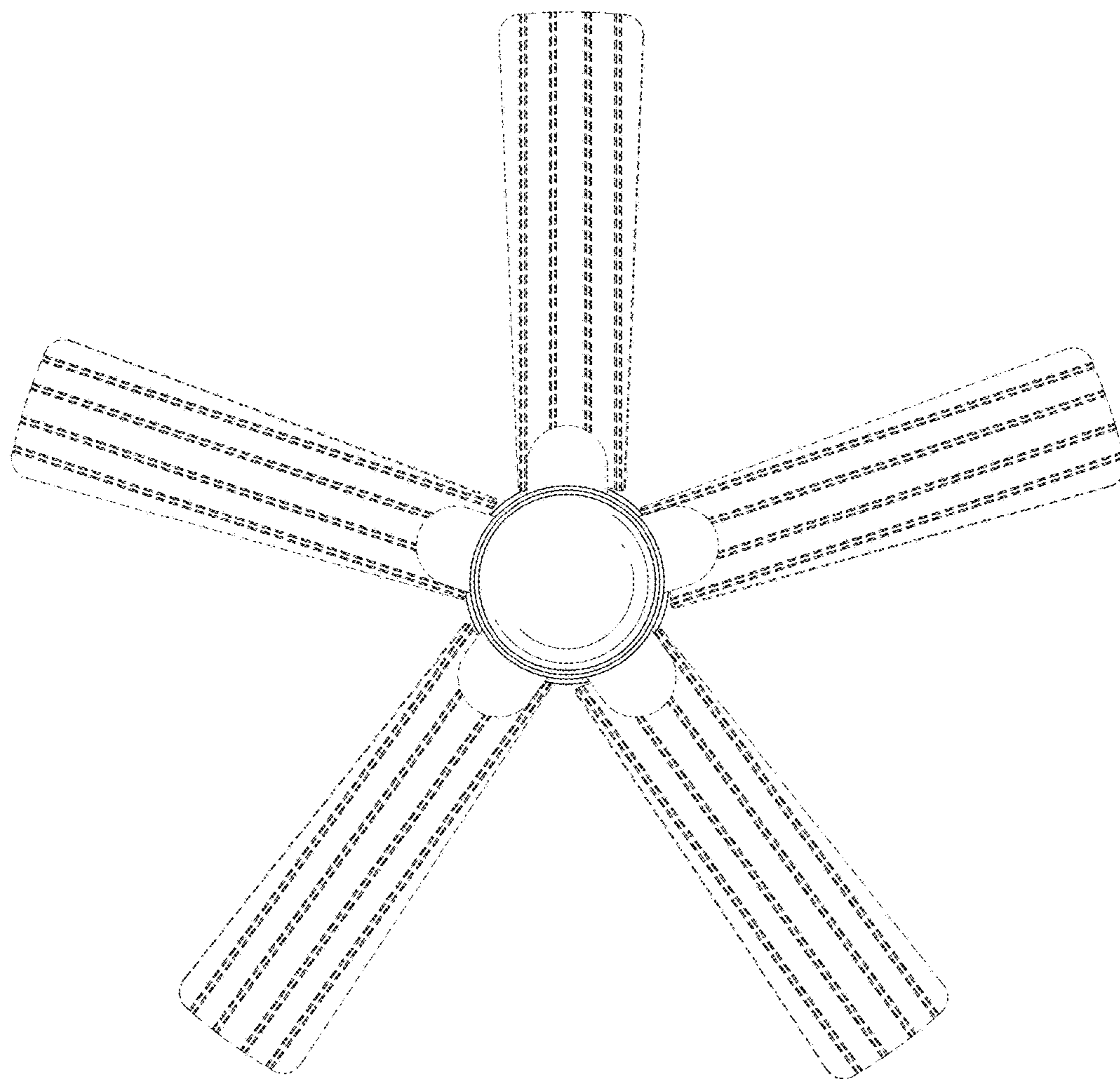


FIG. 7

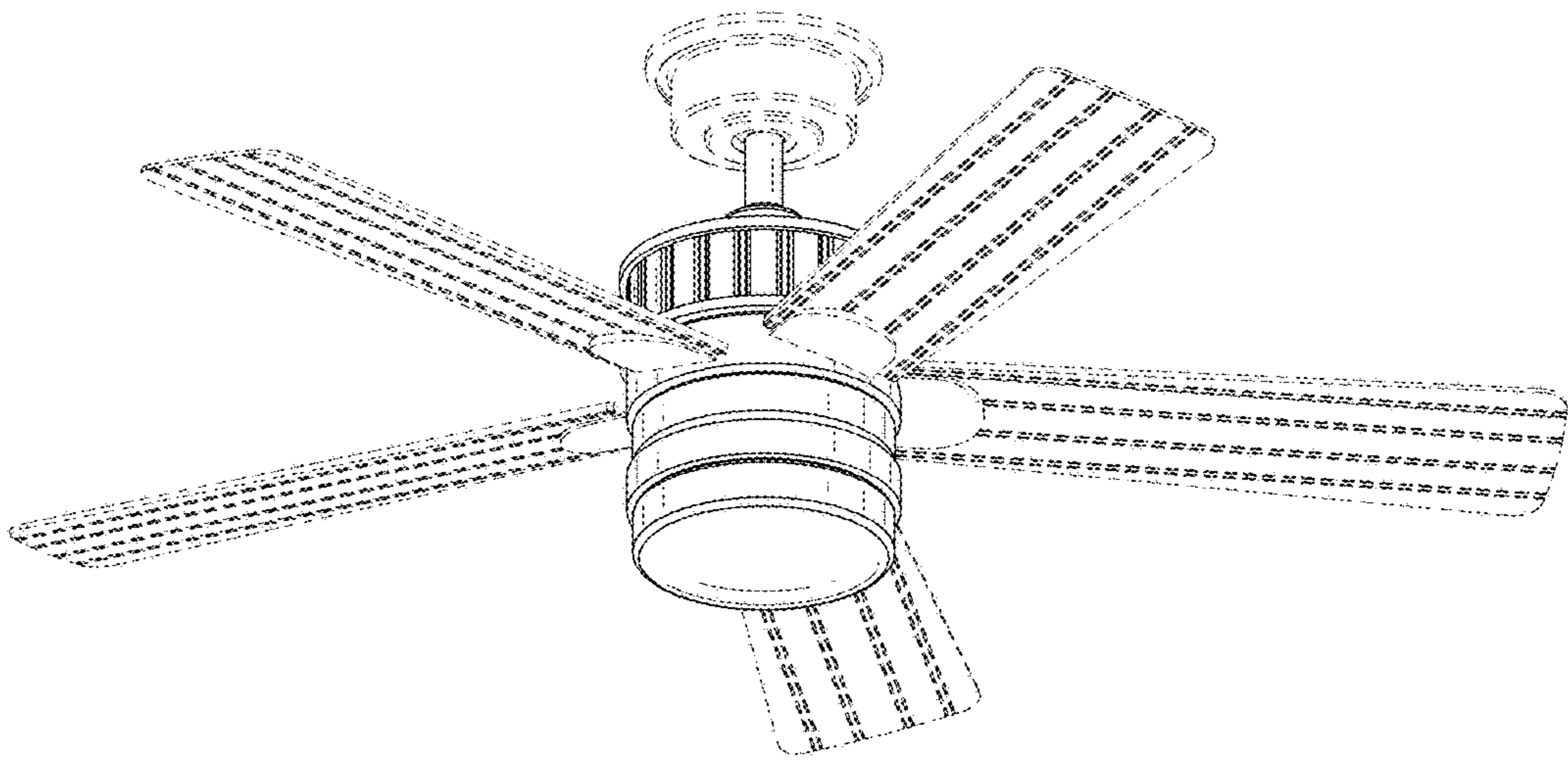


FIG. 8