



US00D801511S

(12) **United States Design Patent**
Wang

(10) **Patent No.:** **US D801,511 S**

(45) **Date of Patent:** **** Oct. 31, 2017**

(54) **CEILING FAN**

(71) Applicant: **AIR COOL INDUSTRIAL CO., LTD.**, Taichung (TW)

(72) Inventor: **Cliff Wang**, Taichung (TW)

(73) Assignee: **AIR COOL INDUSTRIAL CO., LTD.**, Taichung (TW)

(**) Term: **15 Years**

(21) Appl. No.: **29/578,837**

(22) Filed: **Sep. 25, 2016**

(51) **LOC (10) Cl.** **23-04**

(52) **U.S. Cl.**
USPC **D23/377; D23/385**

(58) **Field of Classification Search**
USPC D23/370, 377, 379, 385, 411, 413;
D26/59
CPC H02K 1/187; F04D 25/08; F04D 29/388;
F04D 29/34; F04D 25/088
See application file for complete search history.

(56) **References Cited**

U.S. PATENT DOCUMENTS

D483,850 S * 12/2003 Tai D23/377
D620,580 S * 7/2010 Chen D23/377
D635,236 S * 3/2011 Orozco D23/377

D643,105 S * 8/2011 Orozco D23/377
D671,202 S * 11/2012 Searle D23/377
D707,807 S * 6/2014 Pan D23/377
D762,836 S * 8/2016 Schulzman D23/377
2002/0145867 A1* 10/2002 Tsuji F04D 25/088
362/147
2016/0047391 A1* 2/2016 McPherson F04D 25/0693
417/423.7

* cited by examiner

Primary Examiner — Janice Hallmark

(74) *Attorney, Agent, or Firm* — Pai Patent & Trademark Law Firm; Chao-Chang David Pai

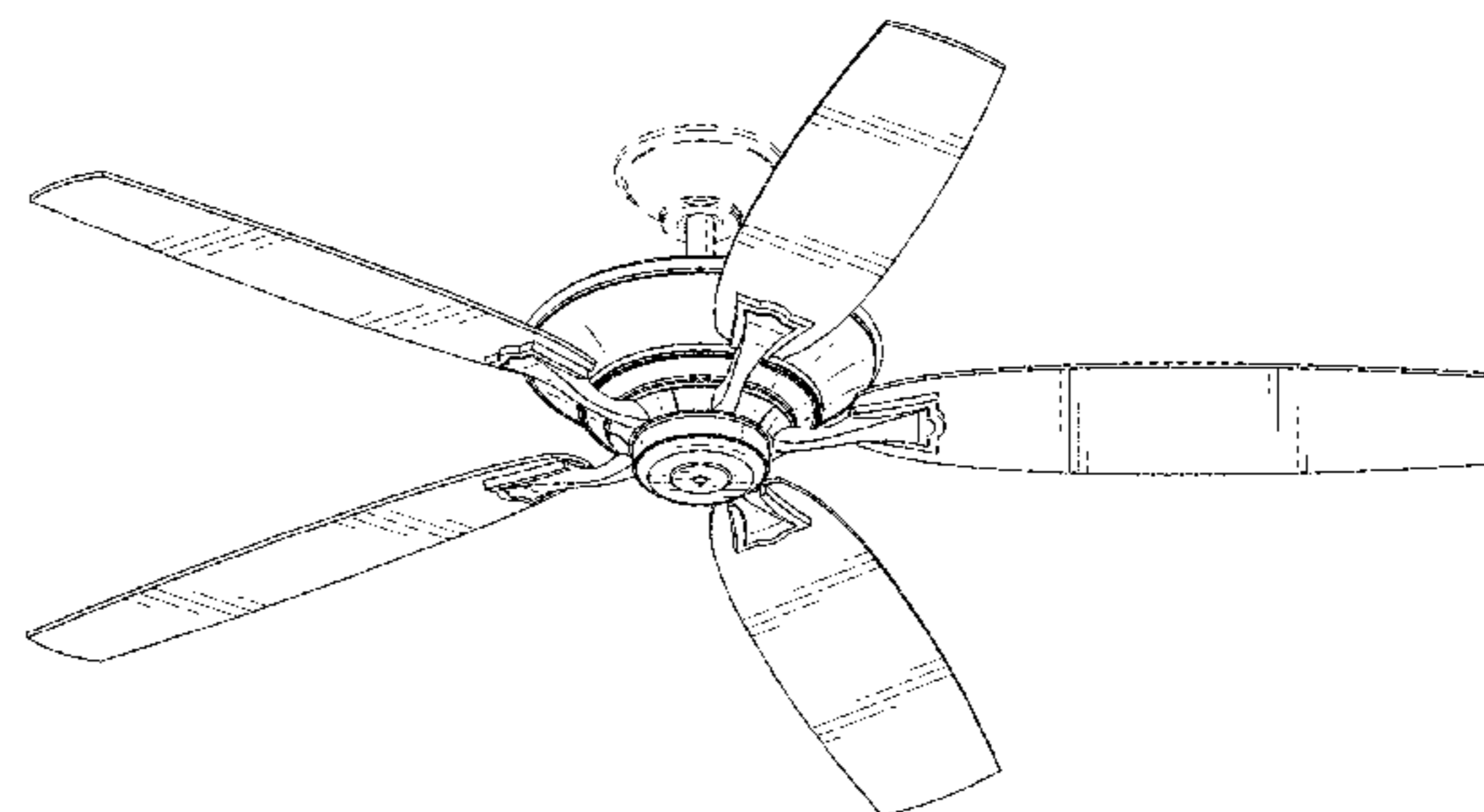
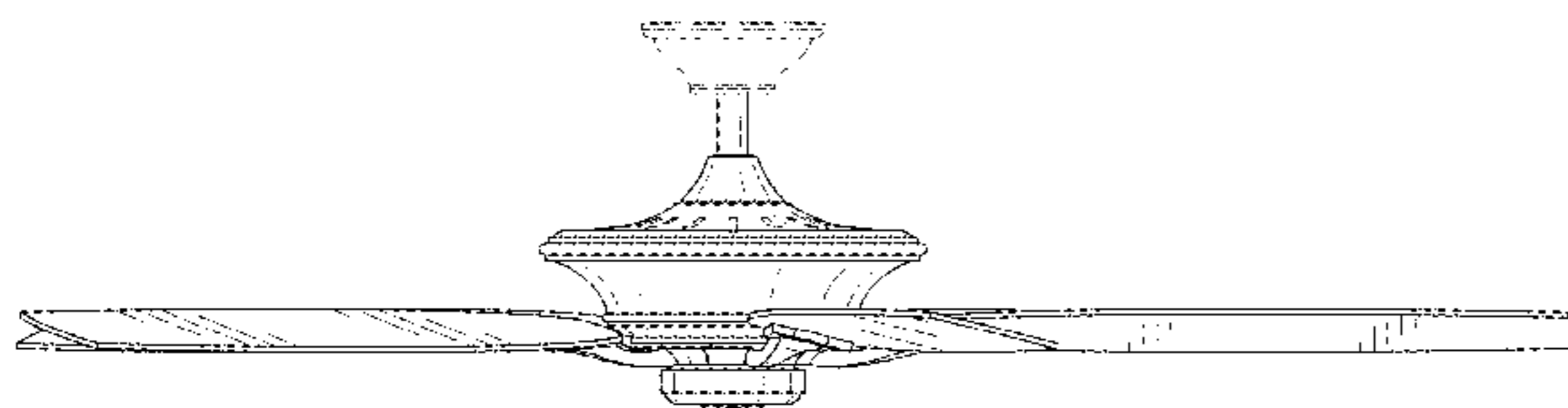
(57) **CLAIM**

The ornamental design for a ceiling fan, as shown and described.

DESCRIPTION

FIG. 1 is a front top perspective view of a ceiling fan showing my new design;
FIG. 2 is a front elevational view thereof;
FIG. 3 is a rear elevational view thereof;
FIG. 4 is a left side elevational view thereof;
FIG. 5 is a right side elevational view thereof;
FIG. 6 is a top plan view thereof;
FIG. 7 is a bottom plan view thereof; and,
FIG. 8 is a front bottom perspective view thereof.
The broken lines are for the purpose of illustrating environmental structure and form no part of the claimed design.

1 Claim, 6 Drawing Sheets



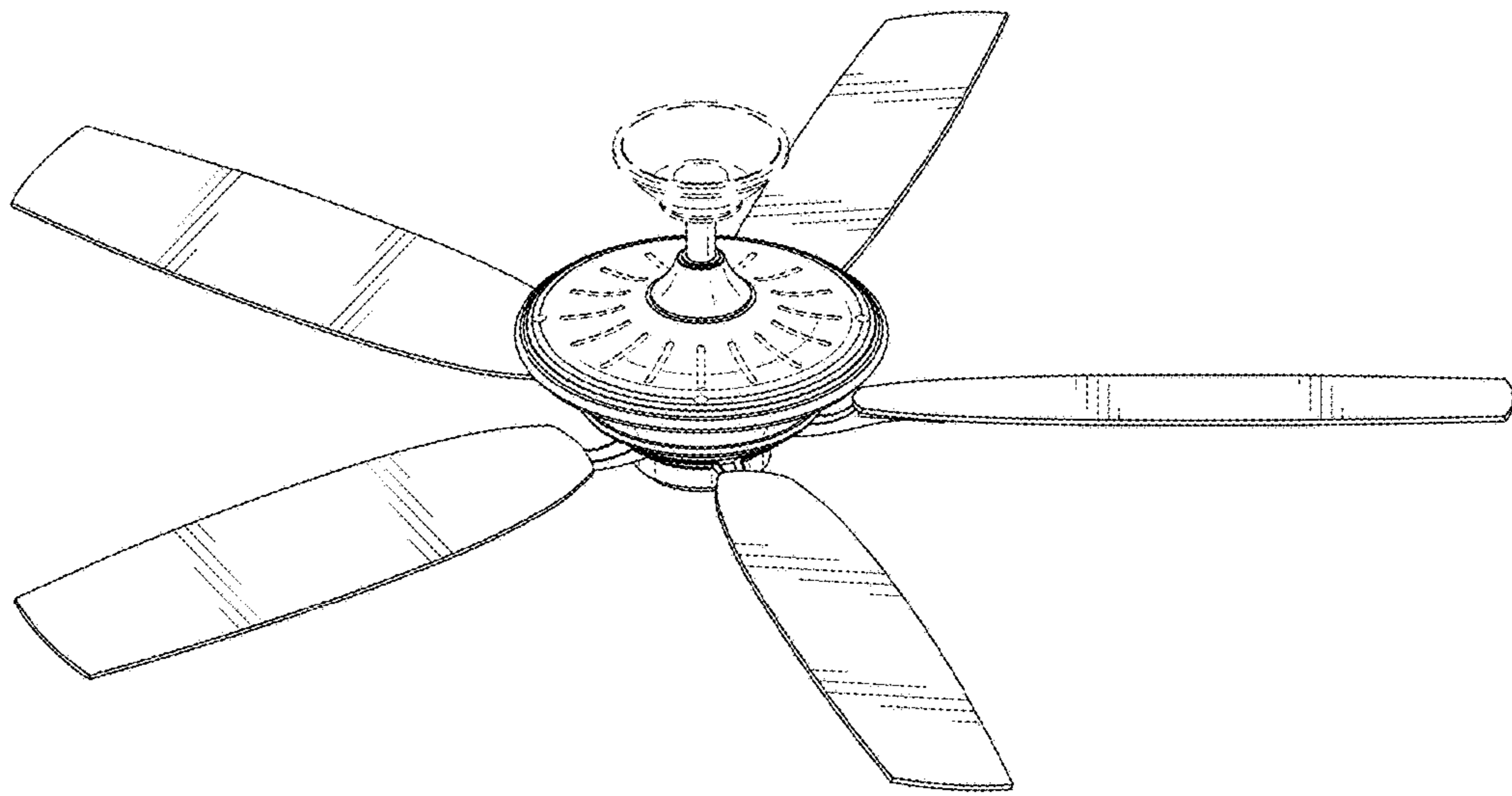


FIG. 1

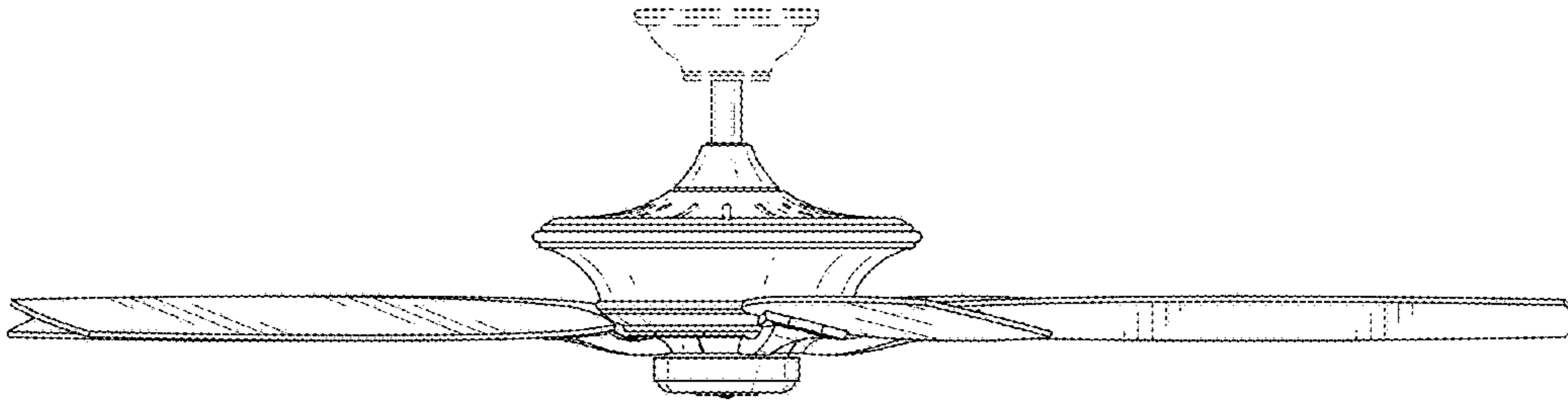


FIG. 2

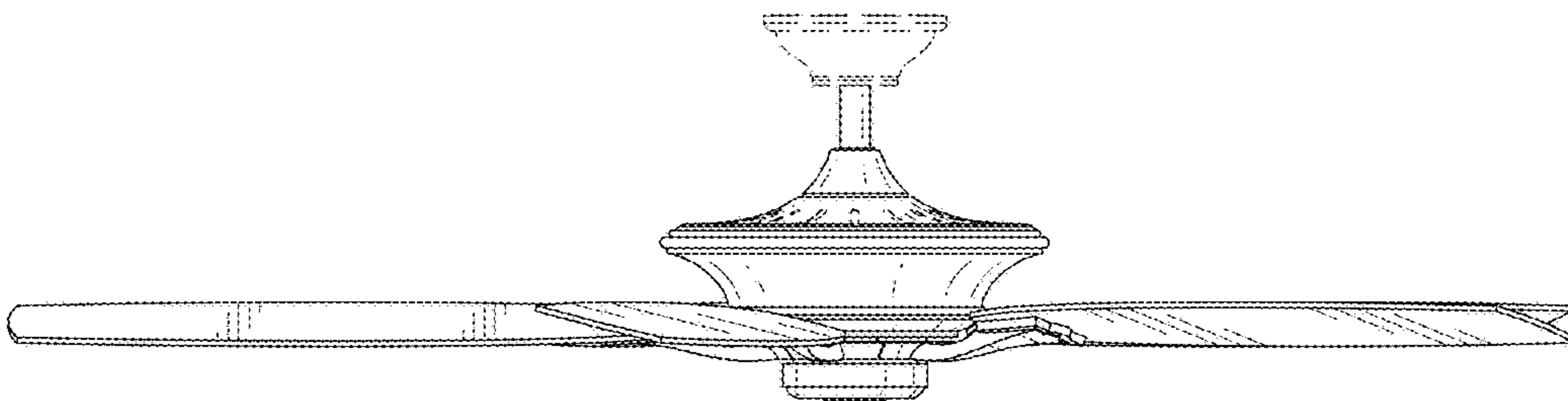


FIG. 3

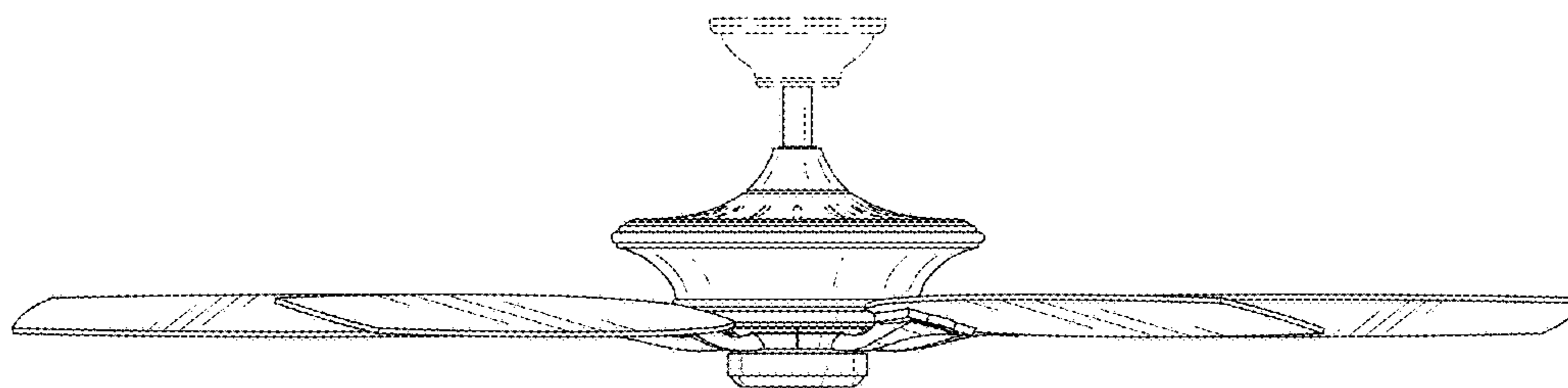


FIG. 4

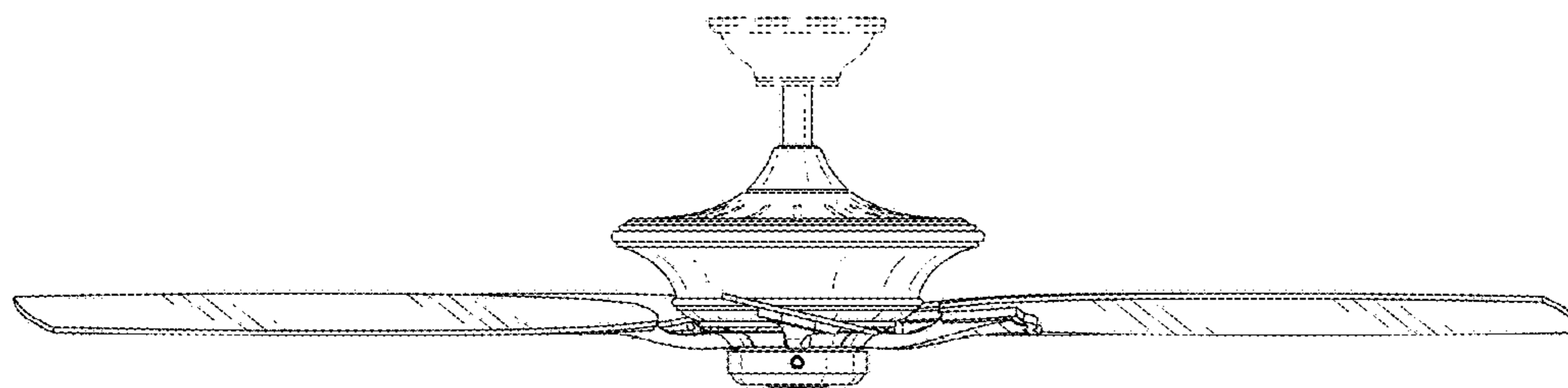


FIG. 5

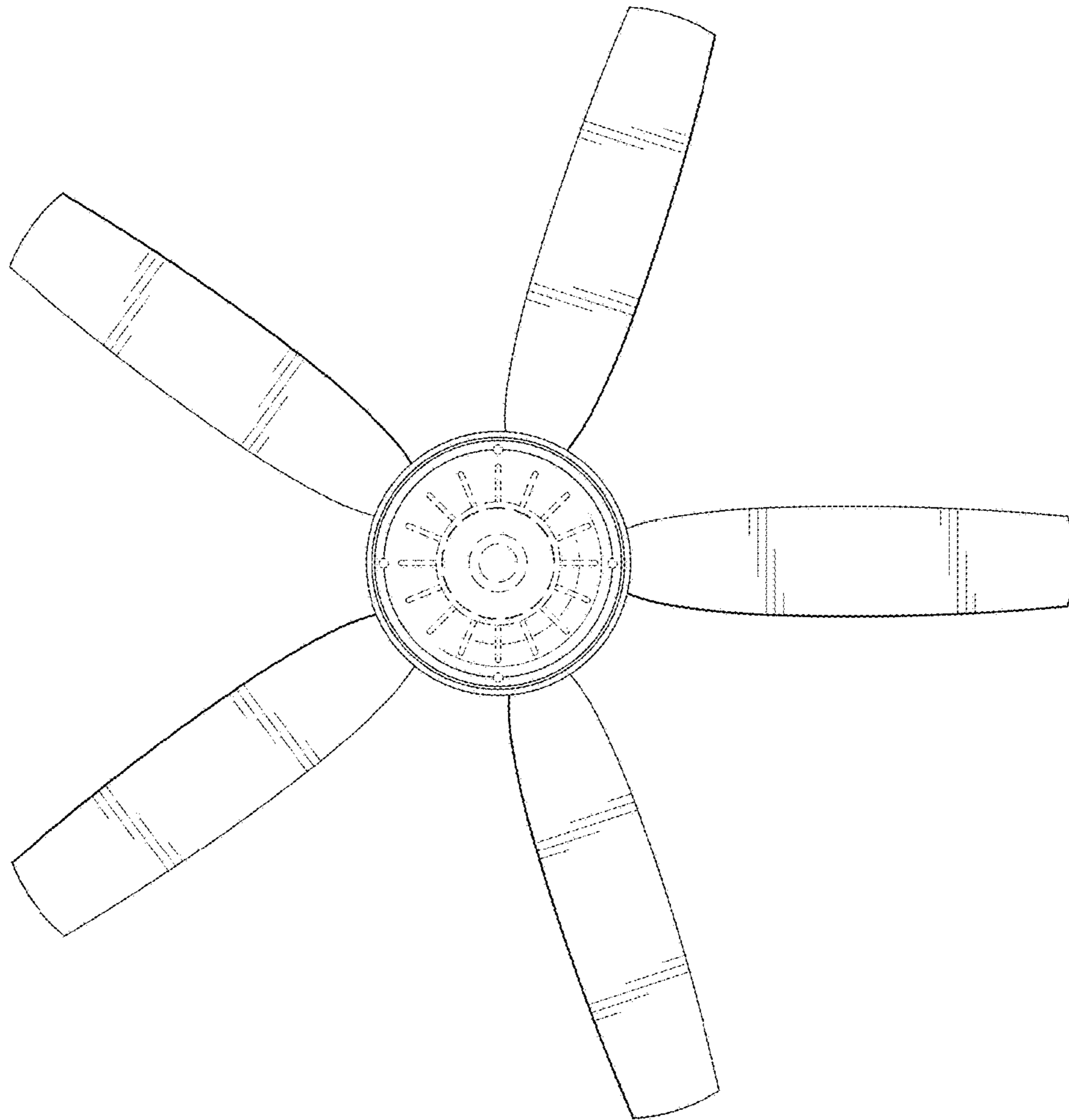


FIG. 6

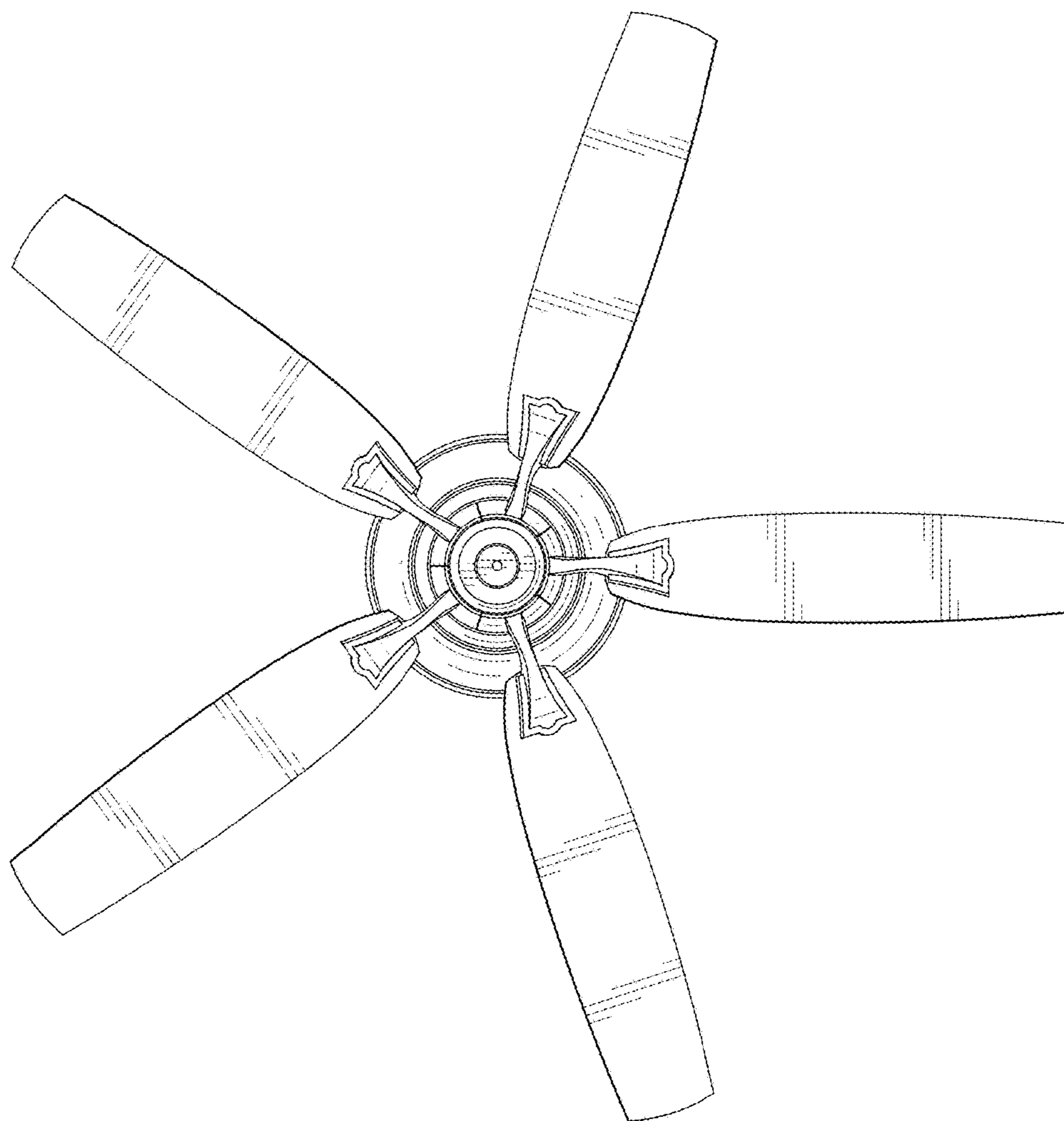


FIG. 7

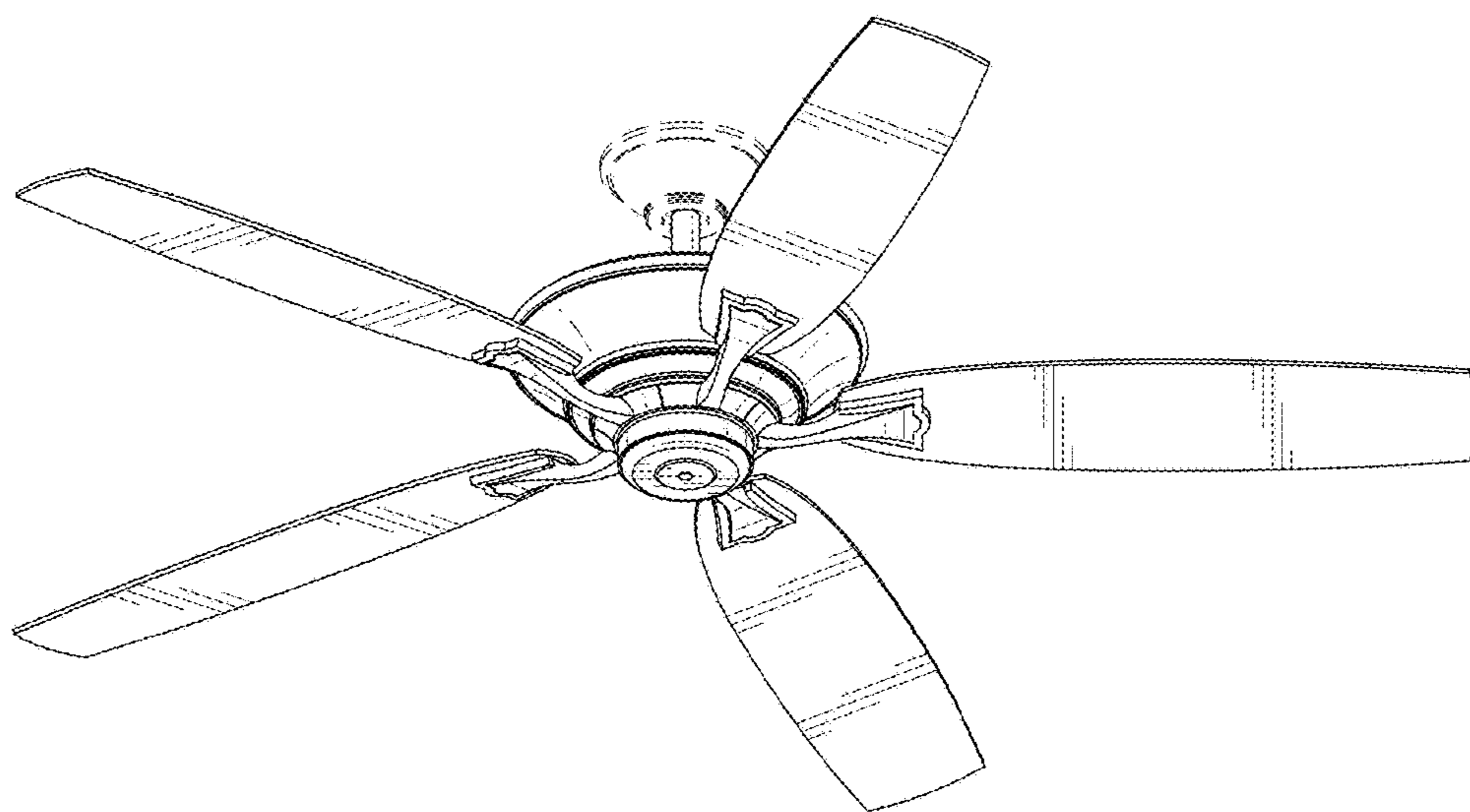


FIG. 8