



US00D801509S

(12) **United States Design Patent** (10) **Patent No.:** **US D801,509 S**
Weening et al. (45) **Date of Patent:** **** Oct. 31, 2017**

(54) **CARTRIDGE FOR AIR TREATMENT APPLIANCE**

(71) Applicant: **Prolitec Inc.**, Milwaukee, WI (US)

(72) Inventors: **Richard Weening**, Seattle, WA (US); **Victoria Leslie**, Seattle, WA (US); **Matthew Ansley**, Muskego, WI (US); **Sandra Barvaux**, Mercer Island, WA (US); **Nathan Sward**, Milwaukee, WI (US); **Andrew Williams**, Elm Grove, WI (US); **Kyle Swen**, San Carlos, CA (US); **David Whetstone**, San Francisco, CA (US)

(73) Assignee: **Prolitec Inc.**, Milwaukee, WI (US)

(**) Term: **15 Years**

(21) Appl. No.: **29/572,149**

(22) Filed: **Jul. 25, 2016**

(51) **LOC (10) Cl.** **28-99**

(52) **U.S. Cl.**
USPC **D23/366**

(58) **Field of Classification Search**
USPC D23/209, 332-336, 342, 351, 352,
D23/355-366, 369, 370; D14/168,
D14/170-172, 188, 496
CPC A62B 21/00; B01D 46/0002; B01D 46/10;
F02M 35/04; F24F 13/20
See application file for complete search history.

(56) **References Cited**

U.S. PATENT DOCUMENTS

D241,847 S	*	10/1976	Jones	D23/369
D389,905 S	*	1/1998	Montague, III	D23/314
D402,735 S	*	12/1998	Kott	D23/209
D497,406 S	*	10/2004	King	D23/209
D506,000 S	*	6/2005	Christianson	D23/364
D716,427 S	*	10/2014	Lim	D23/364
D717,420 S	*	11/2014	Von Seggern	D23/365

(Continued)

OTHER PUBLICATIONS

Prolitec Aera found online [May 18, 2017] <https://aeraforhome.com/>.*

Primary Examiner — Robert M Spear

Assistant Examiner — John Voytek

(74) *Attorney, Agent, or Firm* — Seed IP Law Group LLP

(57) **CLAIM**

The ornamental design for a cartridge for an air treatment appliance, substantially as shown and described.

DESCRIPTION

FIG. 1 is a top isometric view of a cartridge for an air treatment appliance, showing one embodiment of our new design.

FIG. 2 is a bottom isometric view thereof.

FIG. 3 is a front elevational view thereof.

FIG. 4 is a rear elevational view thereof.

FIG. 5 is a left side elevational view thereof.

FIG. 6 is a right side elevational view thereof.

FIG. 7 is a top plan view thereof.

FIG. 8 is a bottom plan view thereof.

FIG. 9 is a top isometric view of a cartridge for an air treatment appliance, showing another embodiment of our new design.

FIG. 10 is a bottom isometric view thereof.

FIG. 11 is a front elevational view thereof.

FIG. 12 is a rear elevational view thereof.

FIG. 13 is a left side elevational view thereof.

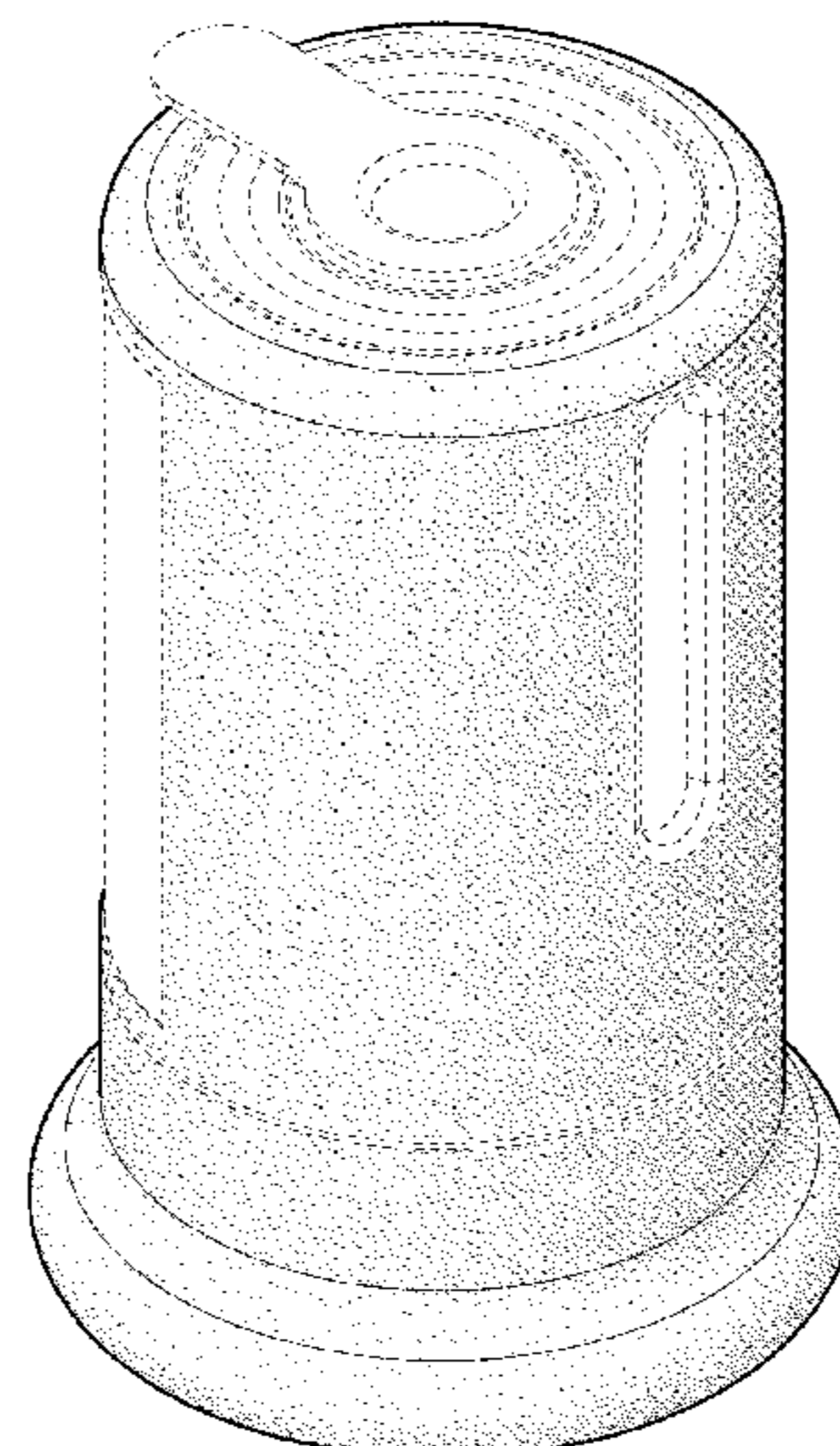
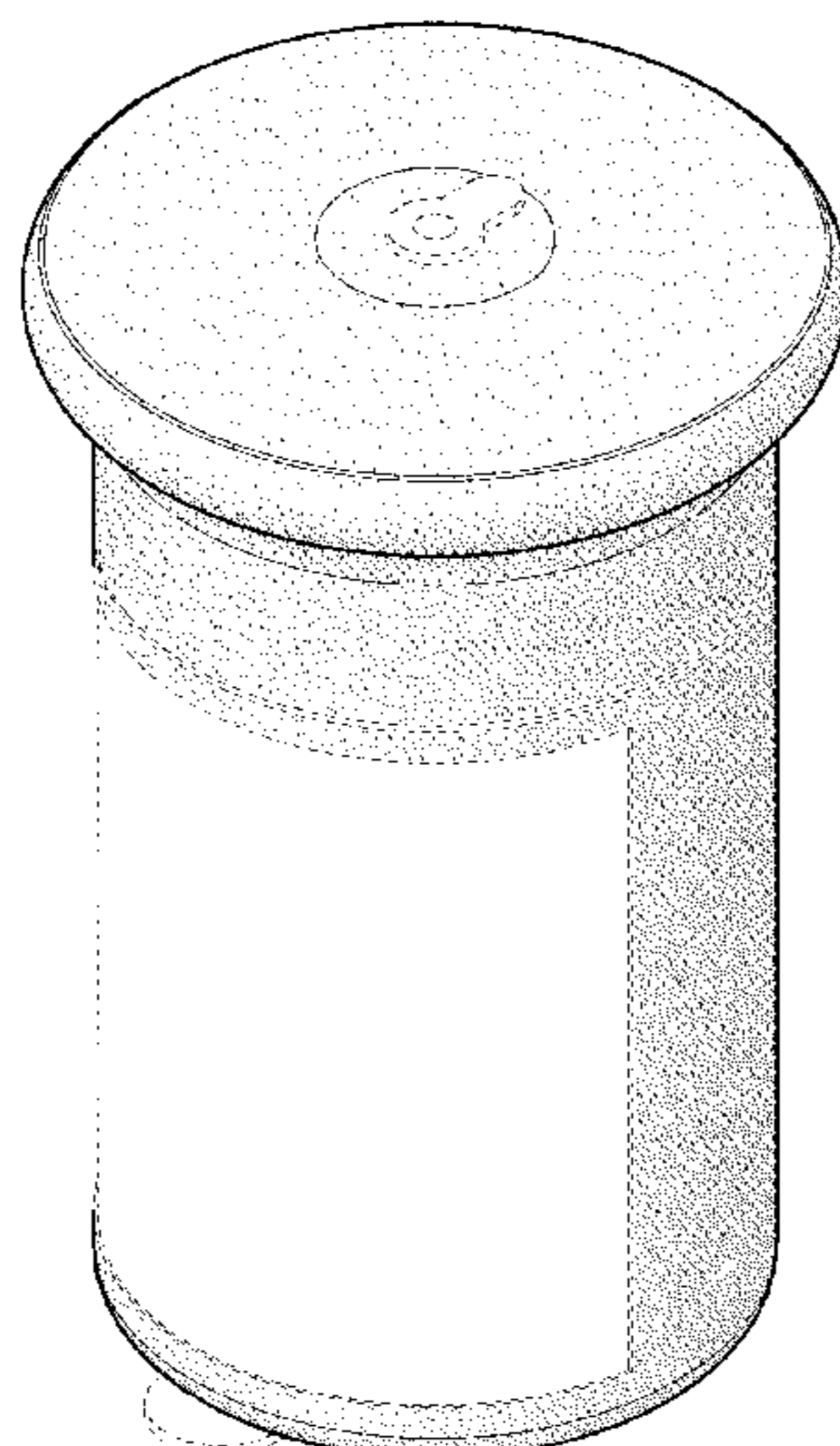
FIG. 14 is a right side elevational view thereof.

FIG. 15 is a top plan view thereof; and,

FIG. 16 is a bottom plan view thereof.

The broken lines adjacent to stippled surfaces depict the claim boundaries and form no part of the claim; all other broken lines depict environment and form no part of the claim.

1 Claim, 8 Drawing Sheets



(56)

References Cited

U.S. PATENT DOCUMENTS

D724,191 S *	3/2015	Yoo	D23/355
D726,869 S *	4/2015	Lepine	D23/209
D735,294 S *	7/2015	Reid	D23/209
D752,732 S *	3/2016	Ansley	D23/366
D767,715 S *	9/2016	Kemper	D23/209
2016/0135386 A1 *	5/2016	Merz	A01G 9/12 47/70

* cited by examiner

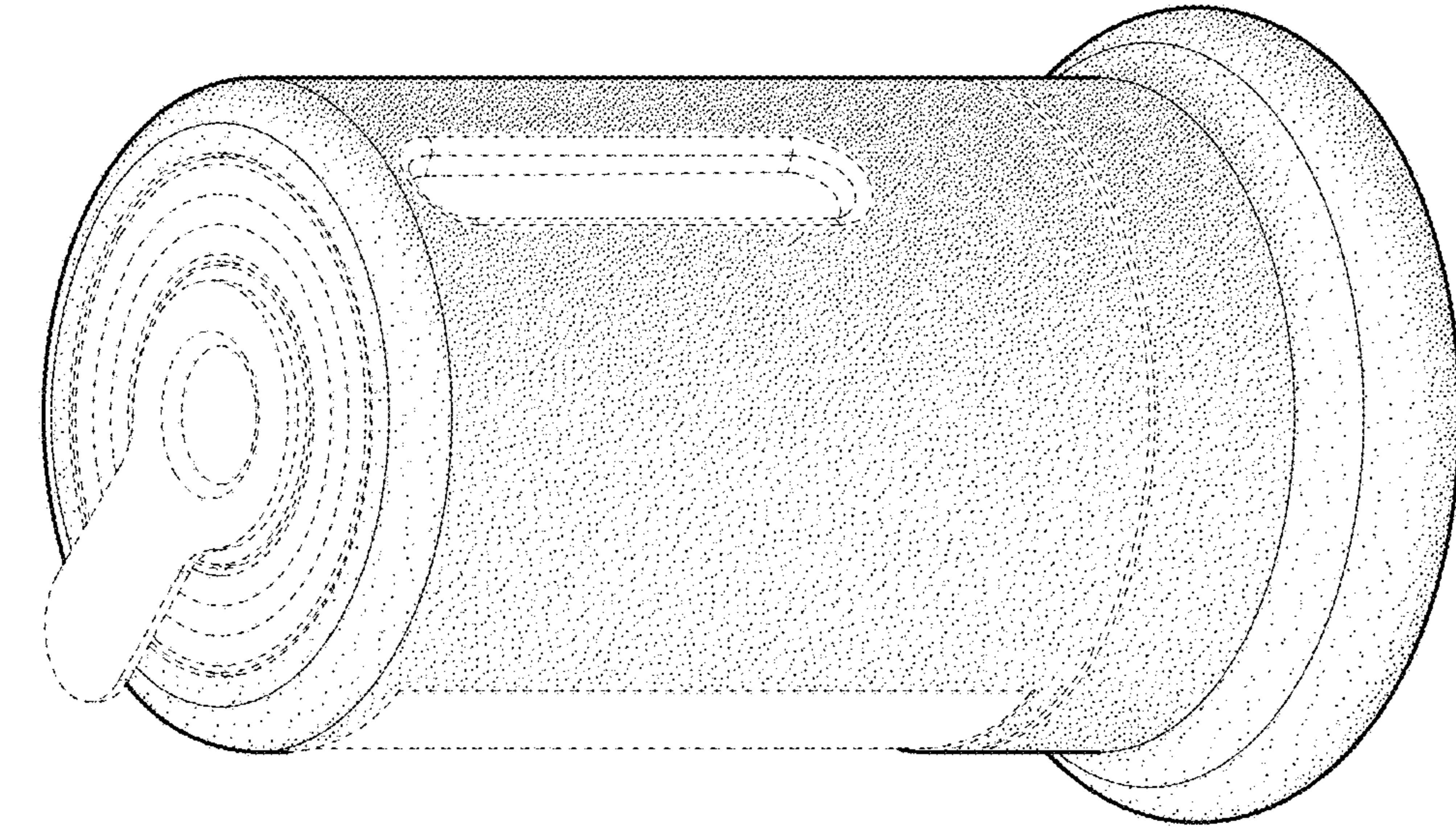


FIG. 1

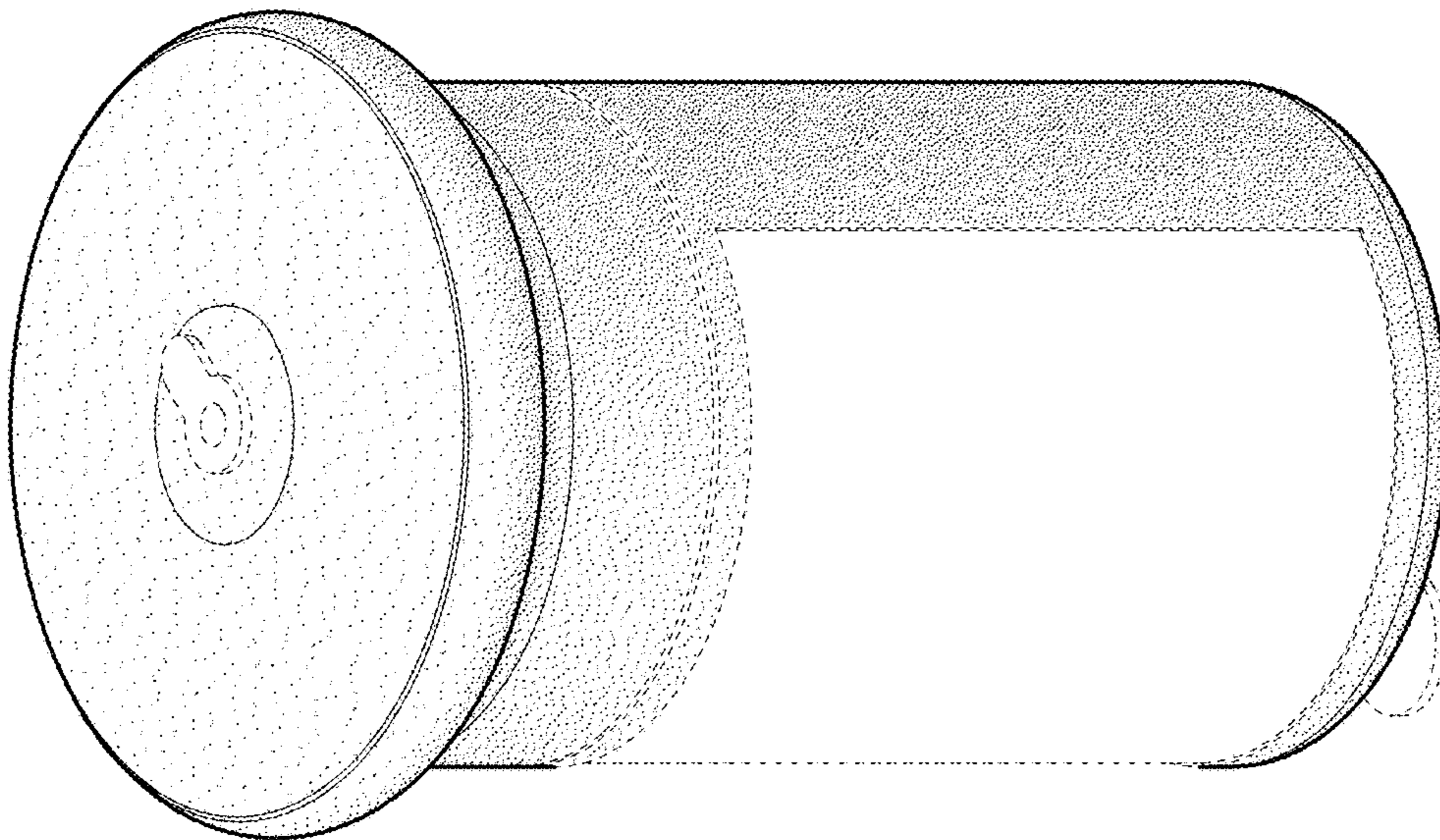


FIG. 2

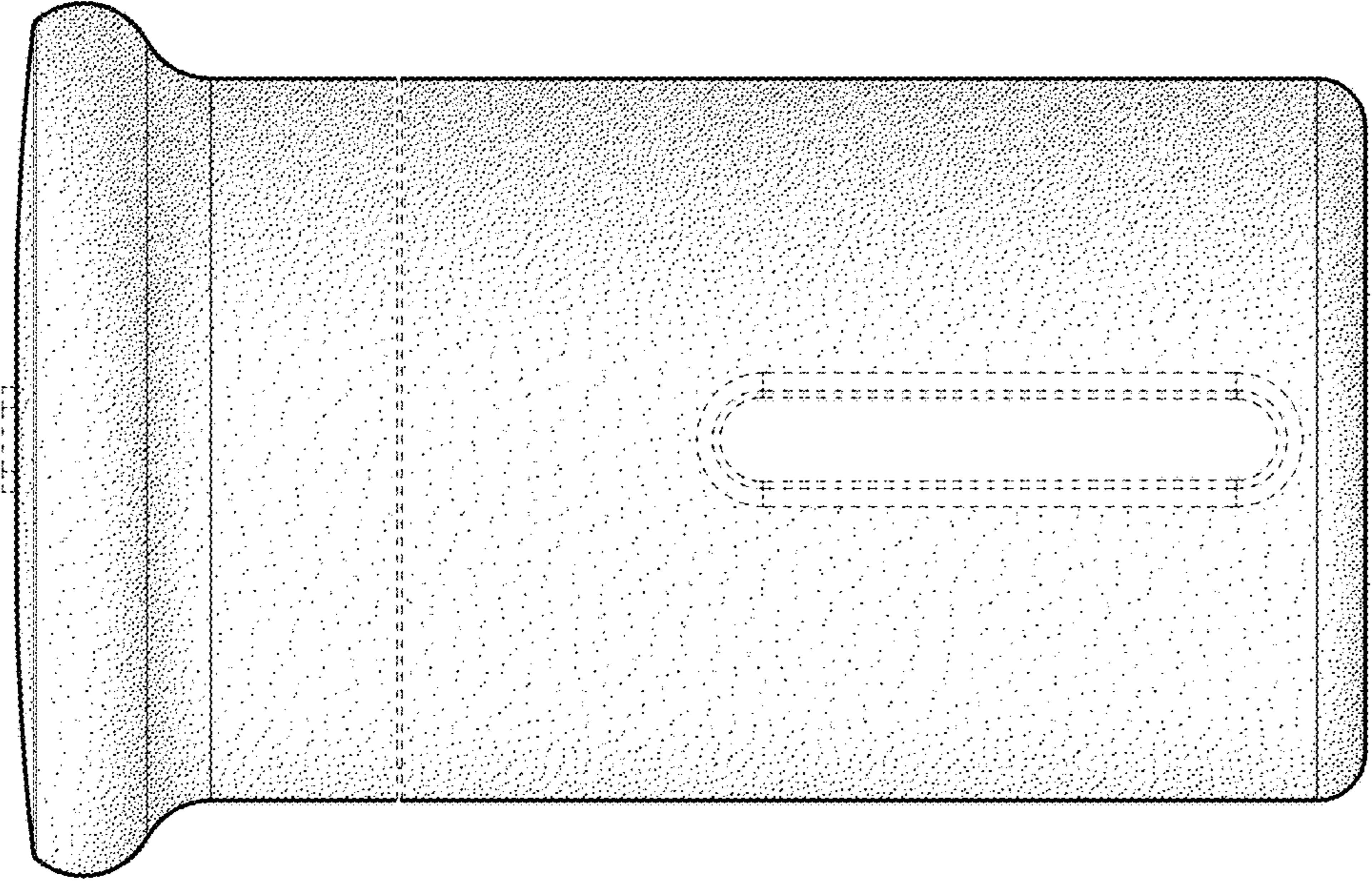


FIG. 4

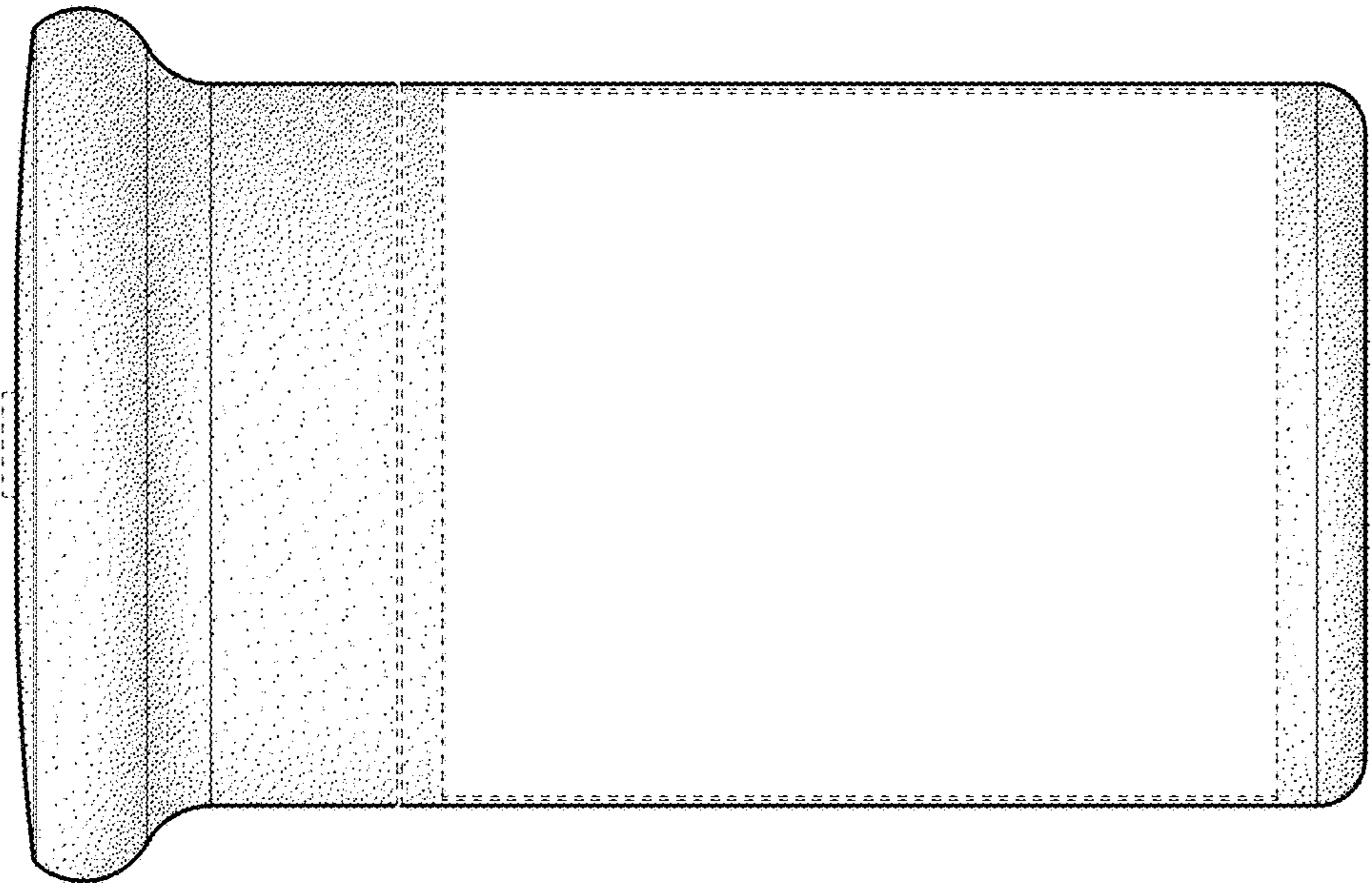


FIG. 3

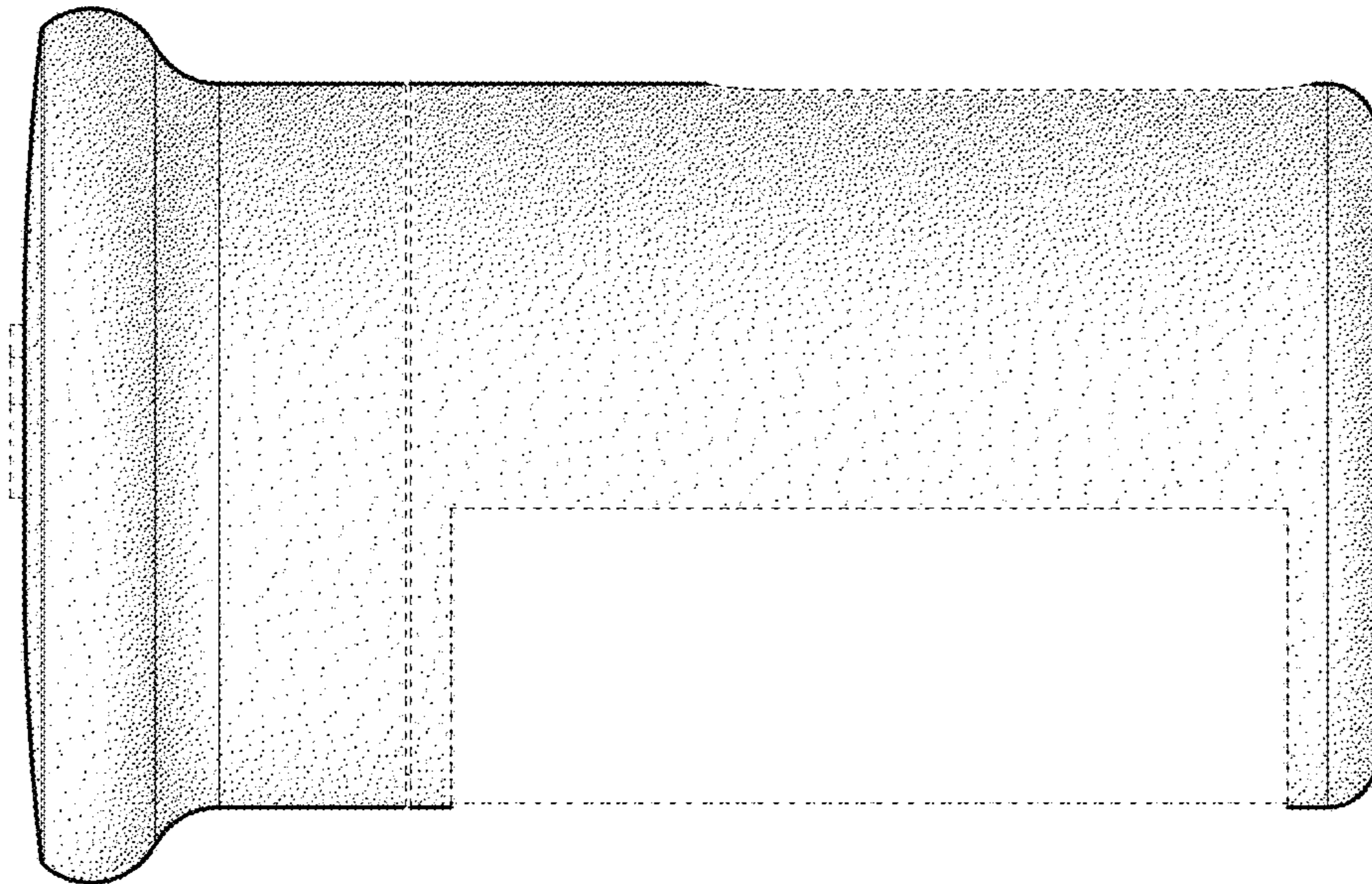


FIG. 6

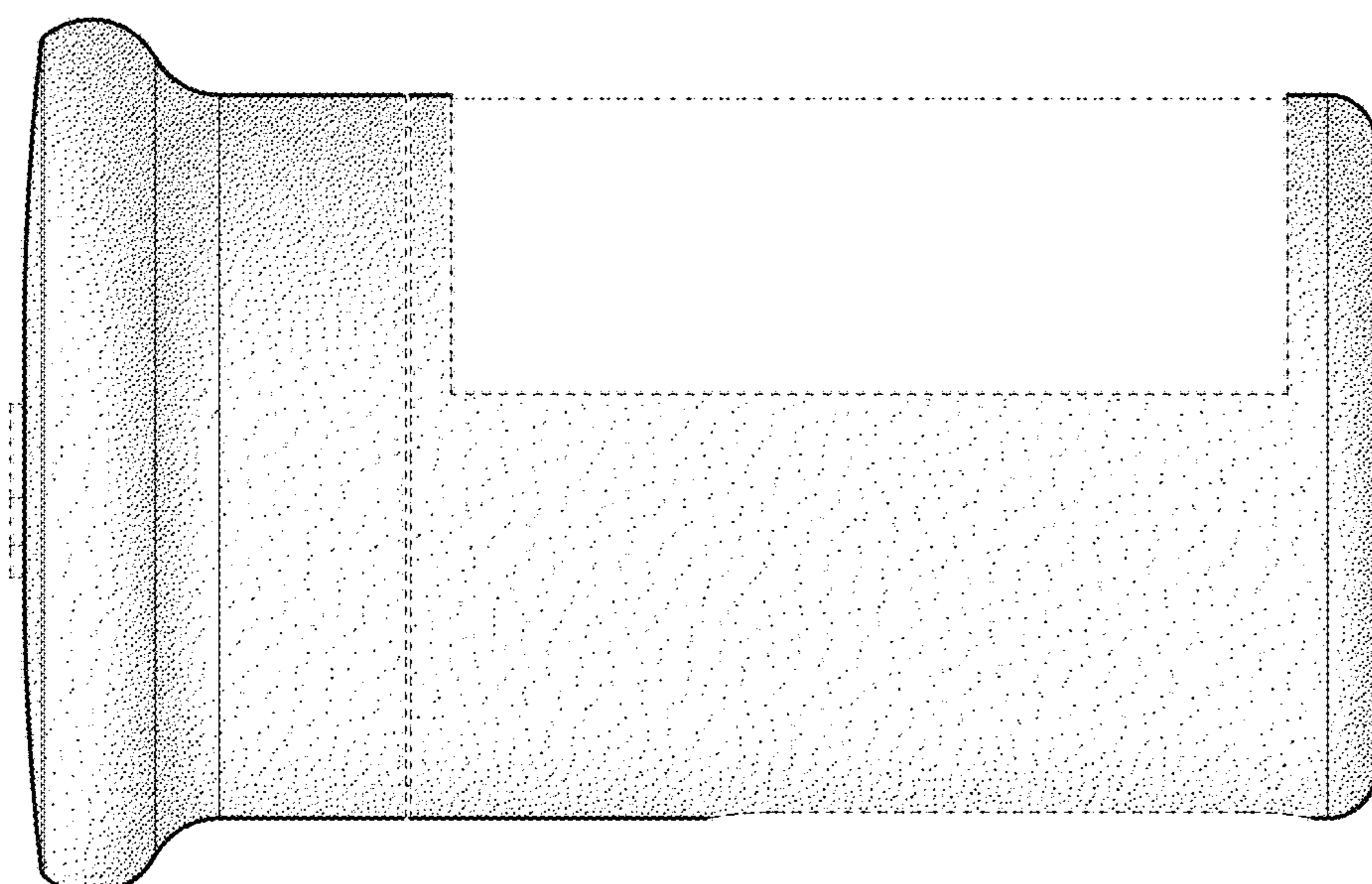


FIG. 5

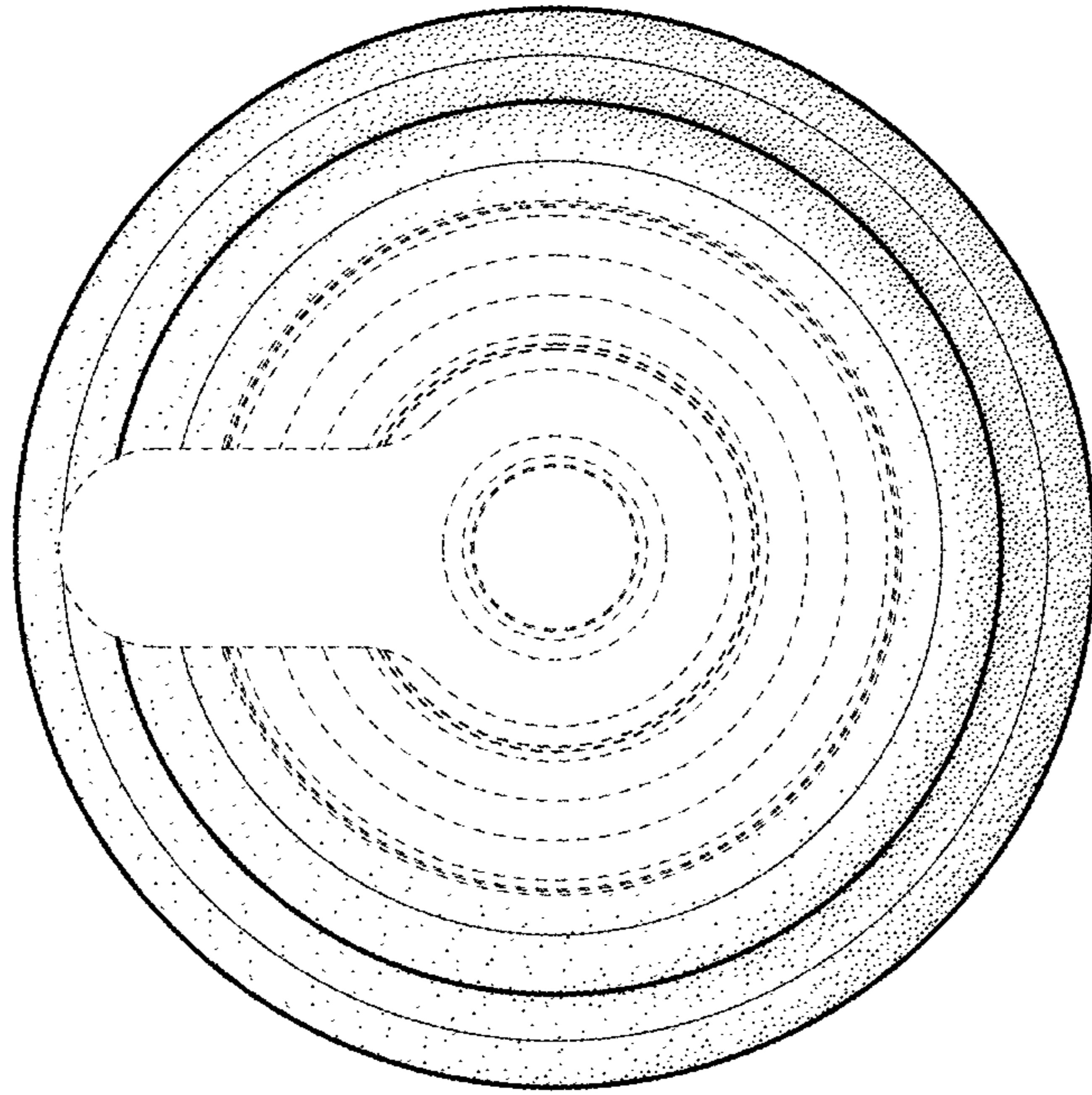


FIG. 8

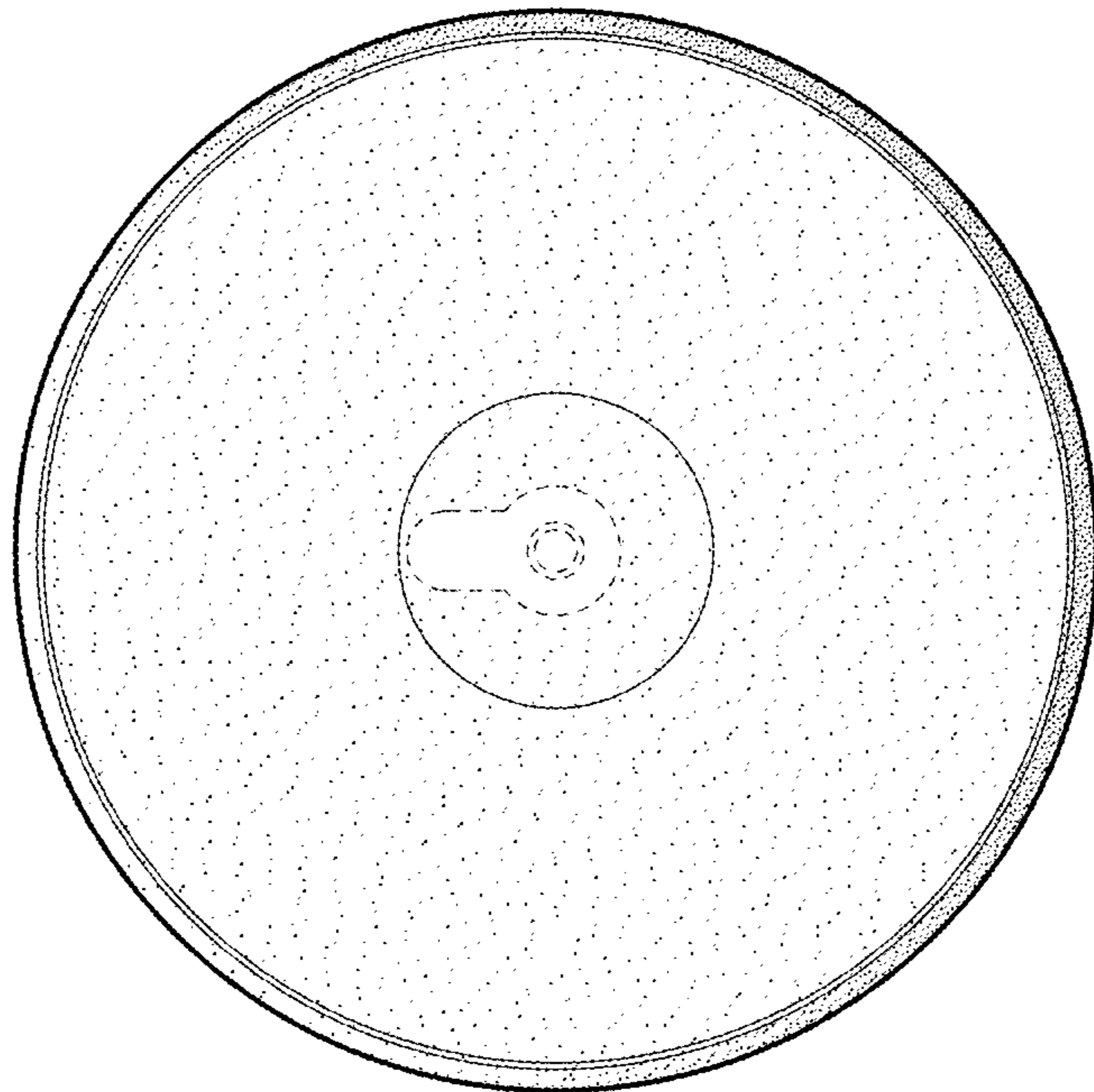


FIG. 7

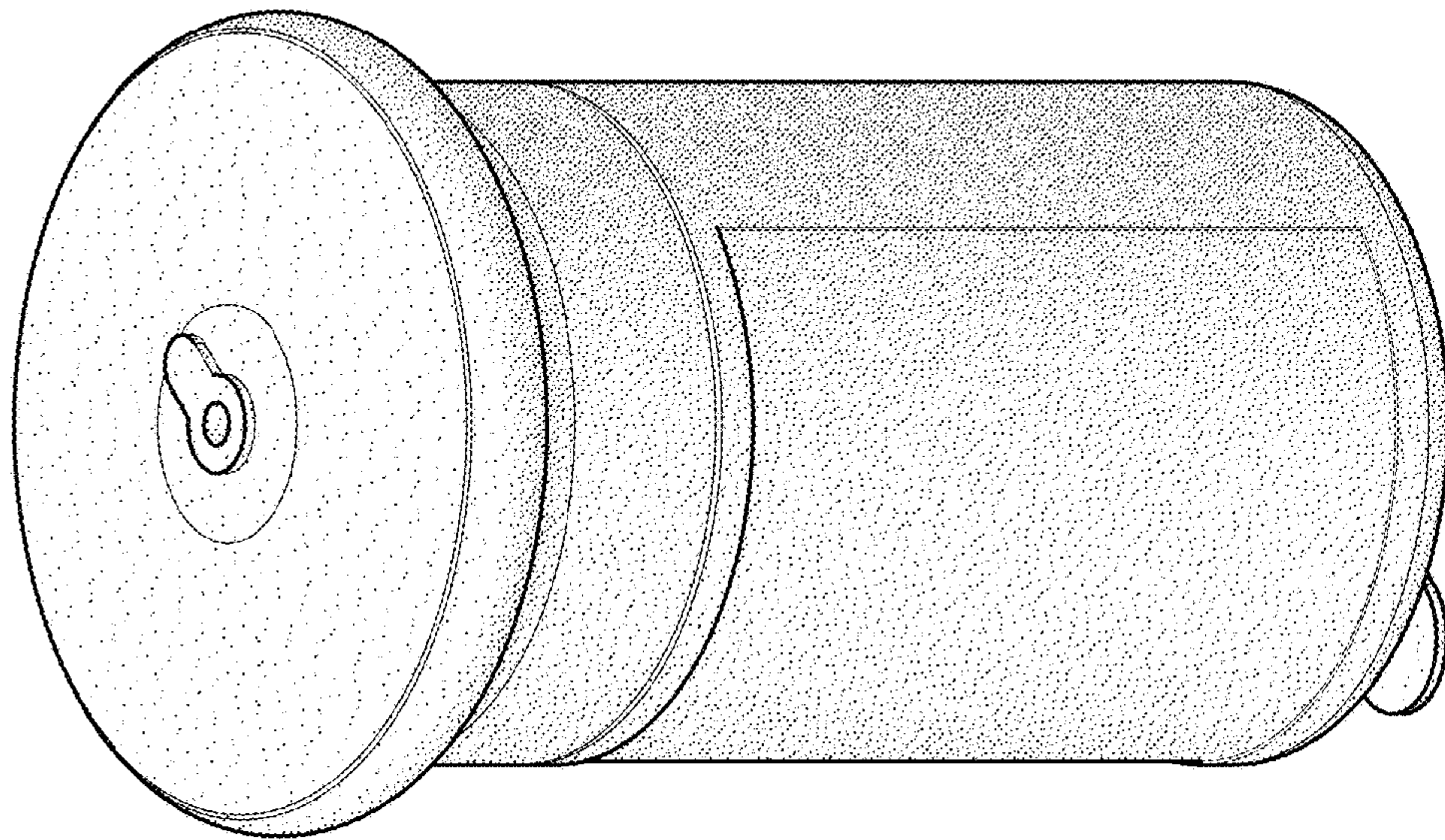


FIG. 9

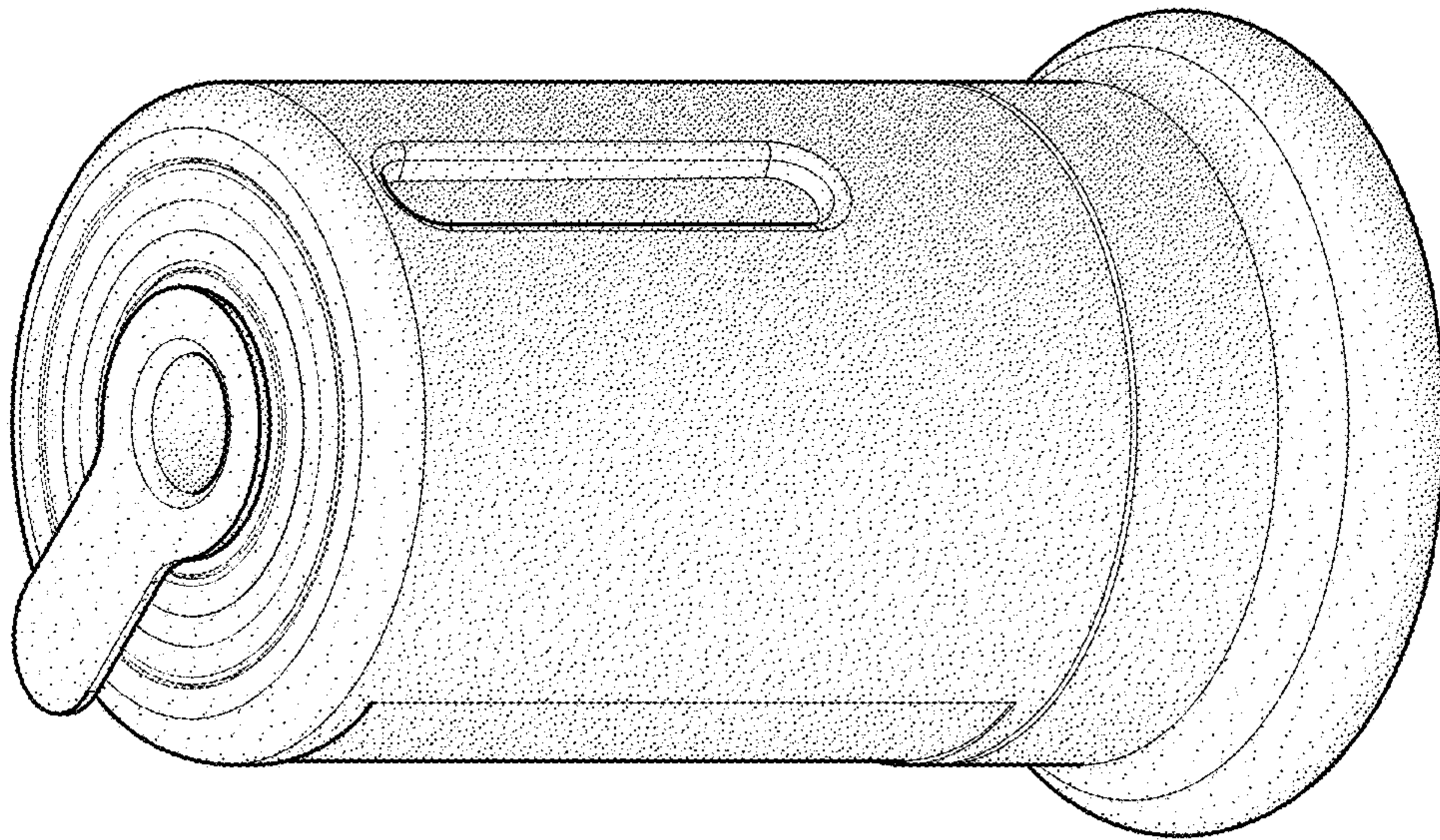


FIG. 10

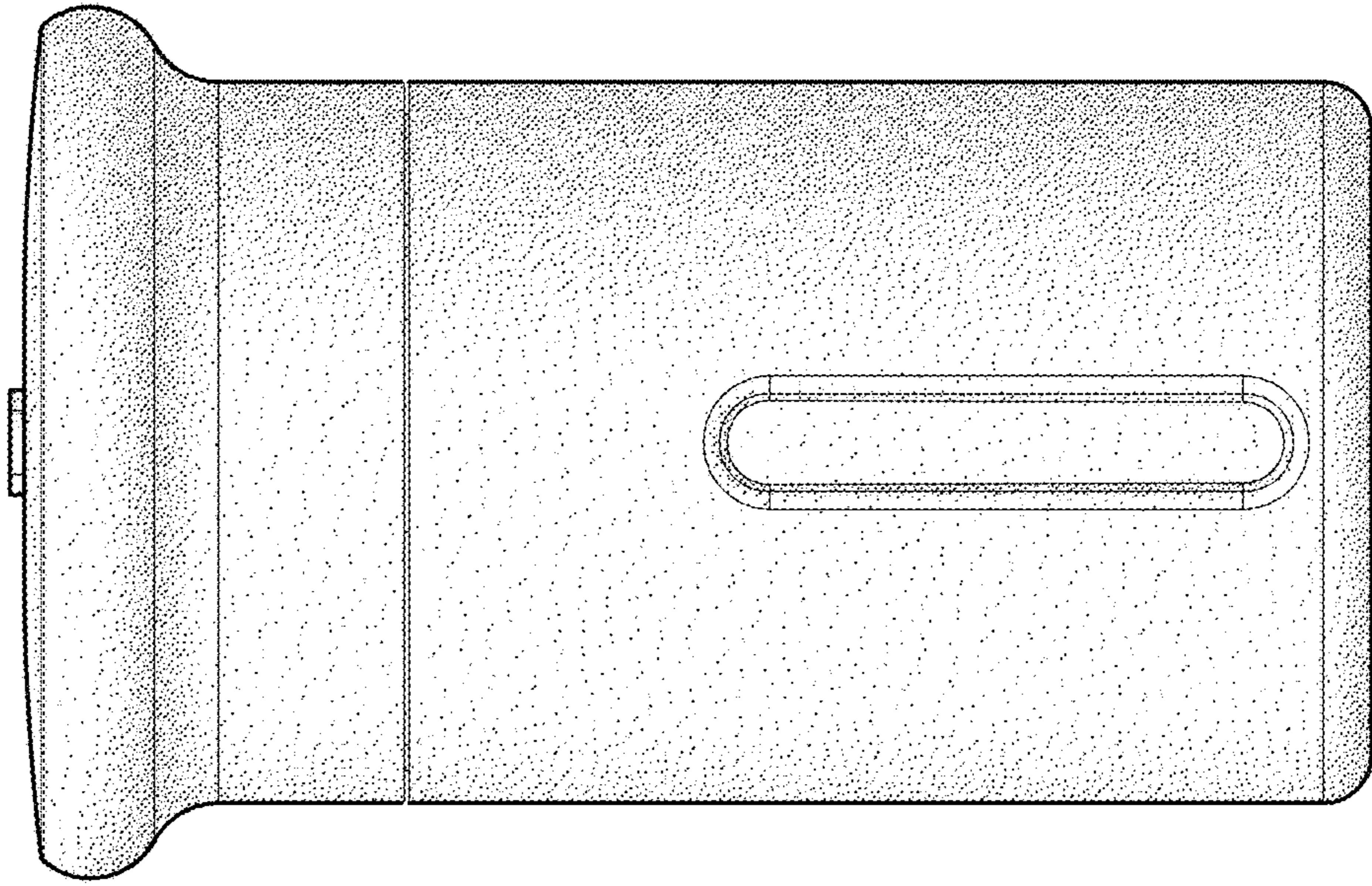


FIG. 12

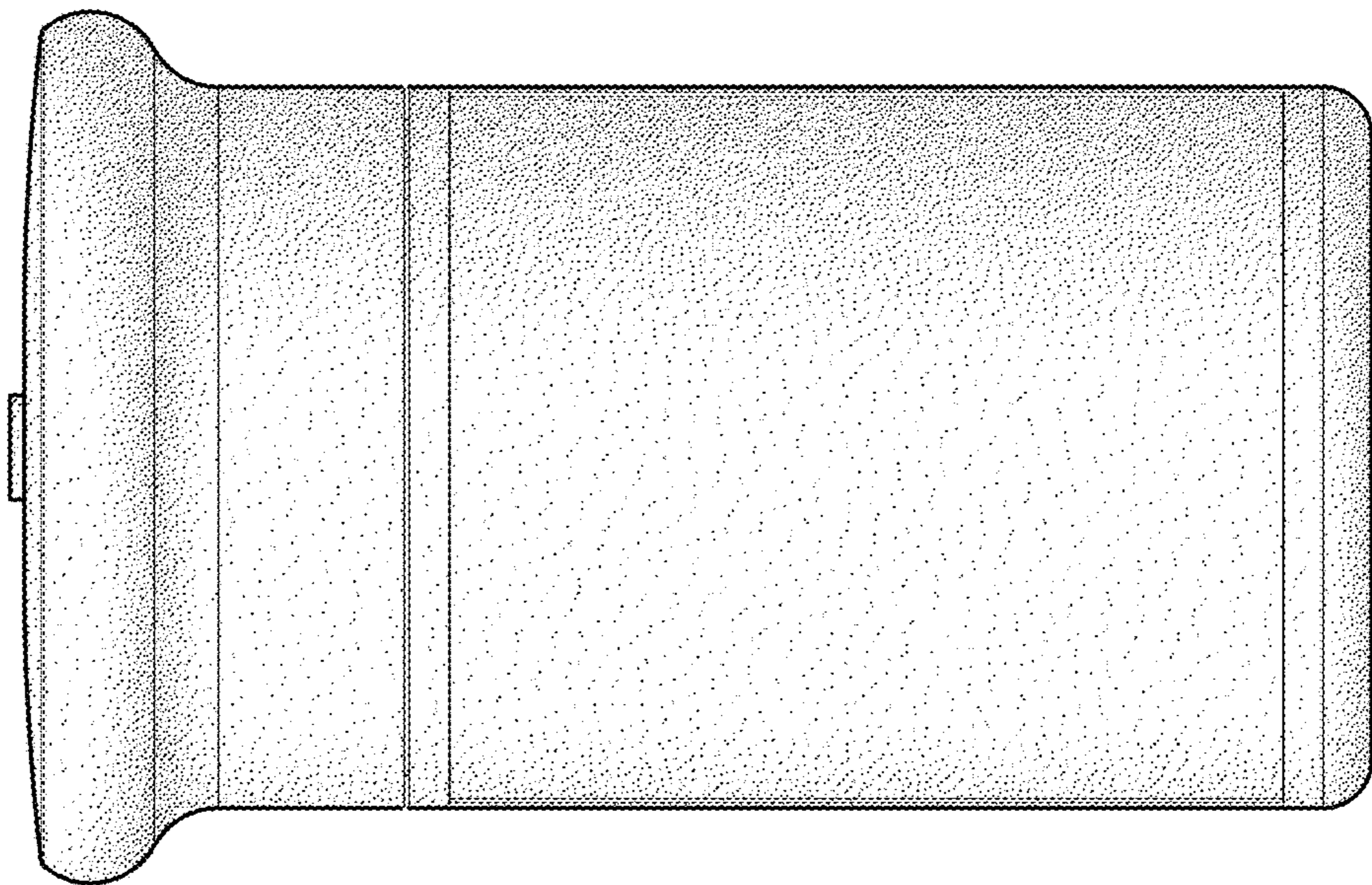


FIG. 11

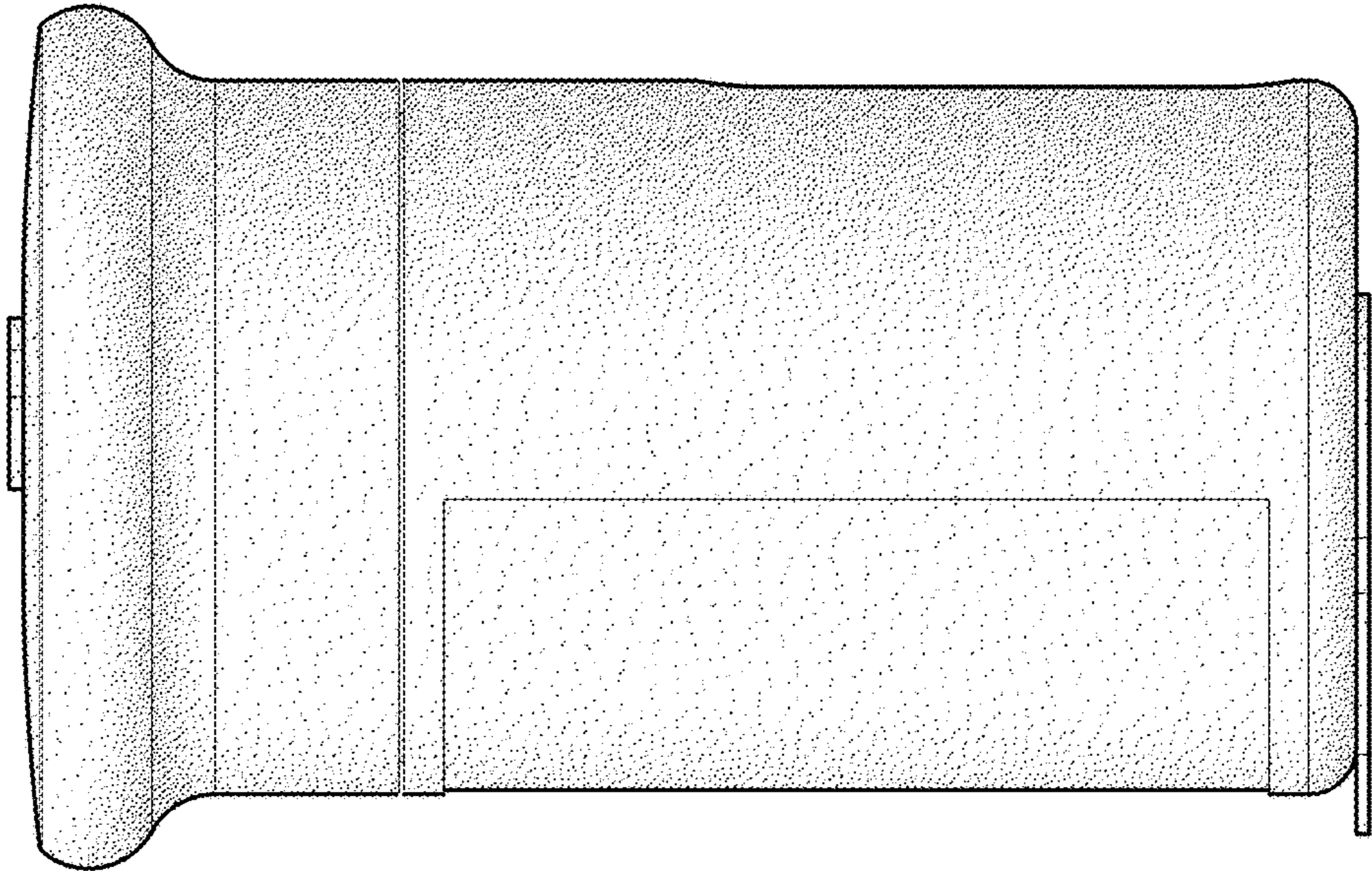


FIG. 14

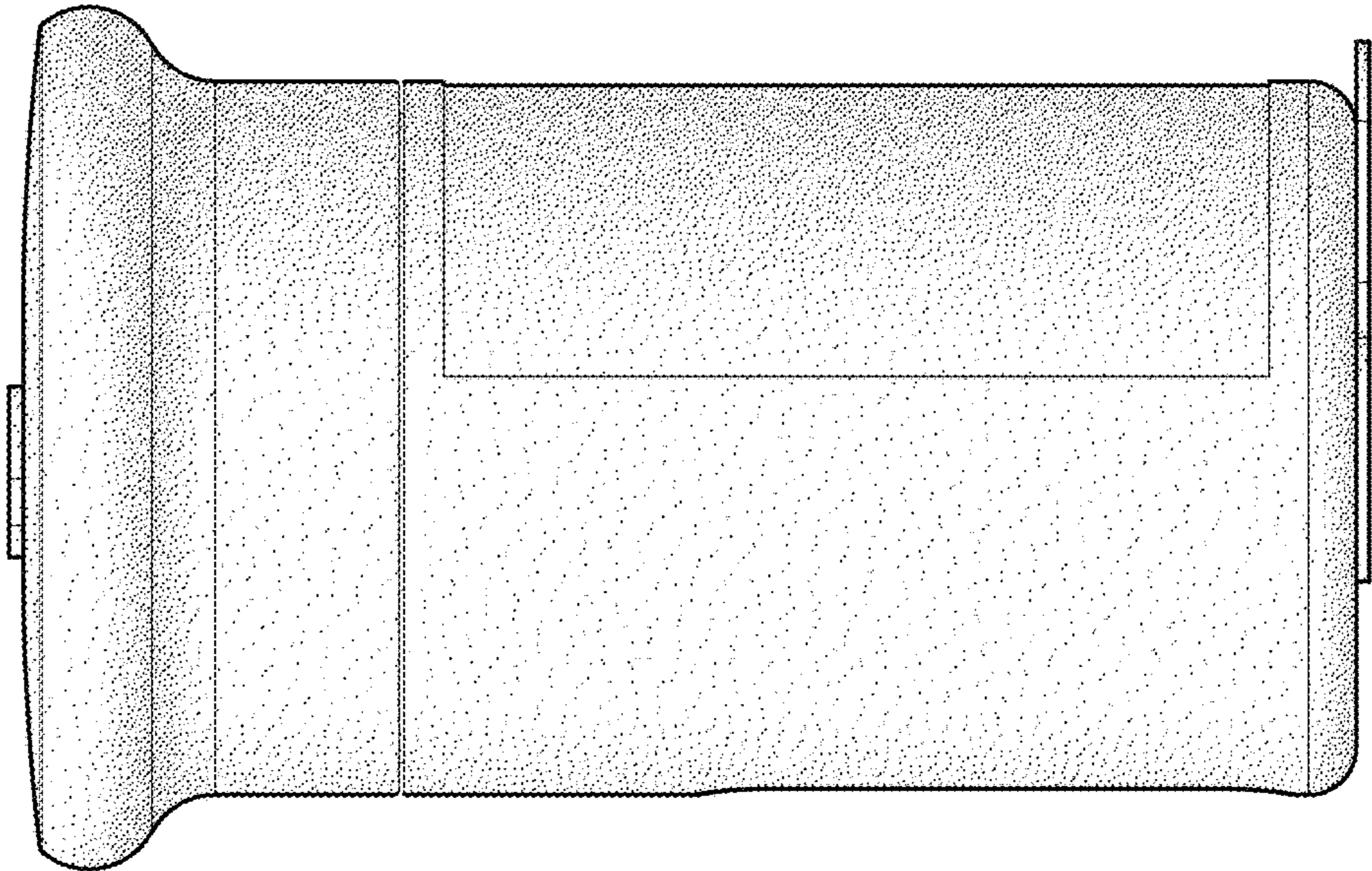


FIG. 13

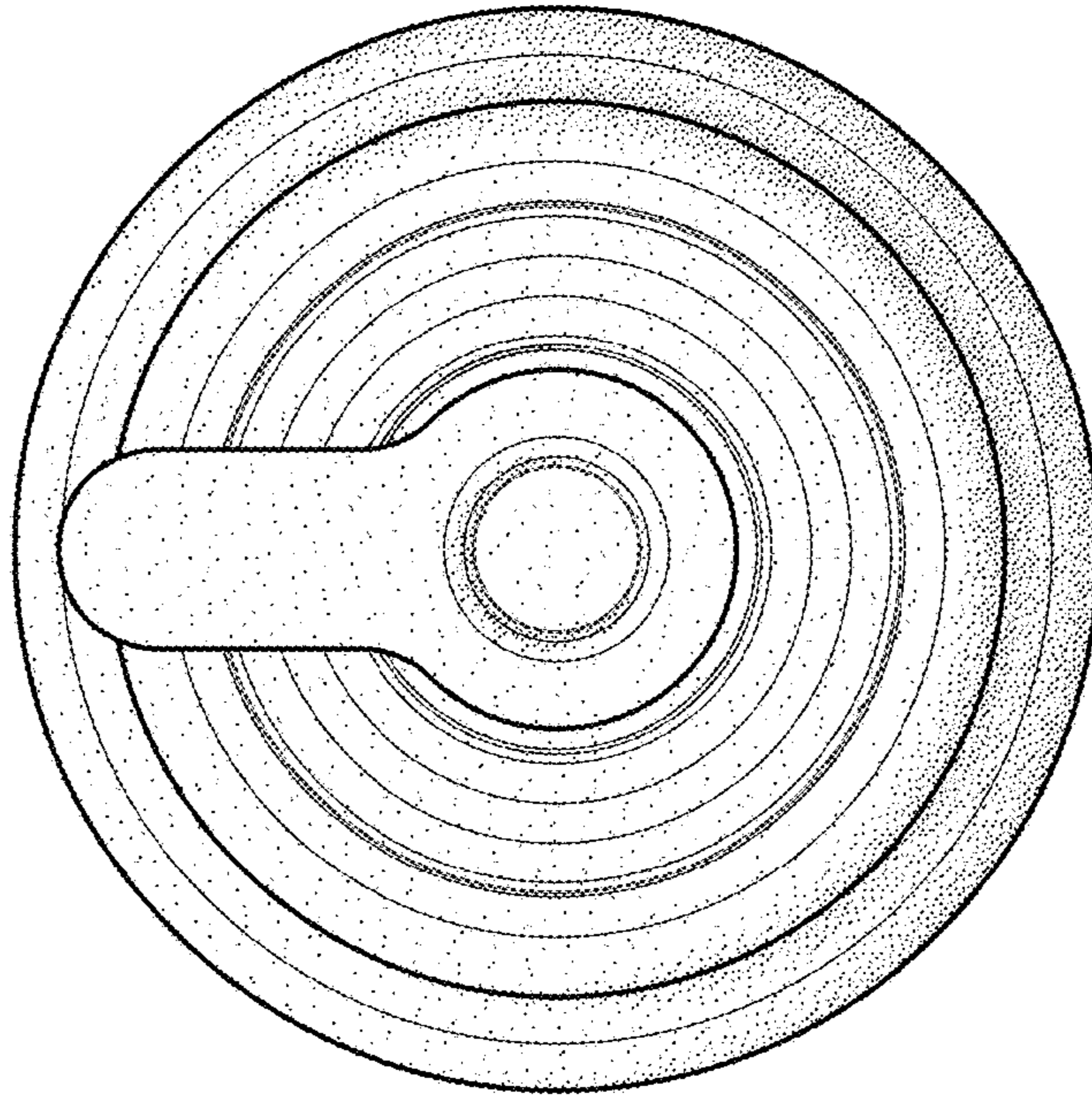


FIG. 16

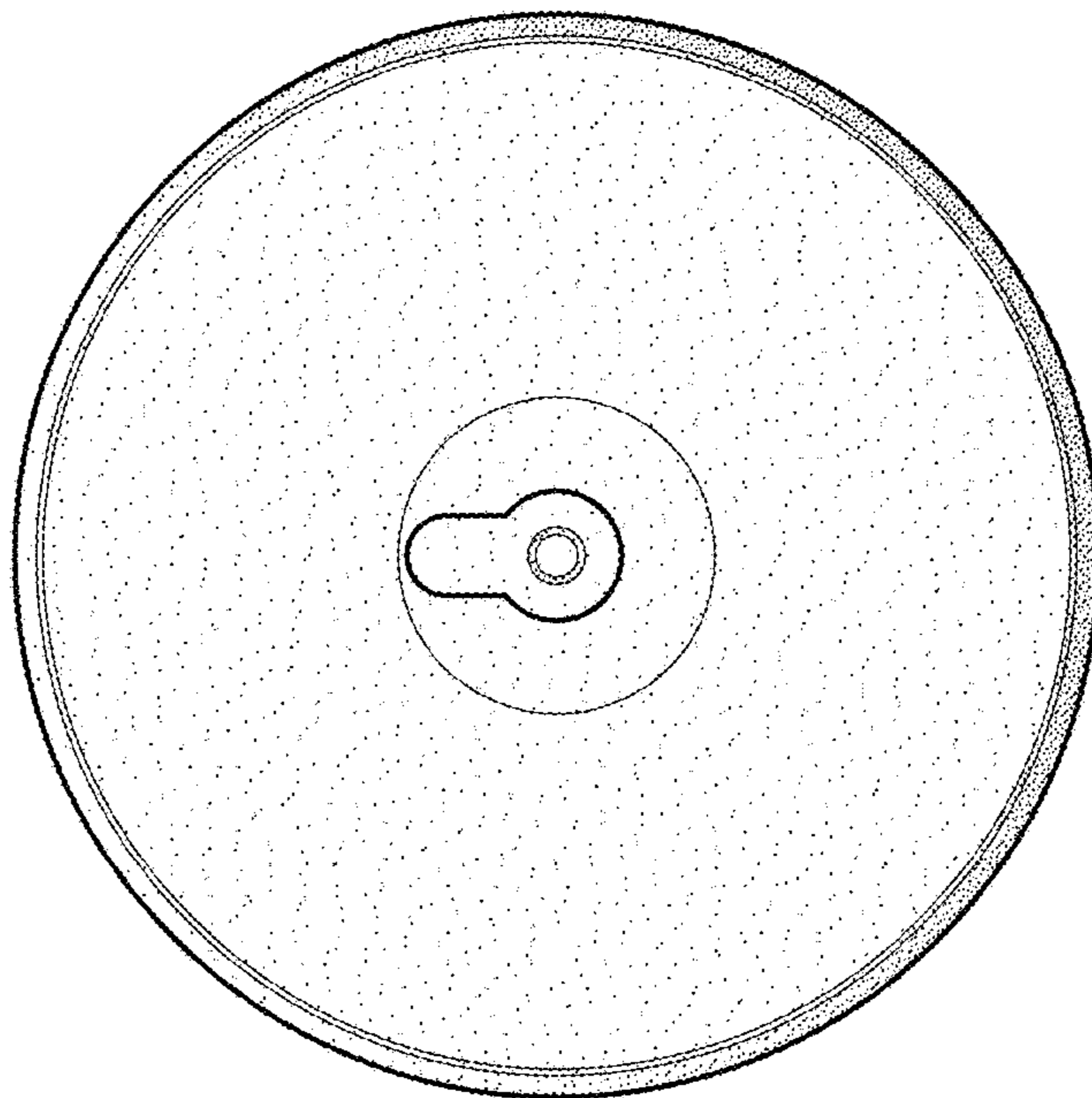


FIG. 15