



US00D801508S

(12) **United States Design Patent**  
**Weening et al.**

(10) **Patent No.:** **US D801,508 S**

(45) **Date of Patent:** **\*\* Oct. 31, 2017**

(54) **AIR TREATMENT APPLIANCE**

(71) Applicant: **Prolitec Inc.**, Milwaukee, WI (US)

(72) Inventors: **Richard Weening**, Seattle, WA (US);  
**Victoria Leslie**, Seattle, WA (US);  
**Sandra Barvaux**, Mercer Island, WA (US);  
**Matthew Ansley**, Muskego, WI (US);  
**Nathan Sward**, Milwaukee, WI (US);  
**Andrew Williams**, Elm Grove, WI (US);  
**Kyle Swen**, San Carlos, CA (US);  
**David Whetstone**, San Francisco, CA (US)

(73) Assignee: **Prolitec Inc.**, Milwaukee, WI (US)

(\*\*) Term: **15 Years**

(21) Appl. No.: **29/572,147**

(22) Filed: **Jul. 25, 2016**

(51) **LOC (10) Cl.** ..... **28-99**

(52) **U.S. Cl.**  
USPC ..... **D23/366**

(58) **Field of Classification Search**  
USPC ..... D23/332-336, 342, 351, 352, 355-366,  
D23/369, 370; D14/168, 170-172, 188,  
D14/496; D11/152; D12/218  
CPC .... A62B 21/00; B01D 46/0002; B01D 46/10;  
F02M 35/04; F24F 13/20  
See application file for complete search history.

(56) **References Cited**

**U.S. PATENT DOCUMENTS**

|            |   |         |         |       |         |
|------------|---|---------|---------|-------|---------|
| D384,734 S | * | 10/1997 | Ellwood | ..... | D23/335 |
| D450,817 S | * | 11/2001 | Fritz   | ..... | D23/332 |
| D572,351 S | * | 7/2008  | Lewis   | ..... | D23/317 |
| D706,671 S | * | 6/2014  | Thuma   | ..... | D11/152 |
| D761,944 S | * | 7/2016  | Ediger  | ..... | D23/332 |

(Continued)

**OTHER PUBLICATIONS**

Prolitec Aera found online [May 18, 2017] <https://aeraforhome.com/>.\*

*Primary Examiner* — Robert M Spear

*Assistant Examiner* — John Voytek

(74) *Attorney, Agent, or Firm* — Seed IP Law Group LLP

(57) **CLAIM**

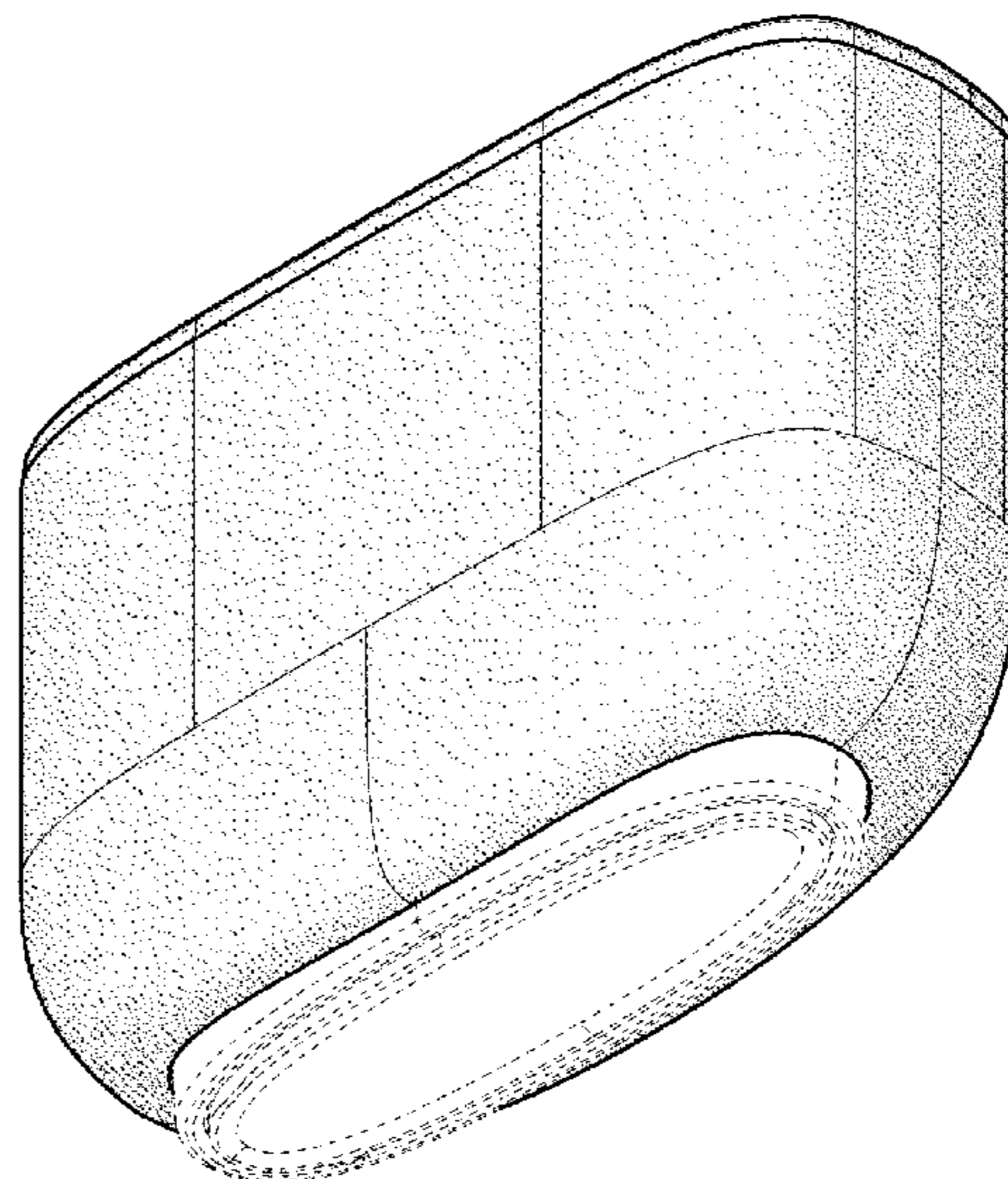
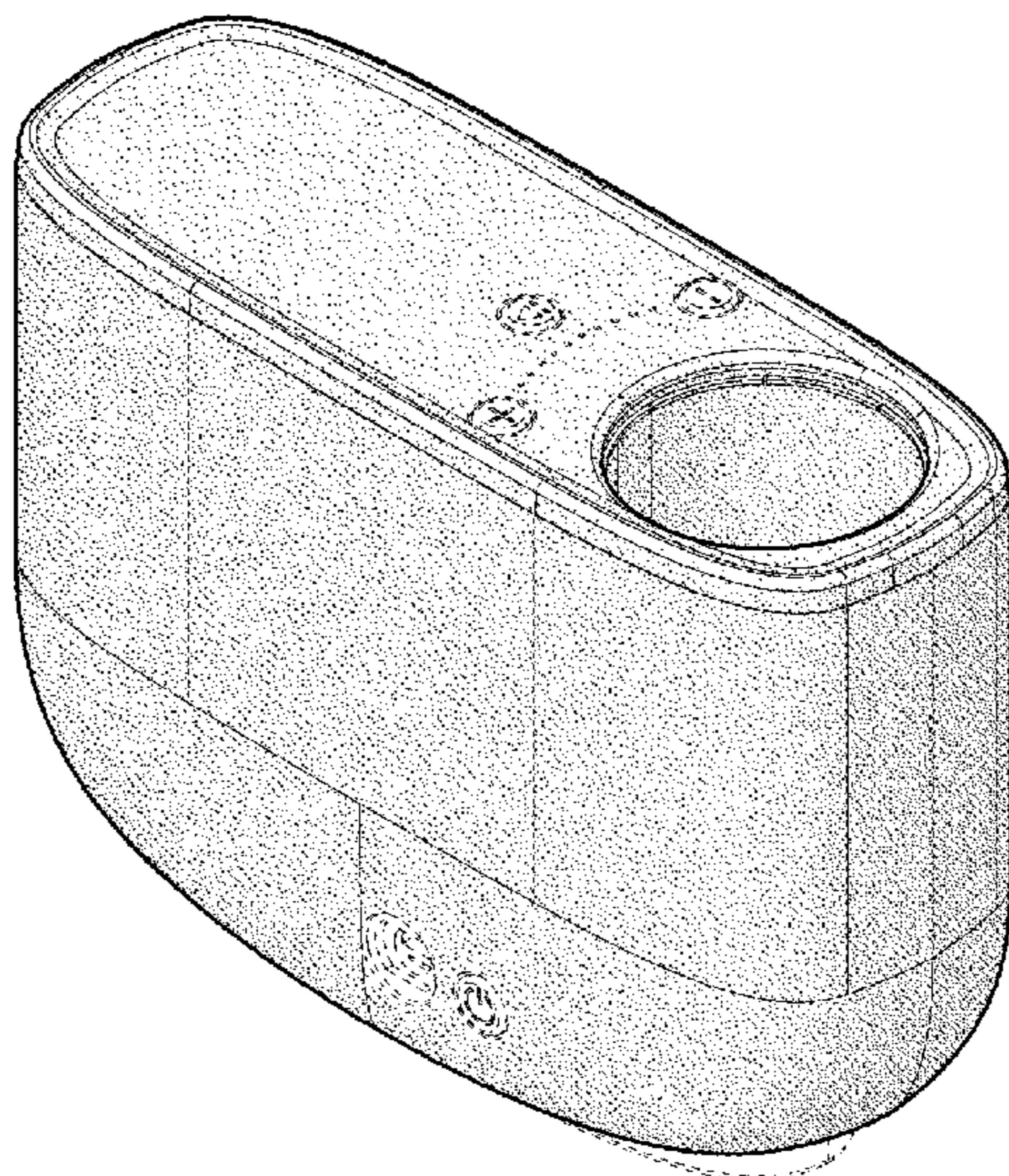
The ornamental design for an air treatment appliance, substantially as shown and described.

**DESCRIPTION**

FIG. 1 is a top isometric view of an air treatment appliance, showing one embodiment of our new design. FIG. 2 is a bottom isometric view thereof. FIG. 3 is a front elevational view thereof. FIG. 4 is a rear elevational view thereof. FIG. 5 is a left side elevational view thereof. FIG. 6 is a right side elevational view thereof. FIG. 7 is a top plan view thereof. FIG. 8 is a bottom plan view thereof. FIG. 9 is a top isometric view of an air treatment appliance, showing another embodiment of our new design. FIG. 10 is a bottom isometric view thereof. FIG. 11 is a front elevational view thereof. FIG. 12 is a rear elevational view thereof. FIG. 13 is a left side elevational view thereof. FIG. 14 is a right side elevational view thereof. FIG. 15 is a top plan view thereof; and, FIG. 16 is a bottom plan view thereof.

In the drawings, stippling and tangency lines in the drawings represent the three-dimensional contours of the design, and are not intended to indicate surface decoration. The broken lines adjacent to stippled surfaces depict the claim boundaries and form no part of the claim; all other broken lines depict environment and form no part of the claim.

**1 Claim, 8 Drawing Sheets**



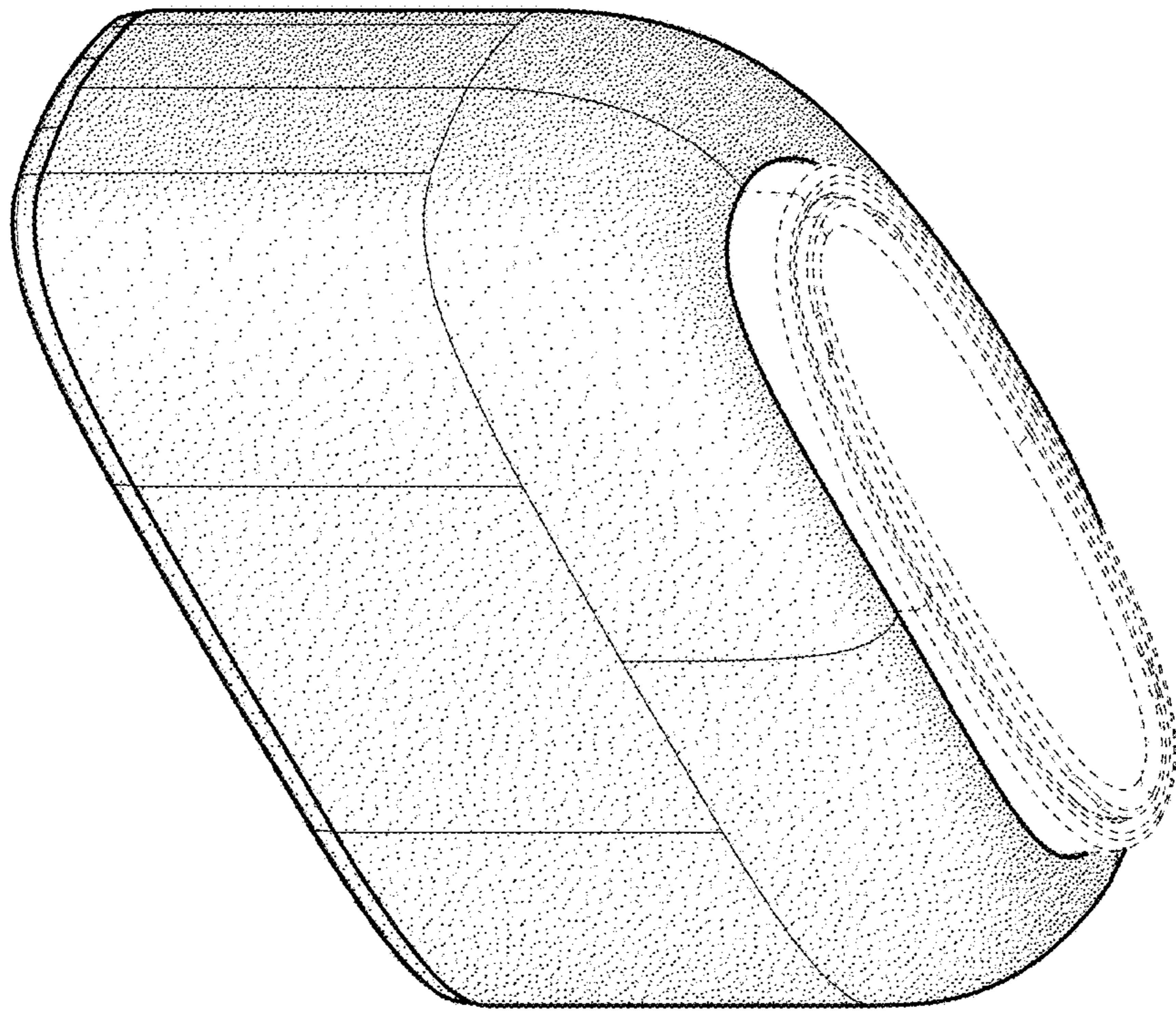
(56)

**References Cited**

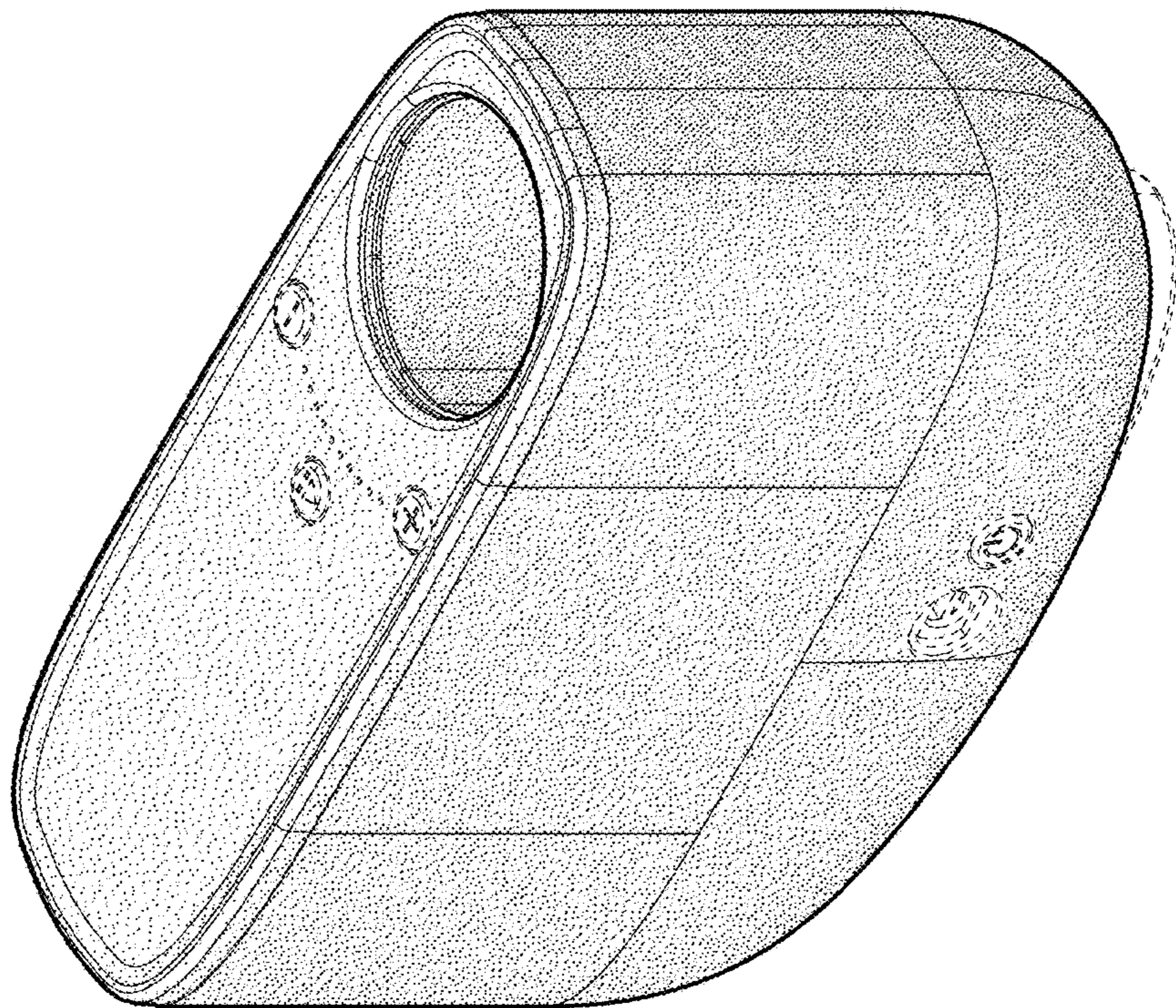
U.S. PATENT DOCUMENTS

9,486,552 B1 \* 11/2016 Ansley ..... A61L 9/14  
D780,301 S \* 2/2017 Cartwright ..... D23/332

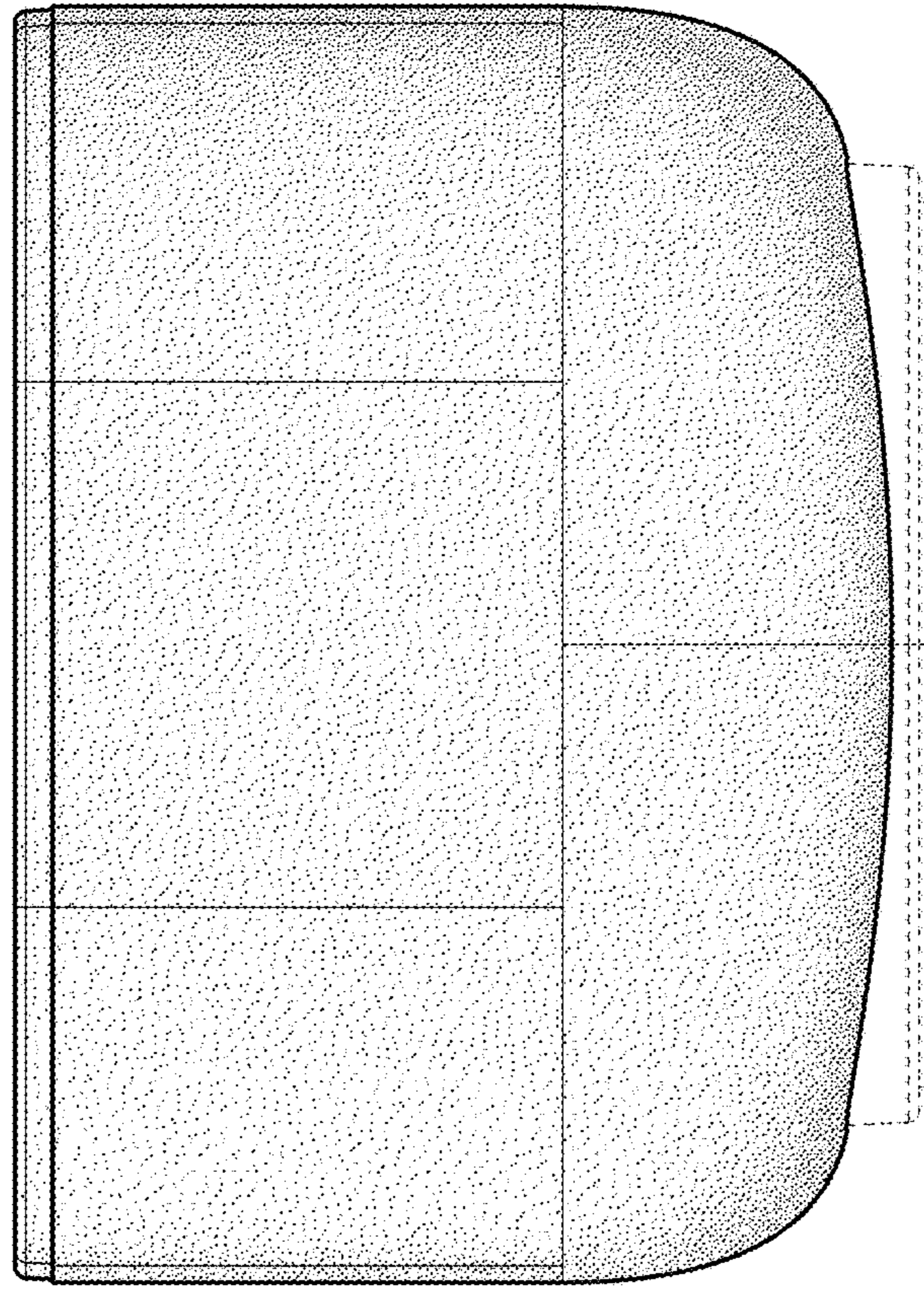
\* cited by examiner



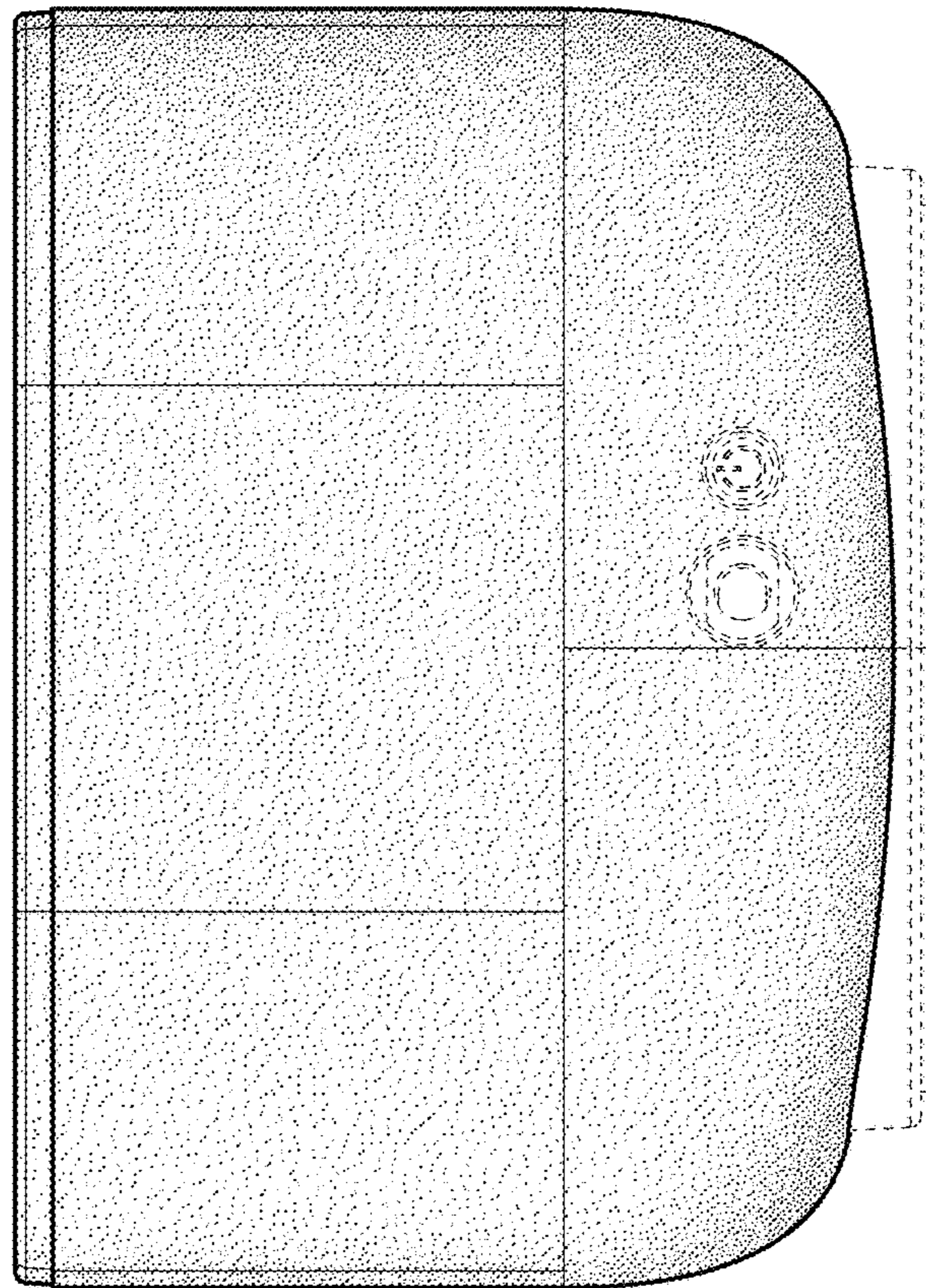
**FIG. 1**



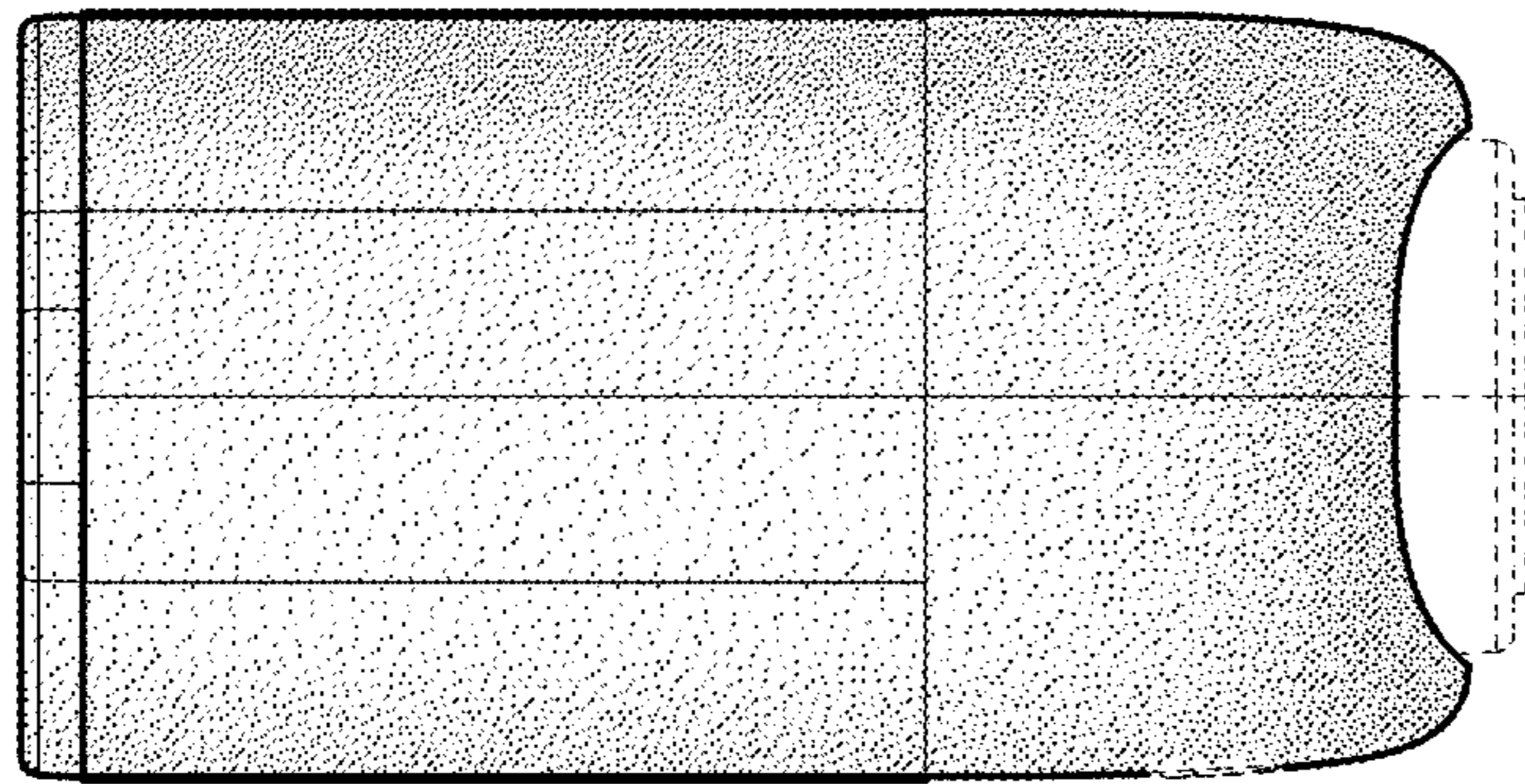
**FIG. 2**



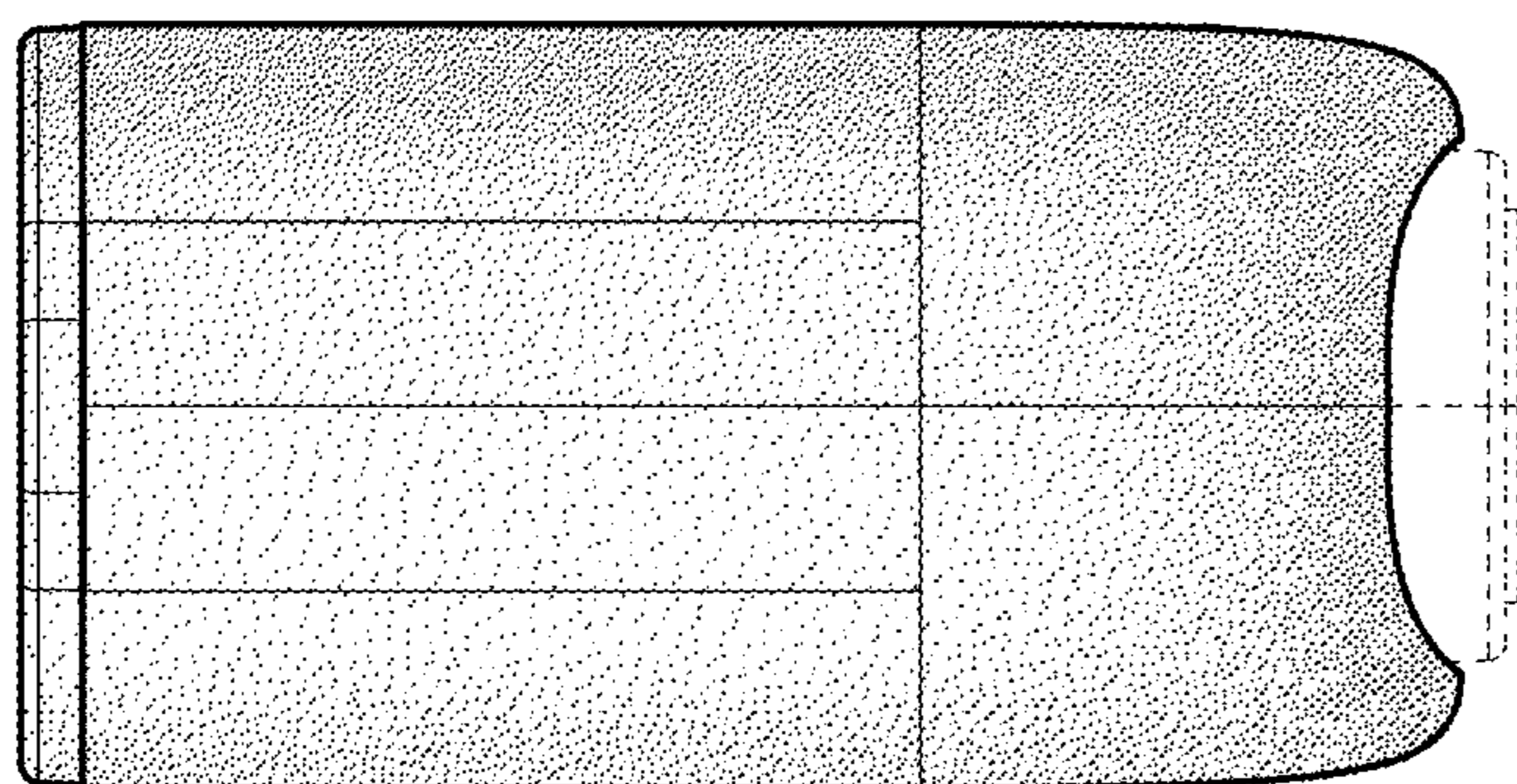
**FIG. 4**



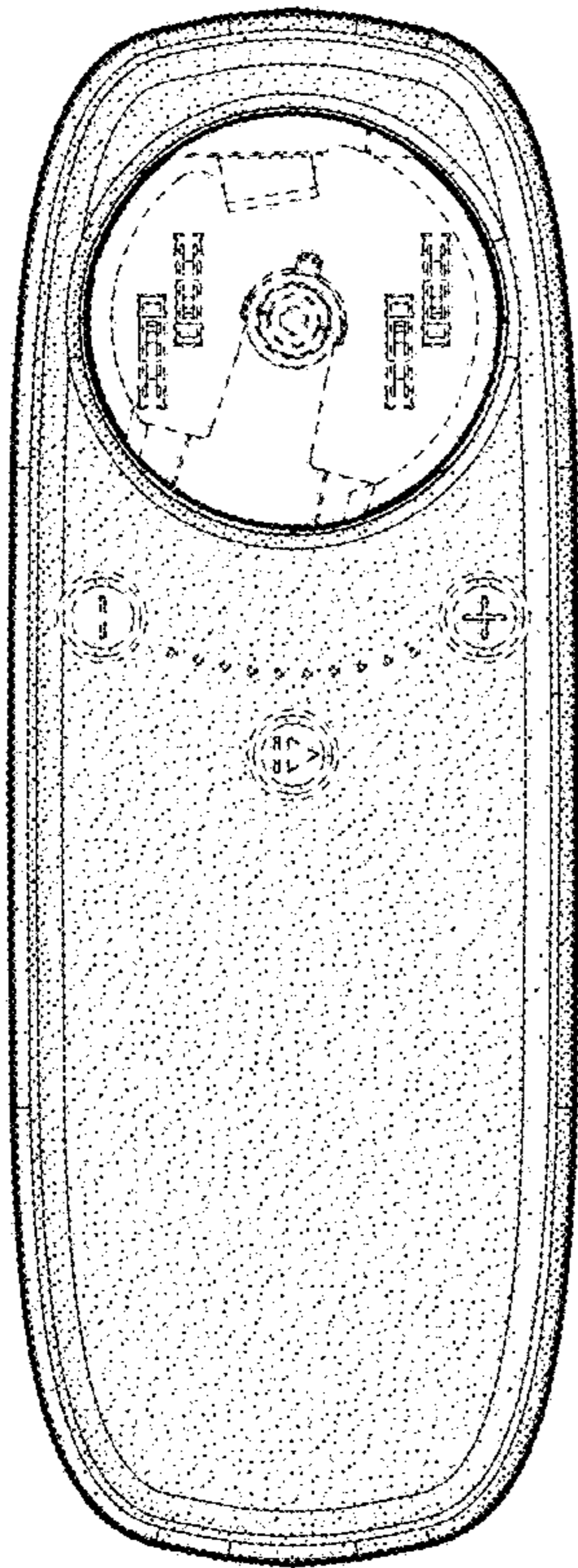
**FIG. 3**



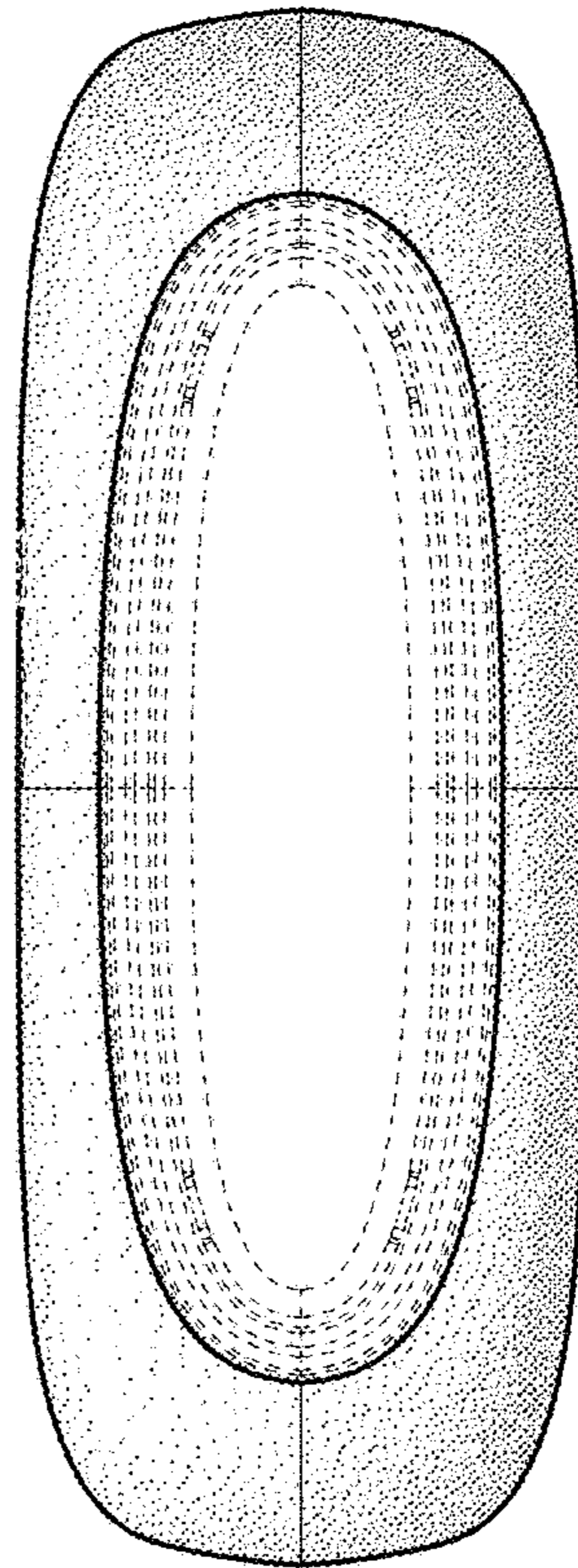
**FIG. 5**



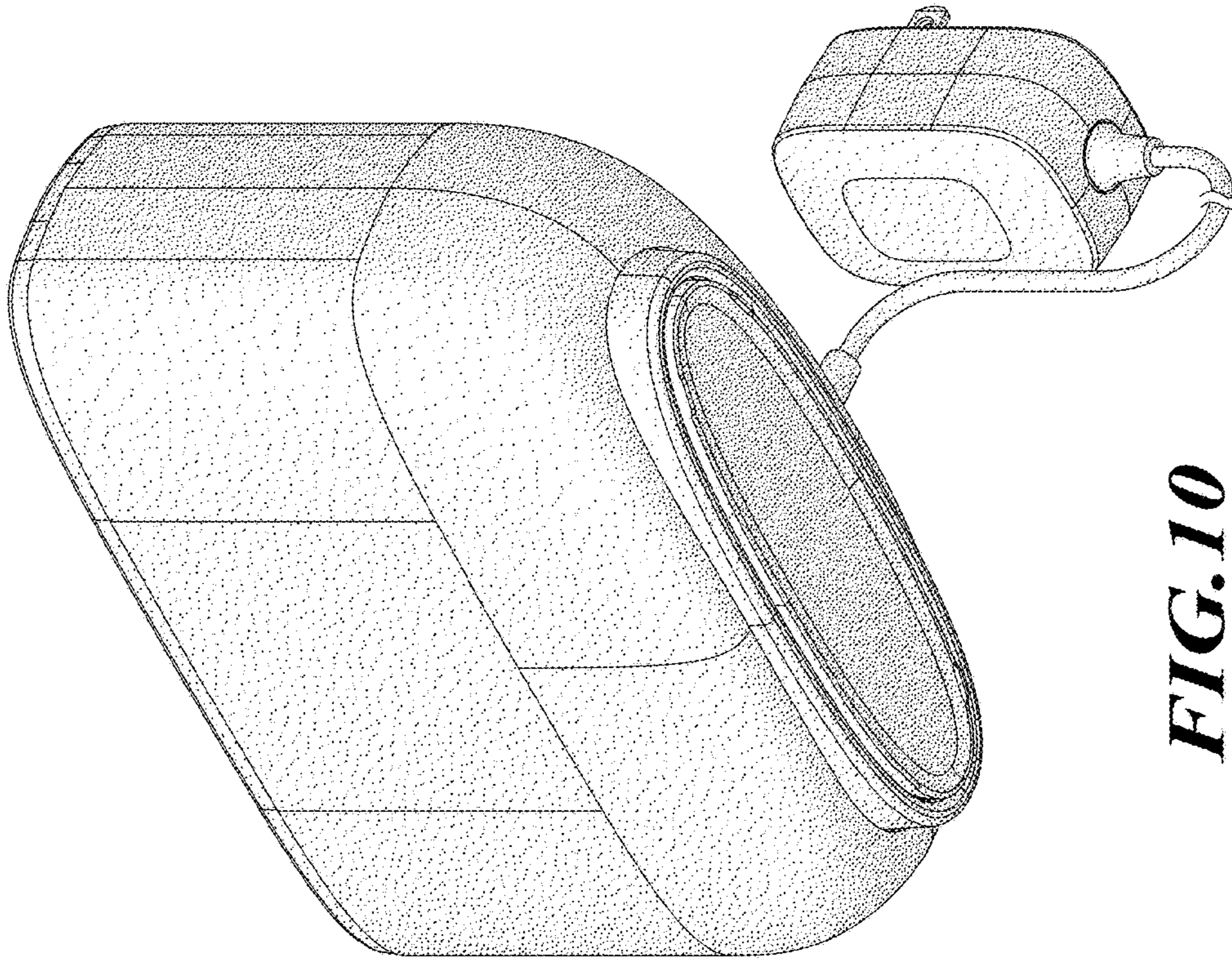
**FIG. 6**



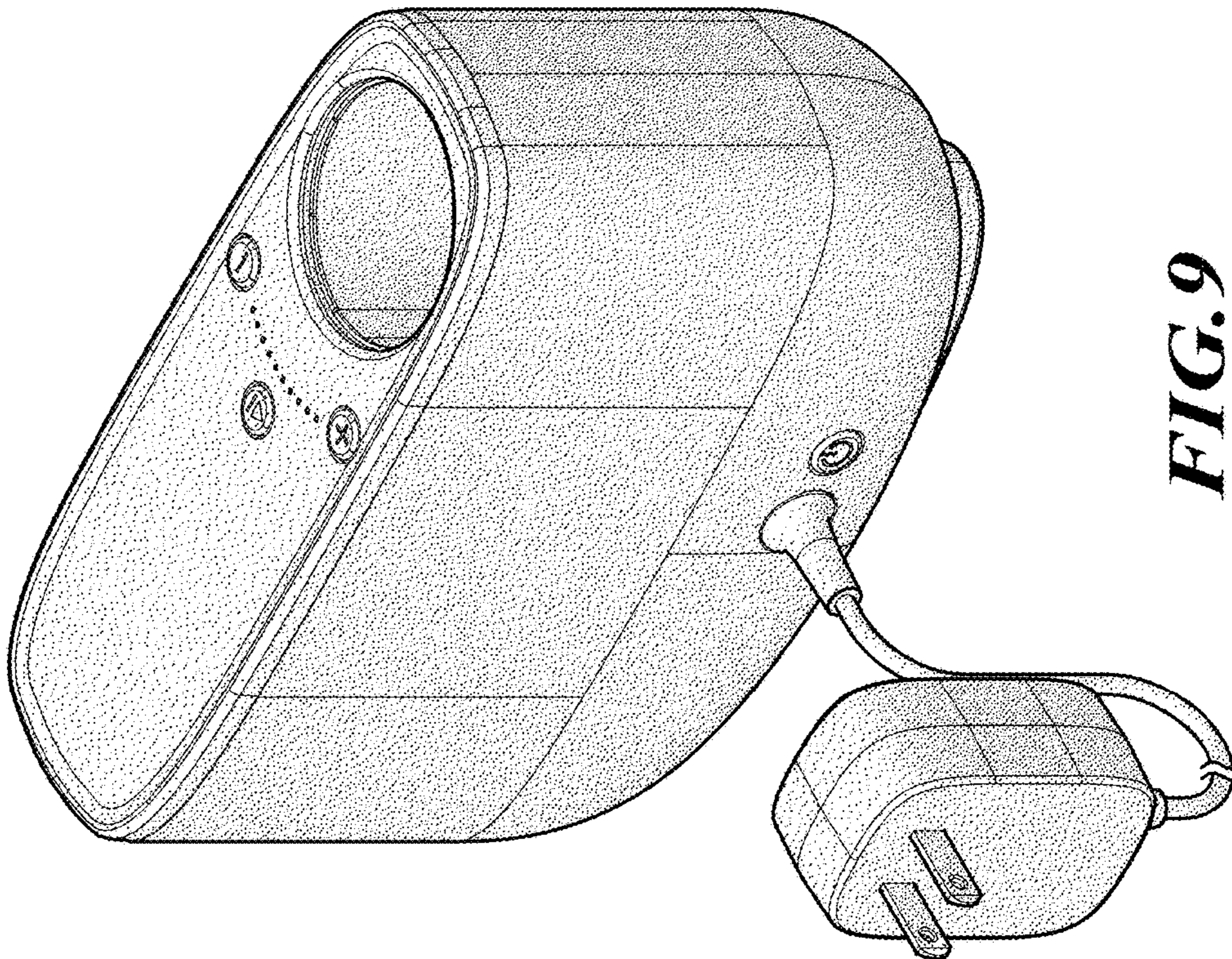
**FIG. 7**



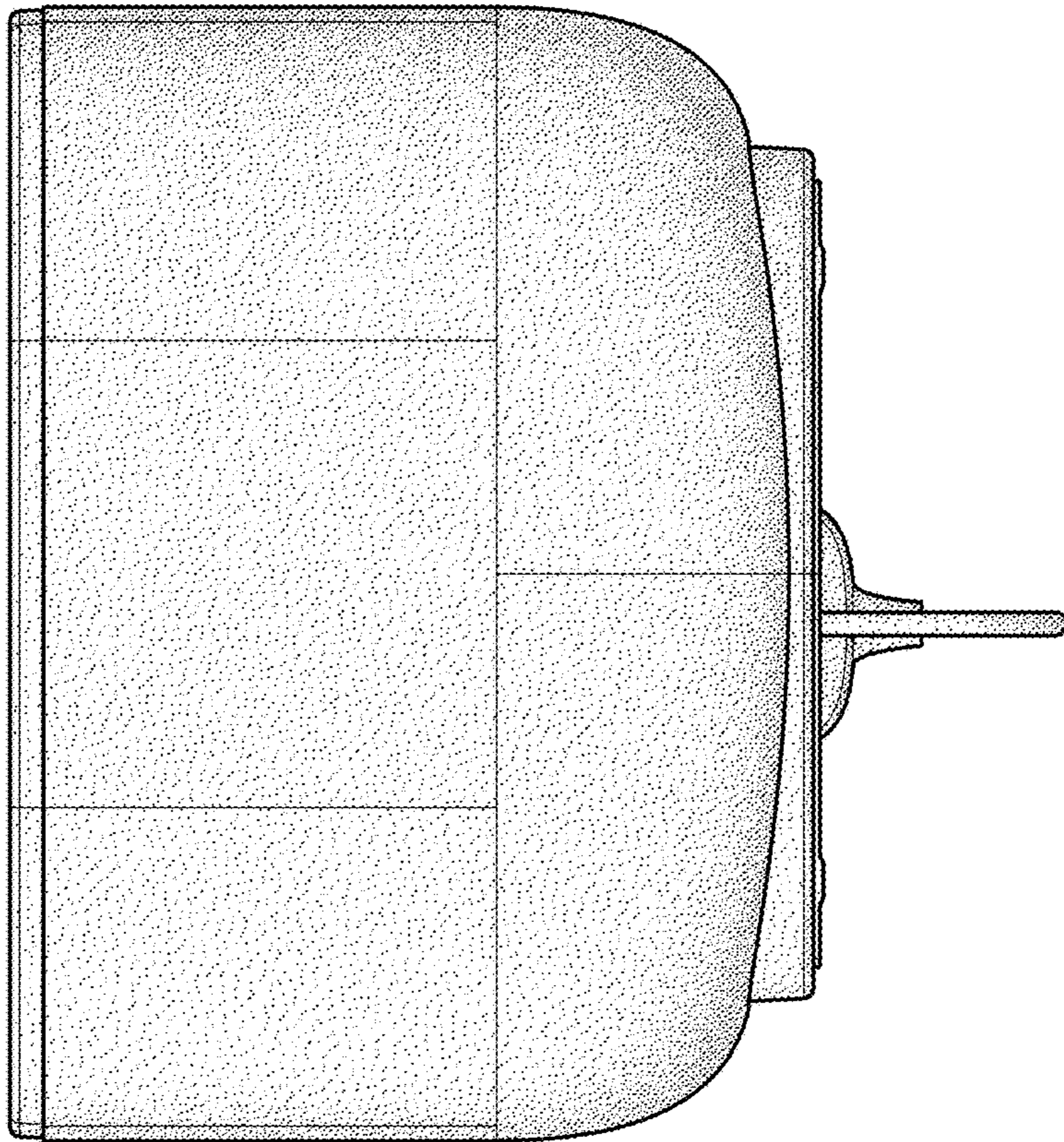
**FIG. 8**



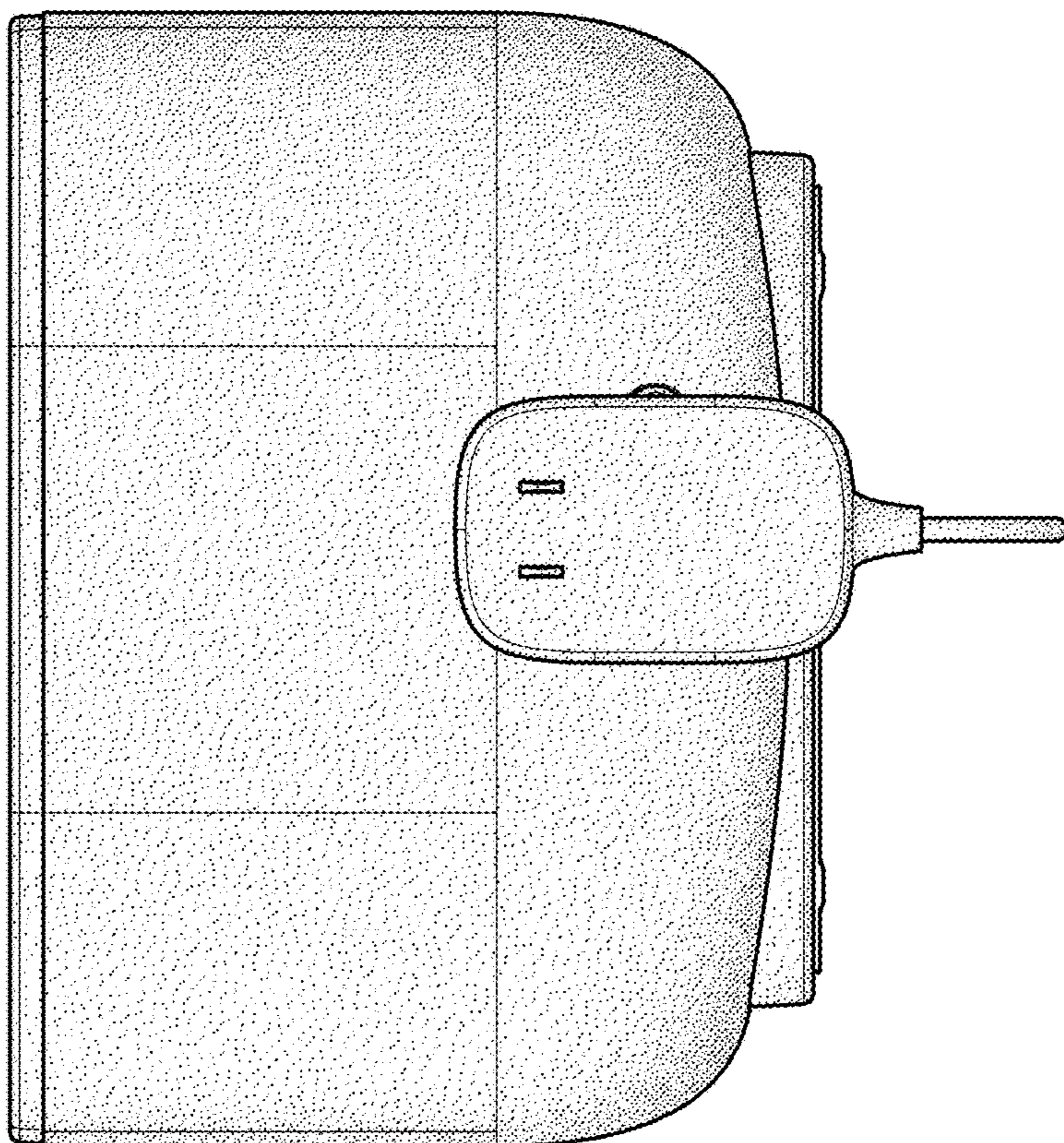
**FIG. 10**



**FIG. 9**

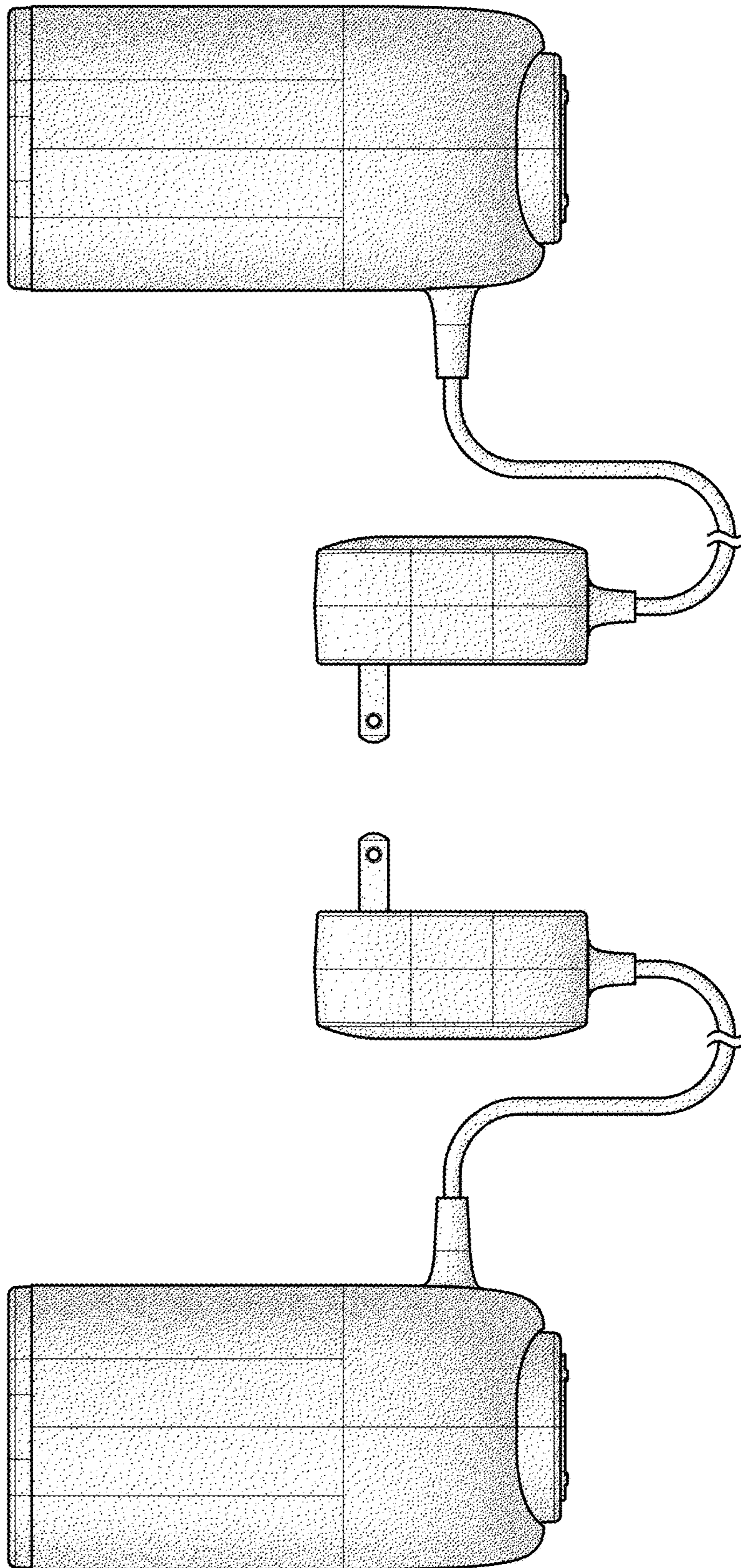


**FIG. 12**



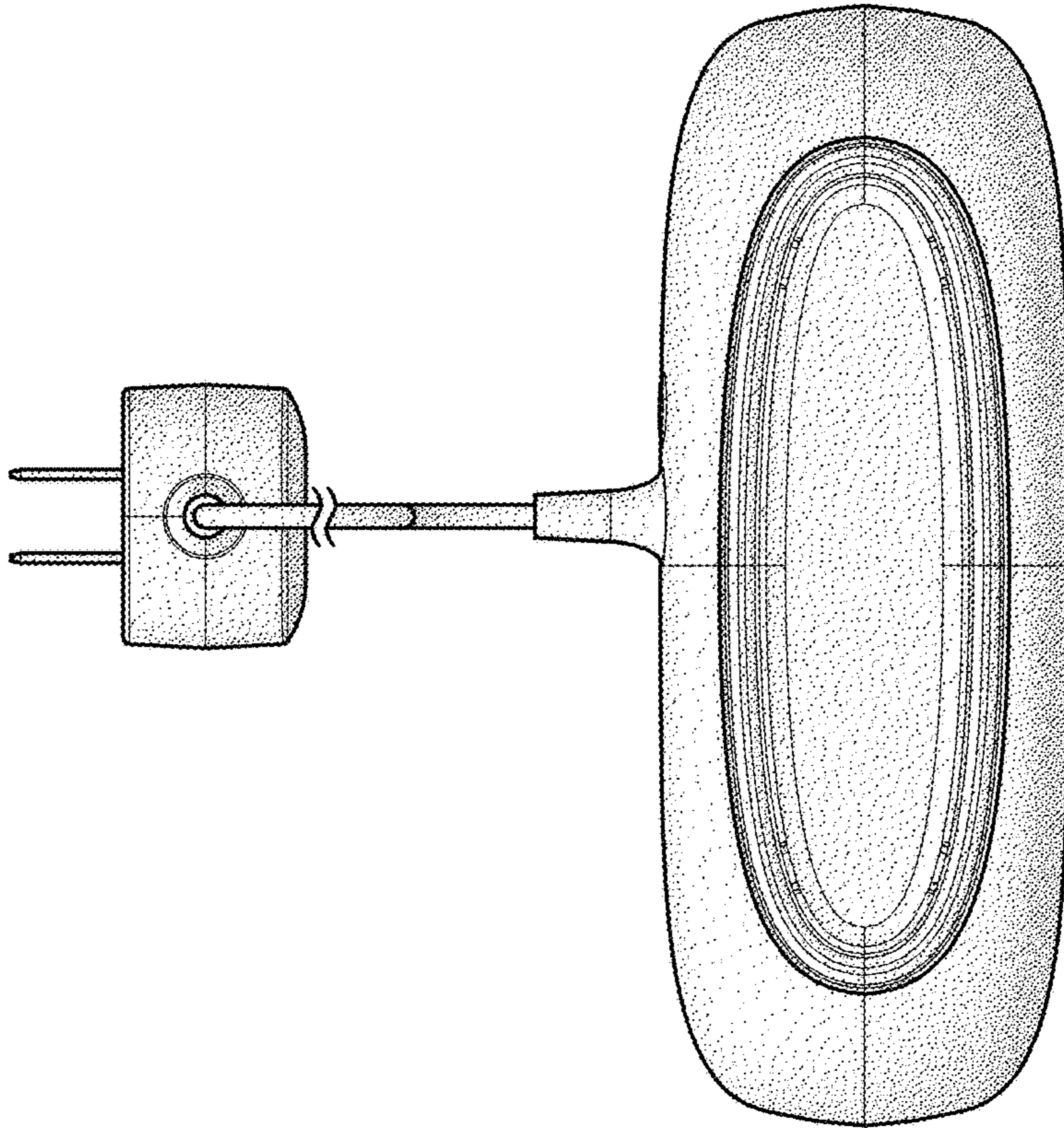
**FIG. 11**



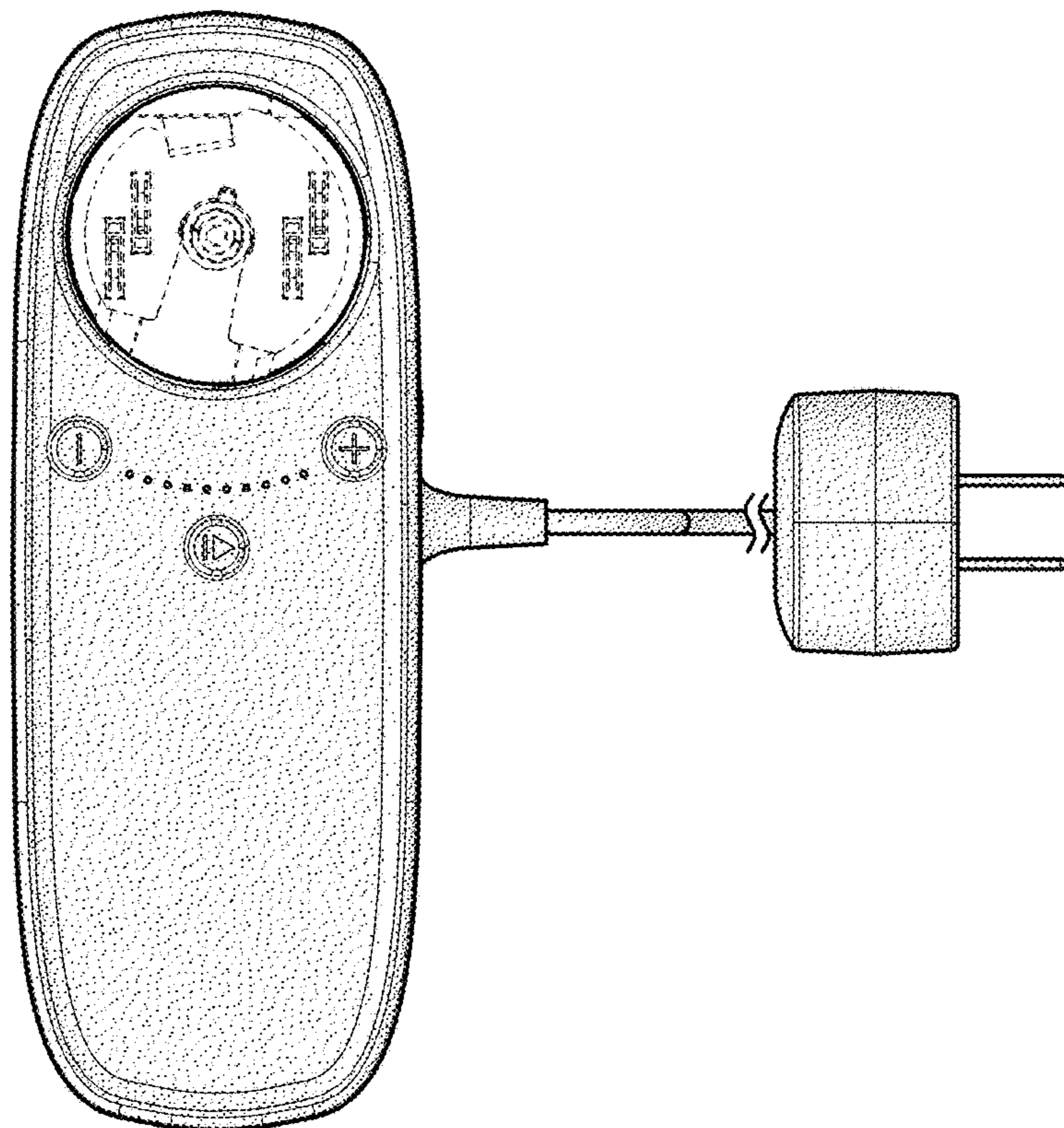


**FIG. 14**

**FIG. 13**



**FIG. 16**



**FIG. 15**