

US00D801507S

(12) **United States Design Patent** (10) **Patent No.:** **US D801,507 S**  
**Kelnhofer** (45) **Date of Patent:** **\*\* Oct. 31, 2017**

- (54) **HANDHELD VAPORIZER**
- (71) Applicant: **7th Floor, LLC**, Colorado Springs, CO (US)
- (72) Inventor: **Steve Kelnhofer**, Colorado Springs, CO (US)
- (73) Assignee: **Kelnhofer Enterprises III**, Colorado Springs, CO (US)
- (\*\*) Term: **15 Years**
- (21) Appl. No.: **29/559,482**
- (22) Filed: **Mar. 29, 2016**
- (51) **LOC (10) Cl.** ..... **23-04**
- (52) **U.S. Cl.**  
USPC ..... **D23/366; D23/364; D27/141**
- (58) **Field of Classification Search**  
USPC ..... D23/360, 361, 362, 363, 366, 367, 368, D23/391; D27/101, 141, 142, 162, 163, D27/194, 196  
CPC ..... A24F 47/00; A24F 47/002; A24F 47/004; A24F 47/006; A24F 47/008; A61M 2205/8206; F42C 14/00  
See application file for complete search history.

|              |         |             |       |         |
|--------------|---------|-------------|-------|---------|
| D321,569 S * | 11/1991 | Wallace     | ..... | D27/142 |
| D326,682 S * | 6/1992  | Kimura      | ..... | 401/202 |
| D343,918 S * | 2/1994  | Capilla     | ..... | D27/154 |
| D345,196 S * | 3/1994  | Kelly       | ..... | D23/208 |
| D347,490 S * | 5/1994  | Gee         | ..... | D27/194 |
| D360,281 S * | 7/1995  | Kim         | ..... | D27/141 |
| D370,710 S * | 6/1996  | Wefler      | ..... | D23/208 |
| D373,627 S * | 9/1996  | Specht      | ..... | D23/366 |
| D410,564 S * | 6/1999  | Sher        | ..... | D27/141 |
| D423,139 S * | 4/2000  | Williamson  | ..... | D27/142 |
| D424,738 S * | 5/2000  | Reidenbach  | ..... | D27/141 |
| D425,656 S * | 5/2000  | Aronson, II | ..... | D27/141 |
| D428,194 S * | 7/2000  | Chen        | ..... | D27/141 |
| D433,532 S * | 11/2000 | Higgins     | ..... | D27/186 |
| D440,008 S * | 4/2001  | Xu          | ..... | D27/148 |
| D469,922 S * | 2/2003  | Cohen Harel | ..... | D27/157 |
| D473,437 S * | 4/2003  | Klein       | ..... | D8/34   |
| D477,893 S * | 7/2003  | Cohen Harel | ..... | D27/157 |
| D501,919 S * | 2/2005  | Hsin-mao    | ..... | D23/364 |
| D503,787 S * | 4/2005  | Koike       | ..... | D23/364 |
| D512,179 S * | 11/2005 | Ruan        | ..... | D27/156 |
| D515,189 S * | 2/2006  | Russak      | ..... | D23/364 |

(Continued)

*Primary Examiner* — Caron D Veynar  
*Assistant Examiner* — Mehri Bajoul  
(74) *Attorney, Agent, or Firm* — Martensen IP

(57) **CLAIM**

The ornamental design for the handheld vaporizer, as shown and described.

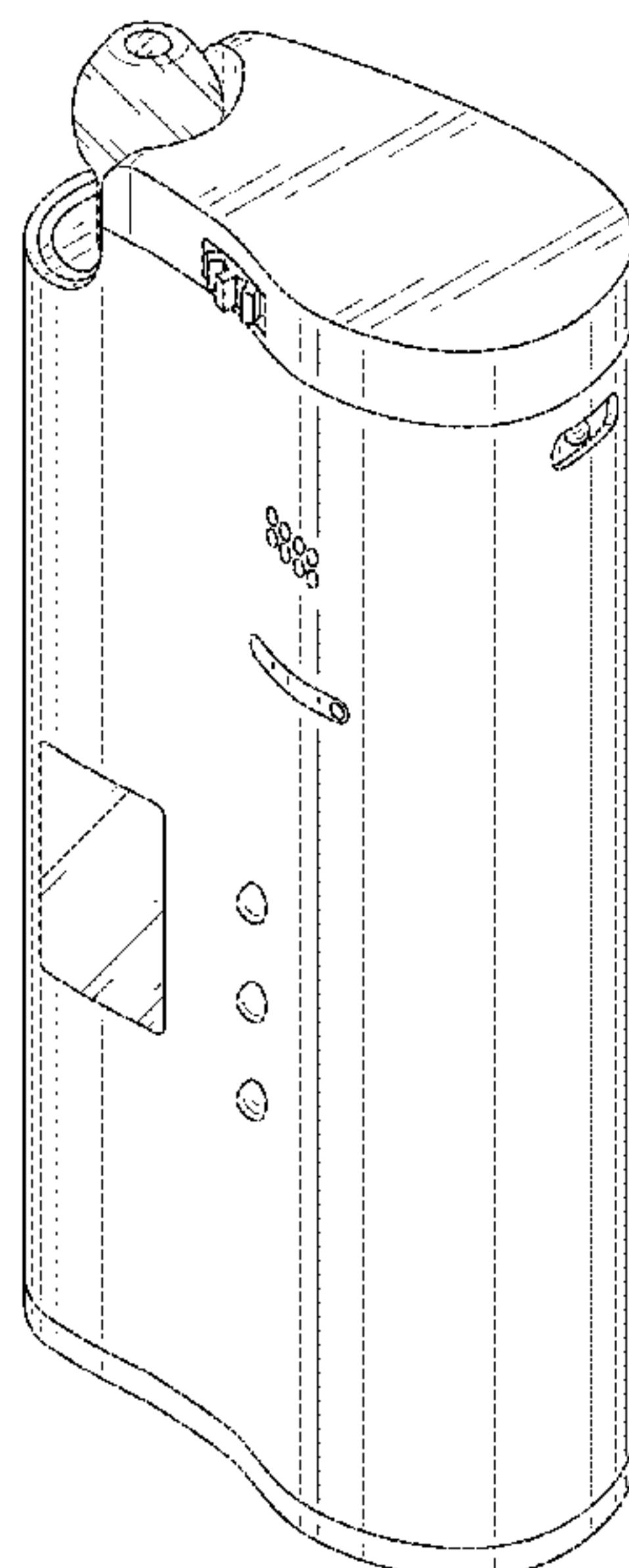
**DESCRIPTION**

FIG. 1 is a front right perspective of the handheld vaporizer. FIG. 2 is a front view of the handheld vaporizer. FIG. 3 is a rear elevation view of the handheld vaporizer. FIG. 4 is a right side elevation view of the handheld vaporizer. FIG. 5 is a left side view of the handheld vaporizer. FIG. 6 is a top view of the handheld vaporizer; and, FIG. 7 is a bottom view of the handheld vaporizer.

**1 Claim, 6 Drawing Sheets**

(56) **References Cited**  
U.S. PATENT DOCUMENTS

|               |         |               |       |                      |
|---------------|---------|---------------|-------|----------------------|
| D203,155 S *  | 12/1965 | Hocutt et al. | ..... | D15/78               |
| D262,238 S *  | 12/1981 | Stuetzer      | ..... | D27/154              |
| 4,451,229 A * | 5/1984  | Nitta         | ..... | F23Q 2/32<br>401/195 |
| D293,486 S *  | 12/1987 | Aguirre Gili  | ..... | D27/156              |
| 4,846,667 A * | 7/1989  | Lin           | ..... | F23Q 2/50<br>431/146 |
| D307,625 S *  | 5/1990  | King          | ..... | D23/208              |
| D313,085 S *  | 12/1990 | Eisenbraun    | ..... | D27/142              |
| D317,060 S *  | 5/1991  | French        | ..... | D27/141              |



(56)

References Cited

U.S. PATENT DOCUMENTS

D538,914 S \* 3/2007 Nelson ..... D23/366  
 D550,827 S \* 9/2007 Ediger ..... D23/364  
 D557,783 S \* 12/2007 Yoo ..... D23/359  
 D560,849 S \* 1/2008 Yang ..... D27/142  
 D563,037 S \* 2/2008 Wong ..... D27/142  
 D567,348 S \* 4/2008 Kim ..... D23/351  
 D587,794 S \* 3/2009 Yoo ..... D23/359  
 D595,827 S \* 7/2009 Satou ..... D23/364  
 D608,434 S \* 1/2010 Niki ..... D23/364  
 D617,042 S \* 6/2010 Wong ..... D27/139  
 D619,689 S \* 7/2010 Bartlett ..... D23/329  
 D635,655 S \* 4/2011 Chen ..... D23/364  
 D636,530 S \* 4/2011 Arcos Bellvehi ..... D27/156  
 D658,280 S \* 4/2012 Niki ..... D23/364  
 D660,407 S \* 5/2012 Tebe Poves ..... D23/366  
 D661,835 S \* 6/2012 McDonough ..... D27/141  
 D664,710 S \* 7/2012 Van Keppel ..... D27/157  
 D672,858 S \* 12/2012 Abbondanzio ..... D23/366  
 D691,253 S \* 10/2013 Chen ..... D23/366  
 D702,825 S \* 4/2014 Satou ..... D23/364  
 D705,410 S \* 5/2014 Terao ..... D23/364  
 D716,997 S \* 11/2014 Frelander ..... D23/367  
 D725,253 S \* 3/2015 Choi ..... D23/359  
 D729,366 S \* 5/2015 Kauss ..... D23/360  
 D736,995 S \* 8/2015 Recio ..... D27/141

D743,099 S \* 11/2015 Oglesby ..... D27/101  
 D748,235 S \* 1/2016 Yamashita ..... D23/364  
 D753,336 S \* 4/2016 Chen ..... D27/101  
 D757,354 S \* 5/2016 Tong ..... D27/141  
 D757,921 S \* 5/2016 Li ..... D23/366  
 D760,428 S \* 6/2016 Rahbar ..... D27/141  
 D760,429 S \* 6/2016 Emarlou ..... D27/163  
 D768,331 S \* 10/2016 Chen ..... D27/101  
 D772,477 S \* 11/2016 Shin ..... D27/163  
 D775,762 S \* 1/2017 Chen ..... D27/101  
 2012/0255546 A1 \* 10/2012 Goetz ..... A61M 11/041  
 128/202.21  
 2015/0008149 A1 \* 1/2015 Liu ..... A24F 15/20  
 206/257  
 2015/0359266 A1 \* 12/2015 Memari ..... A24F 15/12  
 131/328  
 2016/0050975 A1 \* 2/2016 Worm ..... A24F 47/008  
 131/328  
 2016/0120218 A1 \* 5/2016 Schennum ..... A24F 15/12  
 206/266  
 2016/0150824 A1 \* 6/2016 Memari ..... A24F 47/008  
 131/329  
 2016/0165952 A1 \* 6/2016 Liu ..... A24F 15/12  
 206/256  
 2016/0165955 A1 \* 6/2016 Horne ..... A45F 5/02  
 131/328

\* cited by examiner

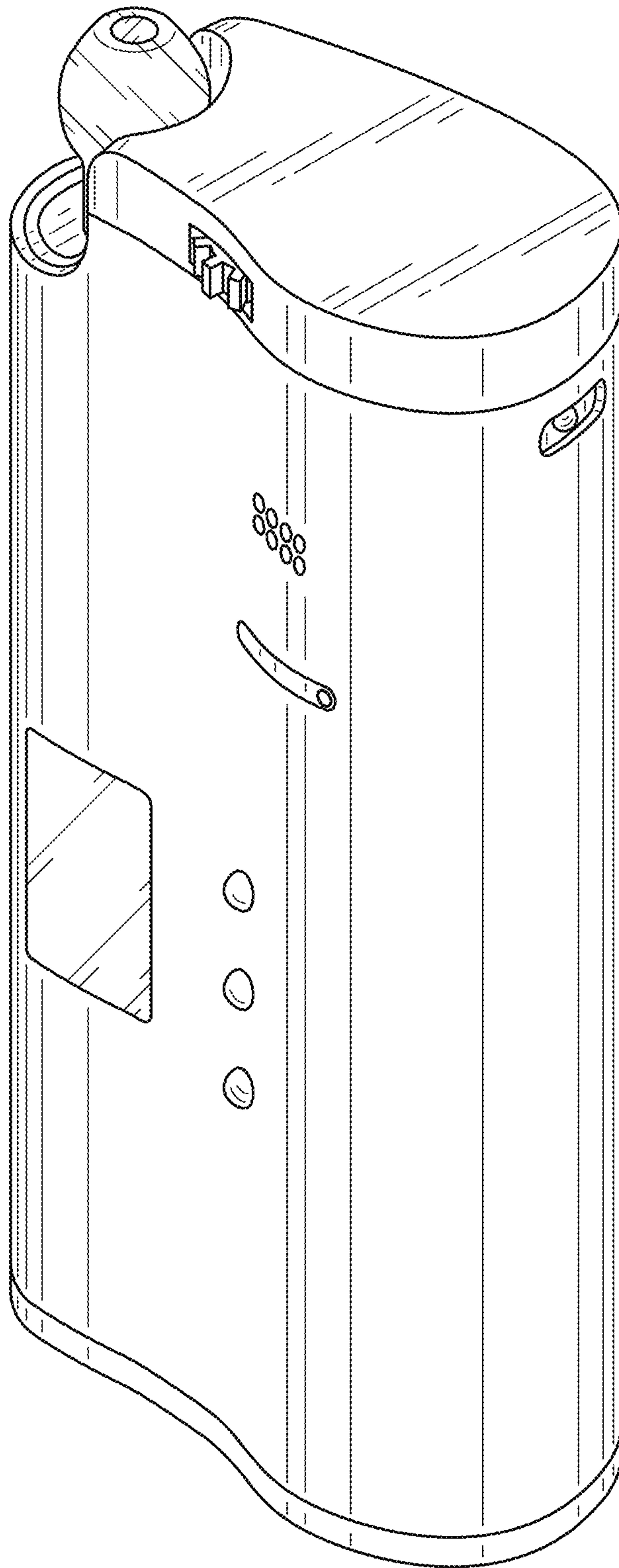


FIG.1



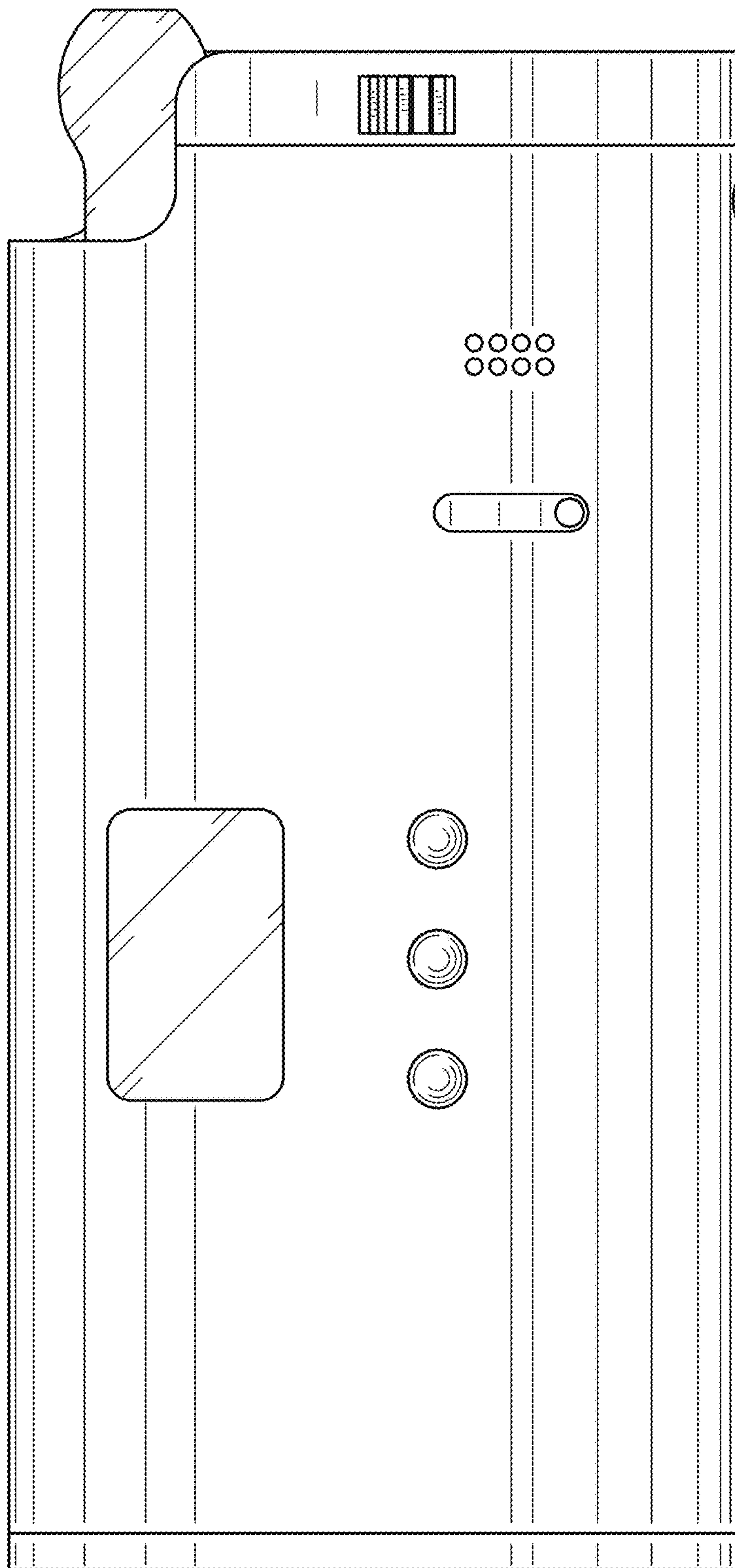


FIG.2

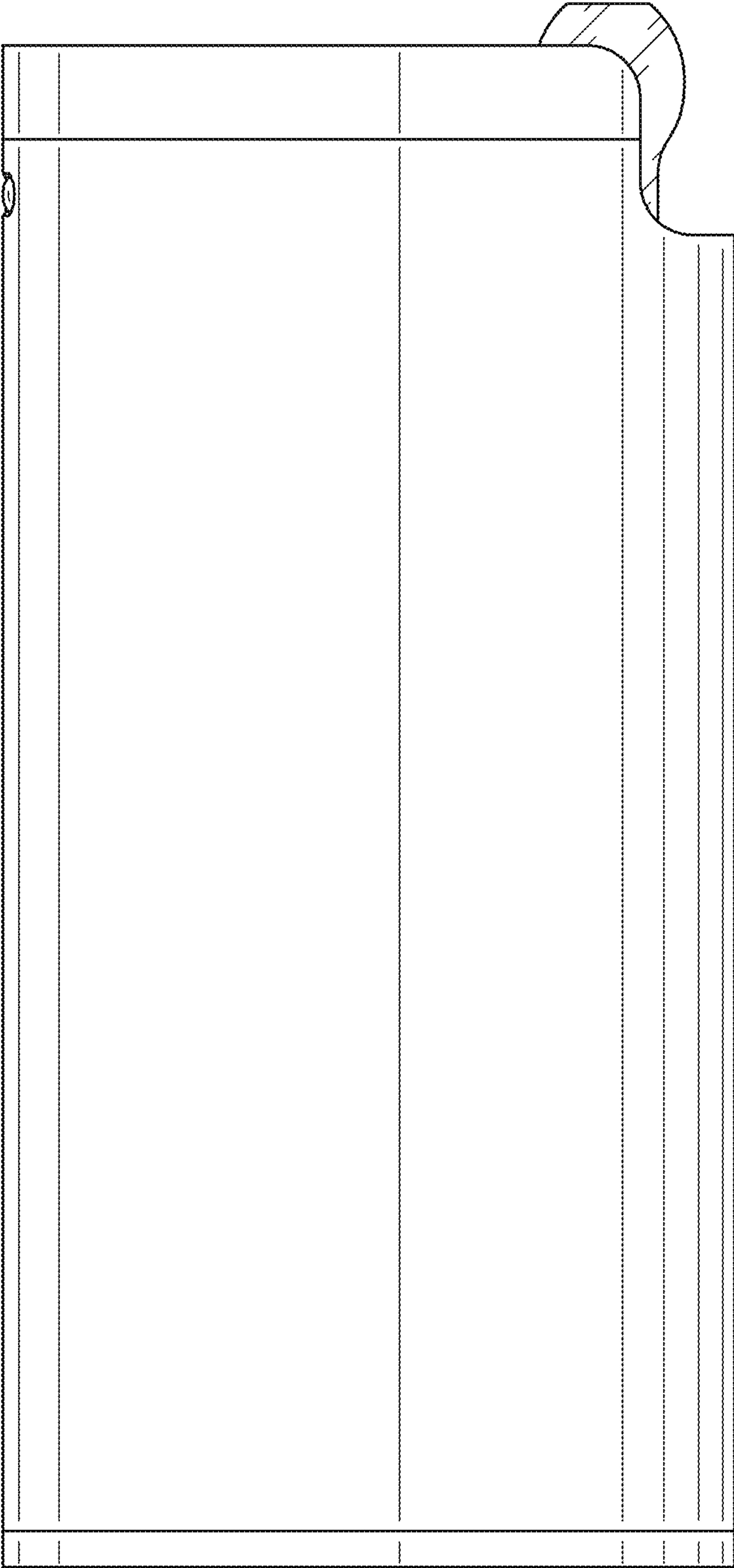


FIG.3

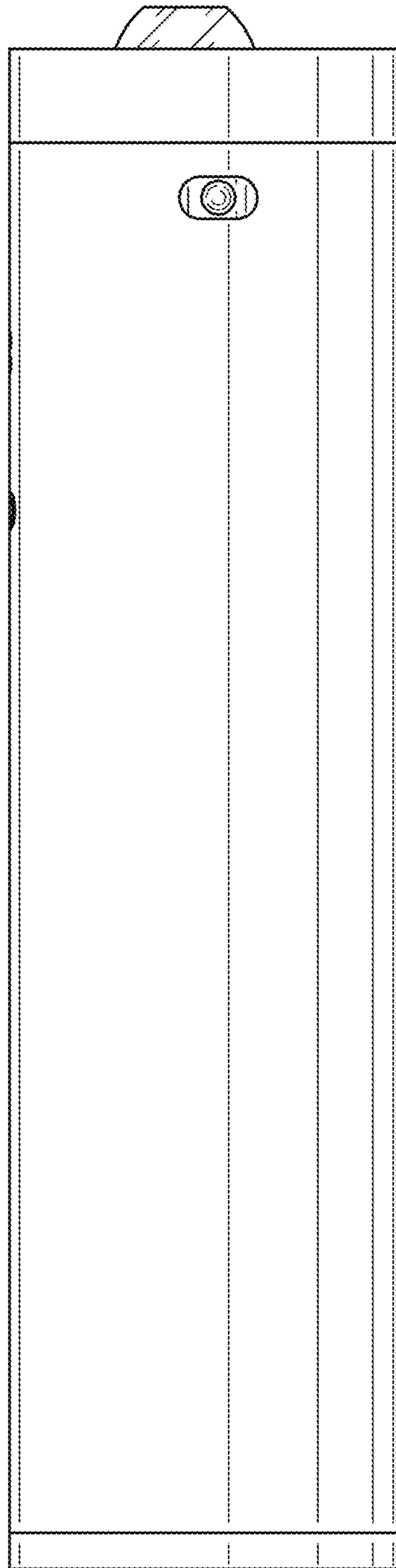


FIG.4

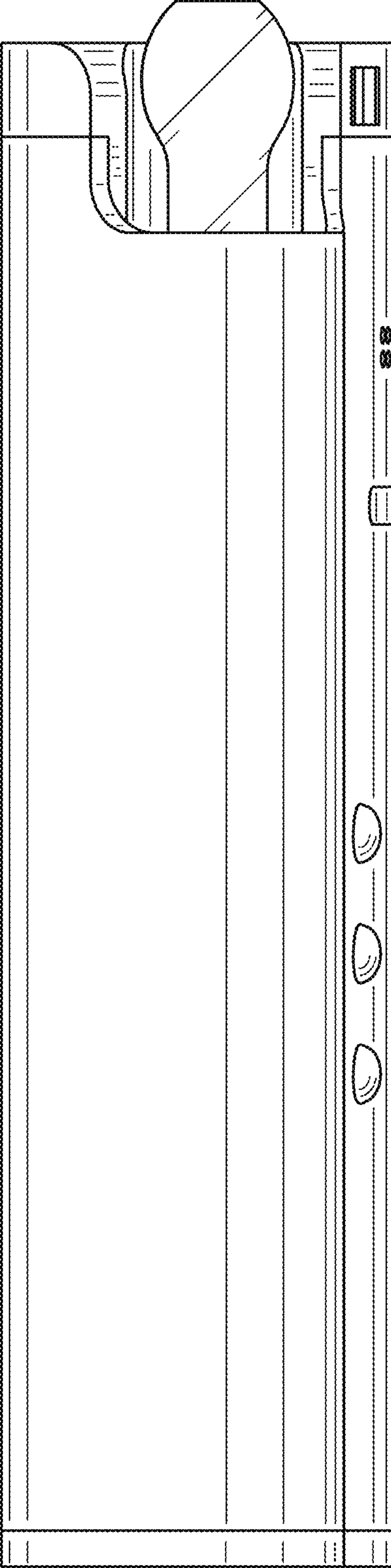


FIG.5

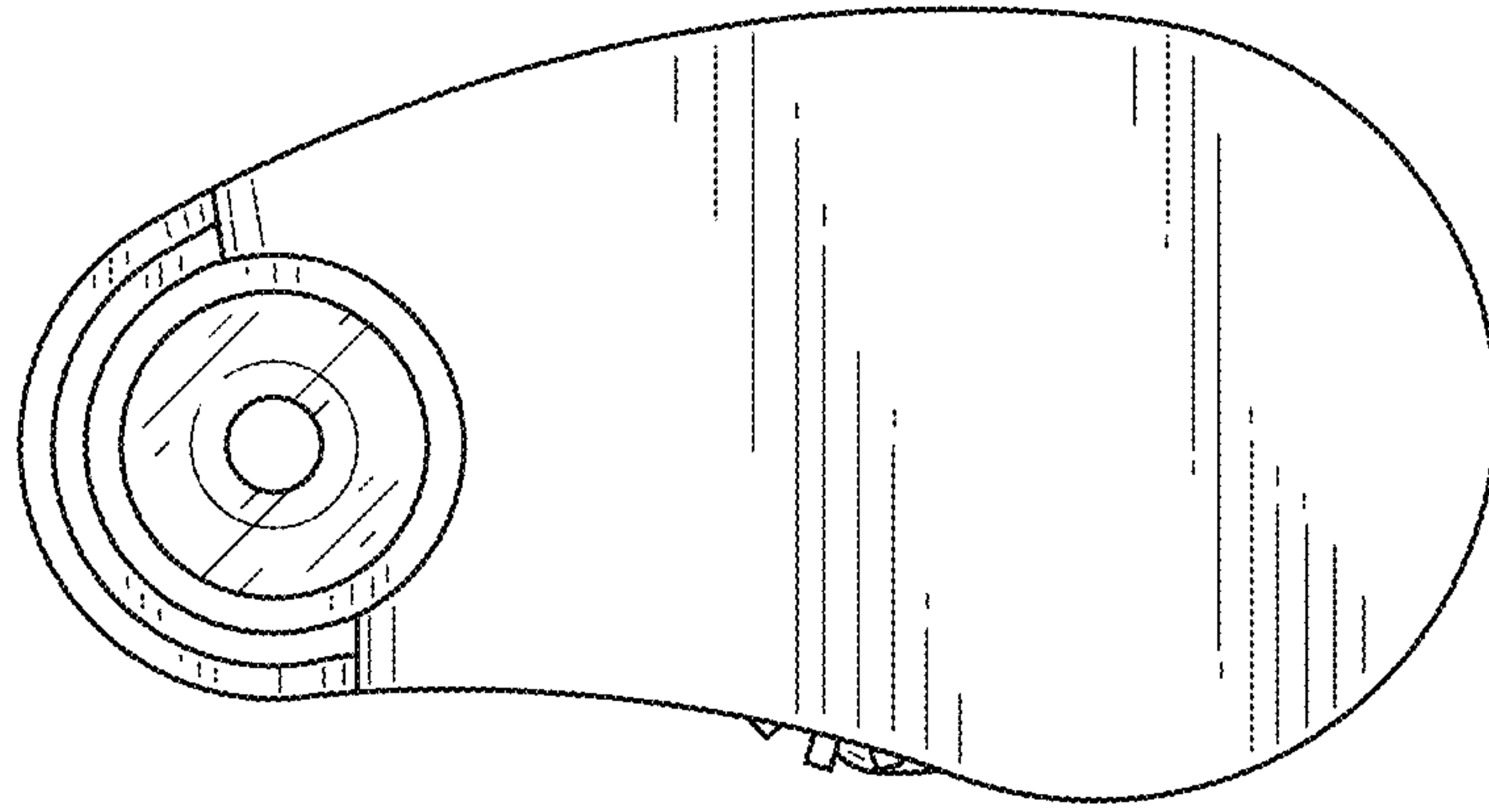


FIG. 6

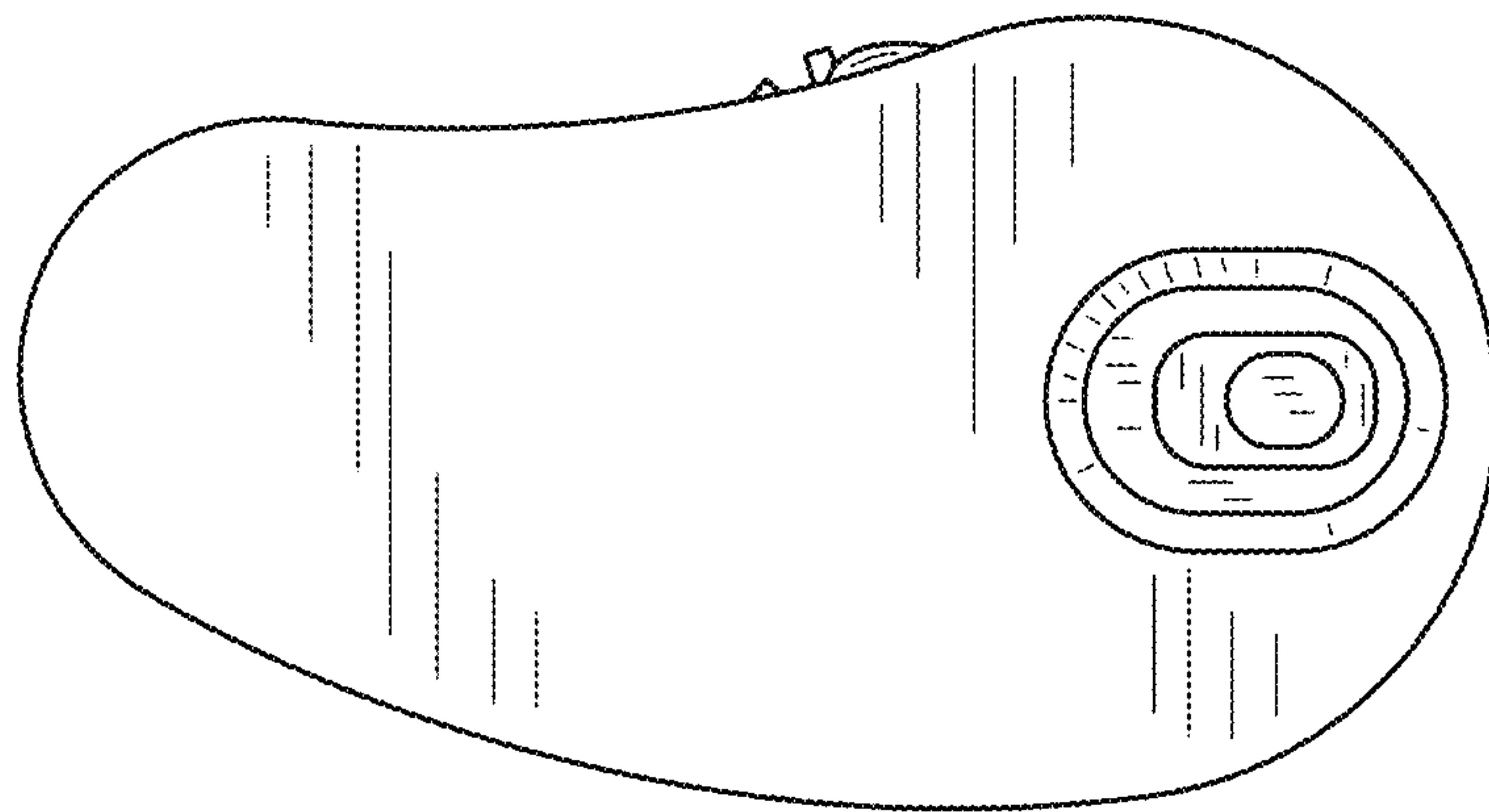


FIG. 7