

US00D801506S

(12) **United States Design Patent** (10) **Patent No.:** **US D801,506 S**
Sevy (45) **Date of Patent:** **** Oct. 31, 2017**

(54) **RECTANGULAR, DROP-IN, MODULAR DIFFUSER**

(71) Applicant: **Earl Vaughn Sevy**, Cedar City, UT (US)

(72) Inventor: **Earl Vaughn Sevy**, Cedar City, UT (US)

(**) Term: **15 Years**

(21) Appl. No.: **29/548,709**

(22) Filed: **Dec. 16, 2015**

(51) **LOC (10) Cl.** **23-04**

(52) **U.S. Cl.**
USPC **D23/366**

(58) **Field of Classification Search**
USPC D23/356-369, 213, 316, 386, 388, 209, D23/354, 341; D9/435, 770, 432; D32/31; 261/DIG. 17, DIG. 42, DIG. 65, 261/DIG. 88, DIG. 89; D24/162
CPC A61L 9/00; A61L 9/02; A61L 9/03; A61L 9/032; A61L 9/035; A61L 9/037; A61L 9/04; A61L 9/12; A61L 9/122; A61L 9/125; A61L 9/127; A61L 9/14; B05B 7/06; B05B 7/30; B05B 7/32; B05B 1/28; B05B 17/04; E21B 43/00; E21B 43/34; E21B 43/38; A01K 63/04; A01K 63/047; A61M 11/00

See application file for complete search history.

(56) **References Cited**

U.S. PATENT DOCUMENTS

2,826,454 A	3/1958	Coanda	
3,515,966 A	6/1970	De Valroger et al.	
3,641,757 A	2/1972	Rehn	
4,235,611 A	11/1980	Brownell	
4,243,396 A	1/1981	Cronenberg	
D285,606 S *	9/1986	Christopherson	D23/209
5,073,967 A *	12/1991	Marino	F24F 6/025 261/142

5,137,432 A	8/1992	Tsai	
5,201,641 A	4/1993	Richer	
5,248,448 A	9/1993	Waldron et al.	
5,549,247 A	8/1996	Rossmann et al.	
5,687,710 A	11/1997	Ambrosio et al.	
D407,477 S *	3/1999	Chen	D23/366

(Continued)

FOREIGN PATENT DOCUMENTS

CA	2519809 A1 *	10/2004	A61L 9/042
GB	2485280 A *	5/2012	A61L 9/015

(Continued)

OTHER PUBLICATIONS

Tetra Whisper Aquarium Air Pump 300, Aquarium Guys, Oct. 8, 2008 p. 1, <http://www.aquariumguys.com/tetraairpump4.html>.
(Continued)

Primary Examiner — Sheryl Lane
Assistant Examiner — Samantha Wood
(74) *Attorney, Agent, or Firm* — Pate Baird, PLLC

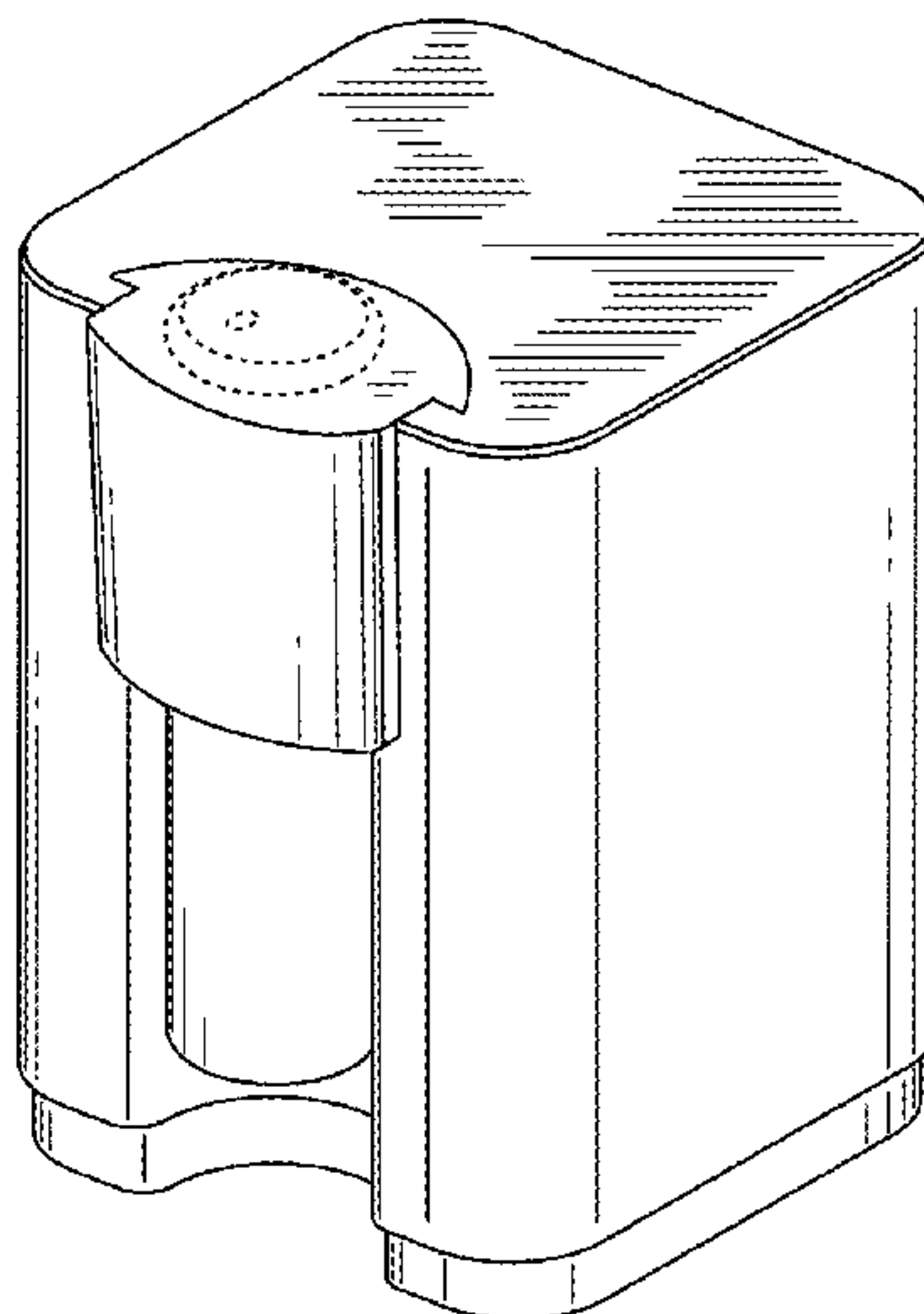
(57) **CLAIM**

The ornamental design for a rectangular, drop-in, modular diffuser, as shown and described.

DESCRIPTION

FIG. 1 is a frontal perspective view of a rectangular, drop-in modular diffuser;
FIG. 2 is a rear perspective view thereof;
FIG. 3 is a front elevation view thereof;
FIG. 4 is a rear elevation view thereof;
FIG. 5 is a left side elevation view thereof;
FIG. 6 is a right side elevation view thereof;
FIG. 7 is a top plan view thereof; and,
FIG. 8 is a bottom plan view thereof.
The broken lines showing selected features are for the purpose of illustrating environment and context of the article and form no part of the claimed design.

1 Claim, 3 Drawing Sheets



(56)

References Cited

U.S. PATENT DOCUMENTS

5,875,774 A 3/1999 Clementi et al.
 5,922,247 A 7/1999 Shoham et al.
 6,036,108 A * 3/2000 Chen B65D 83/262
 222/402.13
 6,168,392 B1 1/2001 Takano
 6,217,281 B1 4/2001 Jeng et al.
 6,220,579 B1 * 4/2001 Chen F22B 1/284
 261/131
 6,364,637 B1 4/2002 Hase et al.
 6,669,176 B2 12/2003 Rock
 D491,258 S 6/2004 Sevy
 D491,259 S 6/2004 Garrison et al.
 D492,020 S 6/2004 Sevy
 D509,893 S 9/2005 Sevy
 6,968,069 B1 11/2005 Zhao
 D520,129 S 5/2006 Sevy
 D526,710 S 8/2006 Sevy
 7,407,118 B2 8/2008 Sevy
 D606,643 S * 12/2009 Butler D23/366
 7,712,683 B2 5/2010 Robert et al.
 7,930,068 B2 4/2011 Robert et al.
 D658,423 S * 5/2012 Curtis D7/306
 D663,565 S * 7/2012 Yang D7/306
 D680,638 S * 4/2013 Chou D23/366
 D734,550 S * 7/2015 Schlatter D28/83
 D758,120 S * 6/2016 Garman D7/306
 2008/0283049 A1 11/2008 Mahoney et al.
 2014/0224897 A1 * 8/2014 Garagnon A61L 2/00
 239/43

FOREIGN PATENT DOCUMENTS

JP 2001046920 9/2002
 JP 3181745 U * 2/2013 B05B 7/32

OTHER PUBLICATIONS

Optima Air Pump A807, Aquarium Guys, Oct. 8, 2008, p. 1, <http://www.aquariumguys.com/optimaairpump.html>.
 Silent Air X-4 Air Pump, Aquarium Guys, Oct. 8, 2008, p. 1, <http://www.aquariumguys.com/optimaairpump4.html>.
 Whisper 60 Aquarium Air Pump, Aquarium Guys, Oct. 8, 2008, p. 1, <http://www.aquariumguys.com/tetra-whisper60-air-pump.html>.
 Rena Air 400 Air Pump 702E, Aquarium Guys, Oct. 8, 2008, p. 1, <http://www.aquariumguys.com/renairpump4.html>.
 Tom Stellar Air Pumps S-30, Fish Tanks Direct, Oct. 8, 2008, p. 1, <http://www.fishtanksdirect.com/index.asp?PageAction=VIEWPROD&ProdID=2102>.
 Aroma-Globe™ Essential Oil Diffuser/Nebulizer Diffuser World, Oct. 8, 2008, p. 1 <http://www.diffuserworld.com/aromaglobATM-essential-oil-diffusernebulizer-p-10.html>.
 Nebulizing Diffuser, Betterherbs, Oct. 8, 2008, <http://betterherbs.serrahost.com/Detail.bok?no=397>.
 Auroma Nebulizer for the House, Shop.com, Oct. 8, 2008, p. 1 http://www.shop.com/Auroma_Nebulizer_for_the_House_diffuser-46805905-p!.shtml.
 Aura Cacia Electric Diffuser House Model, Shop.com, Oct. 8, 2008, p. 1, http://www.shop.com/Aura_Cacia_Electric_Diffuser_House_Model_diffuser-46805768-p!.shtml.
 Essential Air Room Diffusers, Leyden House, Oct. 8, 2008, p. 1 <http://www.leydenhouse.com/diffusers.html>.
<http://www.air-roma.com/diffusers>, Mar. 21, 2013.
http://www.prolitec.com/appliances_commercial.htm, Mar. 21, 2013.
<http://scentair.com/why-scentair-solutions/>, Mar. 21, 2013.
<http://www.brandaroma.com/products/>, Mar. 21, 2013.
<http://www.e2aroma.com/appliances/smart-air-maxi/>, Mar. 21, 2013.
<http://www.scentaustralia.com.au/index.php/products/scent-diffuser-zephyr>, Mar. 21, 2013.
<http://www.voitair.com/scent-systems>, Mar. 21, 2013.
<http://www.fragrancemachine.com/>, Mar. 21, 2013.

* cited by examiner

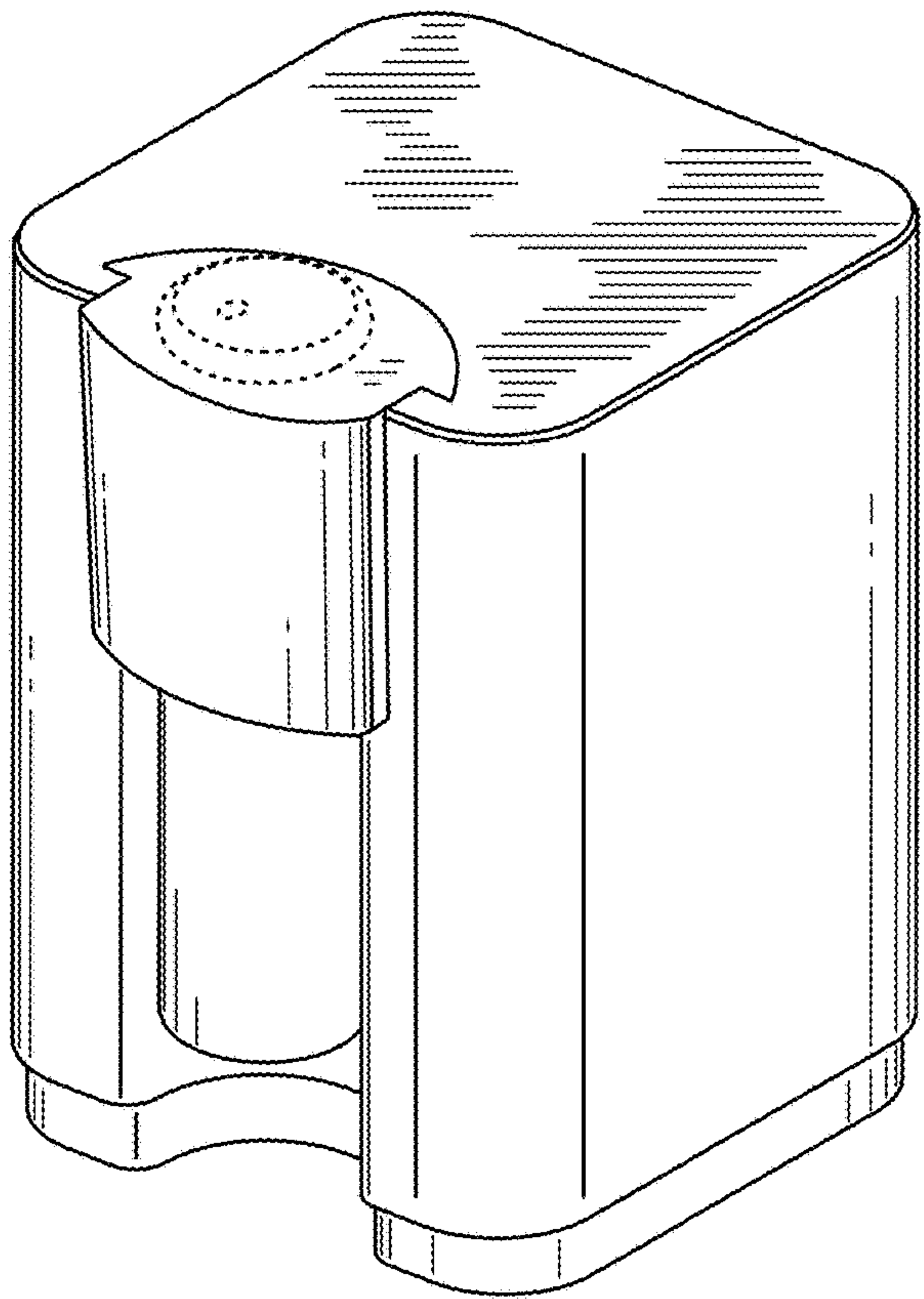


FIG. 1

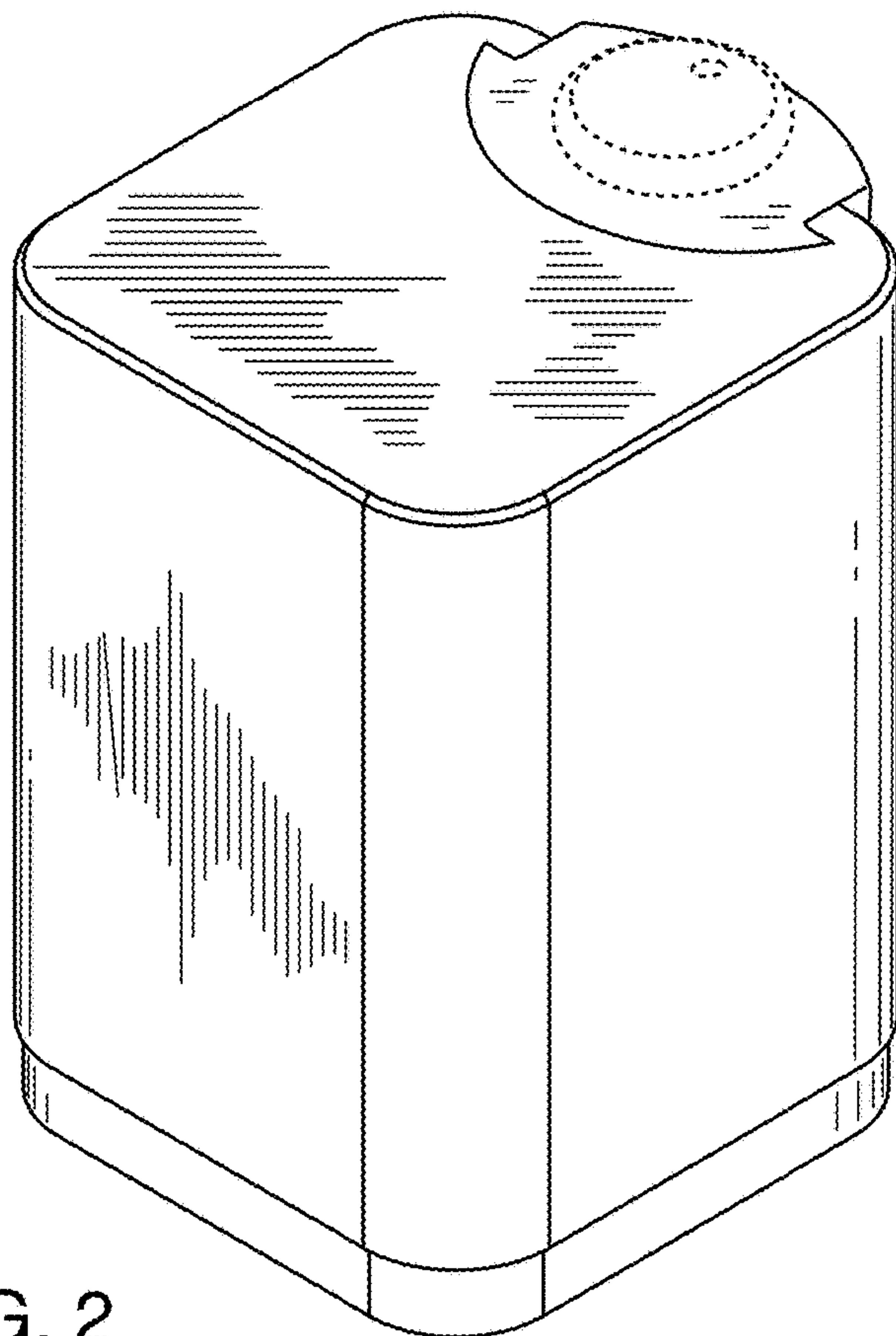


FIG. 2

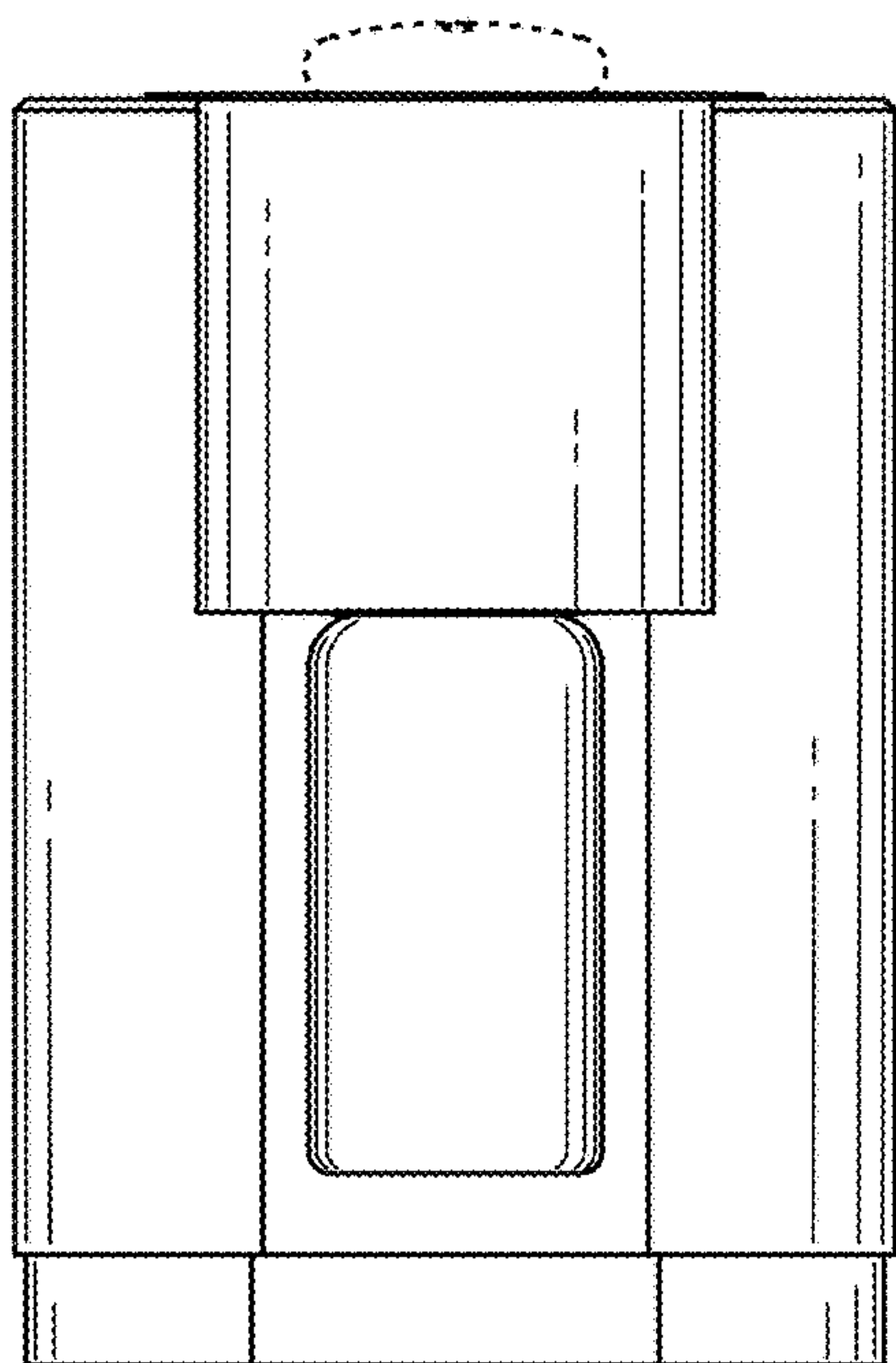


FIG. 3

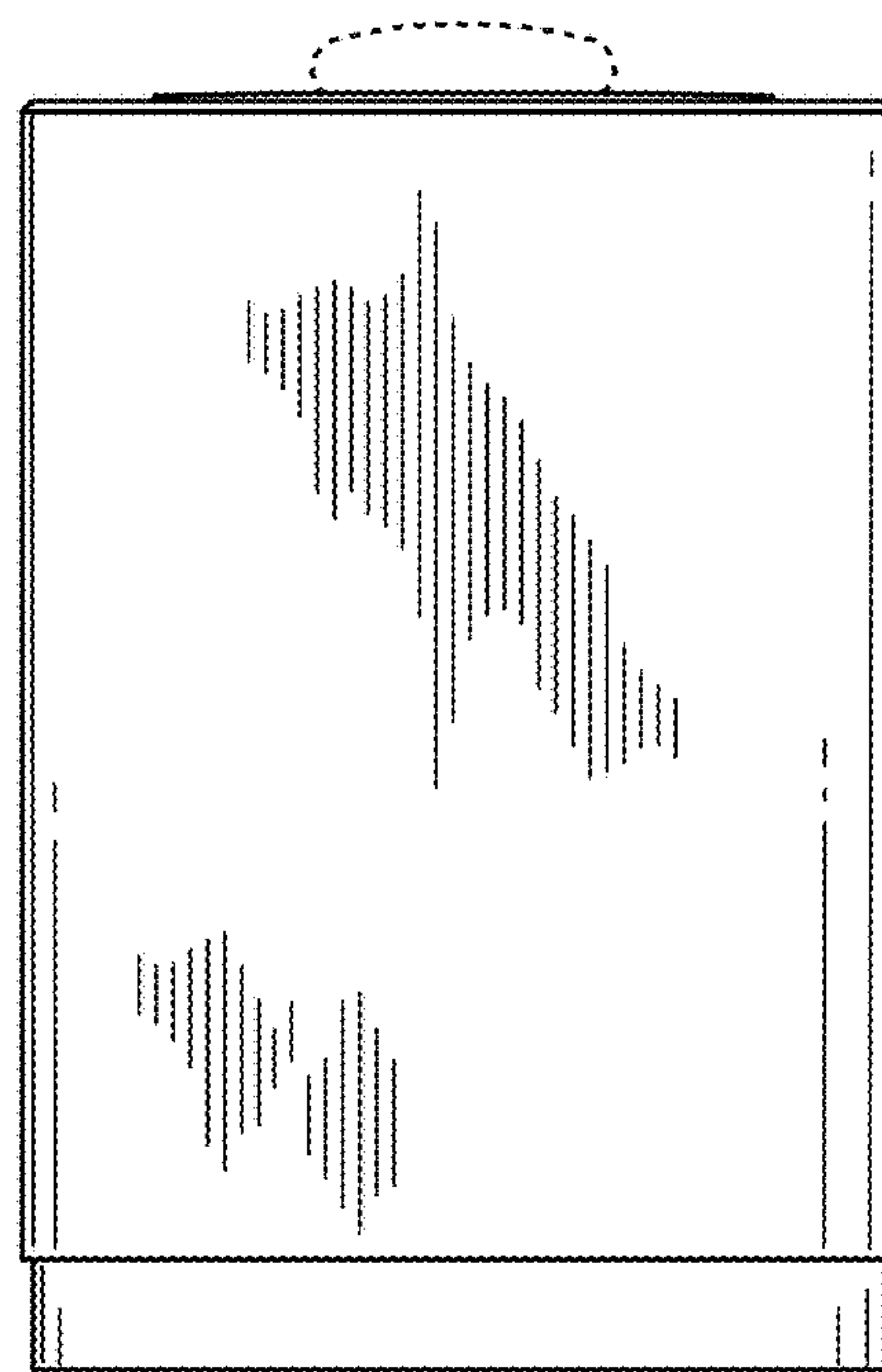


FIG. 4

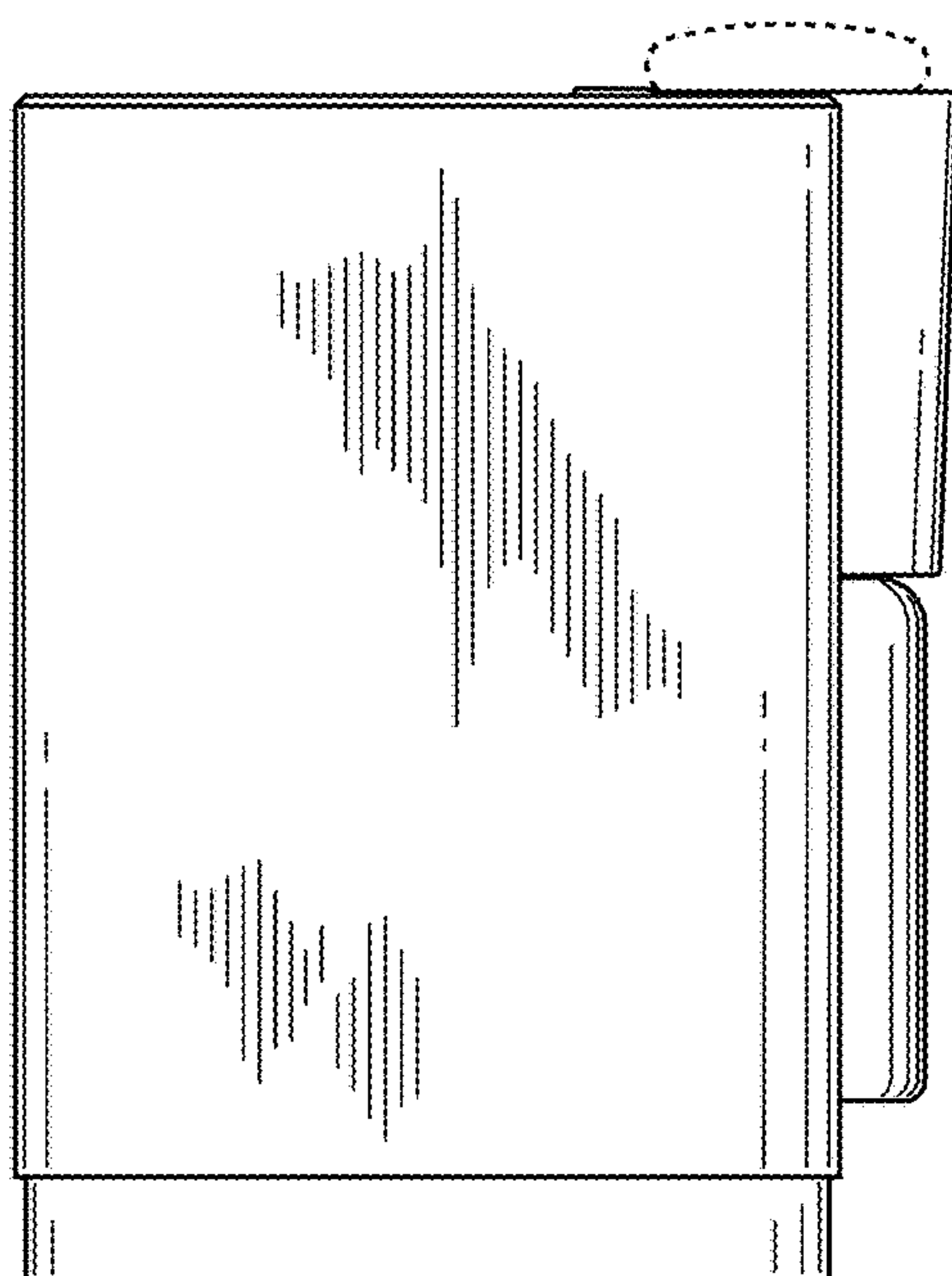


FIG. 5

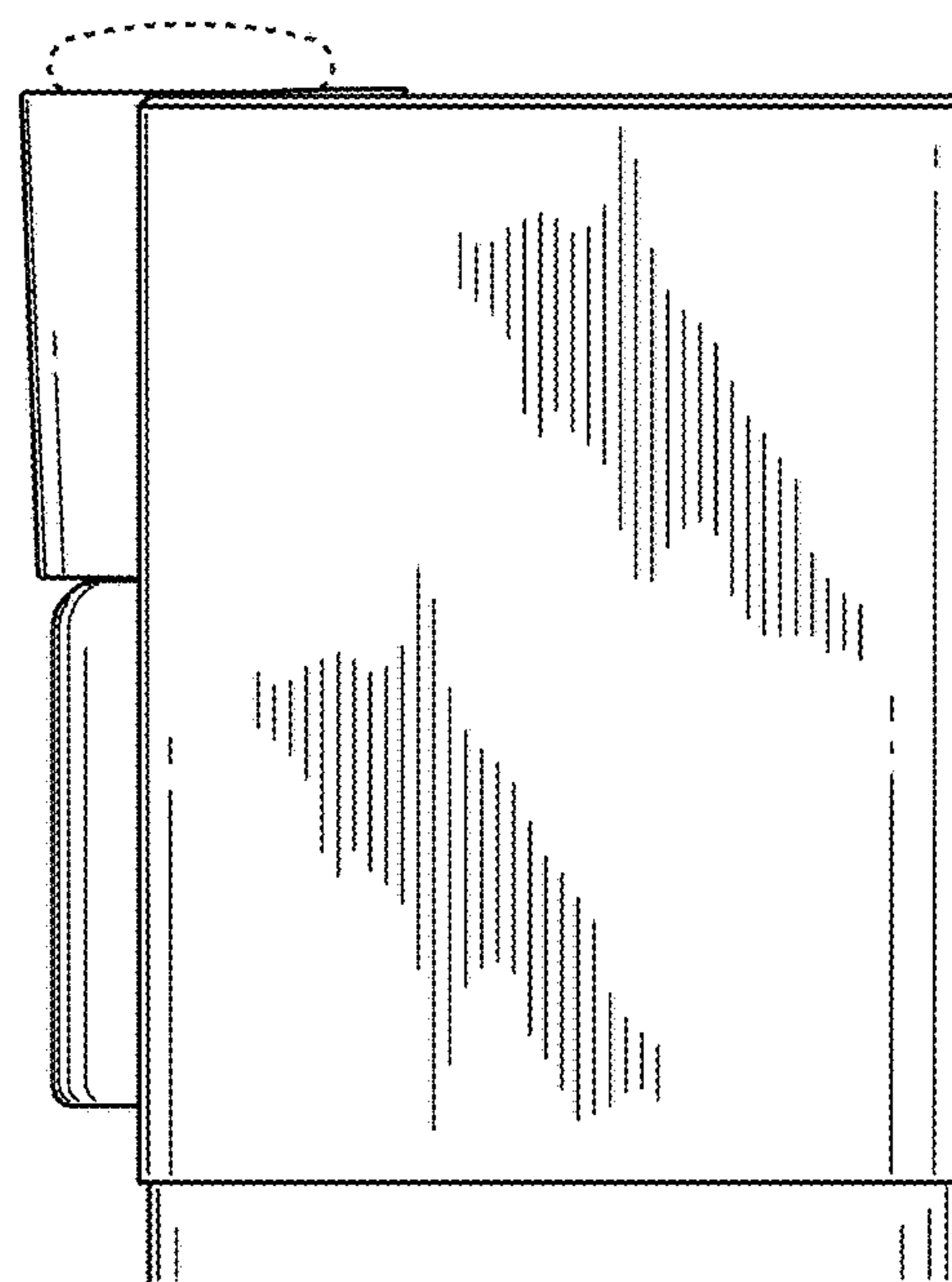


FIG. 6

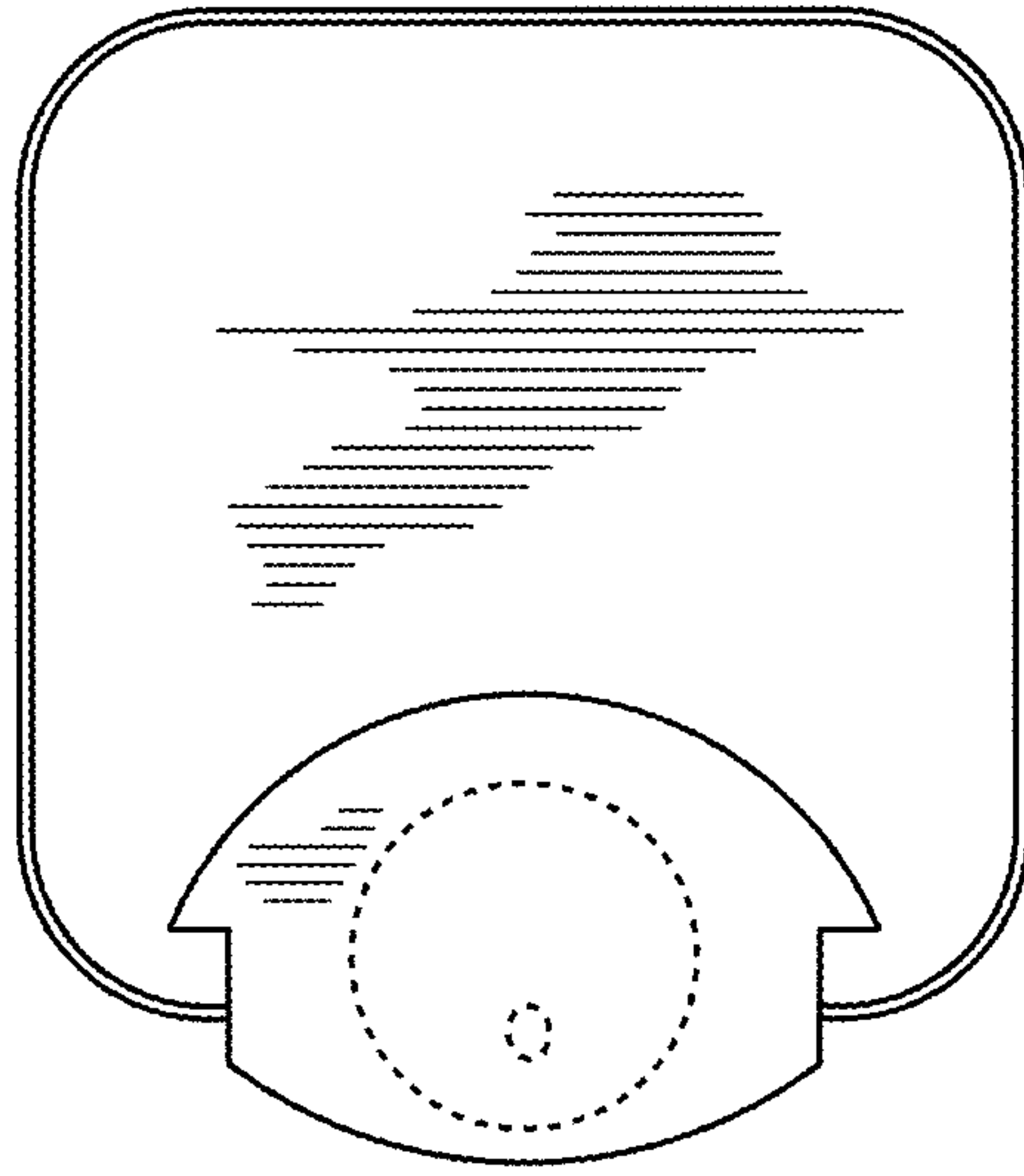


FIG. 7

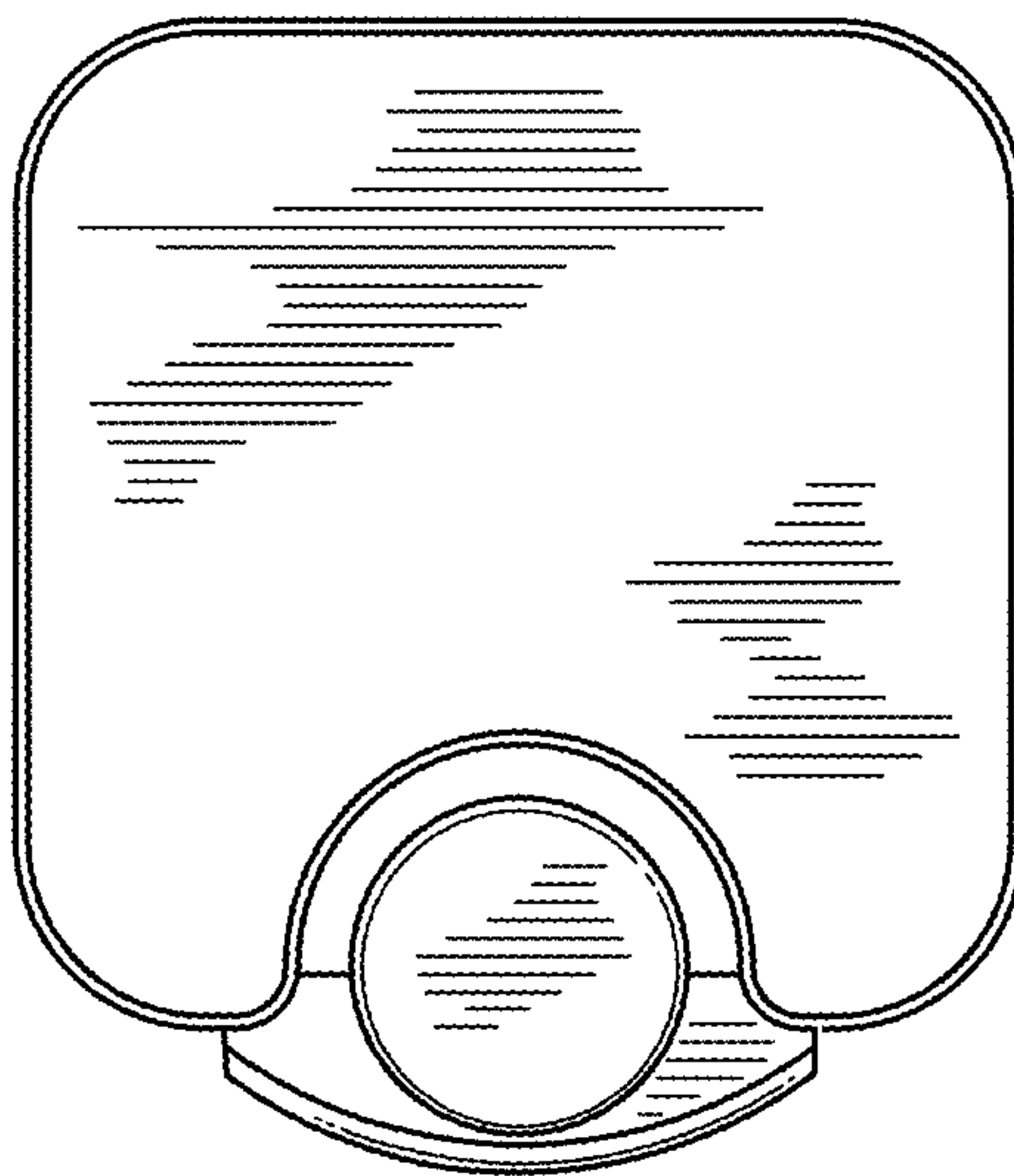


FIG. 8