



US00D801498S

(12) **United States Design Patent** (10) **Patent No.:** **US D801,498 S**
Li et al. (45) **Date of Patent:** **** Oct. 31, 2017**

(54) **AIR CONDITIONER**

(56) **References Cited**

(71) Applicants: **GD MIDEA AIR-CONDITIONING EQUIPMENT CO., LTD.**, Foshan (CN); **MIDEA GROUP CO., LTD.**, Foshan (CN)

U.S. PATENT DOCUMENTS

D565,158 S	3/2008	Nagahori	
D579,095 S *	10/2008	Nagahori	D23/351
D612,469 S *	3/2010	Nagahori	D23/351
D621,018 S *	8/2010	Nagahori	D23/351
D621,920 S *	8/2010	Yamana	D23/351
D667,095 S *	9/2012	Yamana	D23/351
D669,161 S *	10/2012	Yamana	D23/351
D669,566 S *	10/2012	Yamana	D23/351
D669,567 S *	10/2012	Yamana	D23/351
D688,780 S *	8/2013	Nakai	D23/351
D689,176 S *	9/2013	Kato	D23/351
D689,177 S *	9/2013	Kato	D23/351
D689,179 S *	9/2013	Nishiguchi	D23/351
D690,801 S *	10/2013	Nakai	D23/351

(72) Inventors: **Sanxin Li**, Foshan (CN); **Yongyi Yang**, Foshan (CN); **Baoyu Li**, Foshan (CN)

(73) Assignees: **GD MIDEA AIR-CONDITIONING EQUIPMENT CO., LTD.**, Foshan (CN); **MIDEA GROUP CO., LTD.**, Foshan (CN)

(**) Term: **15 Years**

(Continued)

(21) Appl. No.: **29/587,819**

Primary Examiner — George D. Kirschbaum

(22) Filed: **Dec. 15, 2016**

Assistant Examiner — Natasha Vujcic

Related U.S. Application Data

(74) *Attorney, Agent, or Firm* — Hodgson Russ LLP

(62) Division of application No. 29/538,687, filed on Sep. 6, 2015, now abandoned.

(30) **Foreign Application Priority Data**

Mar. 31, 2015 (CN) 2015 3 0080649
May 27, 2015 (EM) 002707810-0002

(57) **CLAIM**

The ornamental design for an air conditioner, as shown and described.

(51) **LOC (10) Cl.** **23-04**

DESCRIPTION

(52) **U.S. Cl.**
USPC **D23/351**

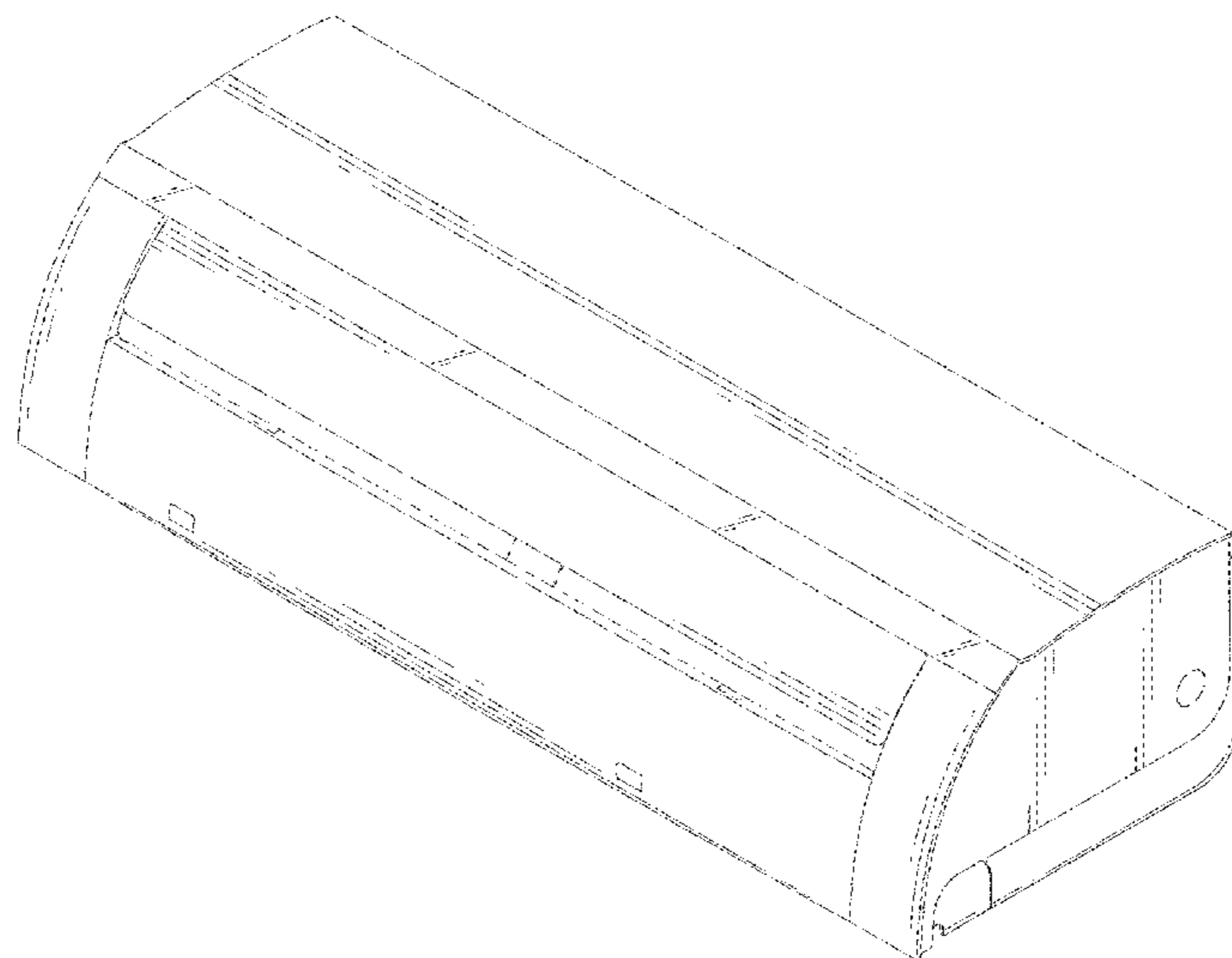
(58) **Field of Classification Search**
USPC D23/333, 335, 341, 342, 351, 353, 354,
D23/355, 356, 359, 364, 365, 370, 385,
D23/386, 388, 393
CPC F24F 1/00; F24F 1/0007; F24F 1/02; F24F
1/08; F24F 1/42; F24F 1/56; F24F 1/60;
F24F 3/044; F24F 3/048; F24F 3/16;
F24F 7/00; F24F 7/04; F24F 12/001;
F24F 12/006

FIG. 1 is a perspective view of an air conditioner embodying the inventive ornamental design;
FIG. 2 is a front view thereof;
FIG. 3 is a left side view thereof;
FIG. 4 is a right side view thereof;
FIG. 5 is a top view thereof; and,
FIG. 6 is a bottom view thereof.

The rear view of the air conditioner is omitted as it does not include any claimed features. The broken lines illustrate unclaimed features that form no part of the claimed design.

See application file for complete search history.

1 Claim, 4 Drawing Sheets



(56)

References Cited

U.S. PATENT DOCUMENTS

D699,825 S	2/2014	Ikeda	
D720,059 S	12/2014	Niki	
D720,060 S	12/2014	Murai et al.	
D720,062 S	12/2014	Guojie	
D720,445 S	12/2014	Murai et al.	
D744,076 S	11/2015	Xu et al.	
D760,882 S	7/2016	Park et al.	
D761,404 S	7/2016	Chouji et al.	
D761,405 S	7/2016	Chouji et al.	
D761,406 S	7/2016	Zhang	
D763,421 S	8/2016	Saitou	
D777,894 S *	1/2017	Kato	D23/351

* cited by examiner

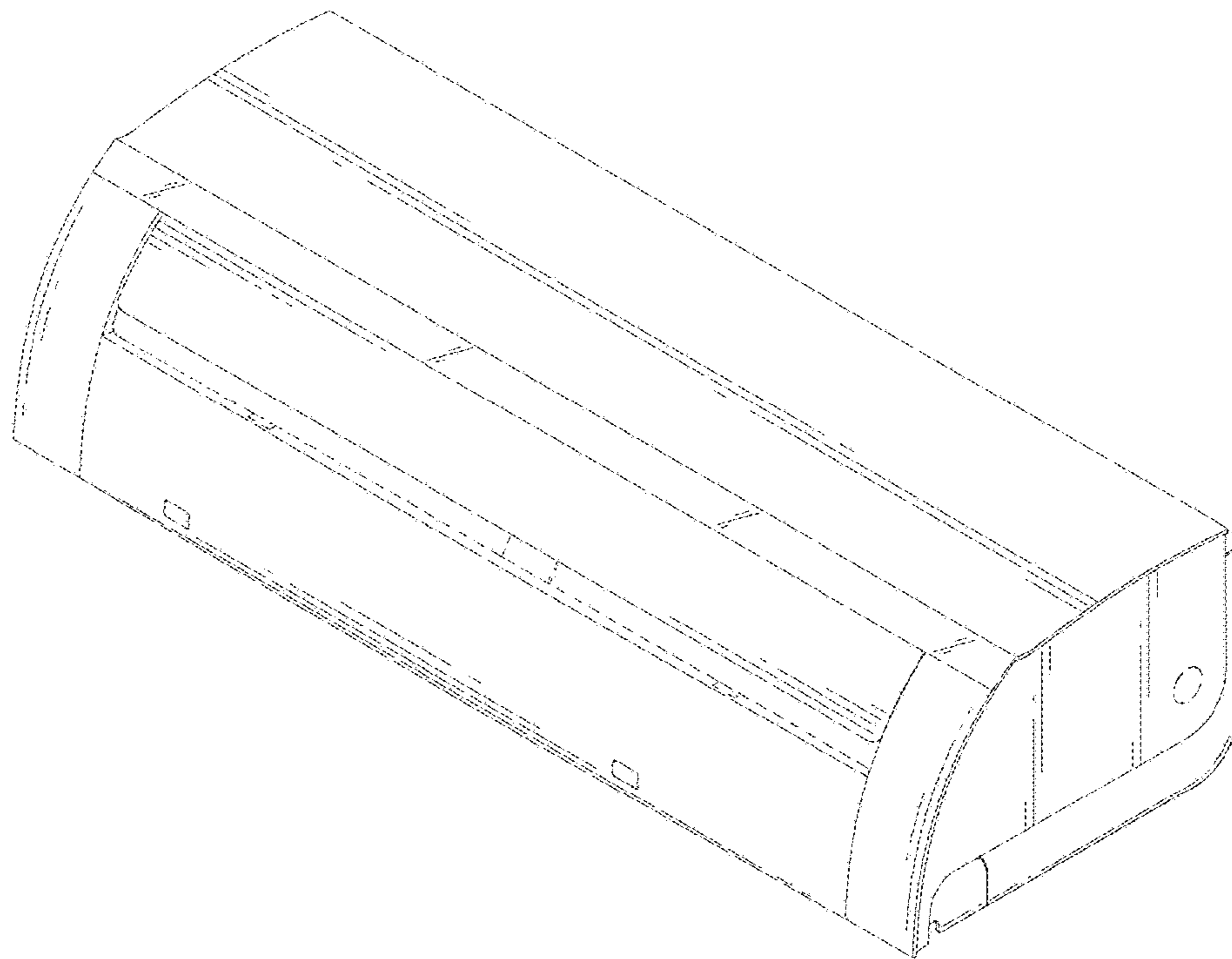


Fig. 1

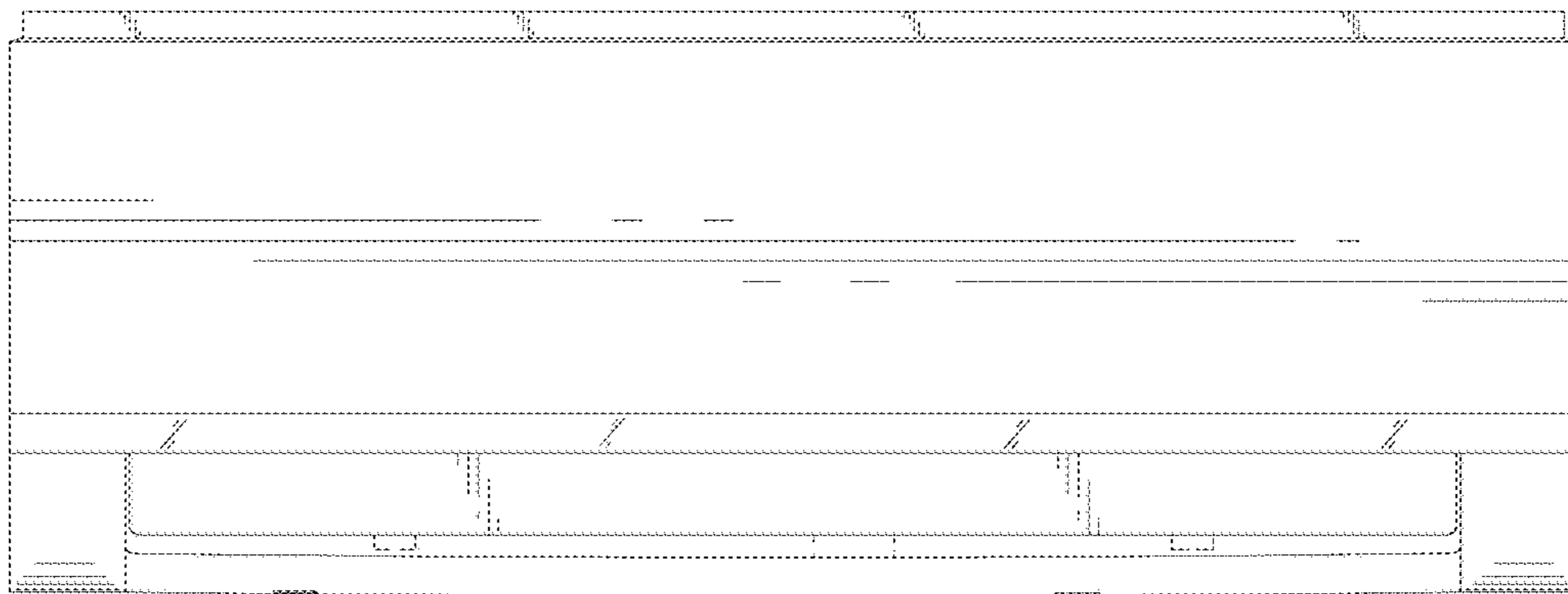


Fig. 2

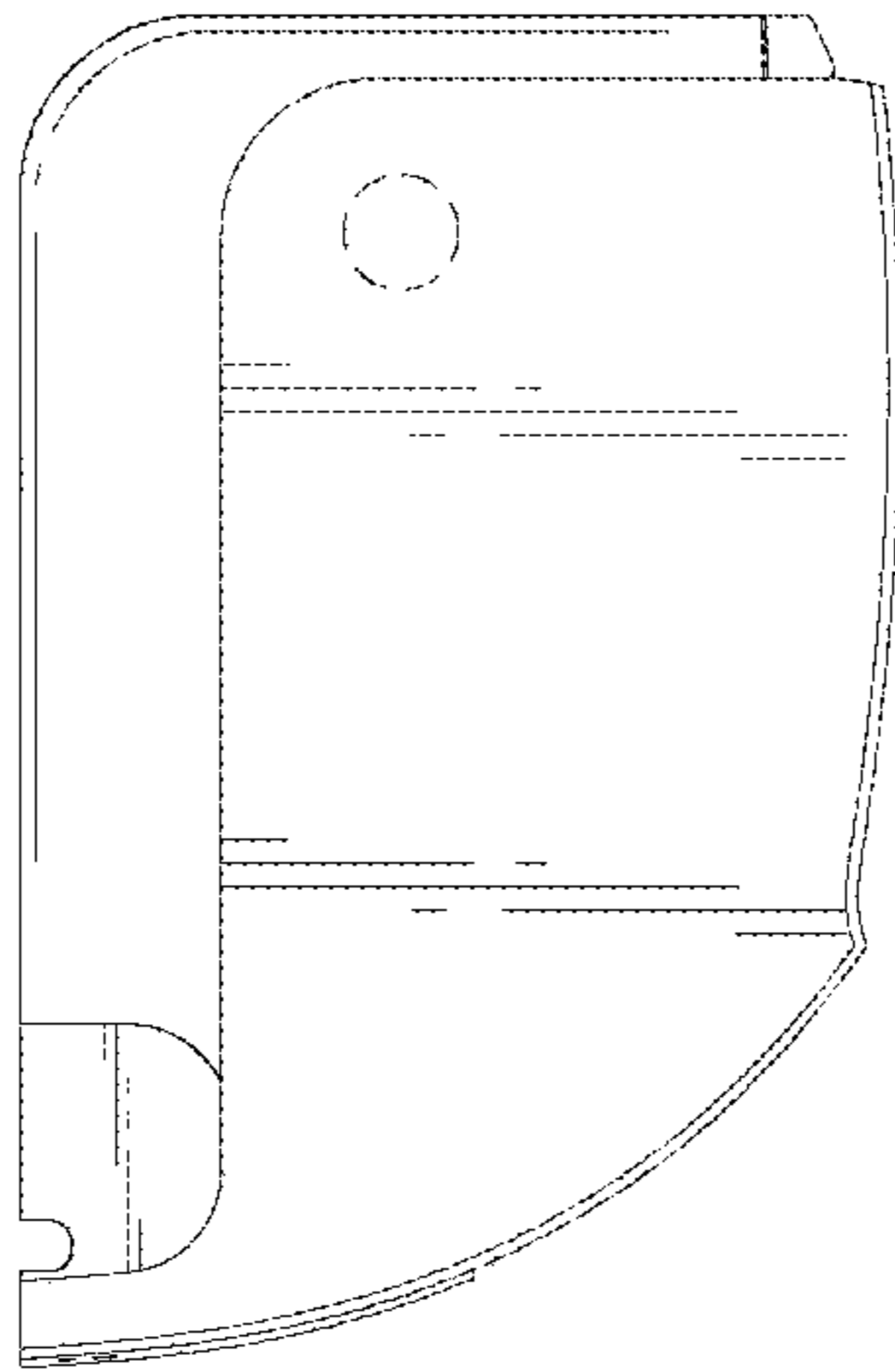


Fig. 3

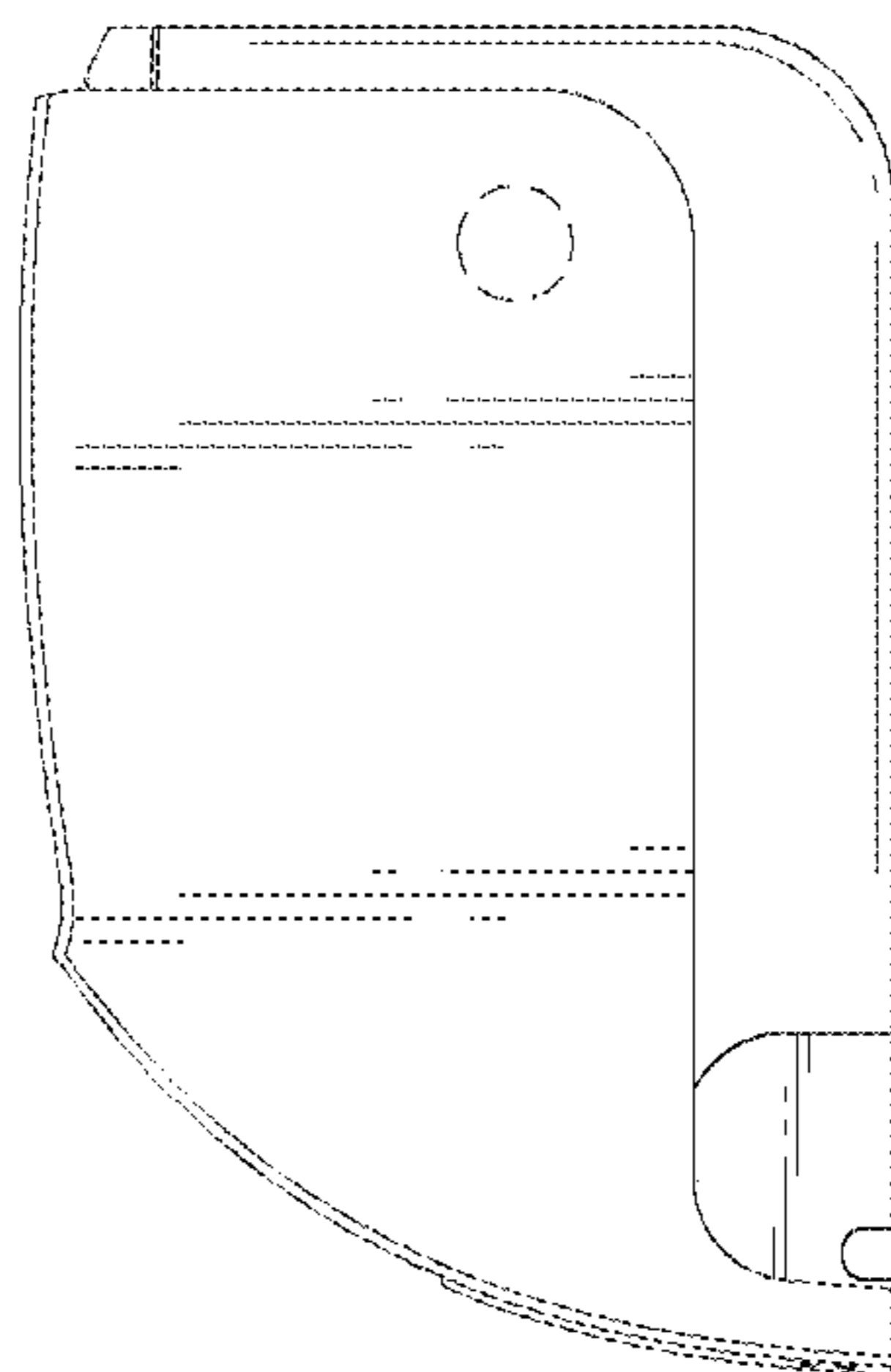


Fig. 4

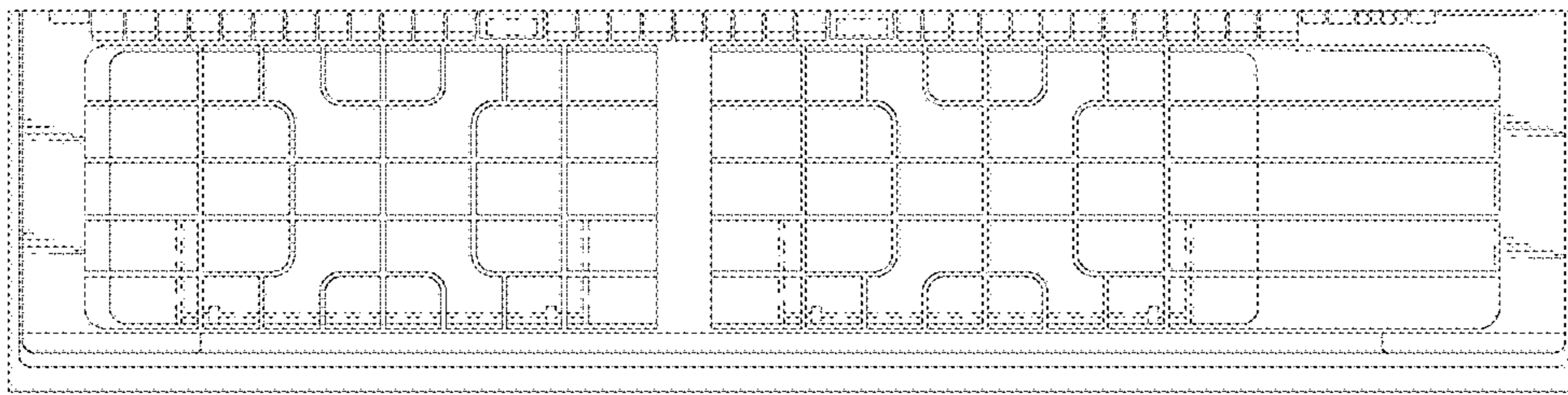


Fig. 5

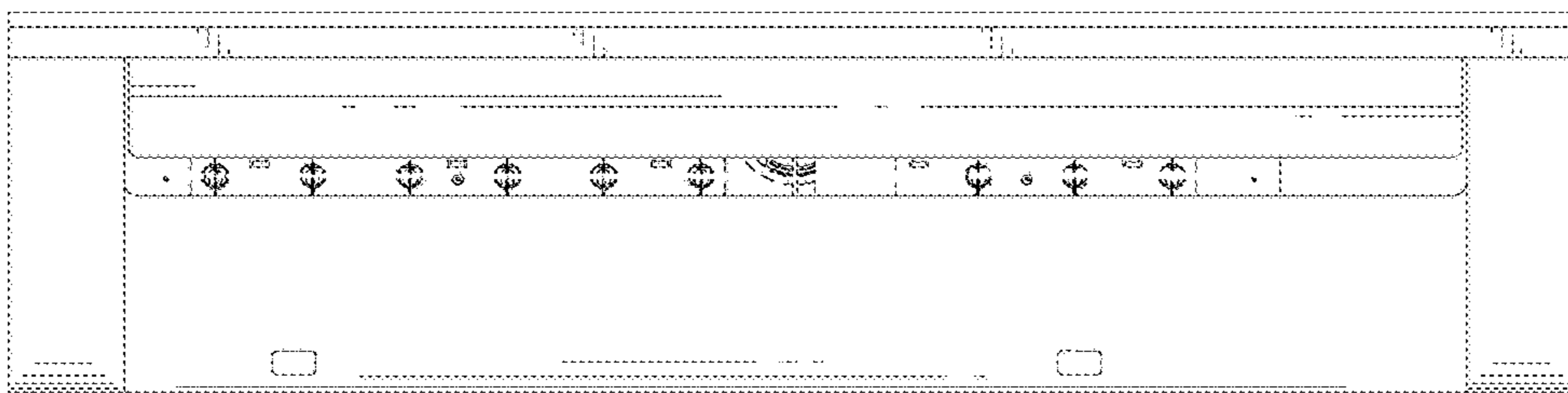


Fig. 6