



US00D801496S

(12) **United States Design Patent**  
**Letham**

(10) **Patent No.:** **US D801,496 S**  
(45) **Date of Patent:** **\*\* Oct. 31, 2017**

- (54) **HEATING SLEEVE**
- (71) Applicant: **Shaun Letham**, Marion Center, PA (US)
- (72) Inventor: **Shaun Letham**, Marion Center, PA (US)
- (\*\*) Term: **15 Years**
- (21) Appl. No.: **29/564,502**
- (22) Filed: **May 13, 2016**
- (51) **LOC (10) Cl.** ..... **23-03**
- (52) **U.S. Cl.**  
USPC ..... **D23/336; D7/608**
- (58) **Field of Classification Search**  
USPC ..... D23/328, 332, 144.1; D7/323, 331, 355, D7/356, 362, 365  
CPC ..... A47J 36/2411; A47J 36/2433; A47J 36/2461; A47J 36/2483  
See application file for complete search history.

- D336,128 S \* 6/1993 Sherrill ..... D23/386
- 5,283,420 A \* 2/1994 Montalto ..... A47G 19/2288  
219/432
- 5,390,804 A \* 2/1995 Beggins ..... B65D 23/0885  
215/12.1
- 5,436,429 A \* 7/1995 Cline ..... A47J 36/2433  
219/202
- 5,467,891 A \* 11/1995 Perry ..... B65D 81/3886  
220/62.11

(Continued)

**FOREIGN PATENT DOCUMENTS**

WO WO2006040540 4/2006

**OTHER PUBLICATIONS**

Durtherm Processing Systems, Swaged Sleeve Heaters, undated, online product page, noted for MAXPAK product, Retrieved Apr. 27 from <URL:http://www.duratherm.com/swaged-sleeve-heaters/>.\*

*Primary Examiner* — Sheryl Lane  
*Assistant Examiner* — Calvin E Vansant

(56) **References Cited**

**U.S. PATENT DOCUMENTS**

- 2,516,637 A \* 7/1950 McCollum ..... A47J 36/2433  
219/433
- 3,079,486 A 2/1963 Winchell
- 3,432,641 A \* 3/1969 Welke ..... A47J 36/2433  
219/240
- 3,892,945 A \* 7/1975 Lerner ..... A47J 36/2433  
200/85 R
- 4,344,303 A \* 8/1982 Kelly, Jr. .... A61F 7/10  
215/12.1
- 4,442,343 A \* 4/1984 Genuit ..... A47J 36/2466  
219/386
- 4,462,444 A \* 7/1984 Larson ..... B65D 81/3886  
215/12.1
- 4,801,782 A \* 1/1989 Ineson ..... A47J 36/2466  
219/438
- D305,396 S \* 1/1990 Weller ..... D7/347
- 4,943,705 A \* 7/1990 Halloran ..... A47J 36/2483  
219/385

(57) **CLAIM**

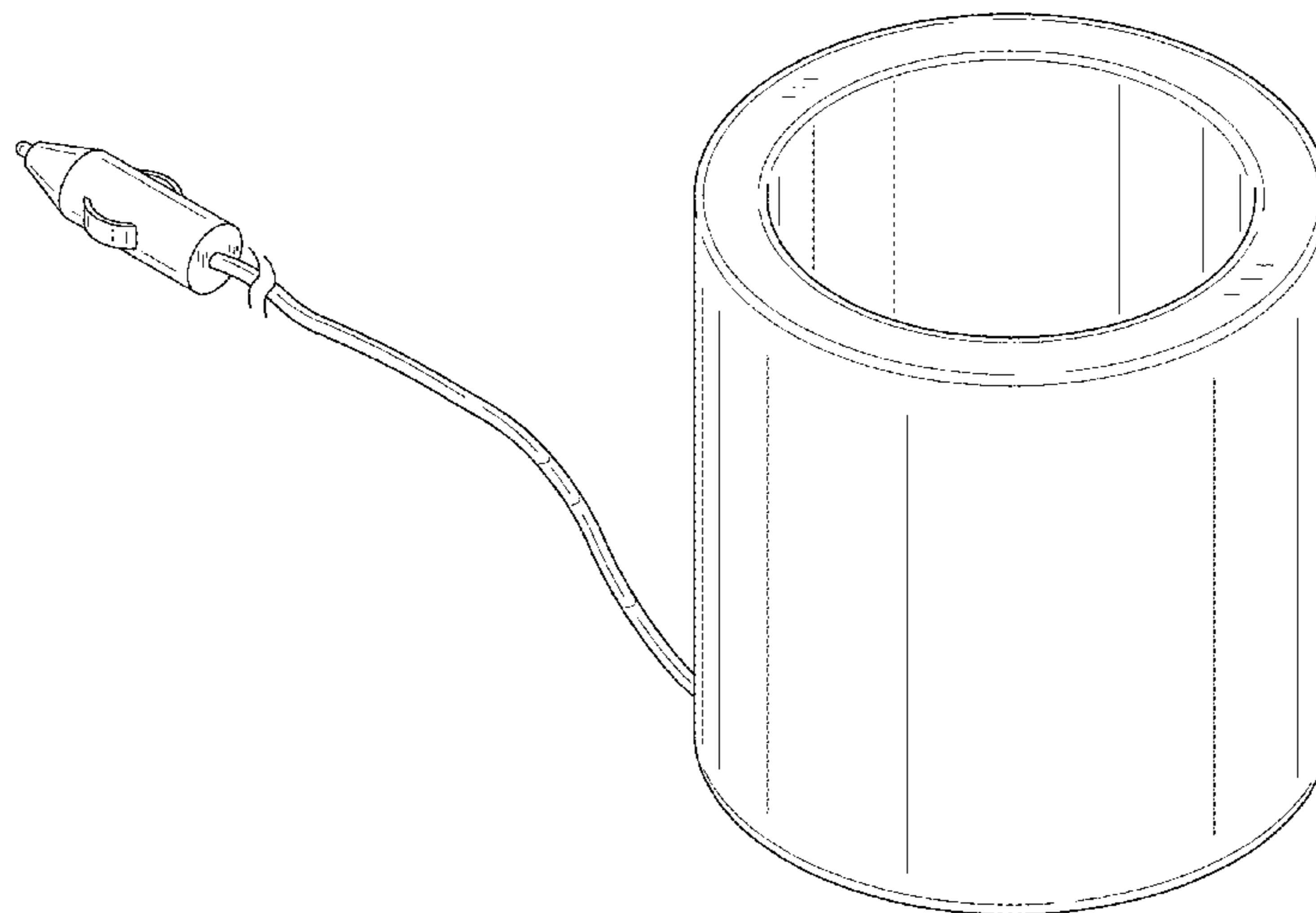
The ornamental design for a heating sleeve, as shown and described.

**DESCRIPTION**

FIG. 1 is a front view of a heating sleeve showing my new design, a rear view being a mirror image thereof; FIG. 2 is a left side view of the heating sleeve; FIG. 3 is a right side view of the heating sleeve; FIG. 4 is a top view of the heating sleeve; FIG. 5 is a bottom view of the heating sleeve; and, FIG. 6 is a top front side perspective view of the heating sleeve.

The heating sleeve is shown with a symbolic break, the appearance of any portion of the article between the break lines forms no part of the claimed design.

**1 Claim, 5 Drawing Sheets**



(56)

References Cited

U.S. PATENT DOCUMENTS

5,700,991 A \* 12/1997 Osbern ..... H05B 3/00  
219/214  
5,709,105 A \* 1/1998 Palermo ..... B60N 3/102  
220/739  
5,762,234 A \* 6/1998 Kiel ..... B65D 47/286  
220/737  
D404,562 S \* 1/1999 Brown ..... D3/215  
6,054,691 A \* 4/2000 McGwire ..... H05B 3/565  
219/535  
6,075,229 A \* 6/2000 Vanselow ..... A47J 36/2461  
219/432  
6,121,578 A 9/2000 Owens et al.  
D434,655 S \* 12/2000 Haugh ..... D9/434  
D442,833 S \* 5/2001 Shuman ..... D7/608  
6,278,091 B1 \* 8/2001 Van Gooden ..... H05B 3/342  
219/528  
6,353,211 B1 \* 3/2002 Chen ..... H05B 3/342  
219/211  
6,444,956 B1 9/2002 Witcher et al.

6,523,364 B1 \* 2/2003 Pader ..... F25D 31/007  
62/238.2  
D473,104 S \* 4/2003 Salesman-Loken ..... D7/510  
6,571,564 B2 \* 6/2003 Upadhye ..... A47J 36/2438  
165/80.5  
D486,990 S \* 2/2004 Rizley ..... D7/326  
6,861,618 B2 3/2005 Binet  
6,870,135 B2 3/2005 Hamm et al.  
7,196,293 B2 \* 3/2007 Britto ..... H01R 13/7038  
219/387  
D703,009 S 4/2014 Wampold  
D709,337 S \* 7/2014 Miller ..... D7/606  
D741,102 S \* 10/2015 Glucksman ..... D7/323  
9,365,146 B1 \* 6/2016 Allen ..... B60N 3/104  
9,485,806 B1 \* 11/2016 McClendon ..... H05B 3/02  
2004/0139860 A1 \* 7/2004 Hamm ..... A47J 36/2433  
99/275  
2004/0140304 A1 7/2004 Leyendecker  
2010/0089901 A1 \* 4/2010 Montana ..... A47J 36/2466  
219/385  
2014/0190357 A1 7/2014 Mak

\* cited by examiner

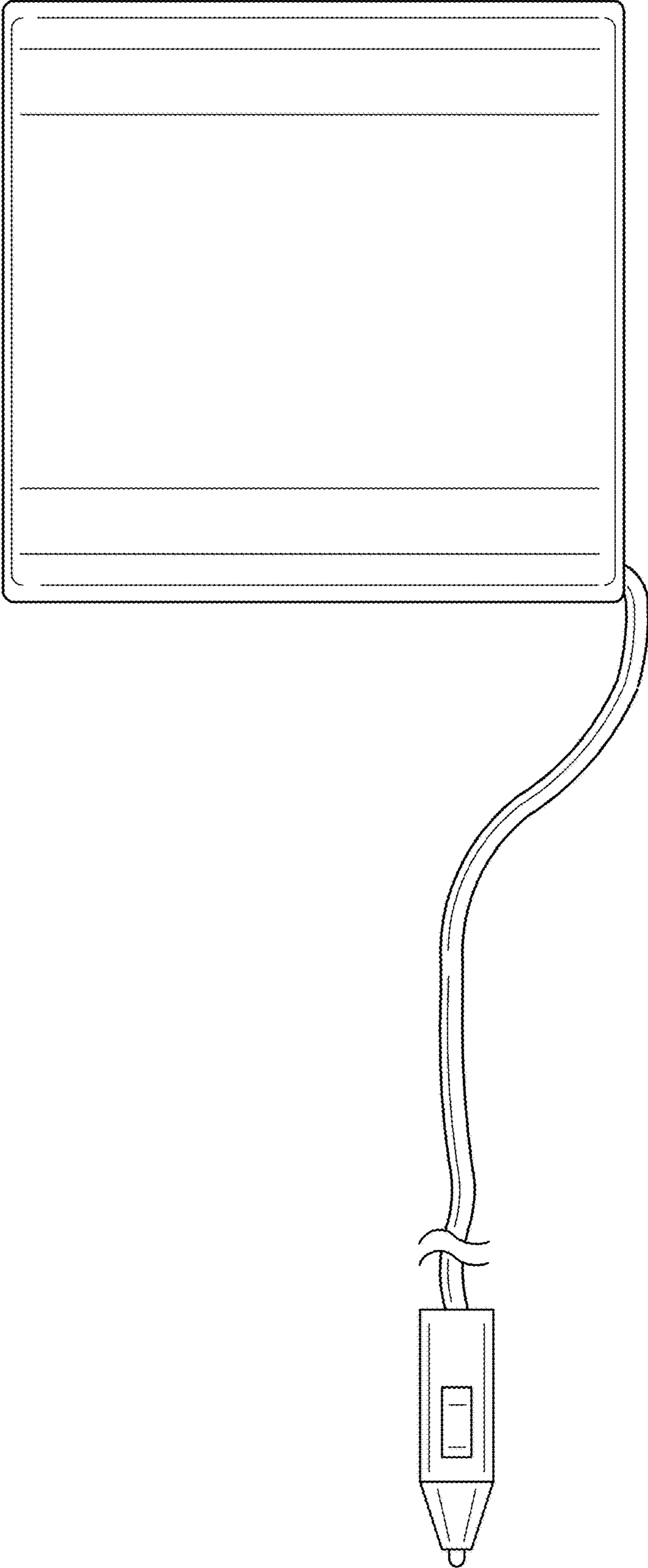


FIG. 1

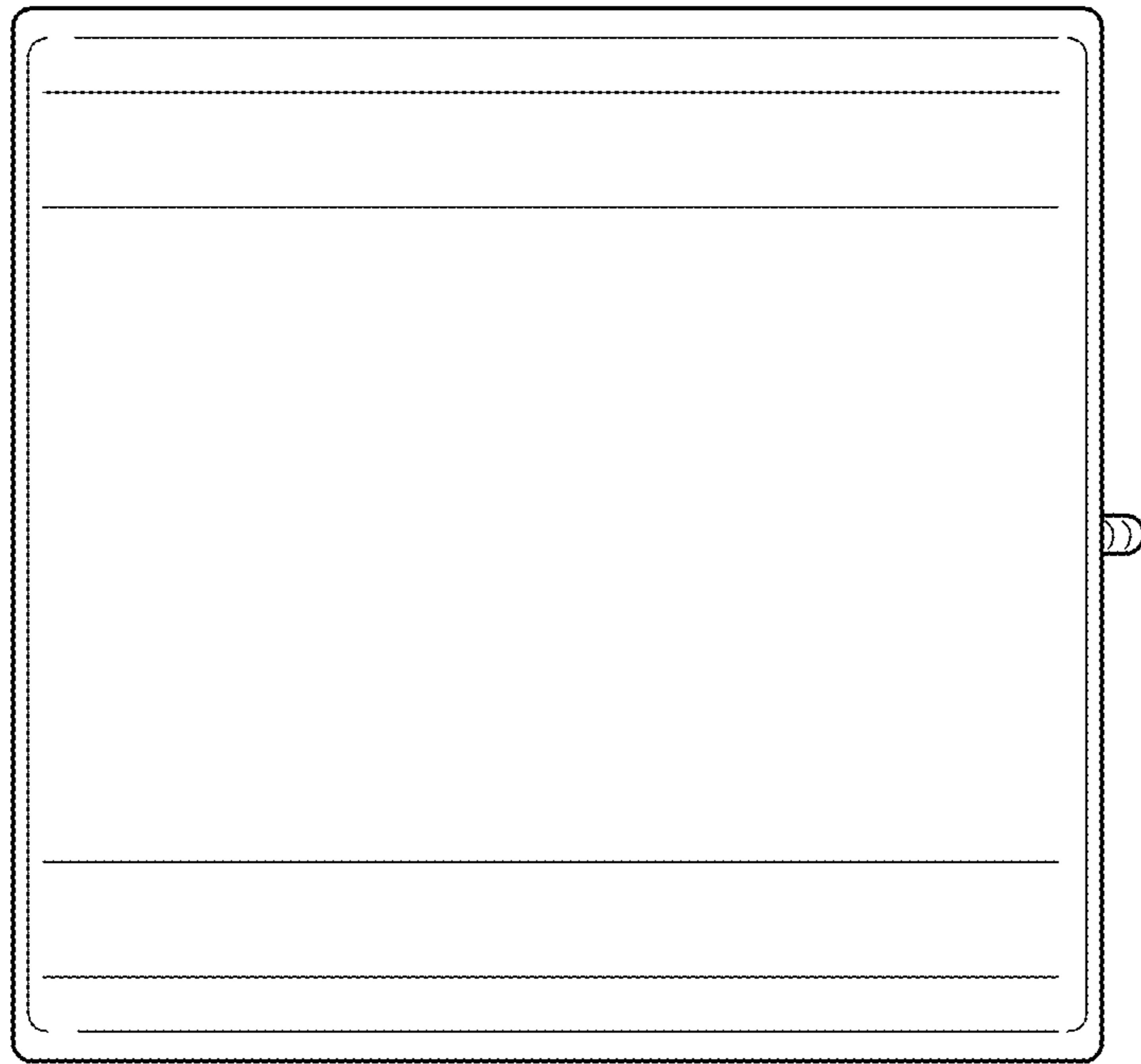


FIG. 3

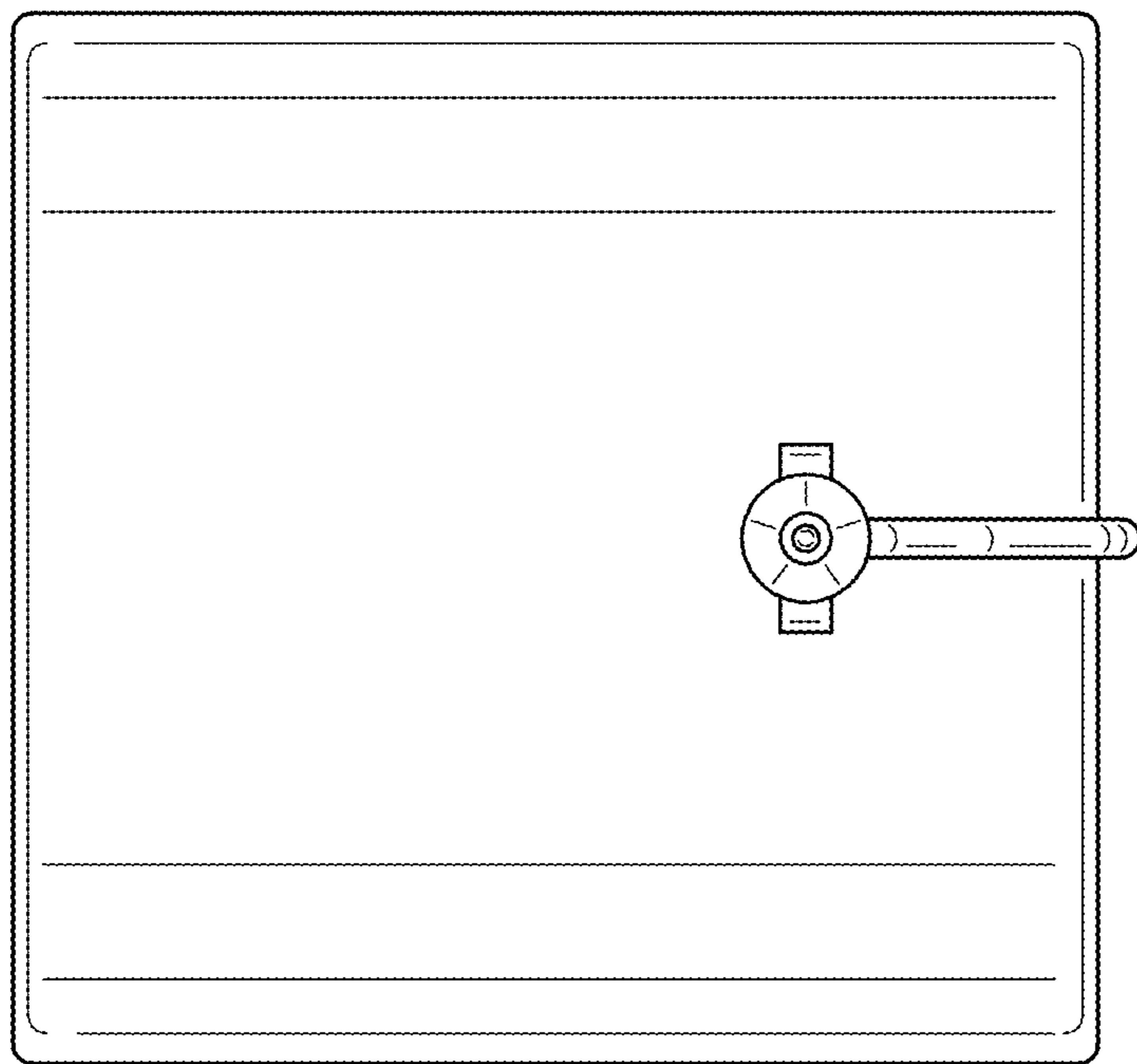


FIG. 2

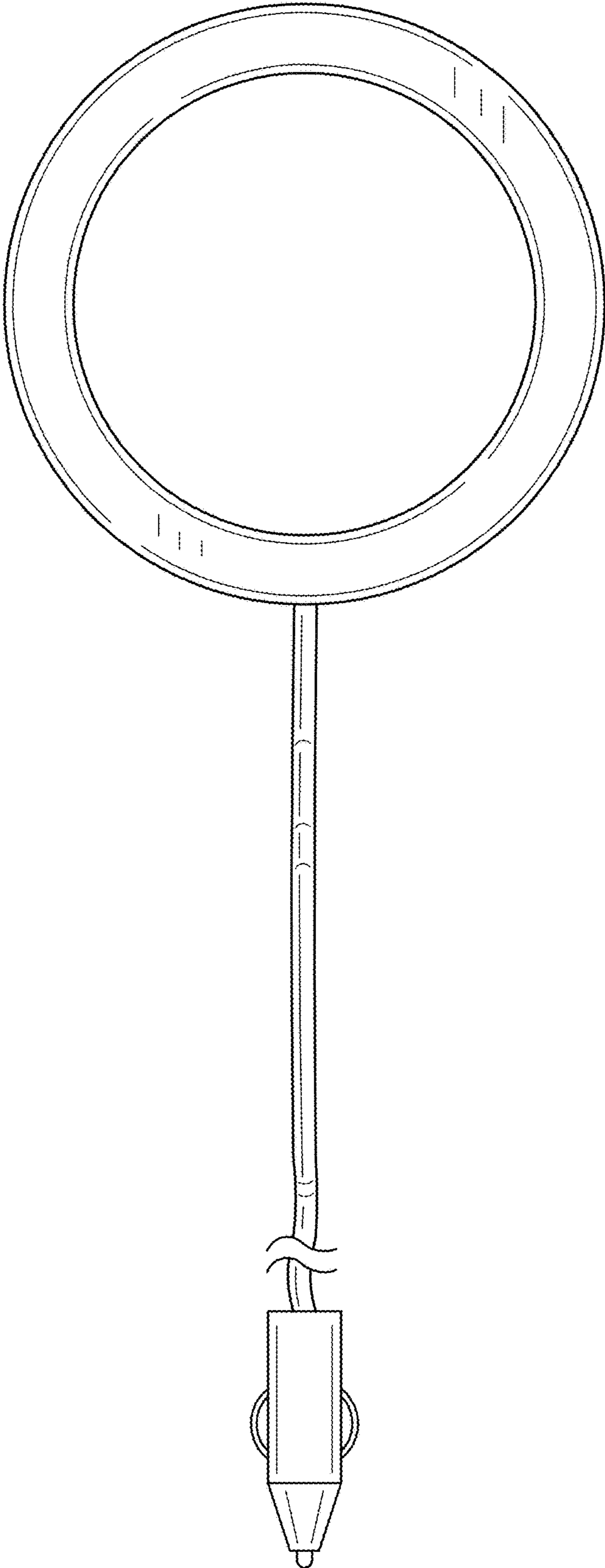


FIG. 4

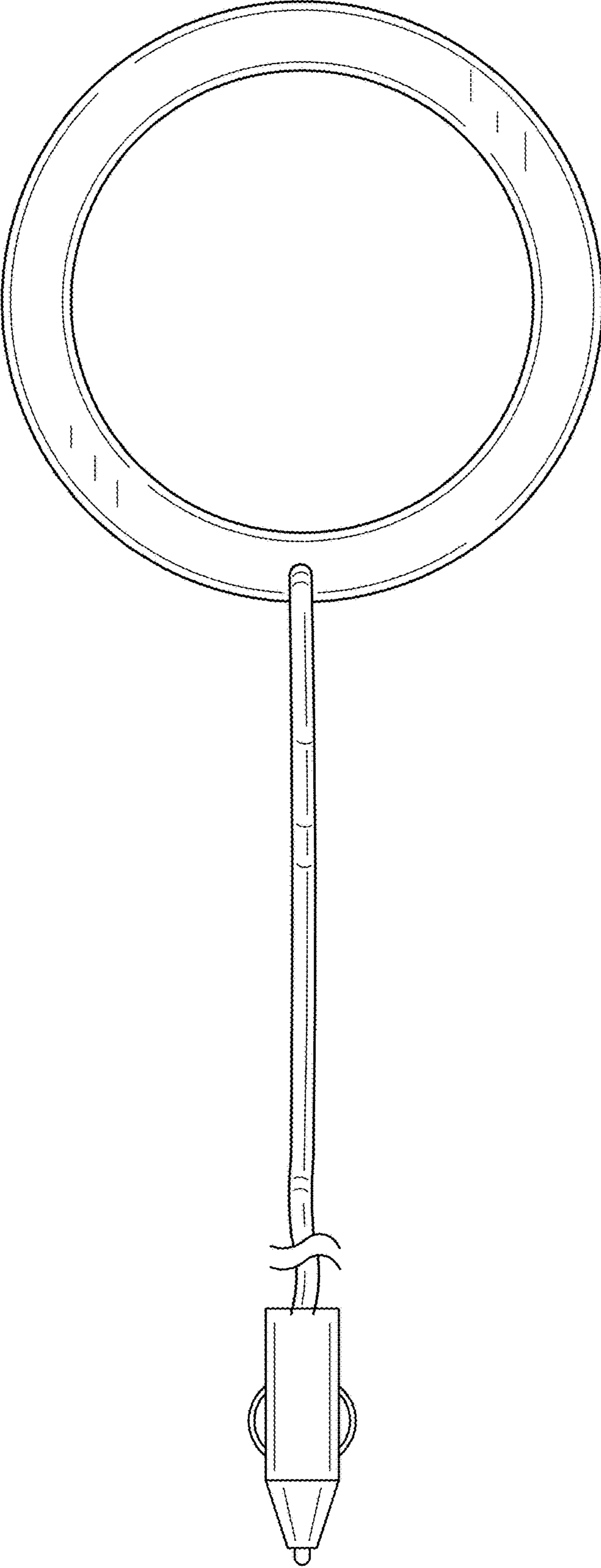


FIG. 5



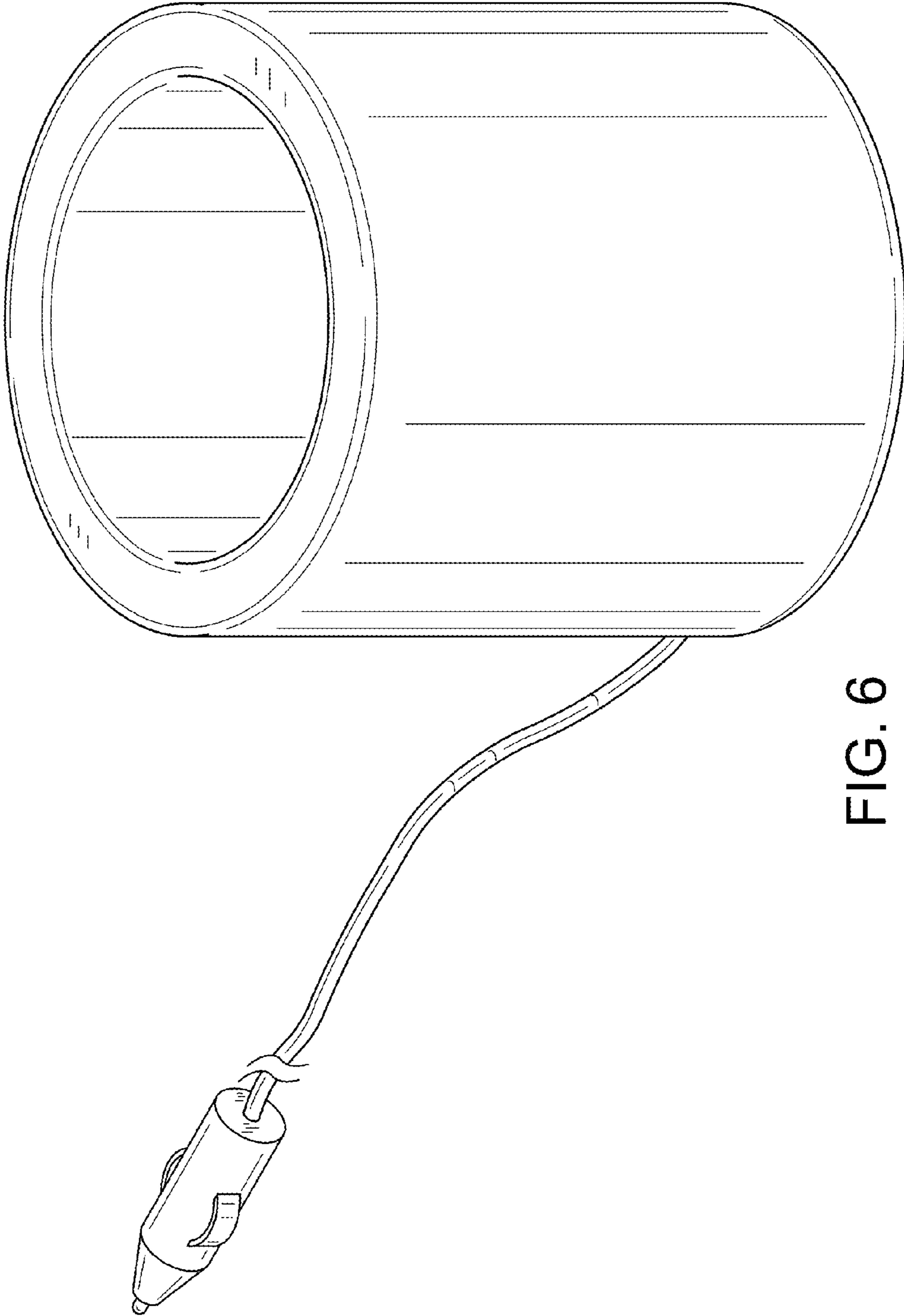


FIG. 6