



US00D801494S

(12) **United States Design Patent** (10) **Patent No.:** **US D801,494 S**  
**Matsunaga** (45) **Date of Patent:** **\*\* Oct. 31, 2017**

(54) **EXHAUST TUBE HOLDING MEMBER**

(71) Applicant: **NORITZ CORPORATION**, Hyogo (JP)

(72) Inventor: **Hironao Matsunaga**, Amagasaki (JP)

(73) Assignee: **NORITZ CORPORATION**, Hyogo (JP)

(\*\*) Term: **15 Years**

(21) Appl. No.: **29/549,270**

(22) Filed: **Dec. 21, 2015**

(51) **LOC (10) Cl.** ..... **23-03**

(52) **U.S. Cl.**  
USPC ..... **D23/322**

(58) **Field of Classification Search**  
USPC ..... D8/396  
CPC ..... A47L 9/248; Y10T 24/14; Y10T 24/3444;  
F23L 17/02; F23J 13/02  
See application file for complete search history.

(56) **References Cited**

**U.S. PATENT DOCUMENTS**

D252,246 S *	7/1979	Christian	.....	D8/349
D308,160 S *	5/1990	Sweeny	.....	D8/30
D344,449 S *	2/1994	Ward	.....	D8/395
D410,968 S *	6/1999	Swan	.....	D20/22
D417,390 S *	12/1999	Hofman	.....	D8/395
6,065,779 A *	5/2000	Moner	.....	F16L 37/0925 285/23
D564,351 S *	3/2008	Leclerc	.....	D9/434
D592,508 S *	5/2009	Perignon	.....	D9/434
D611,333 S *	3/2010	Sanders	.....	D8/394
D625,183 S *	10/2010	Bartsch	.....	D9/434

D639,653 S *	6/2011	Kanda	.....	D9/434
D687,702 S *	8/2013	Yates	.....	D8/396
D704,043 S *	5/2014	Gledhill	.....	D8/396
D756,766 S *	5/2016	Orwin	.....	D8/354
D770,872 S *	11/2016	Gledhill	.....	D8/17
2013/0284412 A1 *	10/2013	Forstenius	.....	F16B 43/00 165/166
2016/0030098 A1 *	2/2016	DaCosta	.....	A61B 17/8605 606/303

\* cited by examiner

*Primary Examiner* — Sheryl Lane

*Assistant Examiner* — Calvin E Vansant

(74) *Attorney, Agent, or Firm* — Studebaker & Brackett PC

(57) **CLAIM**

The ornamental design for an exhaust tube holding member, as shown and described.

**DESCRIPTION**

FIG. 1 is a front view of an exhaust tube holding member for holding an exhaust tube which is connected to a combustion apparatus and introduced into an exhaust pipe, in accordance with the present design;

FIG. 2 is a rear view thereof;

FIG. 3 is a top plan view thereof;

FIG. 4 is a bottom plan view thereof;

FIG. 5 is a right side view thereof;

FIG. 6 is a left side view thereof;

FIG. 7 is a first top perspective view thereof;

FIG. 8 is a second top perspective view thereof;

FIG. 9 is a first bottom perspective view thereof;

FIG. 10 is a second bottom perspective view thereof; and,

FIG. 11 is a sectional view taken along line 11-11 of FIG. 3.

**1 Claim, 5 Drawing Sheets**

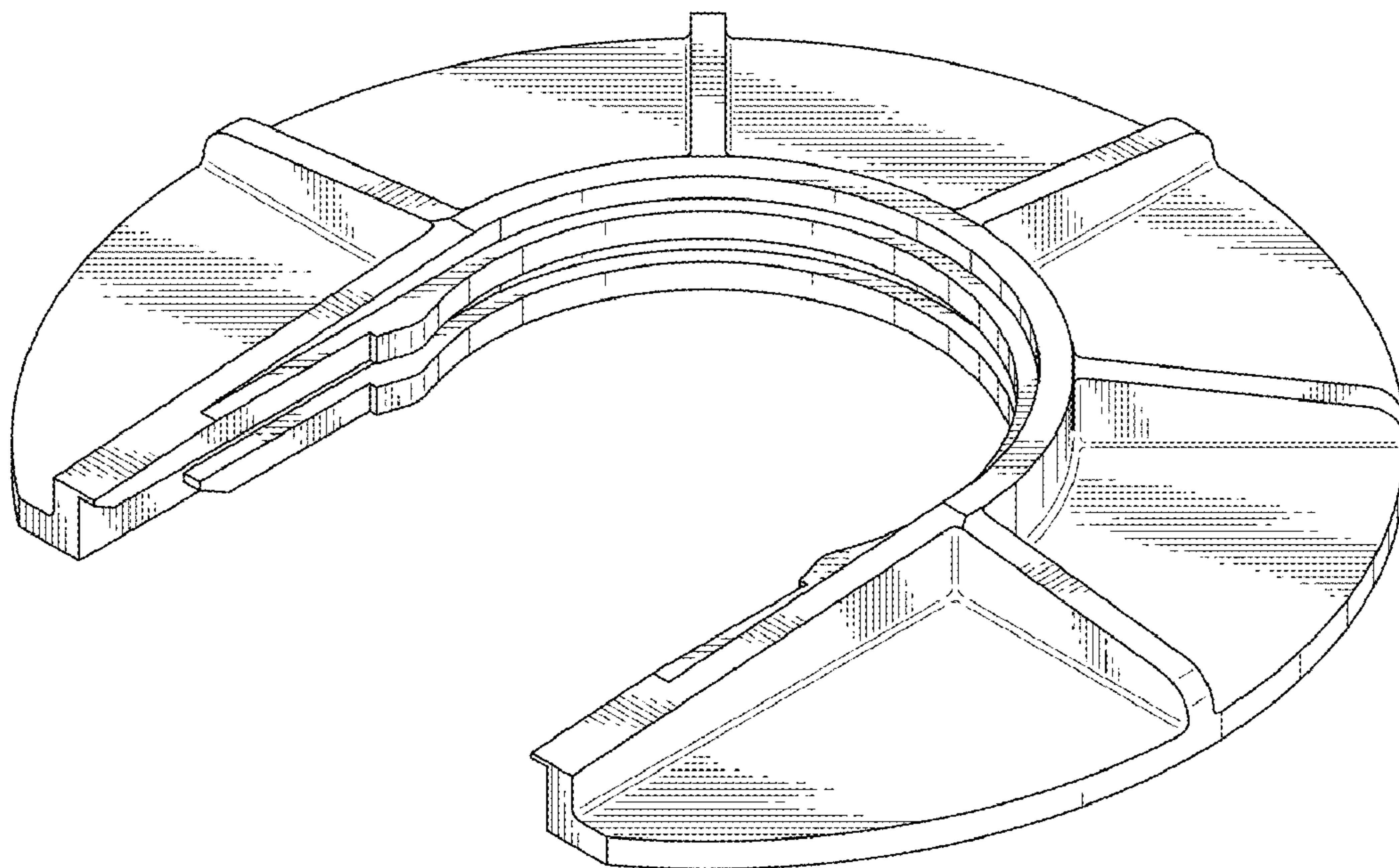


FIG.1

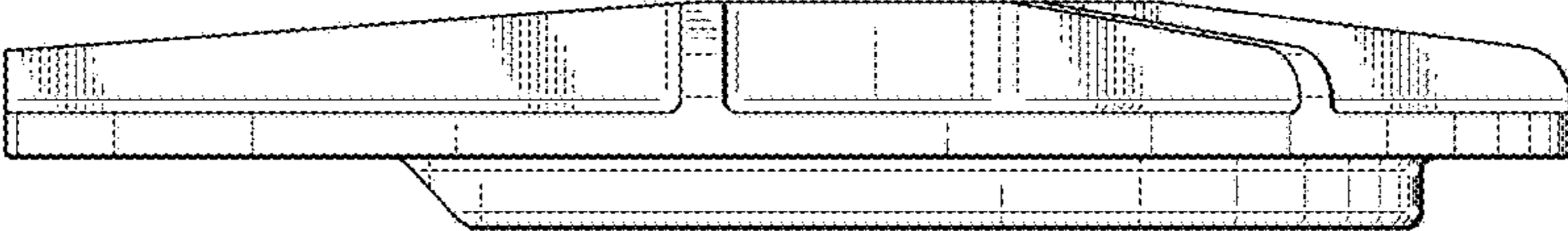


FIG.2

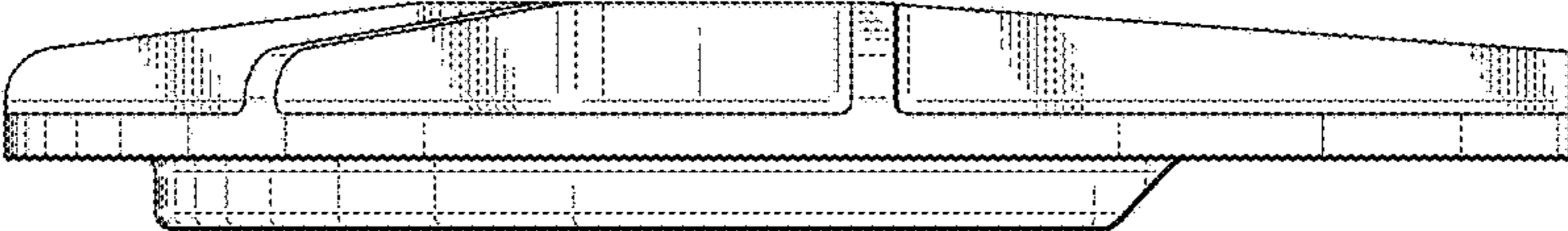


FIG.3

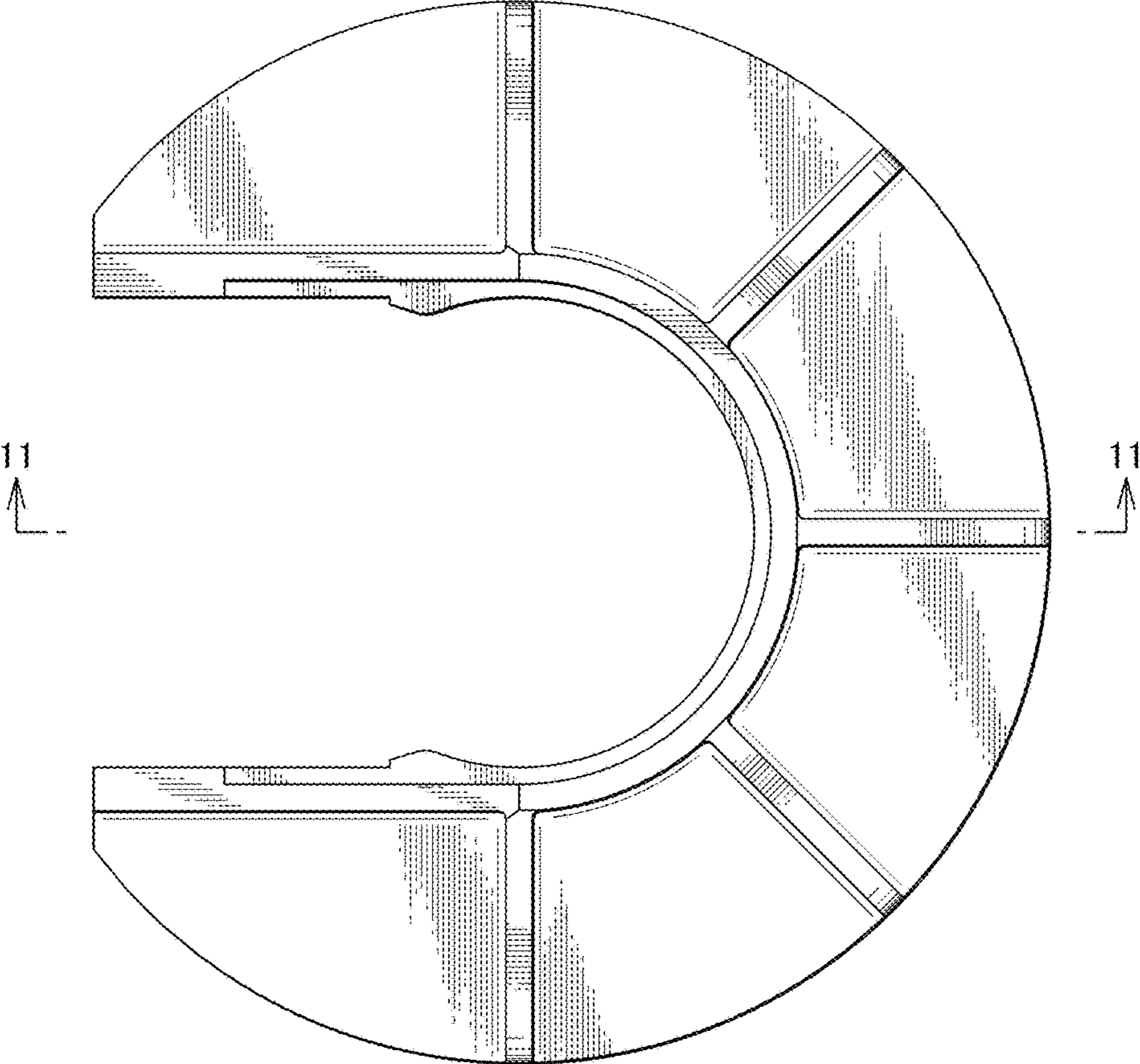


FIG.4

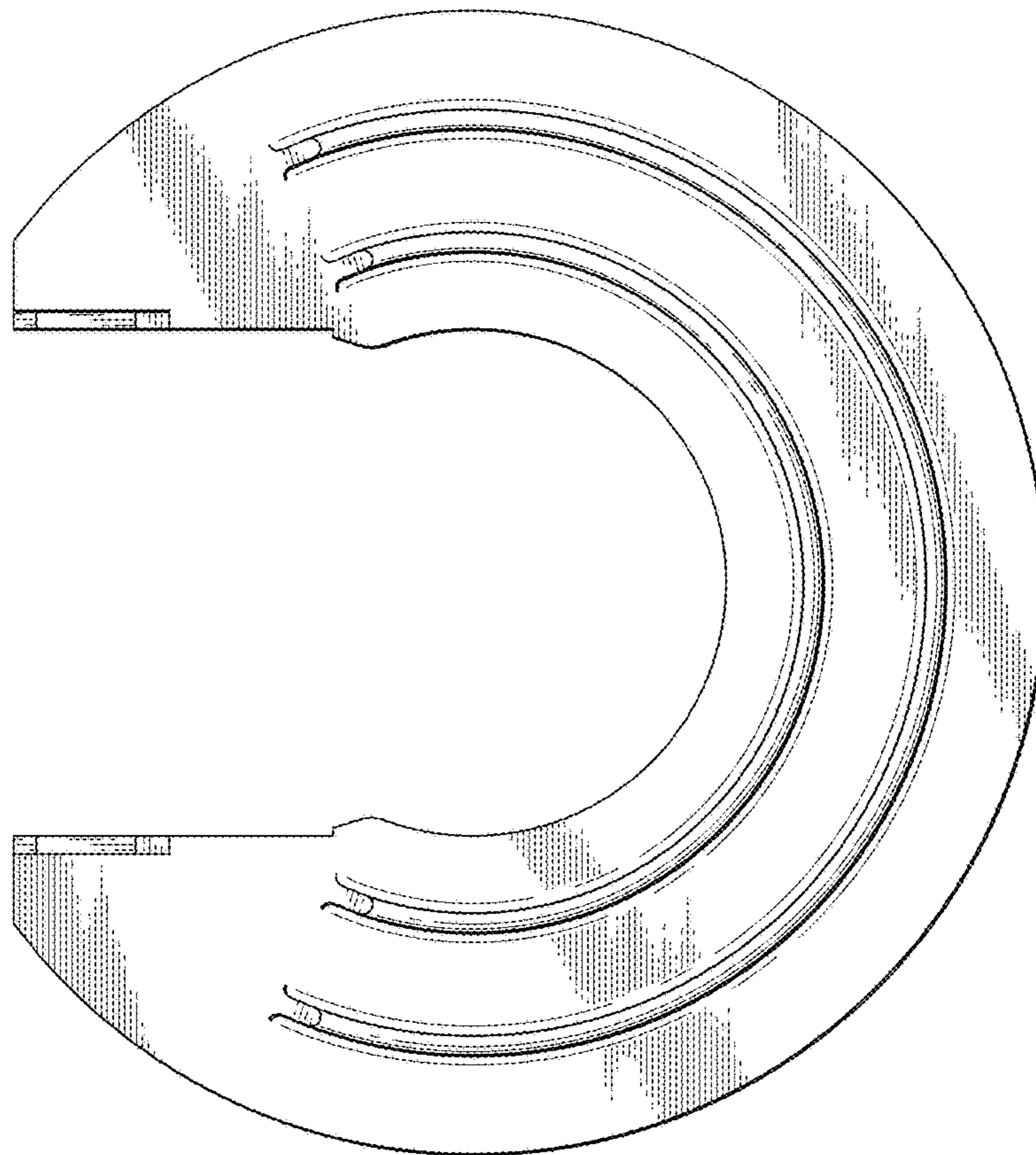


FIG.5

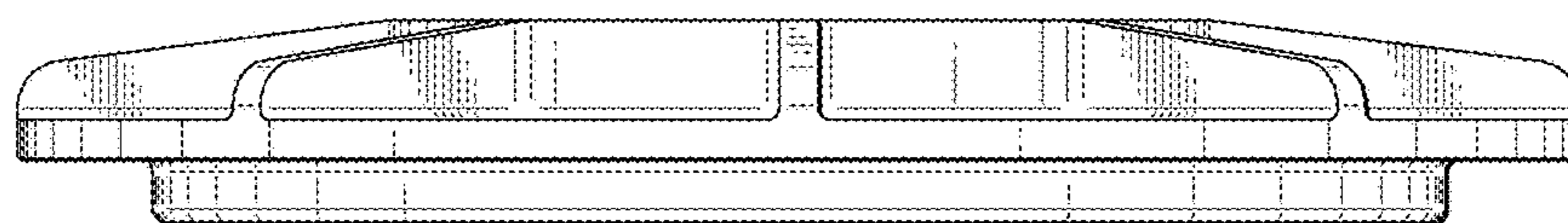


FIG.6

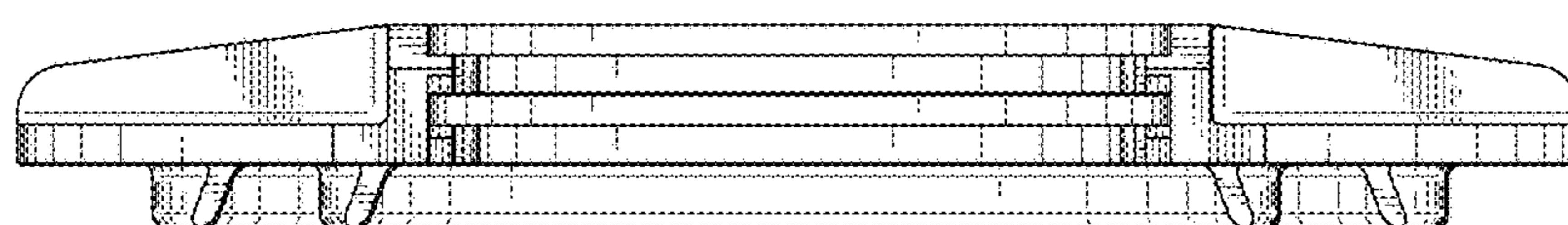


FIG.7

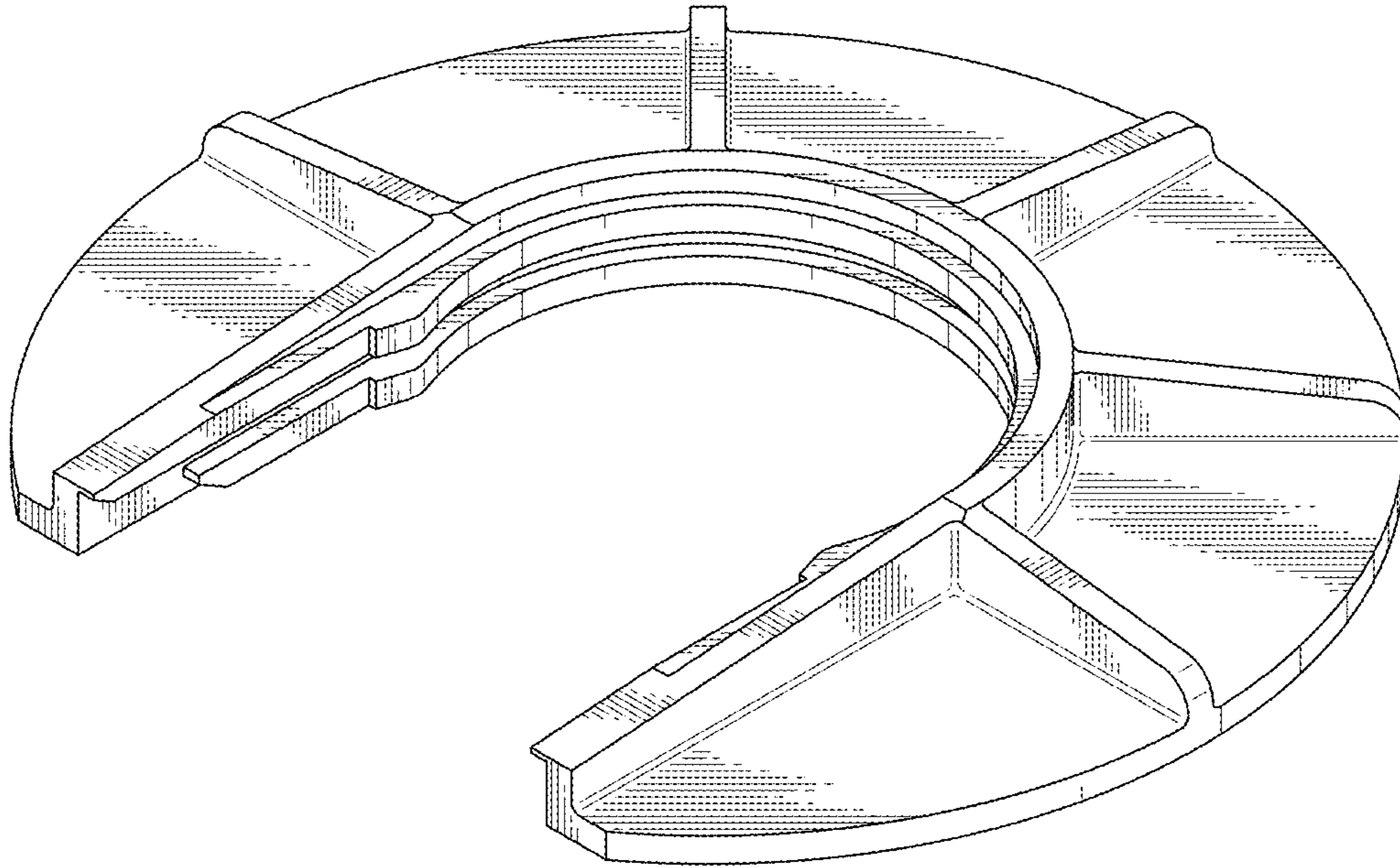


FIG.8

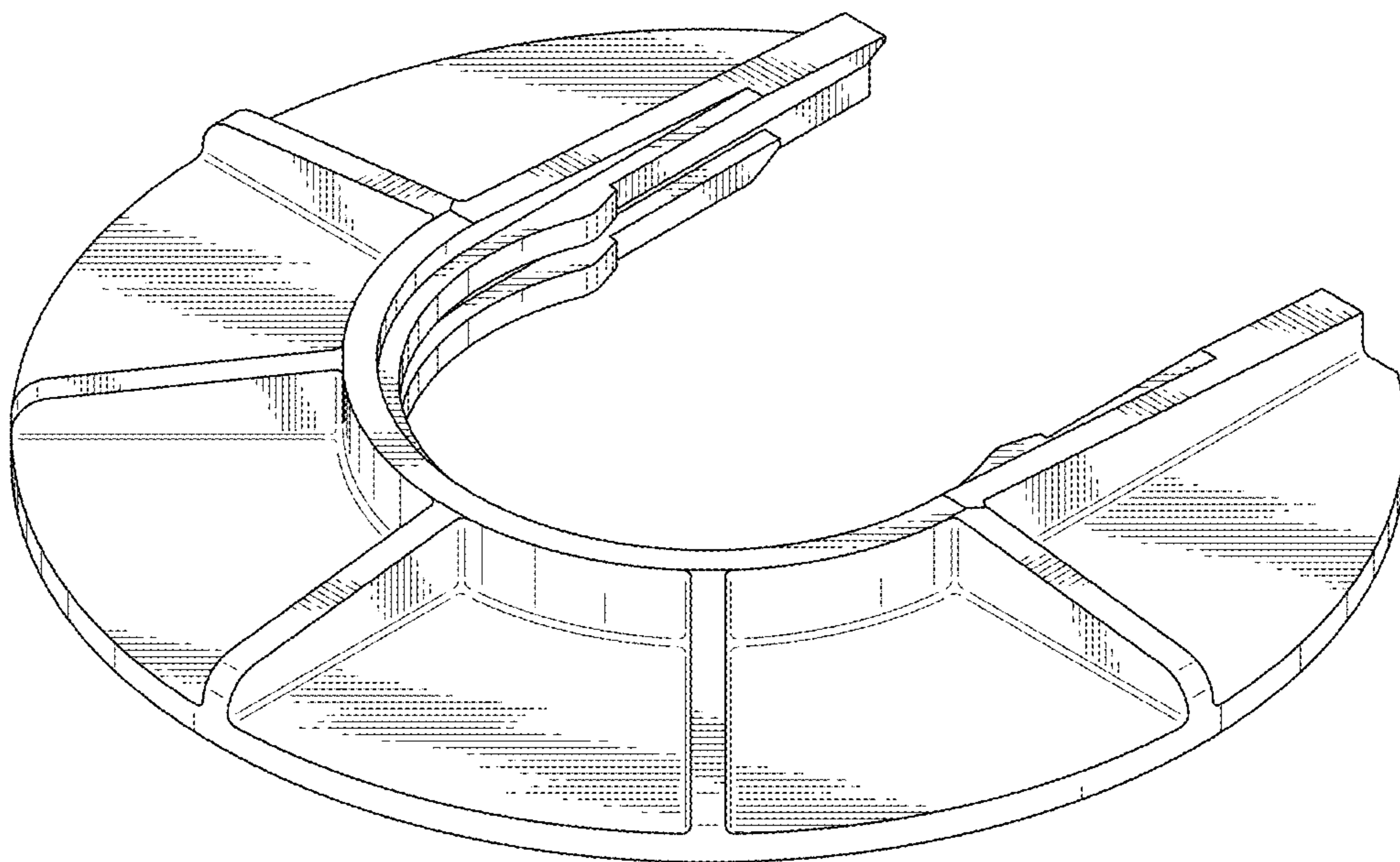


FIG.9

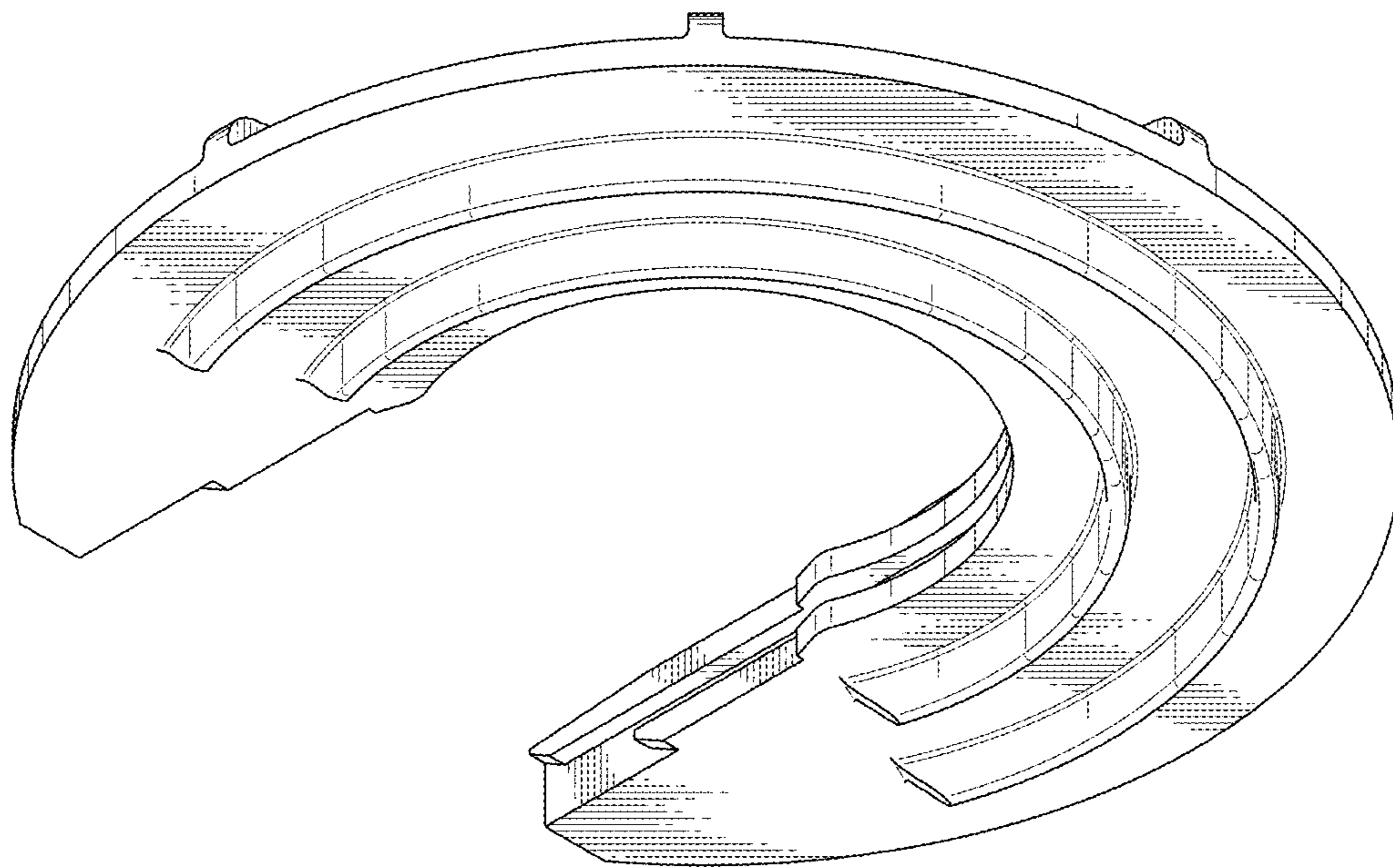


FIG.10

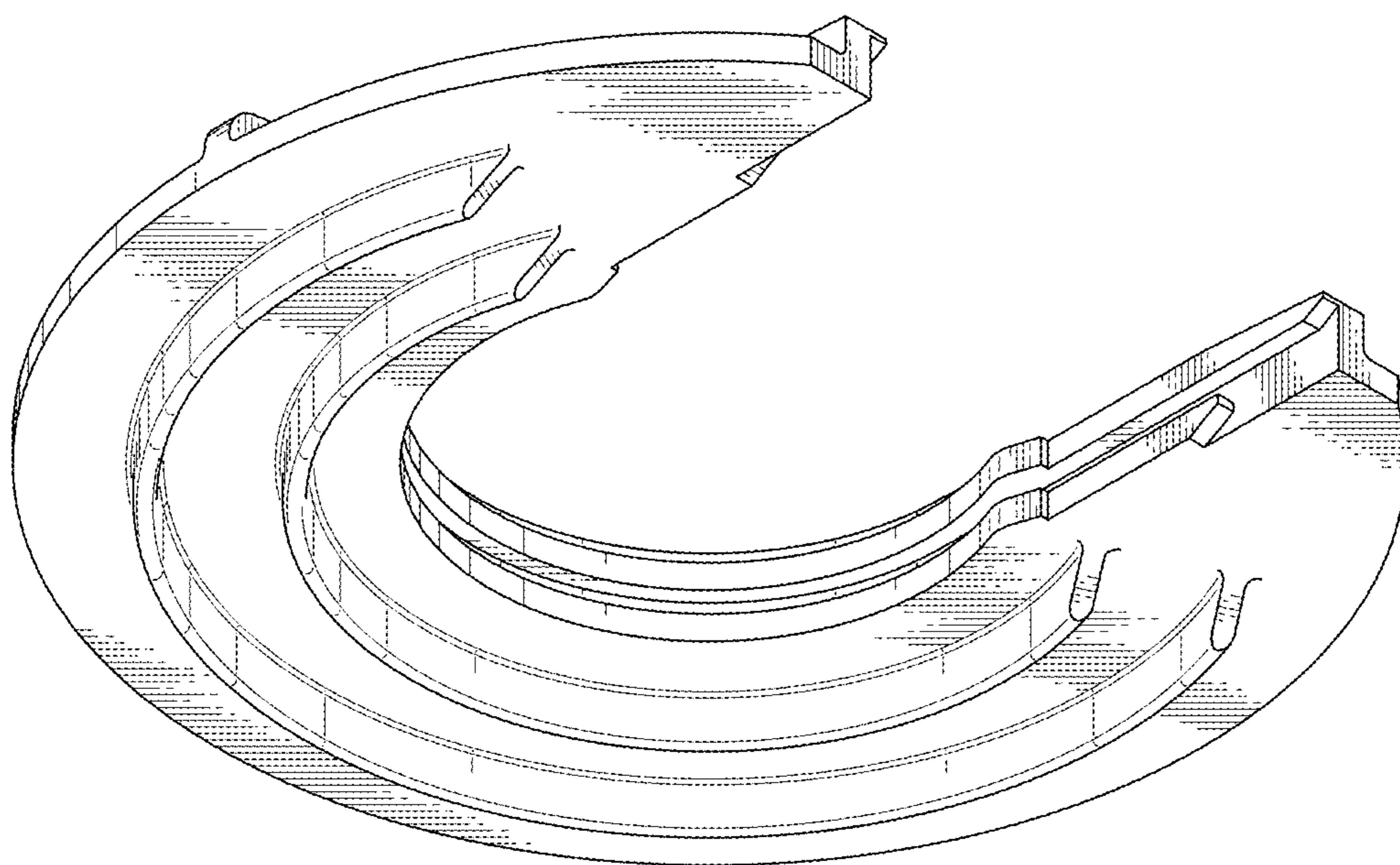


FIG.11

