



US00D801492S

(12) **United States Design Patent**
Schmed et al.

(10) **Patent No.:** **US D801,492 S**

(45) **Date of Patent:** **** Oct. 31, 2017**

(54) **URINAL**

(71) Applicant: **URIMAT HOLDING AG**, Wollerau
(CH)

(72) Inventors: **Arthur Schmed**, Wollerau (CH);
Werner Balkau, Schwanden (CH)

(**) Term: **15 Years**

(21) Appl. No.: **35/500,828**

(22) Filed: **Mar. 14, 2016**

(80) **Hague Agreement Data**

Int. Filing Date: **Mar. 14, 2016**
Int. Reg. No.: **DM/090025**
Int. Reg. Date: **Mar. 14, 2016**
Int. Reg. Pub. Date: **Apr. 15, 2016**

(51) **LOC (10) Cl.** **23-02**

(52) **U.S. Cl.**
USPC **D23/302**

(58) **Field of Classification Search**

USPC D23/270, 274, 295, 299, 300, 302, 309;
4/144.1, 310, 311, 340-342, 644, 665
CPC E03D 1/00; E03D 1/003; E03D 1/005;
E03D 5/003; E03D 5/006; E03D 5/016;
E03D 11/025; E03D 13/00; E03D 13/005;
E03D 13/007; A61G 9/006; A47K 11/00;
A47K 11/02; A47K 11/04; A47K 11/06;
A47K 11/12; A47K 13/24; B64D 11/02

See application file for complete search history.

(56) **References Cited**

U.S. PATENT DOCUMENTS

D258,682 S * 3/1981 Wilson D23/302
D352,349 S * 11/1994 Kergoet D23/302
D545,948 S * 7/2007 Cummings D23/302
D547,845 S * 7/2007 Paterson D23/302
D548,820 S * 8/2007 Cummings D23/302

D548,821 S * 8/2007 Cummings D23/302
D556,302 S * 11/2007 Paterson D23/302
D588,248 S * 3/2009 Cummings D23/302
D626,638 S * 11/2010 Reback D23/302
D701,594 S * 3/2014 Newson D23/302
D703,797 S * 4/2014 Shinozaki D23/300

* cited by examiner

Primary Examiner — Keli L Hill

(57) **CLAIM**

The ornamental design for an urinal, as shown and described.

DESCRIPTION

The file of this patent contains at least one drawing/photograph executed in color. Copies of this patent with color drawing(s)/photograph(s) will be provided by the Office upon request and payment of the necessary fee.

1.-2. Urinals

1.1 is a top, front and side perspective view.

1.2 is a top and side perspective view.

1.3 is a top and opposite side perspective view.

1.4 is a side elevation view.

1.5 is a front elevation view.

1.6 is a top plan view.

1.7 is a top, front and opposite side perspective view.

2.1 is a top, front and side perspective view.

2.2 is a top and side perspective view.

2.3 is a rear elevation view.

2.4 is a top and opposite side perspective view.

2.5 is a bottom and rear perspective view.

2.6 is a front elevation view.

2.7 is a top plan view.

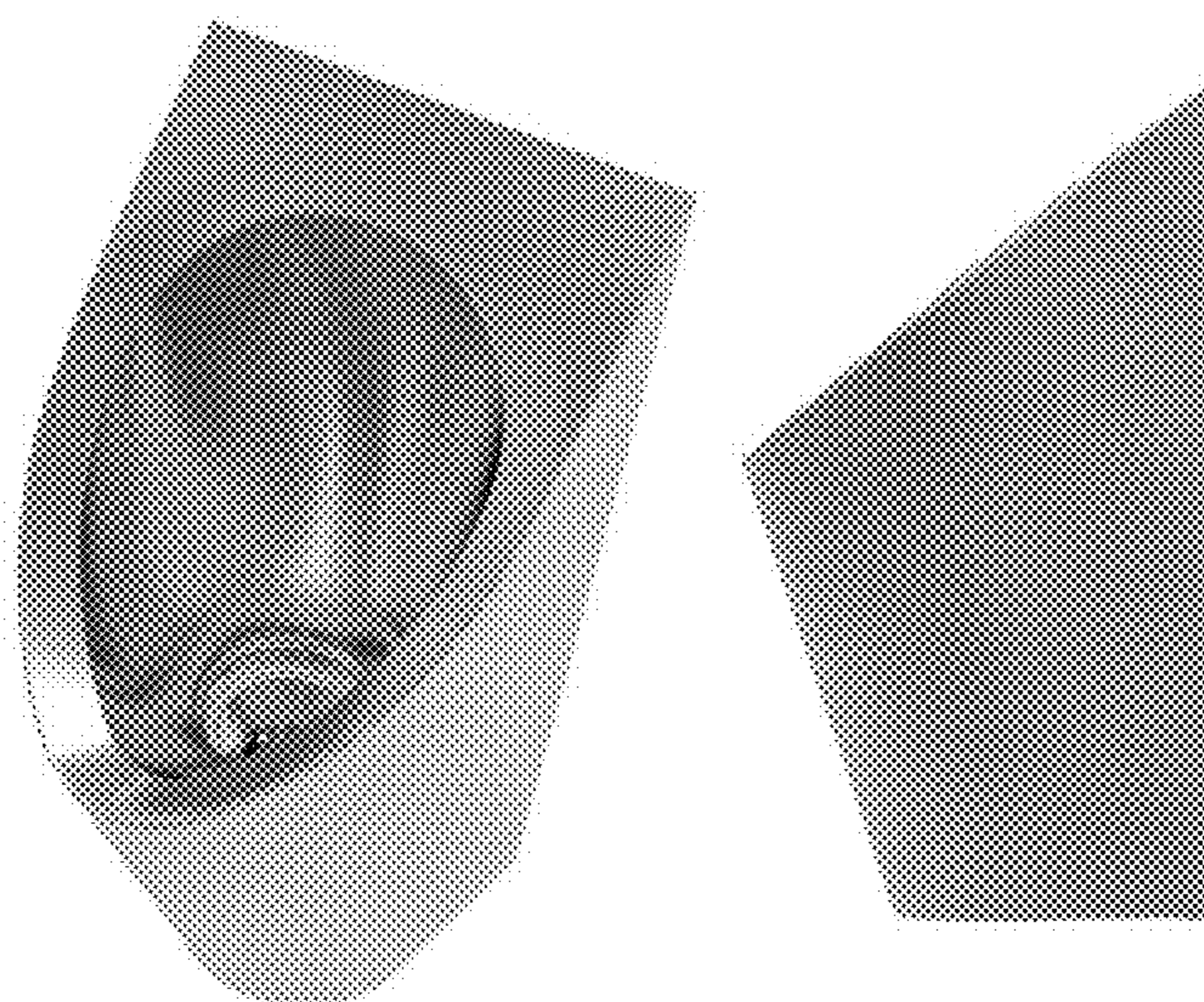
2.8 is a bottom plan view.

2.9 is an opposite side view.

2.10 is a side view.

Stainless steel urinal.

1 Claim, 17 Drawing Sheets
(7 of 17 Drawing Sheet(s) Filed in Color)



1.1



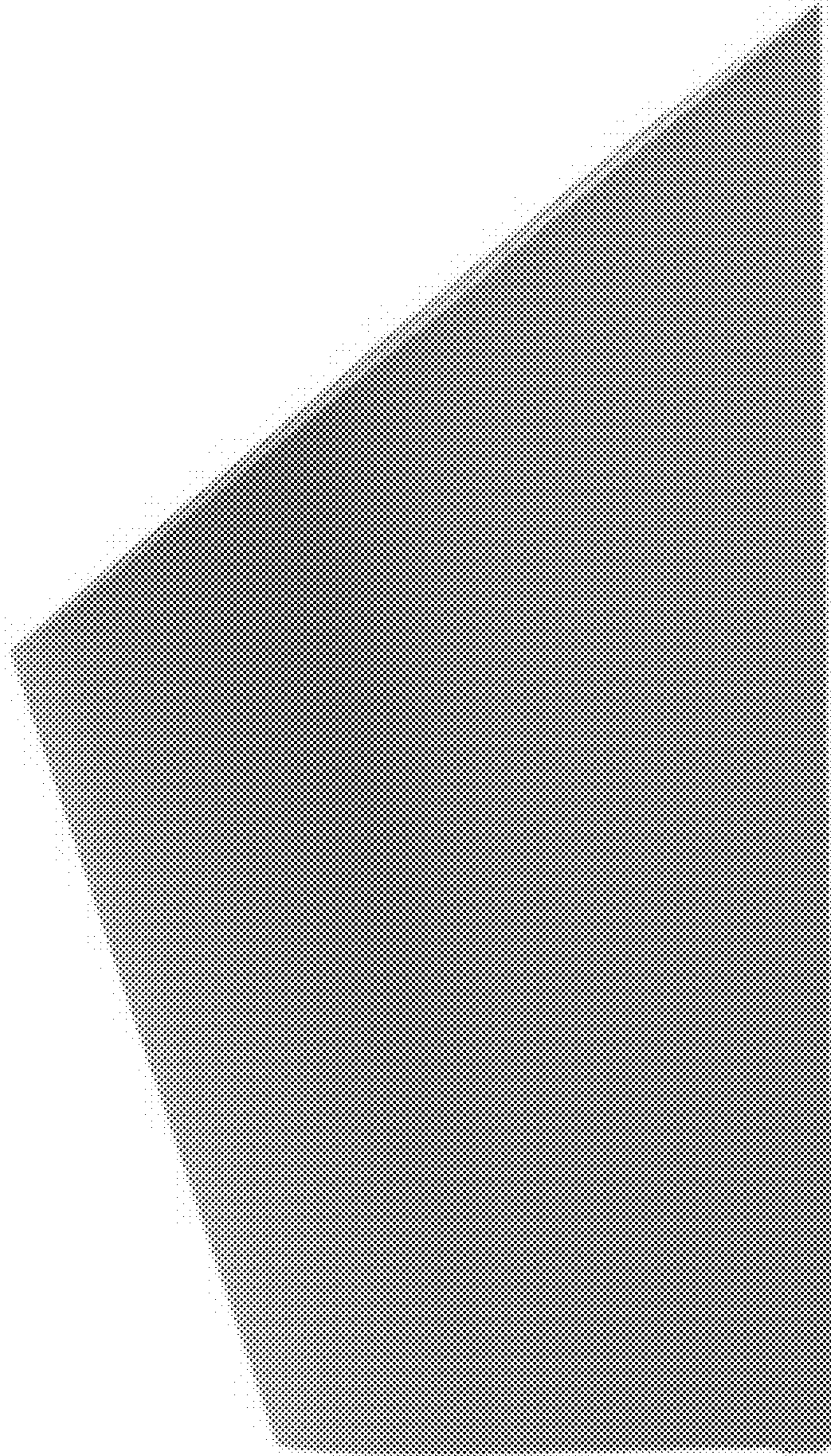
1.2



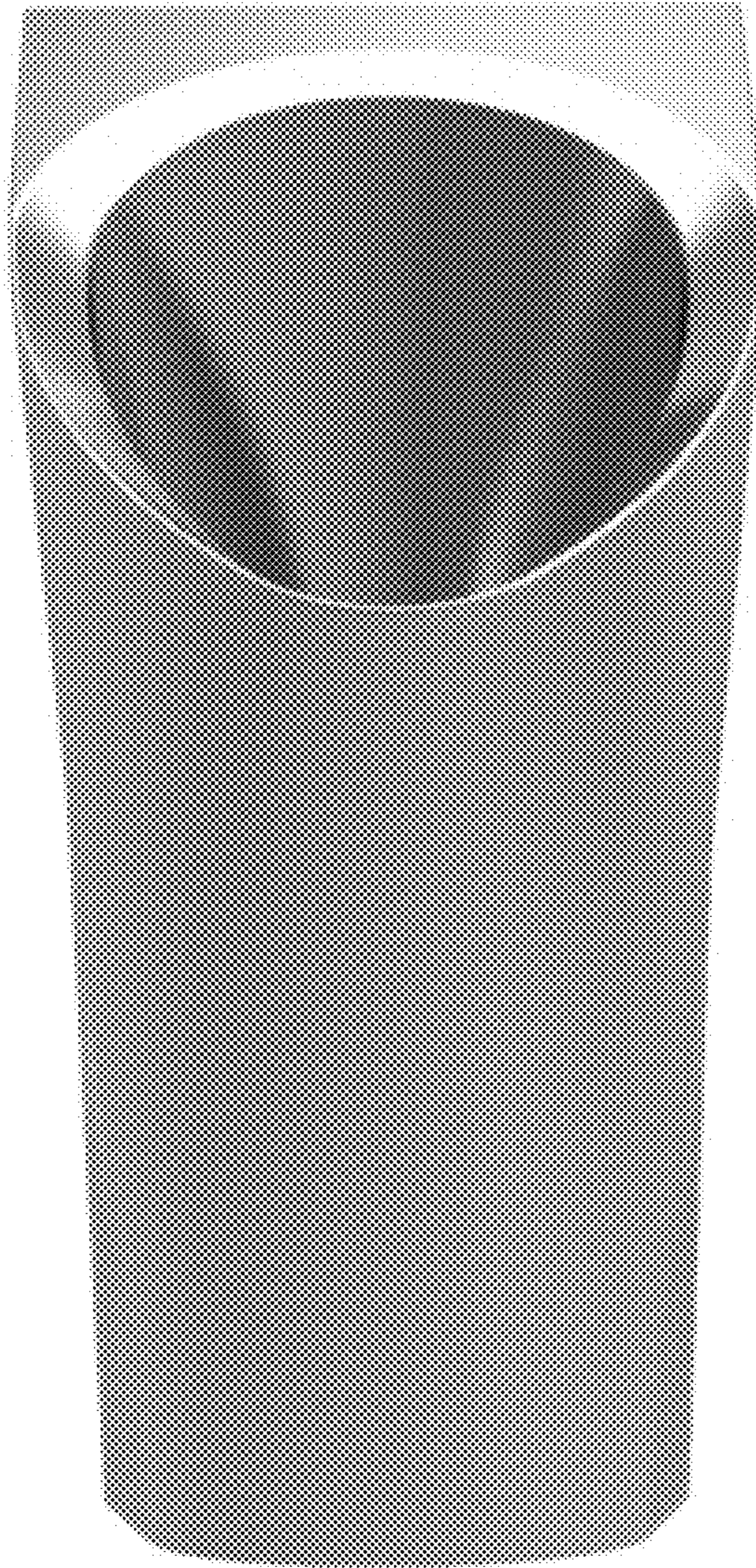
1.3



1.4



1.5



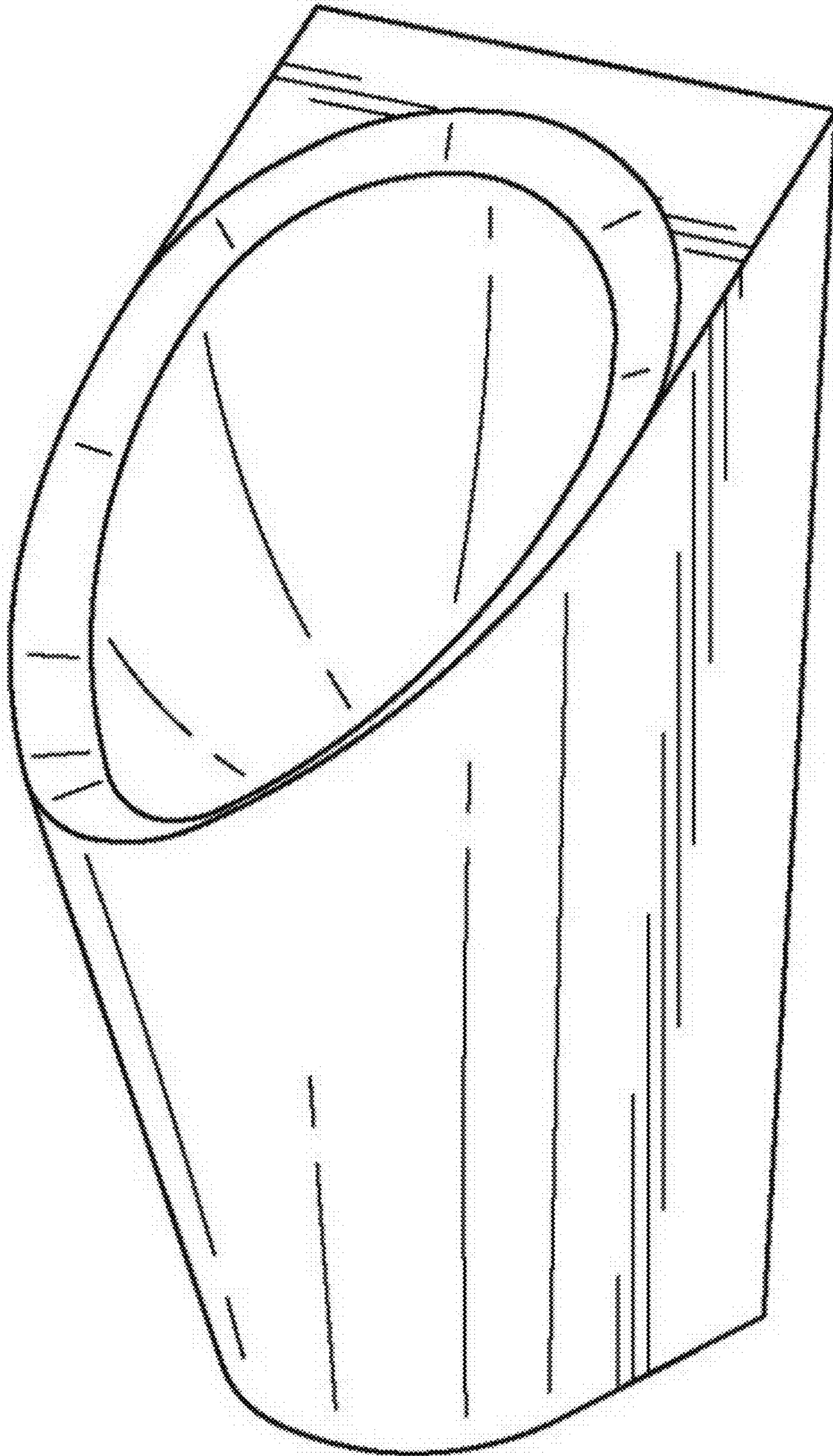
1.6



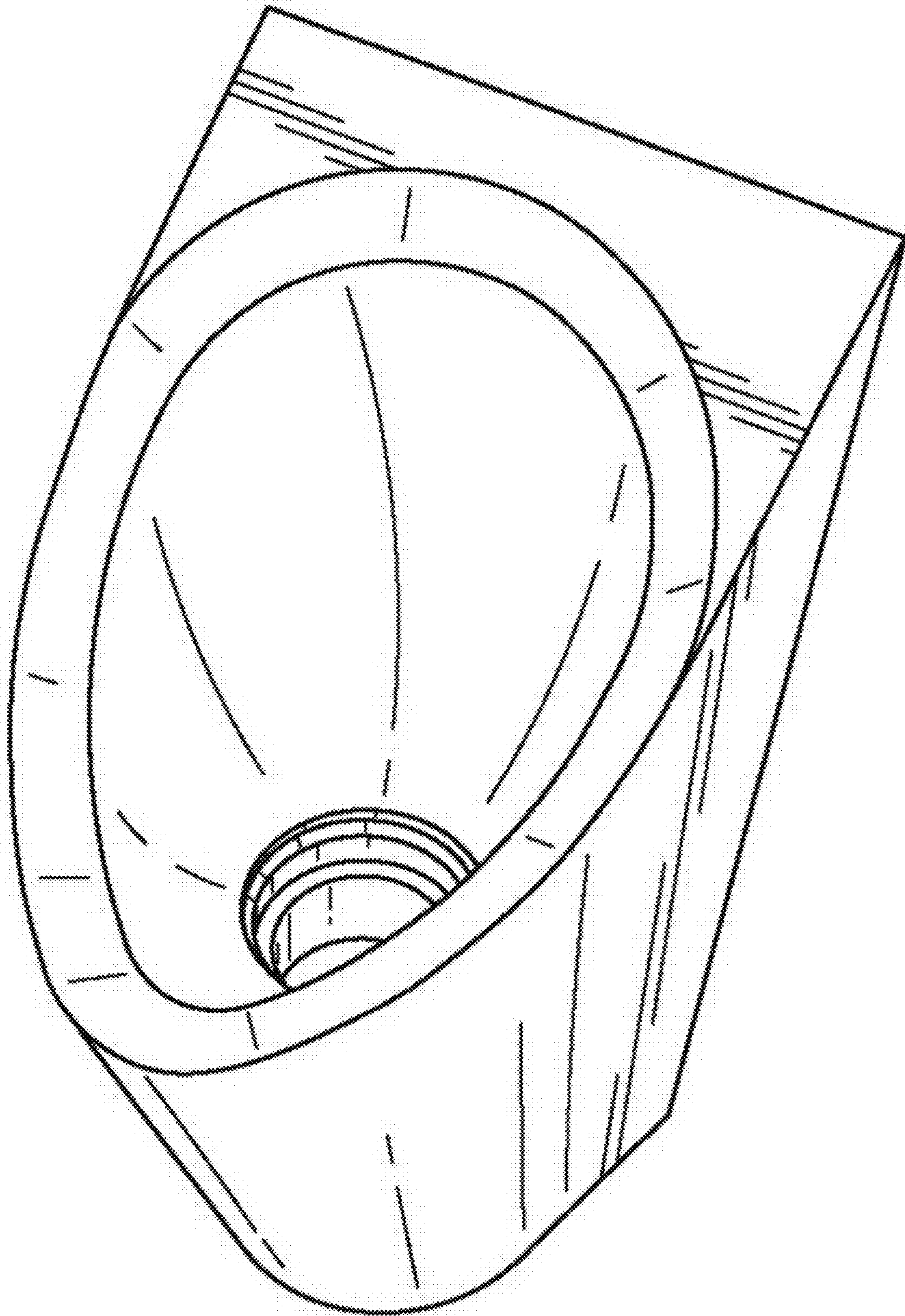
1.7



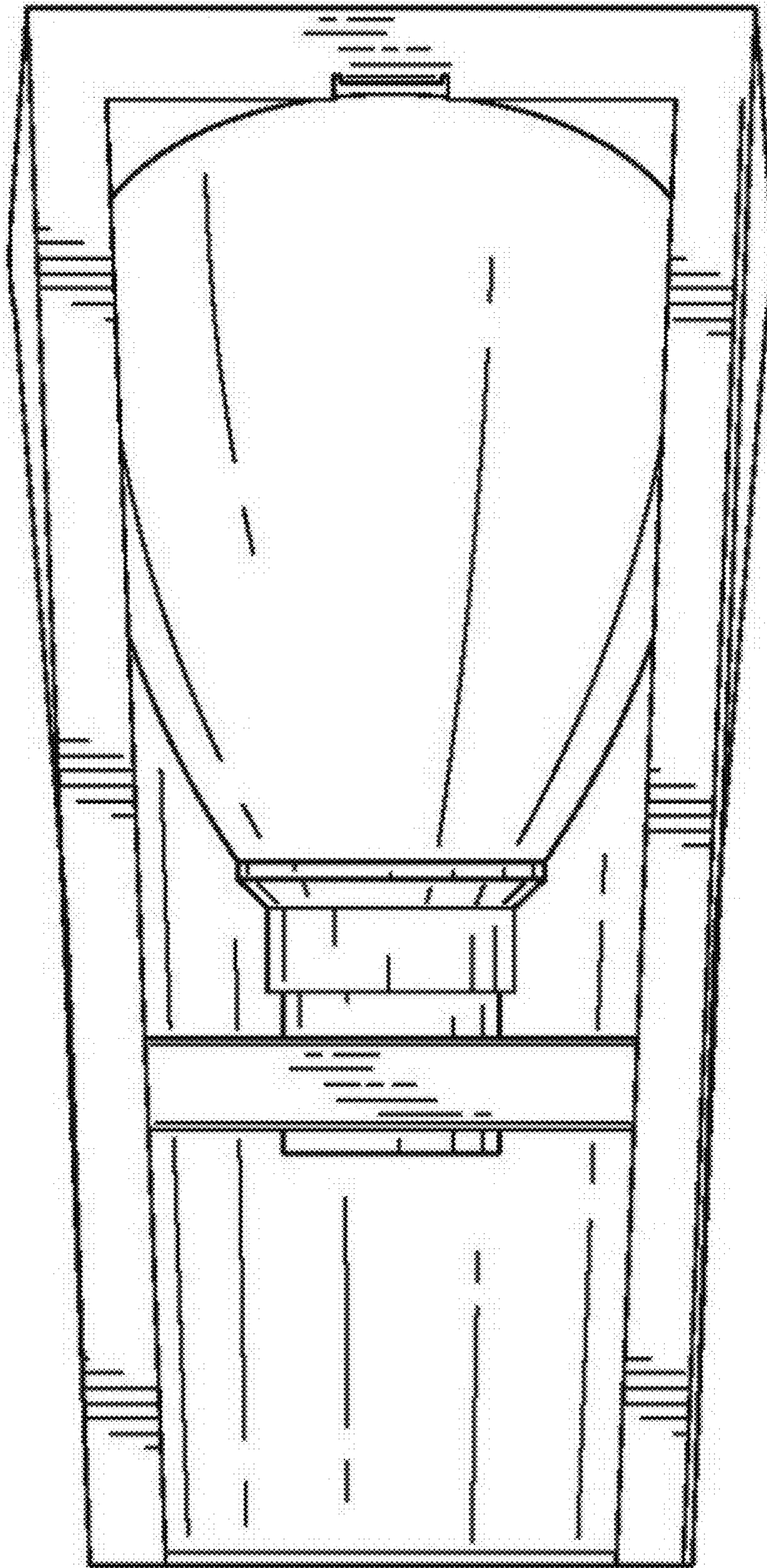
2.1



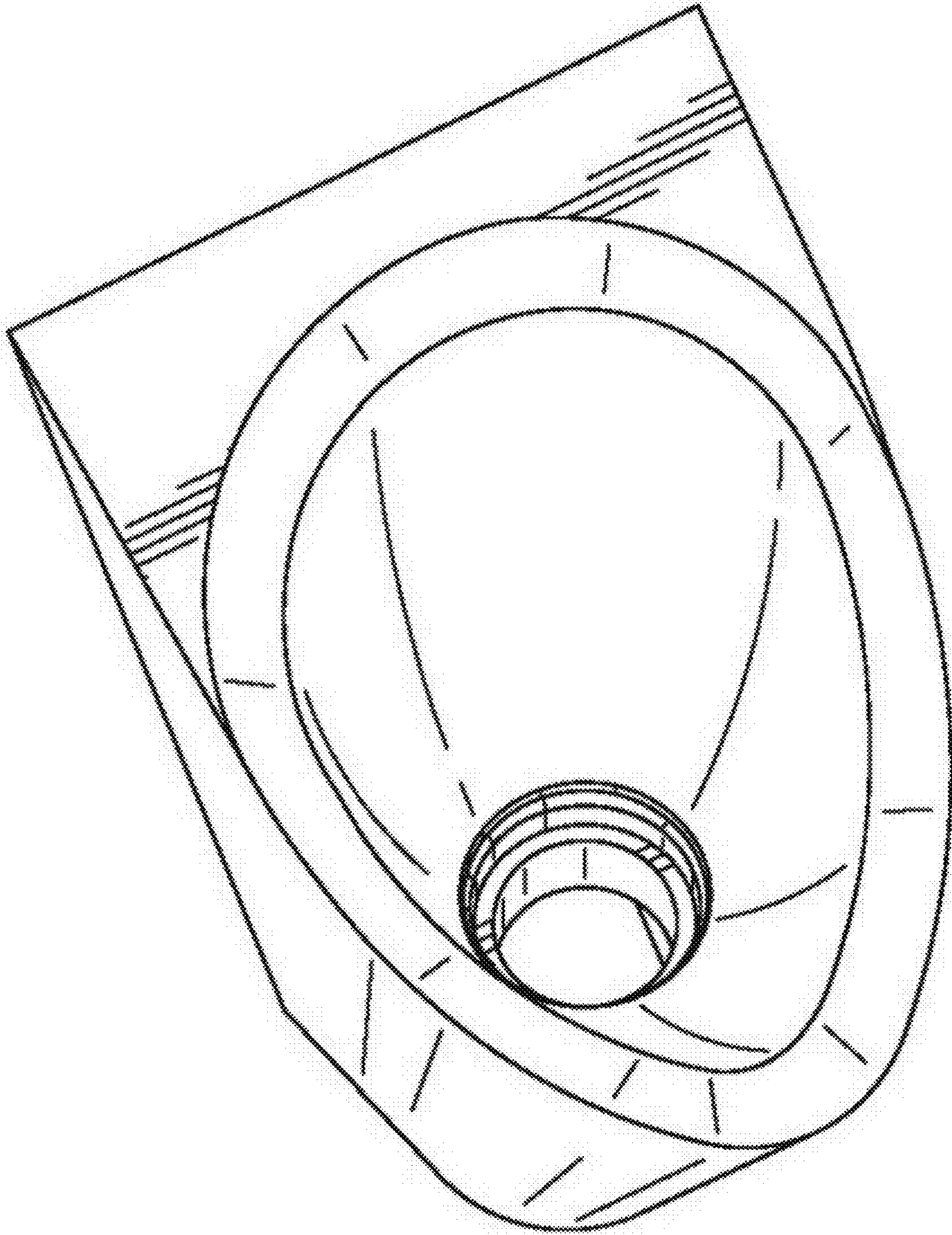
2.2



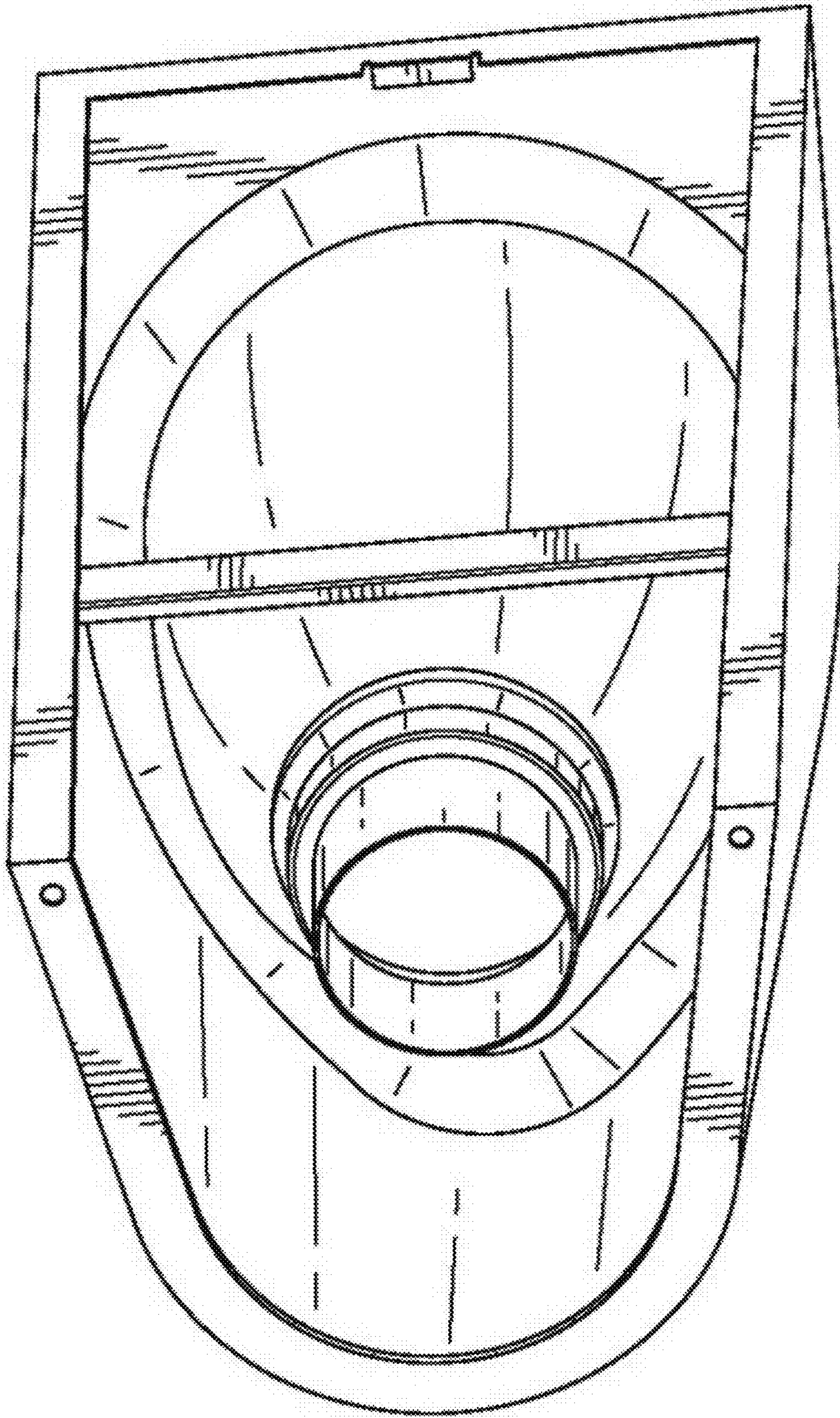
2.3



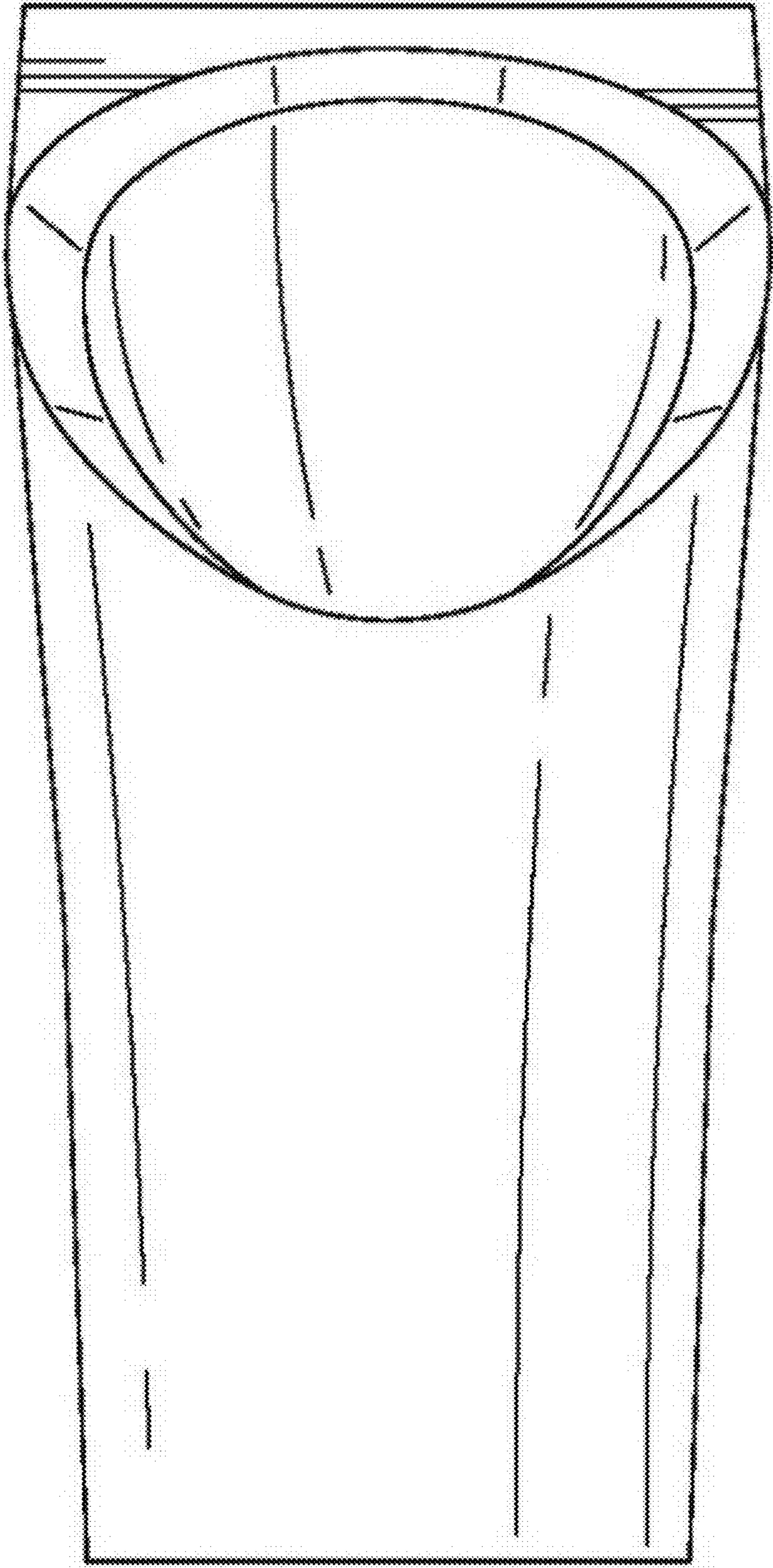
2.4



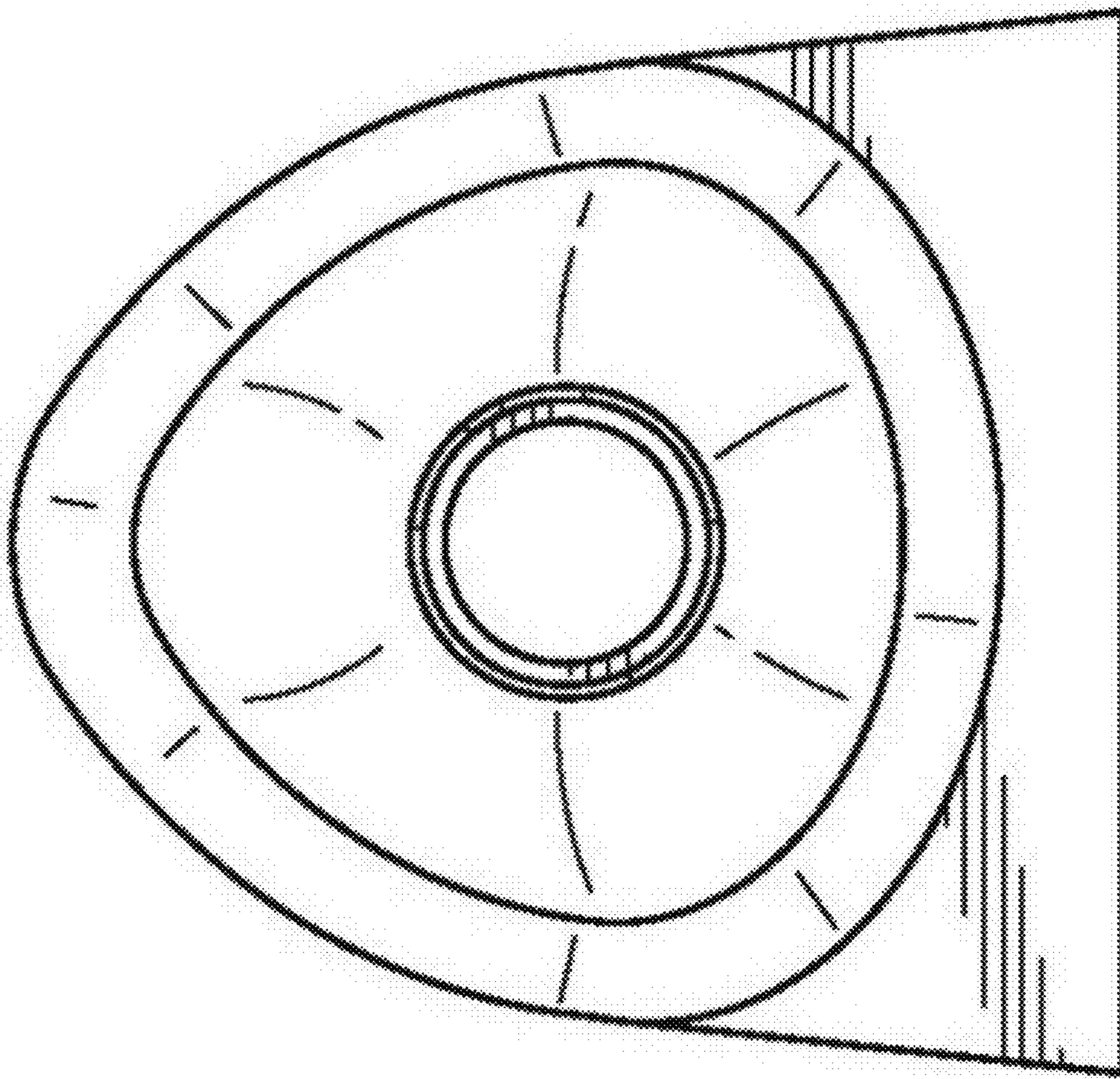
2.5



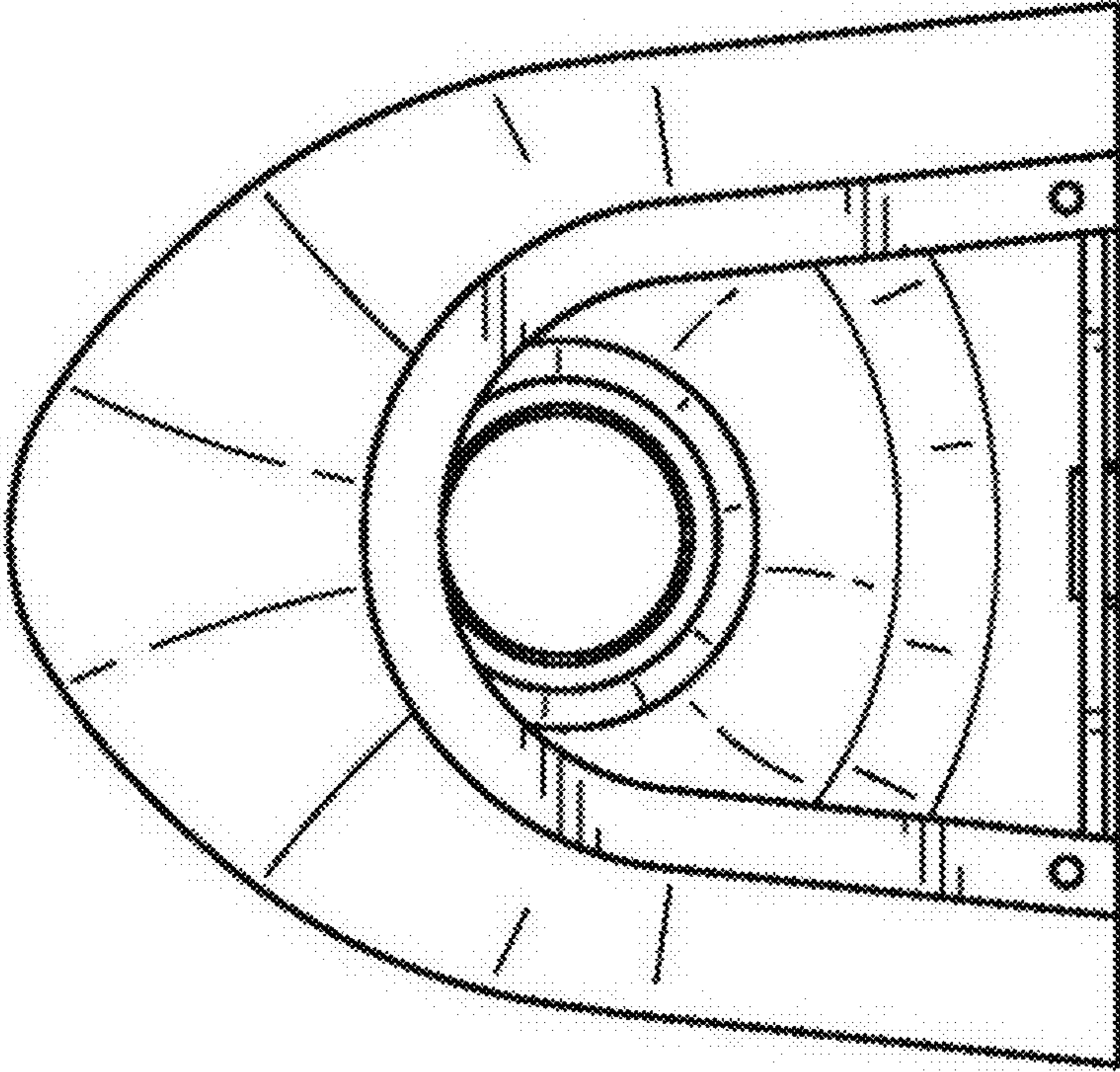
2.6



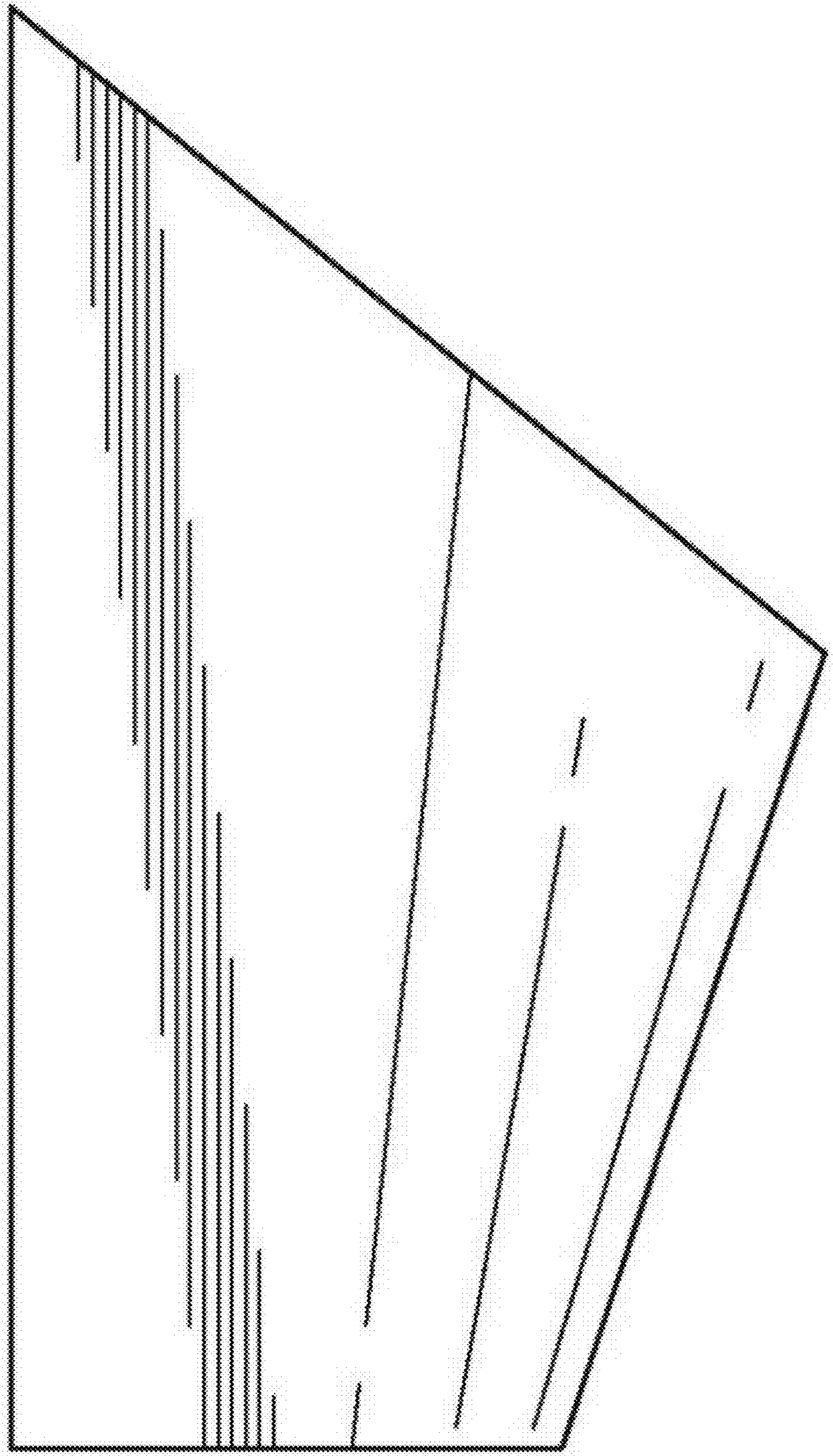
2.7



2.8



2.9



2.10

