



US00D801488S

(12) **United States Design Patent** (10) **Patent No.:** **US D801,488 S**
Bertani (45) **Date of Patent:** **** Oct. 31, 2017**

(54) **KITCHEN ARRANGEMENT**
(71) Applicant: **ENTERPRISE S.R.L.**, Bolzano (IT)
(72) Inventor: **Luciano Bertani**, Bolzano (IT)
(73) Assignee: **Enterprise S.R.L.**, Bolzano (IT)
(**) Term: **15 Years**

D173,921 S * 1/1955 Weiss D23/271
D189,786 S * 2/1961 Irwin D23/272
D228,261 S * 8/1973 Bull D7/340
D235,241 S * 6/1975 Peters et al. D6/671
D235,644 S * 7/1975 Rastegar D23/272
4,221,441 A * 9/1980 Bain E04B 1/34869
312/228
D263,733 S * 4/1982 Van Schayik D23/272
D296,850 S * 7/1988 Pamio D23/272
D313,272 S * 12/1990 Bulthaup D23/272
D331,100 S * 11/1992 Jacobsen D23/271

(21) Appl. No.: **35/500,181**

(22) Filed: **Jul. 30, 2015**

Primary Examiner — Richard E Chilcot
(74) *Attorney, Agent, or Firm* — Thomas | Horstemeyer, LLP

(80) **Hague Agreement Data**

Int. Filing Date: **Jul. 30, 2015**
Int. Reg. No.: **DM/087657**
Int. Reg. Date: **Jul. 30, 2015**
Int. Reg. Pub. Date: **Oct. 9, 2015**

(51) **LOC (10) Cl.** **32-00**

(52) **U.S. Cl.**
USPC **D23/272**
CPC **E04B 1/34869** (2013.01)

(58) **Field of Classification Search**
USPC ... D23/271–272, 284, 287, 293.1, 303, 308;
4/619, 630–638, 661; D7/346, 363;
D6/397, 432, 509, 470, 422, 492;
312/228, 249.12
CPC E04B 1/34869; A47K 4/00
See application file for complete search history.

(56) **References Cited**

U.S. PATENT DOCUMENTS

1,235,539 A * 8/1917 Abadie A47B 31/00
126/348
D82,388 S * 10/1930 Murray 126/37 A
D102,529 S * 12/1936 Tod 312/309
D148,373 S * 1/1948 Little D23/272
D153,094 S * 3/1949 Armbruster 312/107
D154,578 S * 7/1949 Asaro 312/107
2,550,539 A * 4/1951 Guyon A47B 77/16
312/107
D163,754 S * 6/1951 Houpt D23/272

(Continued)

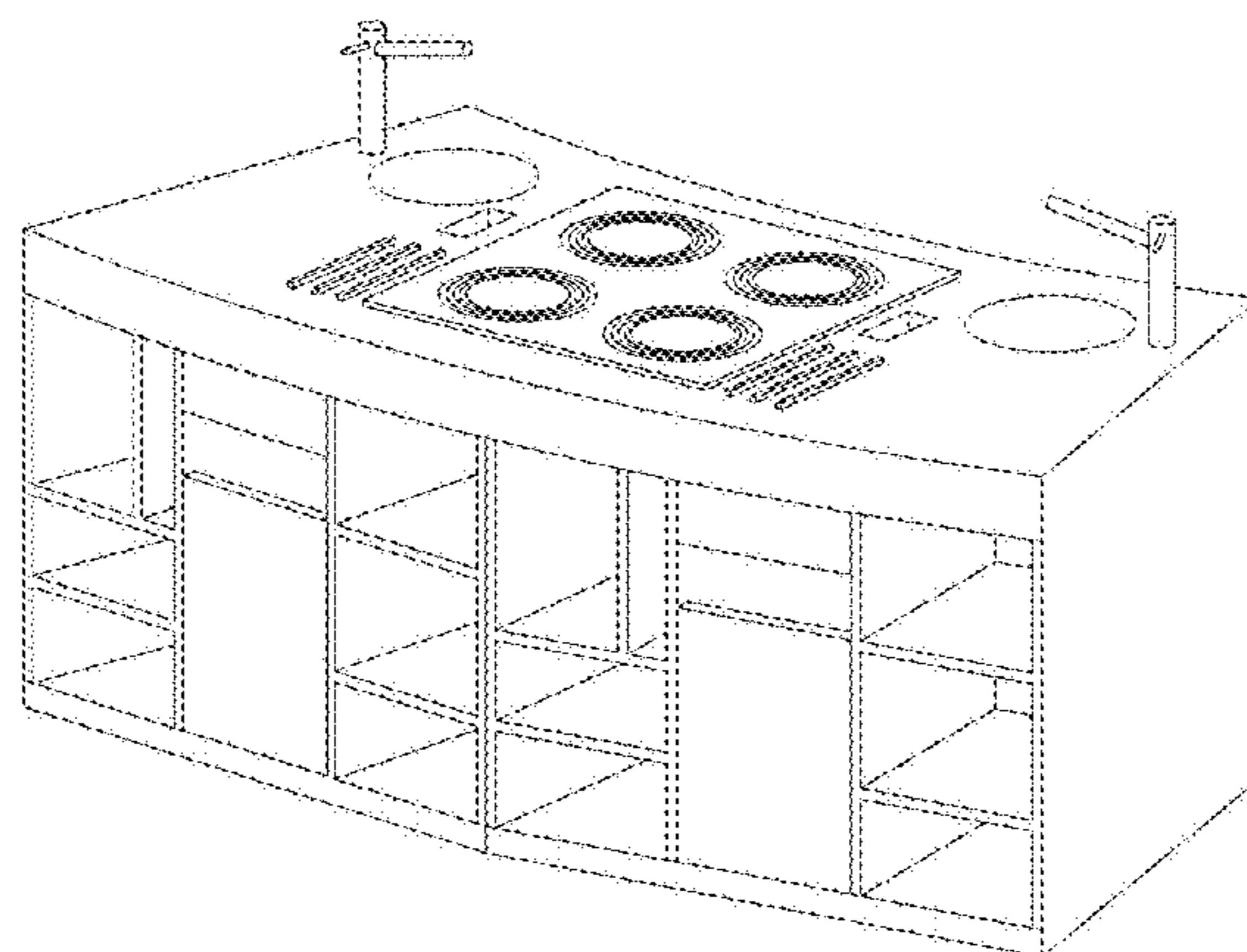
(57) **CLAIM**

The ornamental design for a kitchen arrangement, as shown and described.

DESCRIPTION

1.1 is a front elevational view of a kitchen arrangement showing my new design;
1.2 is a rear elevational view thereof, opposite that of **1.1**;
1.3 is a side view thereof;
1.4 is a side view thereof, from a side opposite that of **1.3**;
1.5 is a top view thereof;
1.6 is a bottom view thereof;
1.7 is a front perspective view thereof;
2.1 is a front view of a variation of the kitchen arrangement of **1.1** depicting multiples of the embodiment of **1.1** arranged together;
2.2 is a rear view thereof, opposite that of **2.1**;
2.3 is a top view thereof;
2.4 is a bottom view thereof;
2.5 is a rear perspective view thereof; and
2.6 is a front perspective view thereof, opposite that of **2.5**.
The broken lines showing parts of the kitchen arrangement herein are for the purposes of illustrating the environment only and form no part in the claimed design.

1 Claim, 13 Drawing Sheets



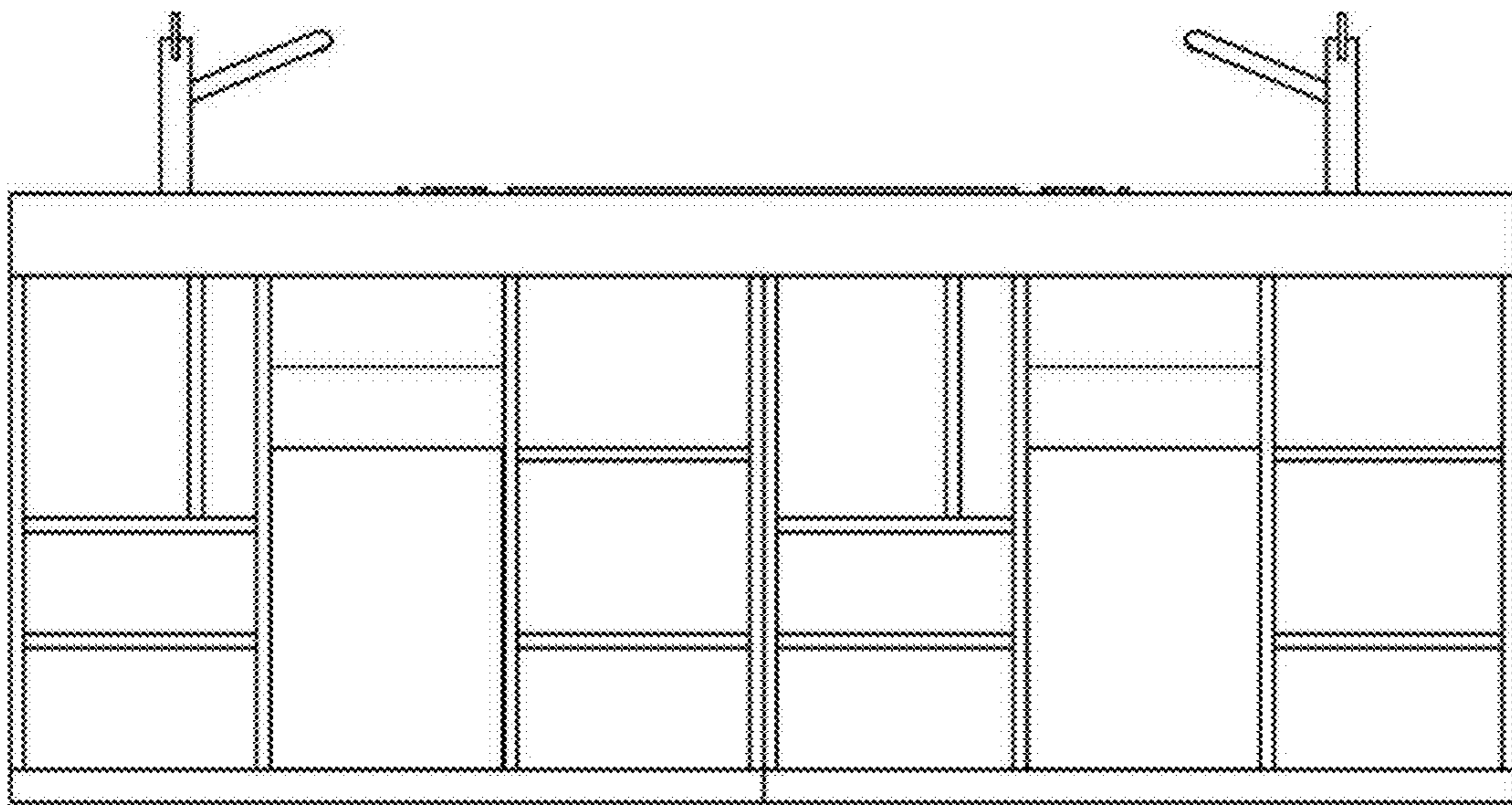
(56)

References Cited

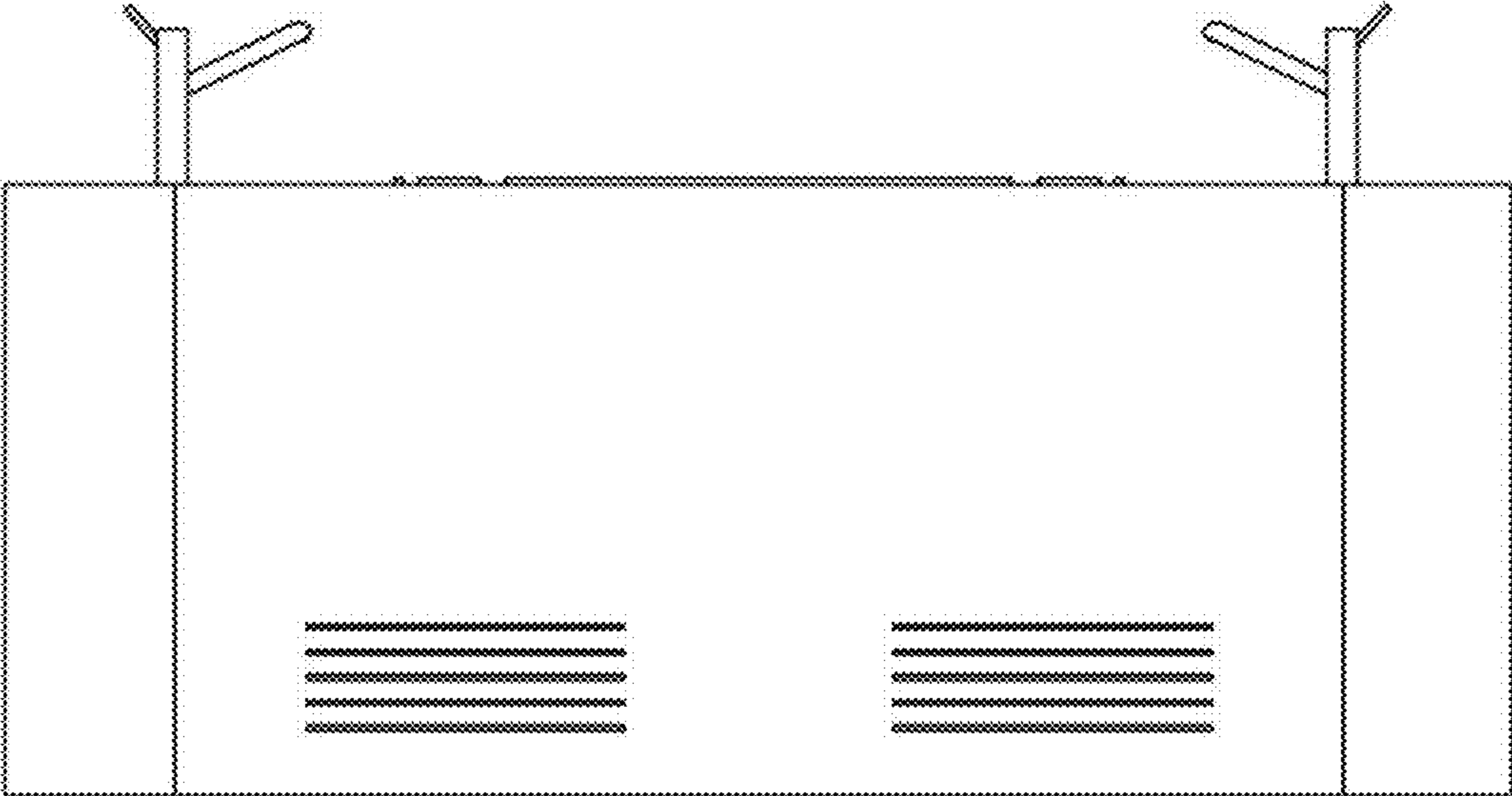
U.S. PATENT DOCUMENTS

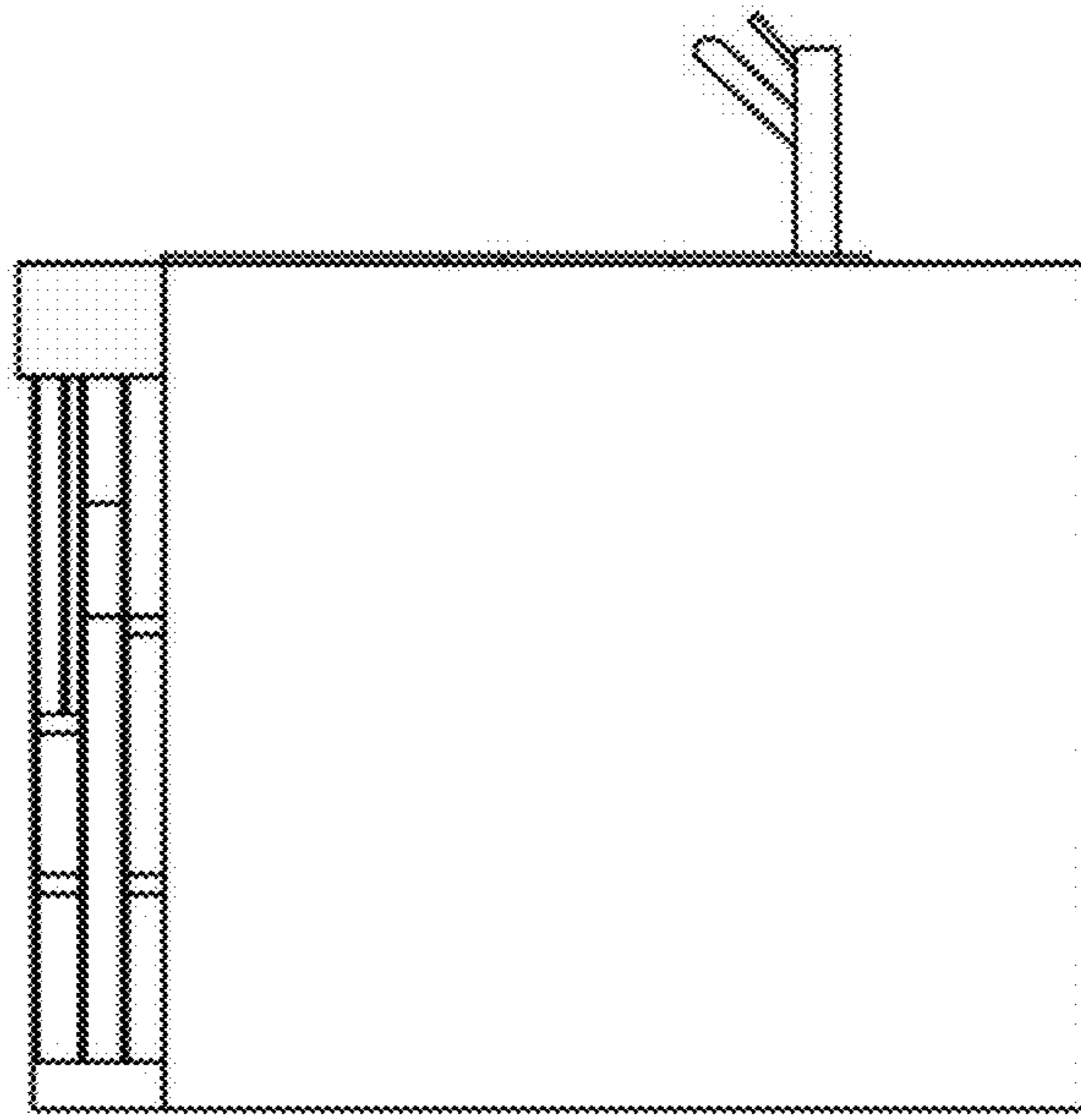
D332,013	S	*	12/1992	Gordon	D6/699
D337,021	S	*	7/1993	Boetto	D7/339
D351,966	S	*	11/1994	King	D7/339
D357,062	S	*	4/1995	Schreiner	D23/272
D366,292	S	*	1/1996	Monneret	D21/524
D538,098	S	*	3/2007	Thygesen	D7/339
D552,407	S	*	10/2007	Ritterling	D7/340
D591,551	S	*	5/2009	Boisvert	D7/339
D615,174	S	*	5/2010	Archiutti	D23/303
D627,592	S	*	11/2010	Wen	D7/339
D628,278	S	*	11/2010	Archiutti	D23/271
D660,638	S	*	5/2012	Schindler	D7/339
D661,384	S	*	6/2012	Siekmann	D23/271
D681,785	S	*	5/2013	Siekmann	D23/271
D726,889	S	*	4/2015	Marquez Velez	D23/272

* cited by examiner

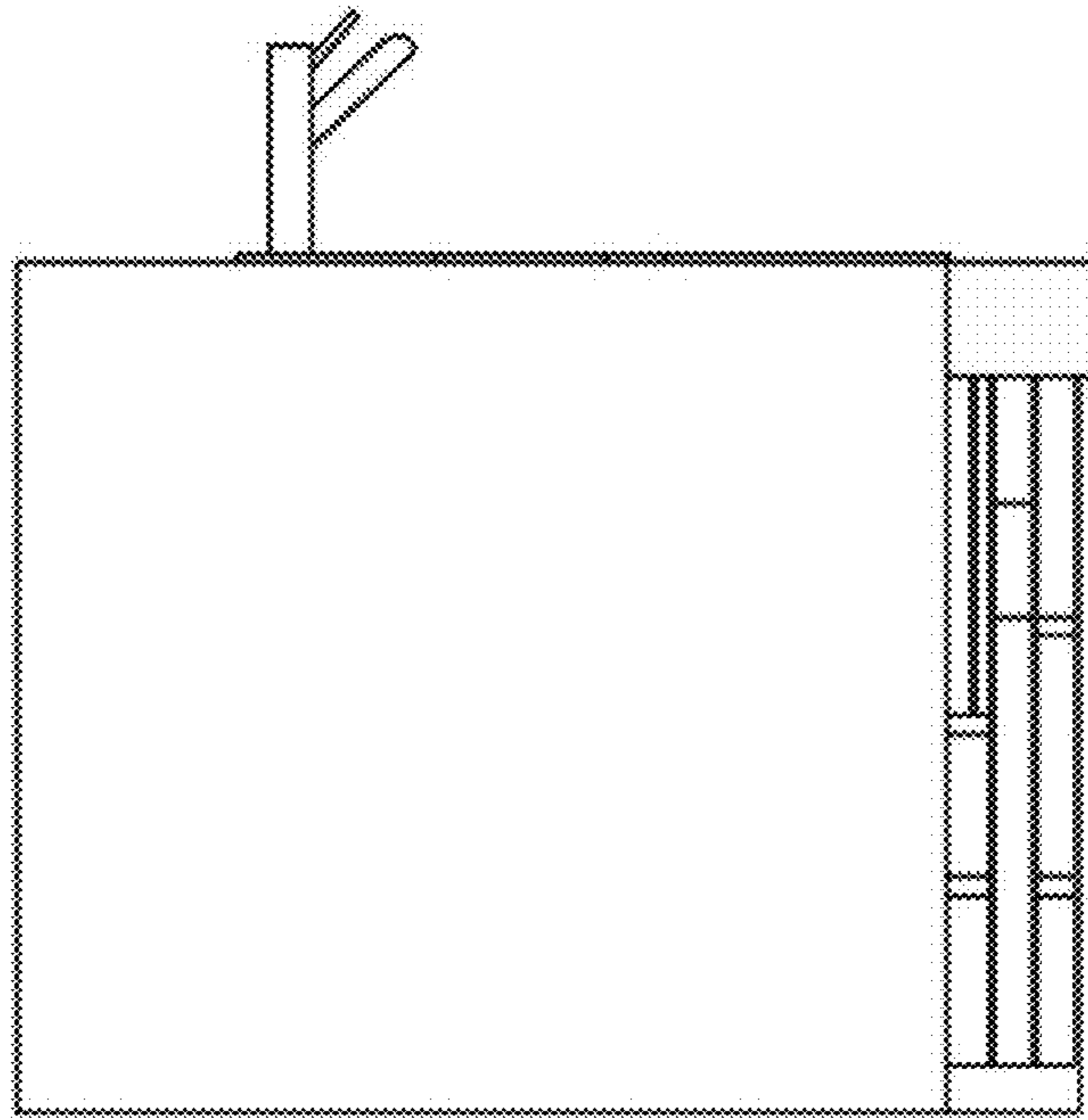


1.1

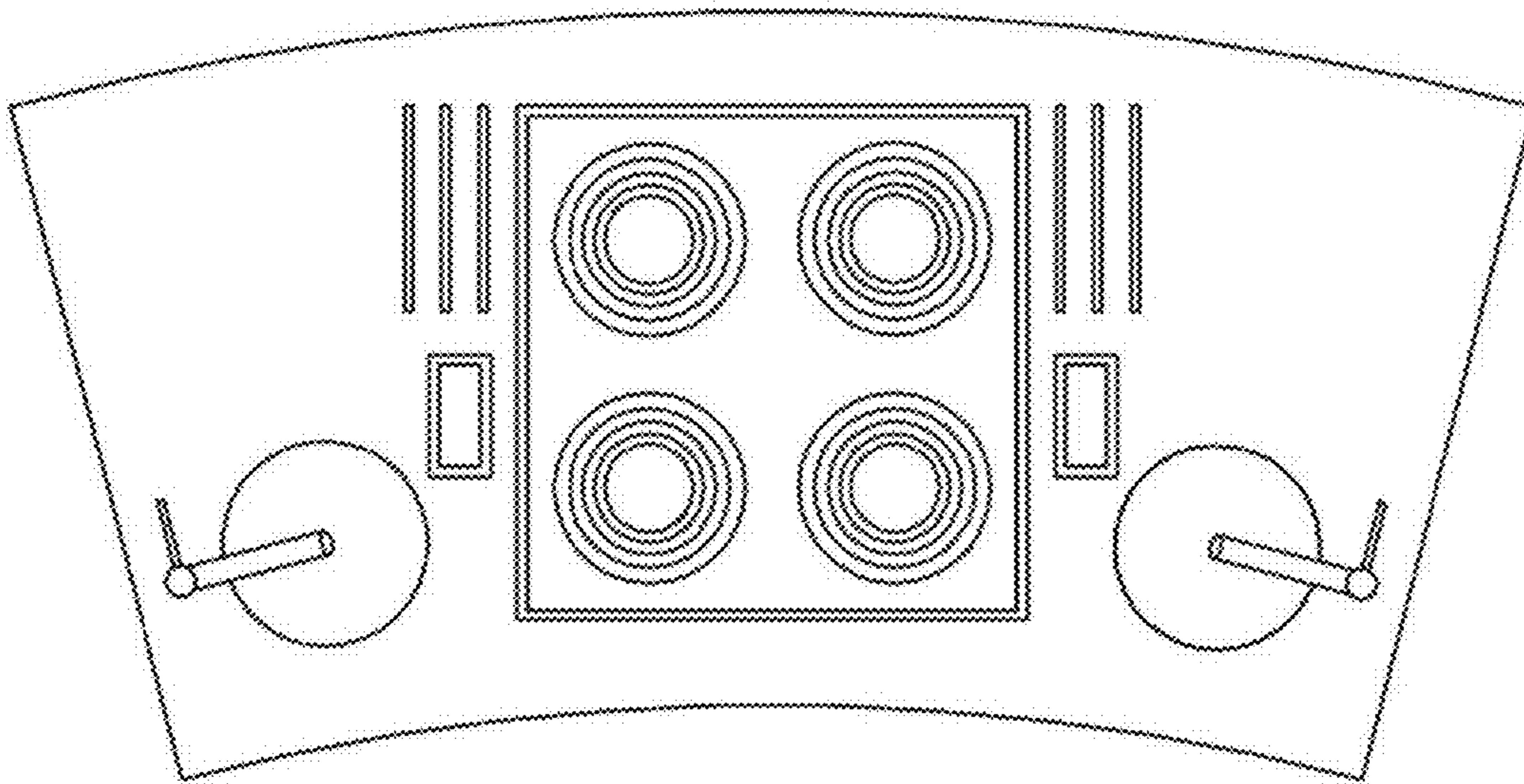




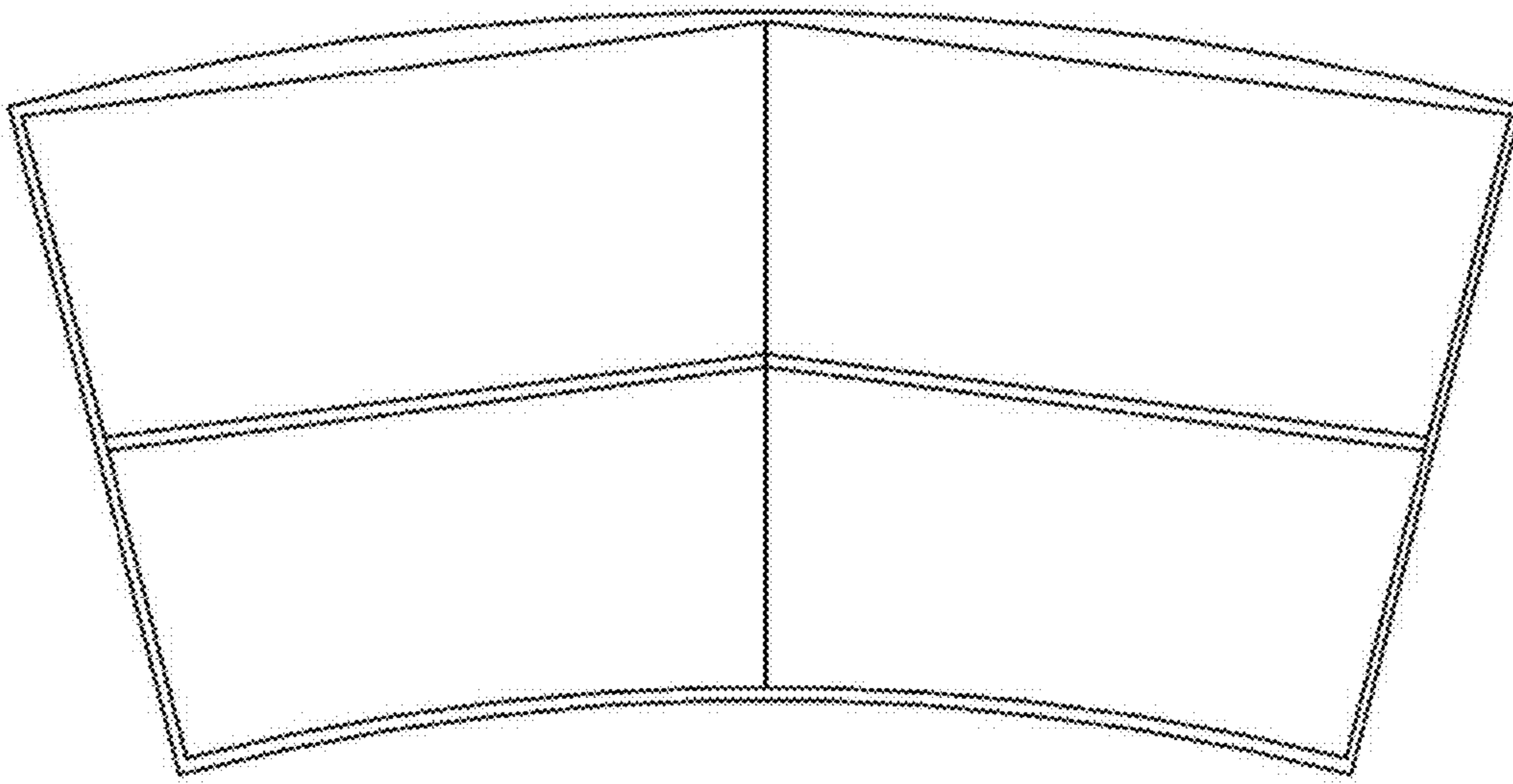
1.3



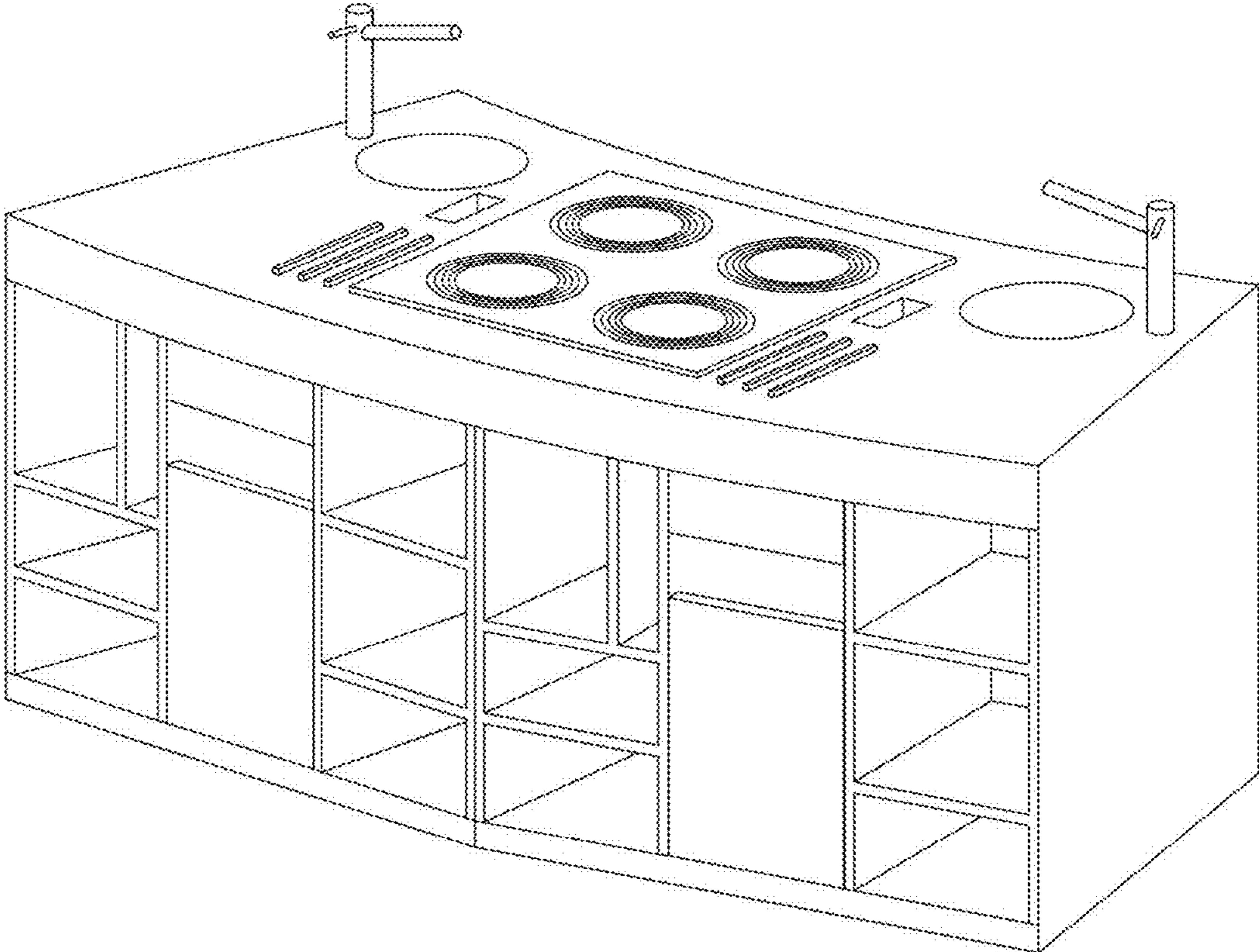
1.4



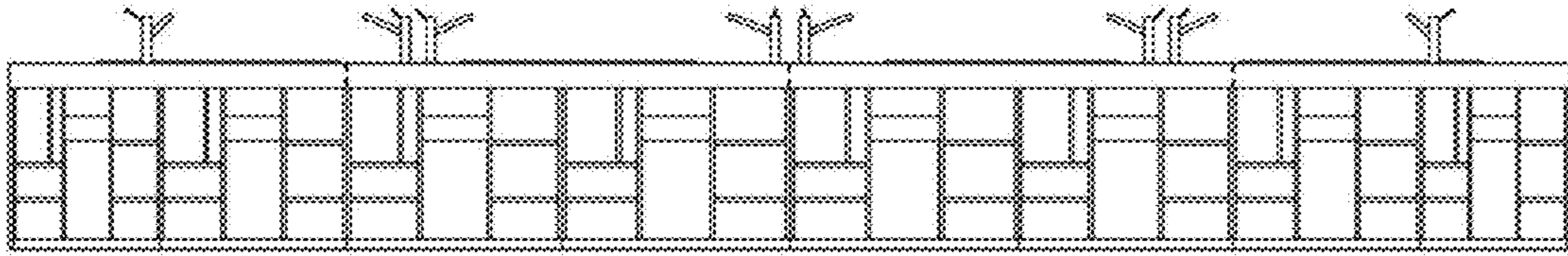
1.5



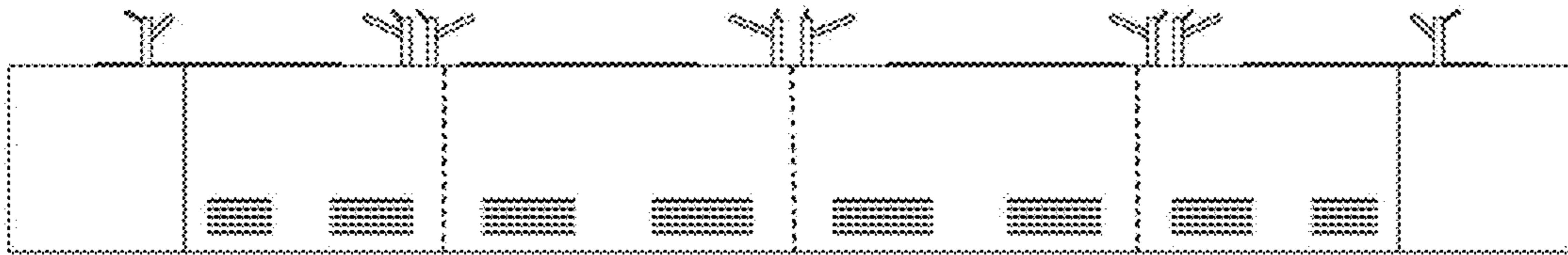
1.6

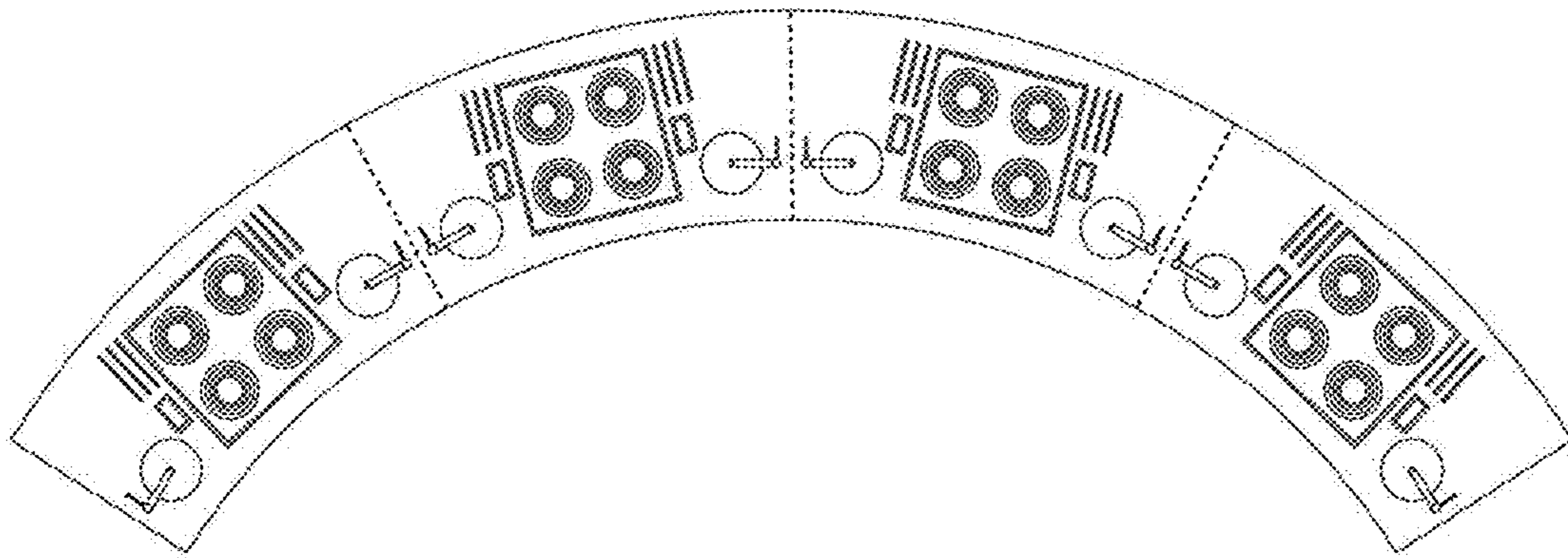


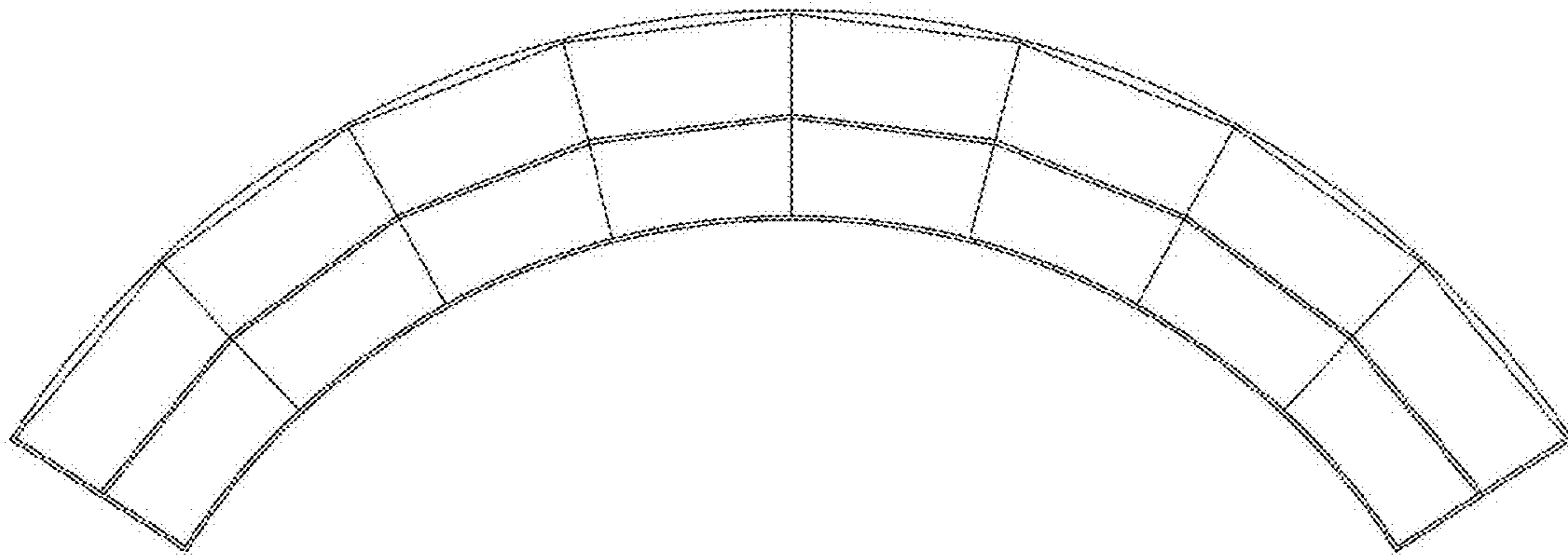
1.7



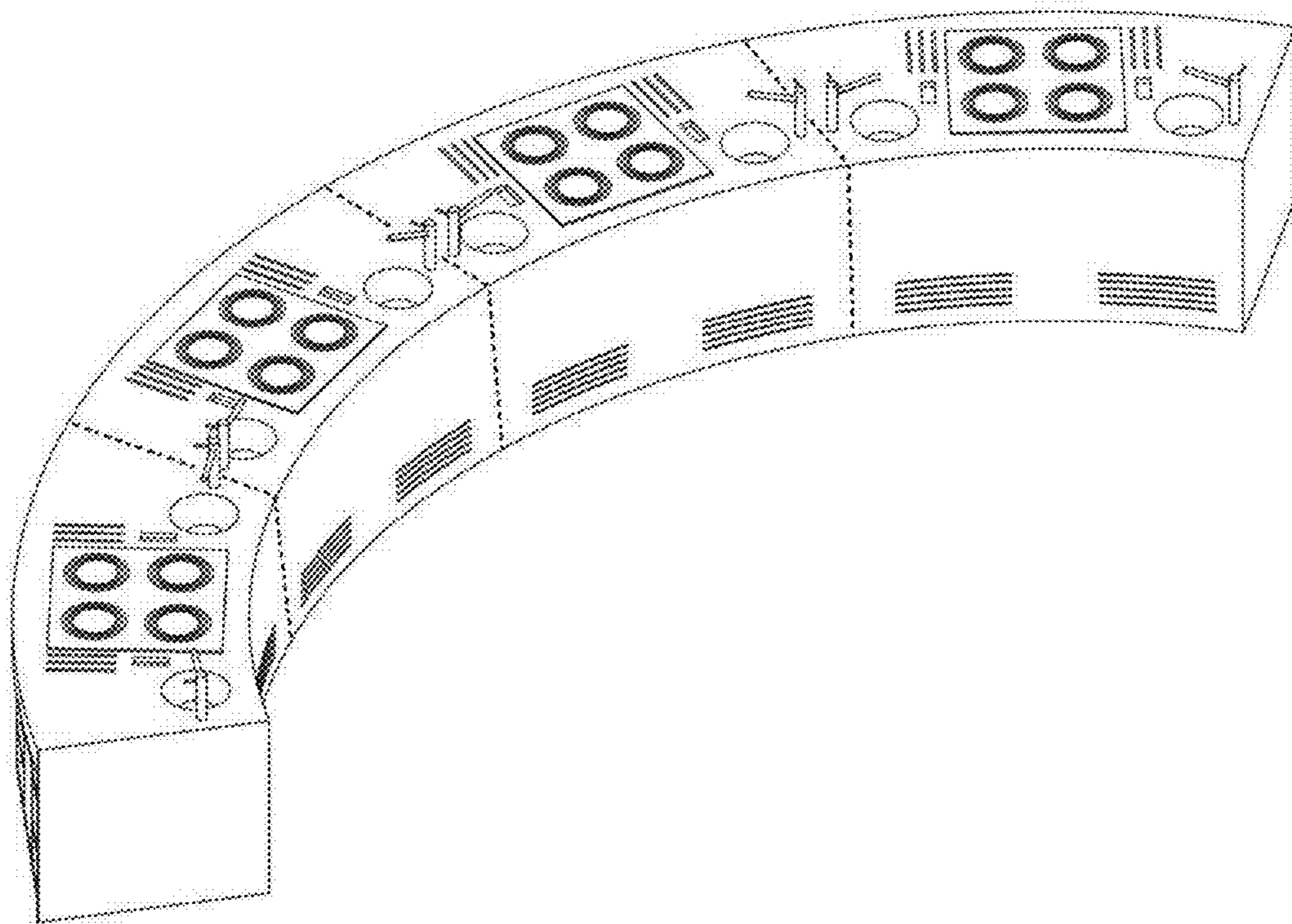
2.1

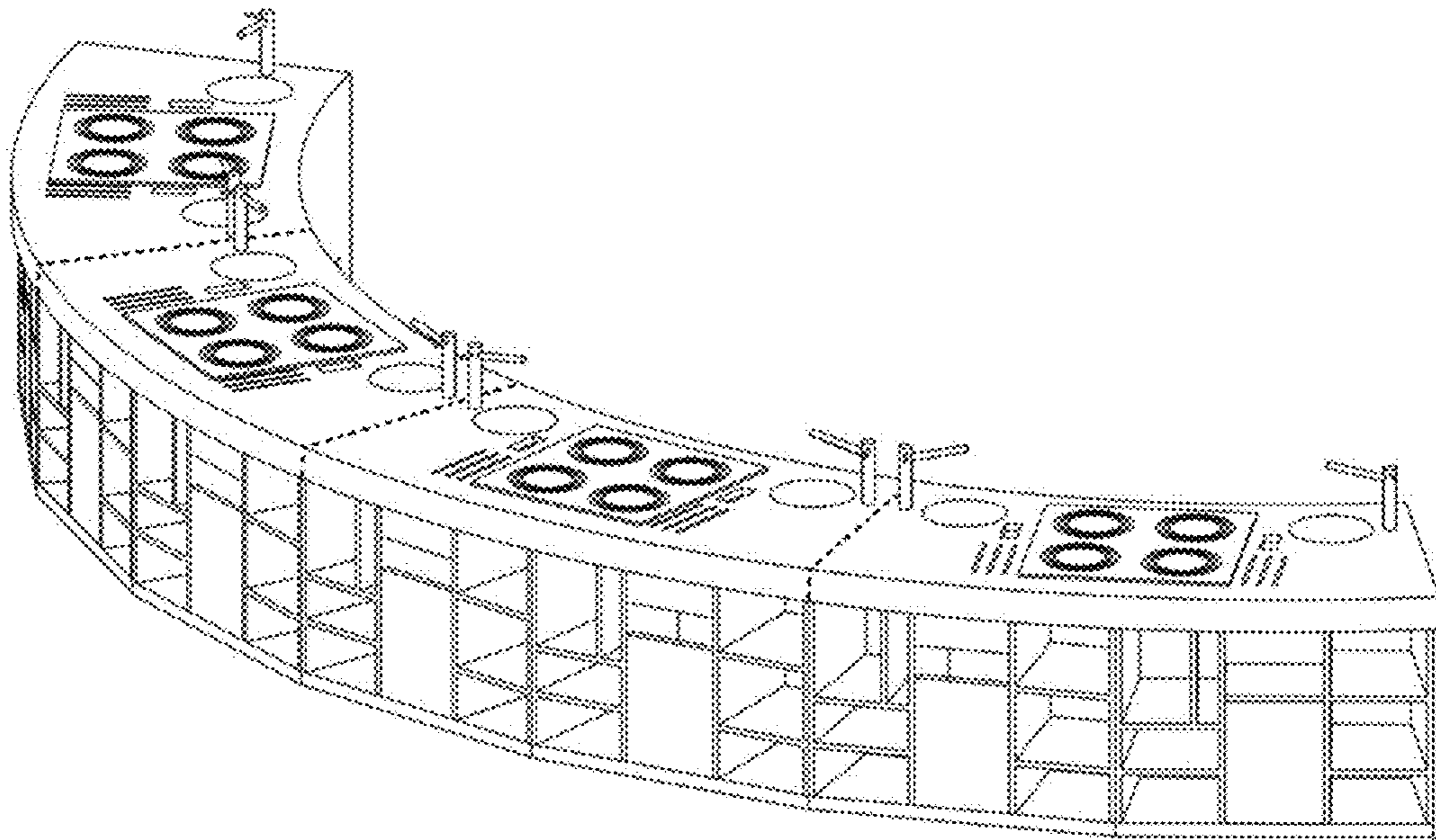






2.4





UNITED STATES PATENT AND TRADEMARK OFFICE
CERTIFICATE OF CORRECTION

PATENT NO. : D801,488 S
APPLICATION NO. : 35/500181
DATED : October 31, 2017
INVENTOR(S) : Luciano Bertani

Page 1 of 1

It is certified that error appears in the above-identified patent and that said Letters Patent is hereby corrected as shown below:

On the Title Page

After item (80) in Column 1, the following paragraph should be inserted:

--(30) Foreign Application Priority Data
February 4, 2015 (EM) 002626606--

Signed and Sealed this
Fifth Day of March, 2019



Andrei Iancu
Director of the United States Patent and Trademark Office