



US00D801486S

(12) **United States Design Patent** (10) **Patent No.:** **US D801,486 S**  
**Wildfang et al.** (45) **Date of Patent:** **\*\* Oct. 31, 2017**

(54) **HOSE COUPLING**  
(71) Applicant: **Neoperl GmbH**, Mullheim (DE)  
(72) Inventors: **Fabian Wildfang**, Mullheim (DE);  
**Werner Kury**, Mullheim (DE)  
(73) Assignee: **Neoperl GmbH**, Müllheim (DE)  
(\*\*) Term: **15 Years**  
(21) Appl. No.: **29/554,183**  
(22) Filed: **Feb. 9, 2016**

D265,418 S \* 7/1982 Chow ..... D23/262  
D283,342 S \* 4/1986 Tisserat ..... D23/262  
D299,772 S \* 2/1989 Smith ..... D32/31  
D300,574 S \* 4/1989 Smith ..... D32/31  
D314,848 S \* 2/1991 Foldes ..... D32/31  
D327,120 S \* 6/1992 Ambrosi ..... D23/262  
D356,147 S \* 3/1995 Clivio ..... D23/262  
D394,306 S \* 5/1998 Clivio ..... D23/262  
D402,012 S \* 12/1998 Clivio ..... D23/262  
D402,357 S \* 12/1998 Clivio ..... D23/262  
D403,056 S \* 12/1998 Clivio ..... D23/262  
D441,849 S \* 5/2001 Plewa vom Berg ..... D23/265  
D475,768 S \* 6/2003 Walker ..... D23/262  
D475,769 S \* 6/2003 Walker ..... D23/262  
D501,673 S \* 2/2005 Bressler ..... D23/262  
D511,203 S \* 11/2005 Bressler ..... D23/262  
D532,947 S \* 11/2006 Muscarella ..... D32/31

(Continued)

**Related U.S. Application Data**

(62) Division of application No. 29/503,996, filed on Oct. 1, 2014, now Pat. No. Des. 752,721.

*Primary Examiner* — John Windmuller

*Assistant Examiner* — Steven Czyz

(74) *Attorney, Agent, or Firm* — Volpe and Koenig, P.C.

(30) **Foreign Application Priority Data**

Apr. 17, 2014 (WO) ..... DM/083751

(51) **LOC (10) Cl.** ..... **23-01**

(52) **U.S. Cl.**  
USPC ..... **D23/262**

(58) **Field of Classification Search**  
USPC ..... D23/259–266; D13/133  
CPC ..... F16L 33/225; F16L 33/224; F16L 33/01;  
F16L 55/132; E21B 17/024; E03C 1/122;  
E03D 9/031; F16K 47/08  
See application file for complete search history.

(56) **References Cited**

**U.S. PATENT DOCUMENTS**

D245,704 S \* 9/1977 Dyrup ..... D23/265  
D254,505 S \* 3/1980 Parsons ..... D23/262  
D254,802 S \* 4/1980 Hayes ..... D23/262  
D254,863 S \* 4/1980 Hayes ..... D23/262  
D258,636 S \* 3/1981 Boyko ..... 81/176.1  
D262,133 S \* 12/1981 Fain ..... D23/262

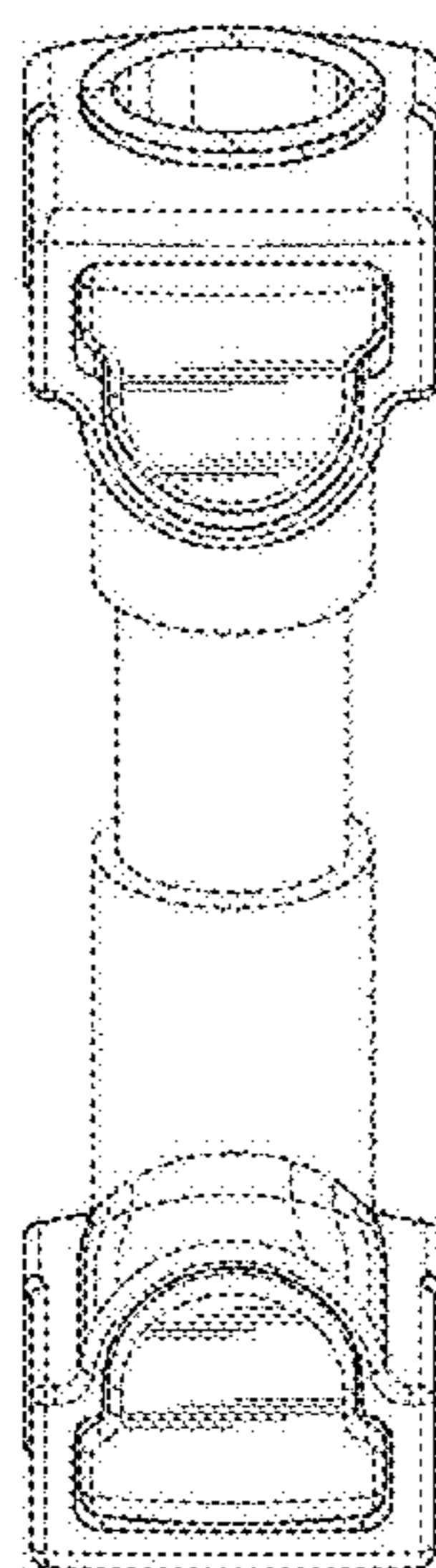
(57) **CLAIM**

The ornamental design for a hose coupling, as shown and described.

**DESCRIPTION**

FIG. 1 is a top view of a hose coupling in accordance with our design;  
FIG. 2 is a top, front perspective view thereof;  
FIG. 3 is a top, rear perspective view thereof;  
FIG. 4 is a bottom view thereof;  
FIG. 5 is a bottom, front perspective view thereof;  
FIG. 6 is a bottom, rear perspective view thereof;  
FIG. 7 is a rear elevation view thereof;  
FIG. 8 is a right side elevation view thereof;  
FIG. 9 is a front elevation view thereof; and,  
FIG. 10 is a left side elevation view thereof.  
The broken lines depict portions of the article that form no part of the claimed design.

**1 Claim, 10 Drawing Sheets**



(56)

**References Cited**

U.S. PATENT DOCUMENTS

D679,784 S *	4/2013	Meyer .....	D23/262
D687,528 S *	8/2013	Meyer .....	D23/262
D730,518 S *	5/2015	Lombardi, III .....	D24/129
D736,357 S *	8/2015	Melo .....	D23/262
D736,358 S *	8/2015	Melo .....	D23/262
D736,359 S *	8/2015	Melo .....	D23/262
D738,471 S *	9/2015	Melo .....	D23/262
D752,721 S *	3/2016	Wildfang .....	D23/262
2004/0061331 A1 *	4/2004	Murken .....	F16L 37/144 285/305
2011/0155735 A1 *	6/2011	DeMent .....	F16L 55/1157 220/315
2012/0086201 A1 *	4/2012	Murken .....	F16L 37/144 285/305

\* cited by examiner

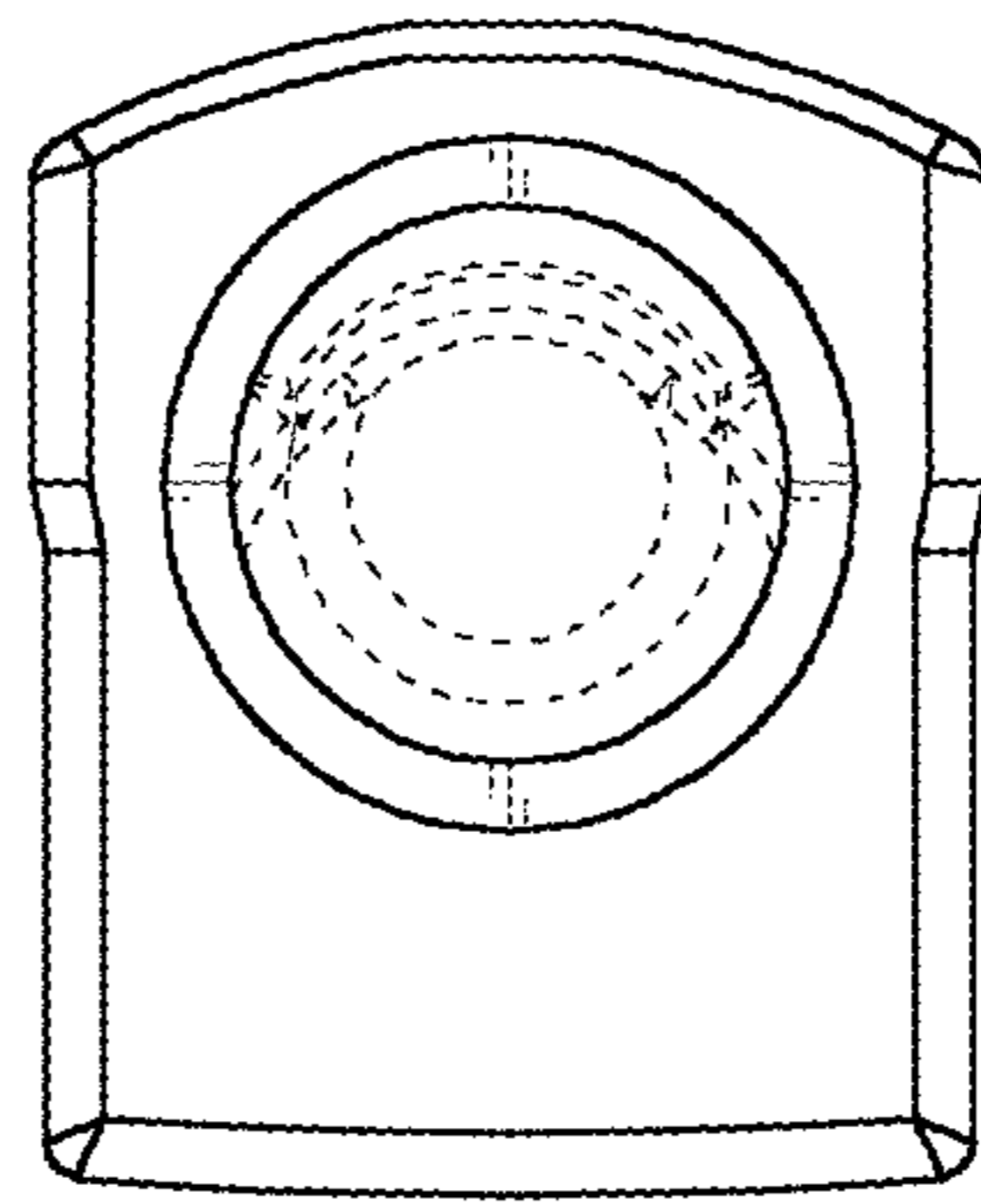


Fig.1

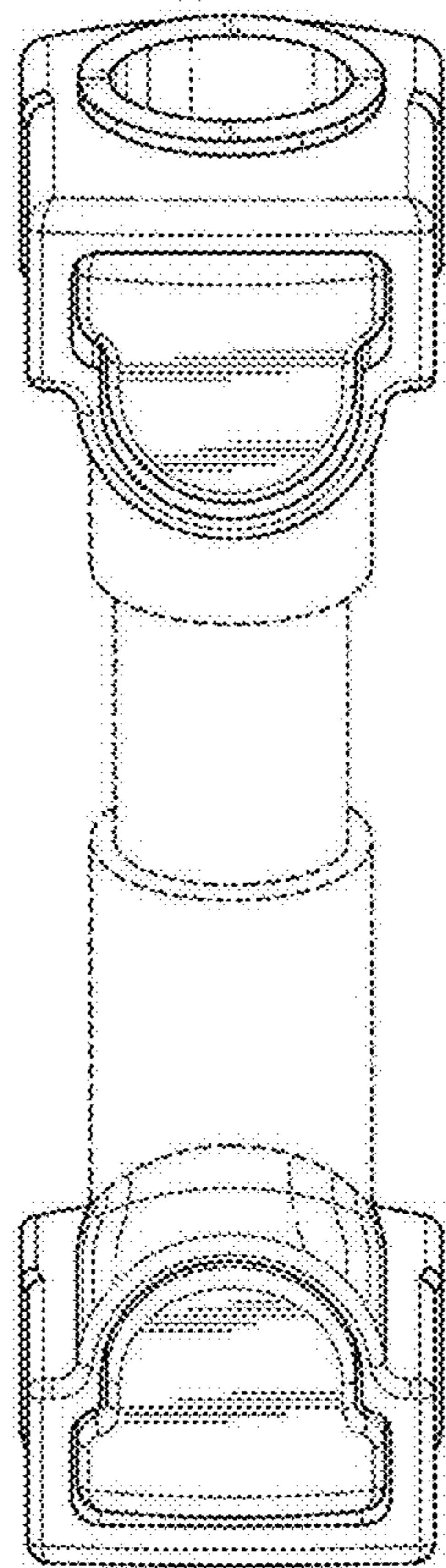


Fig. 2

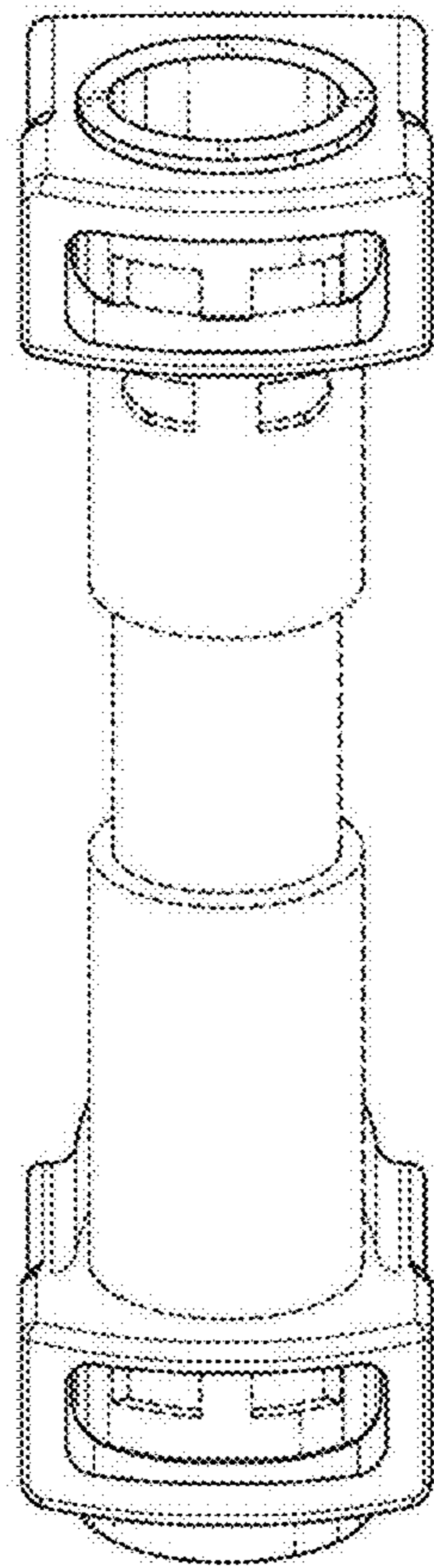


Fig. 3

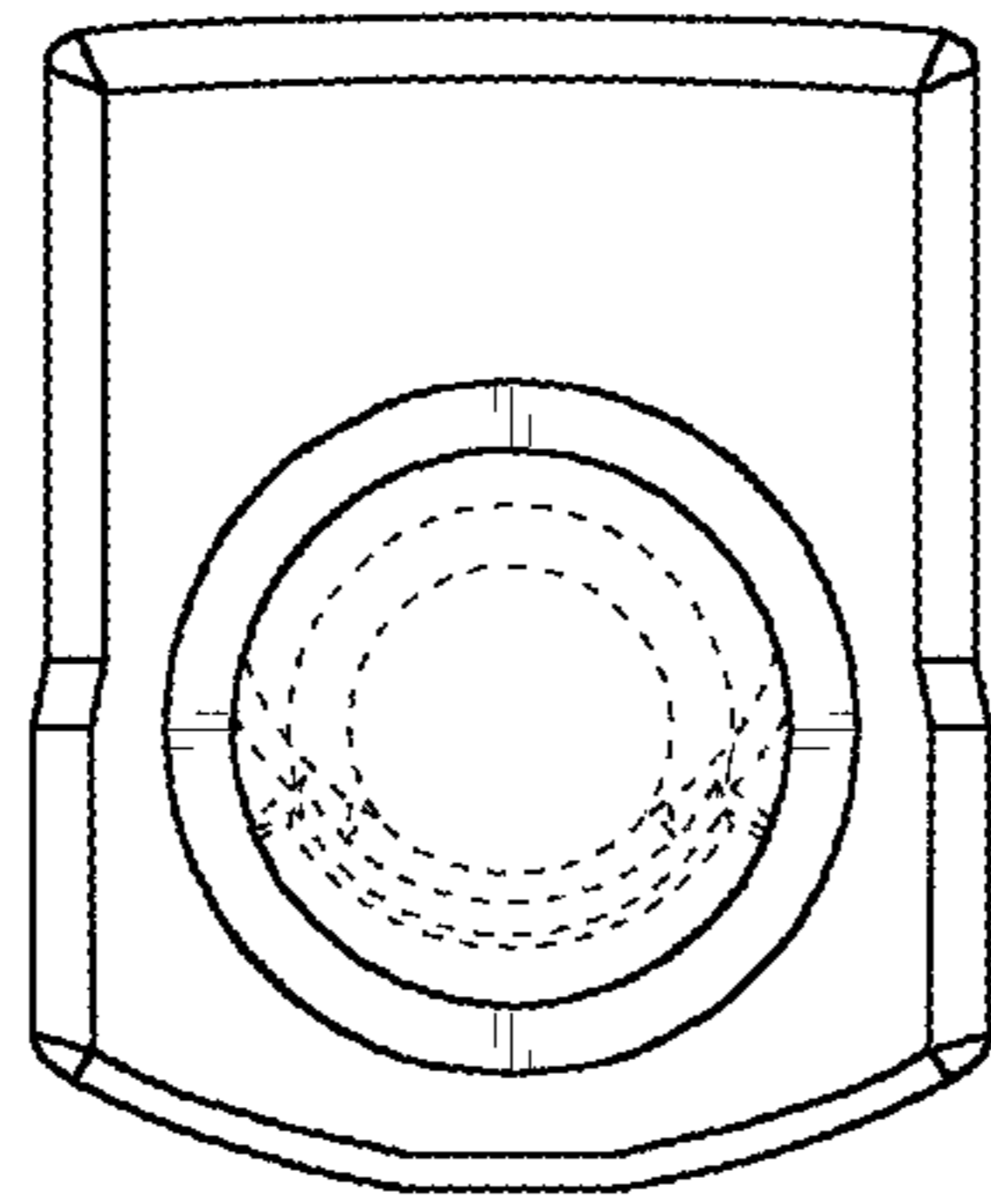


Fig. 4

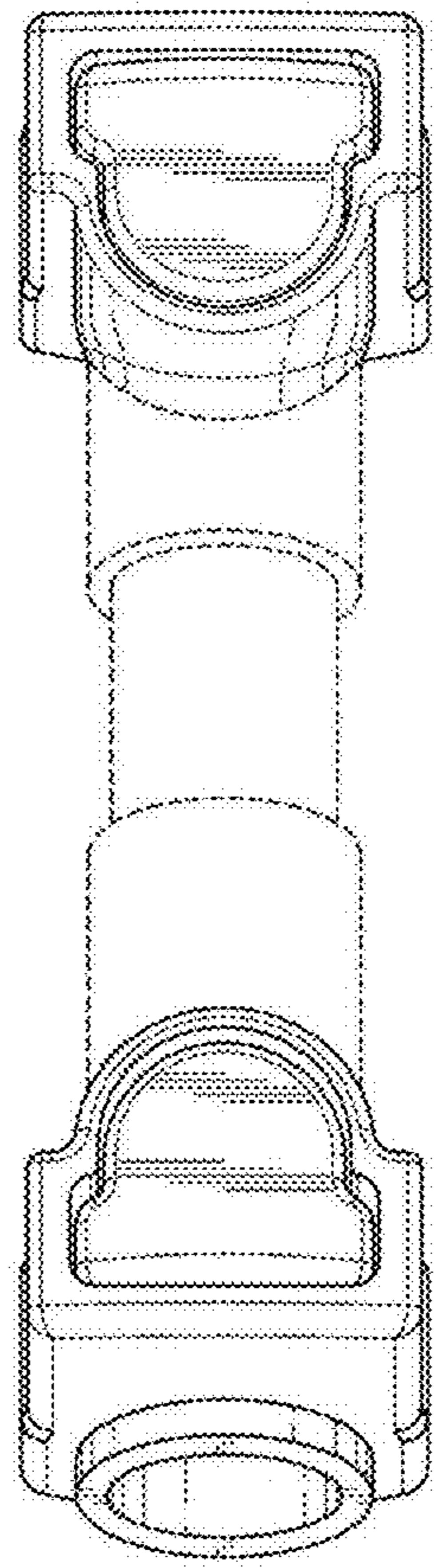


Fig. 5

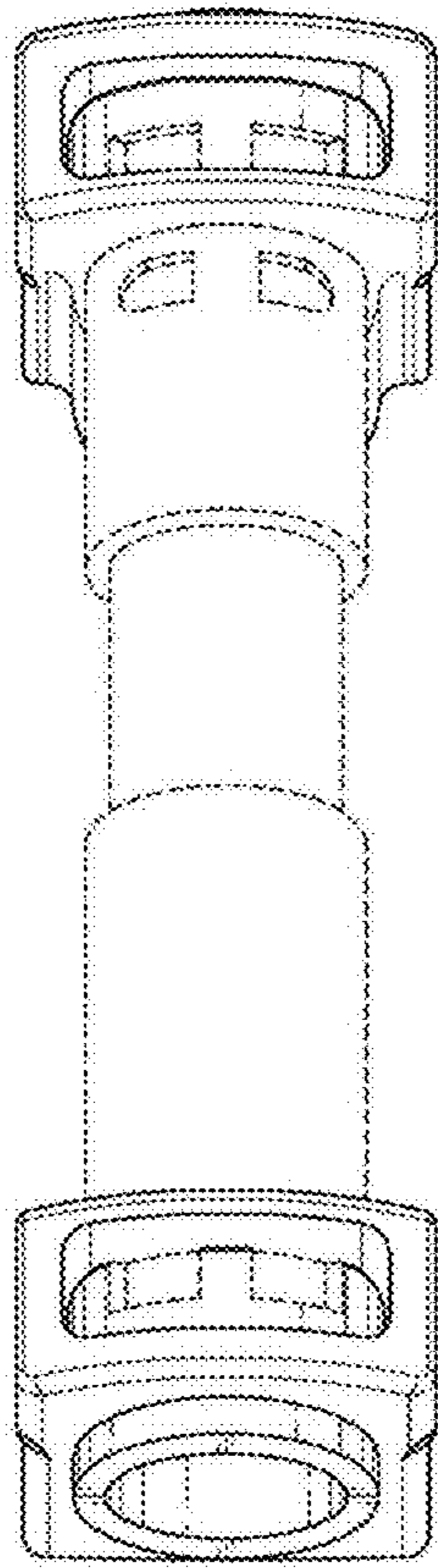


Fig. 6



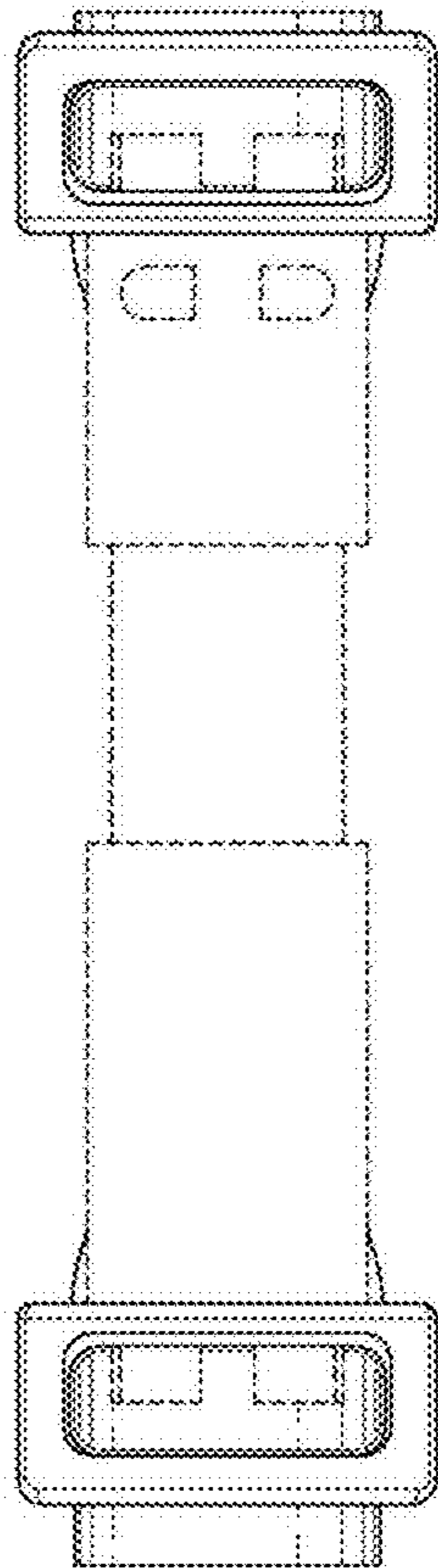


Fig. 7

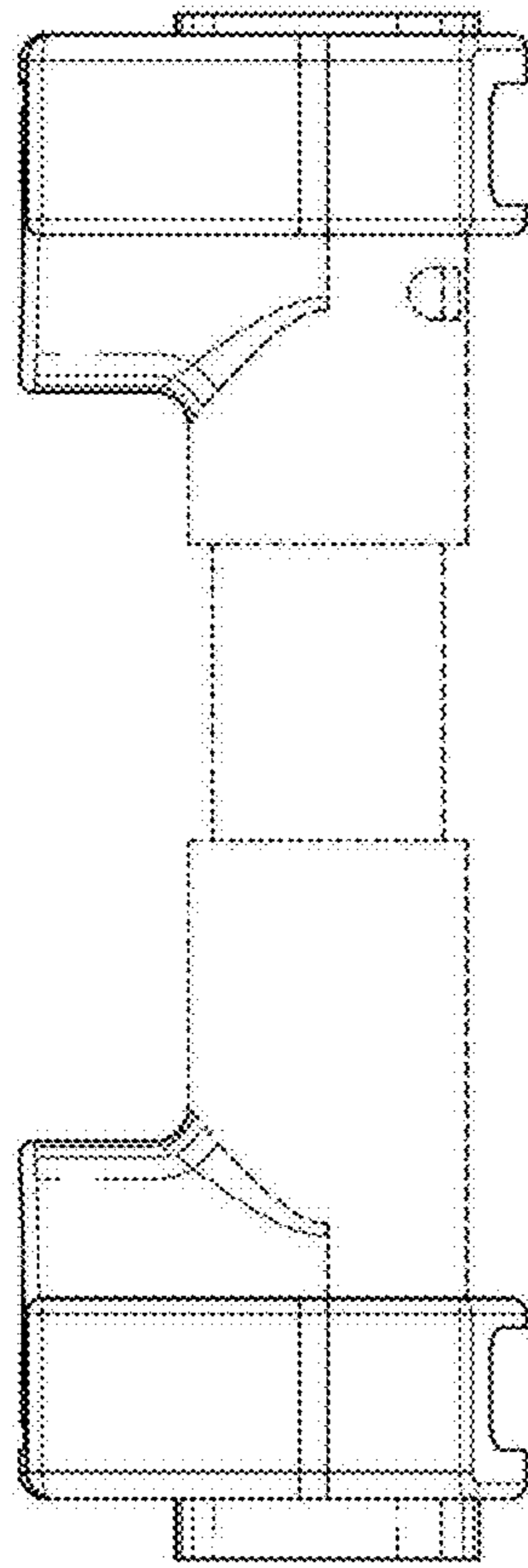


Fig. 8

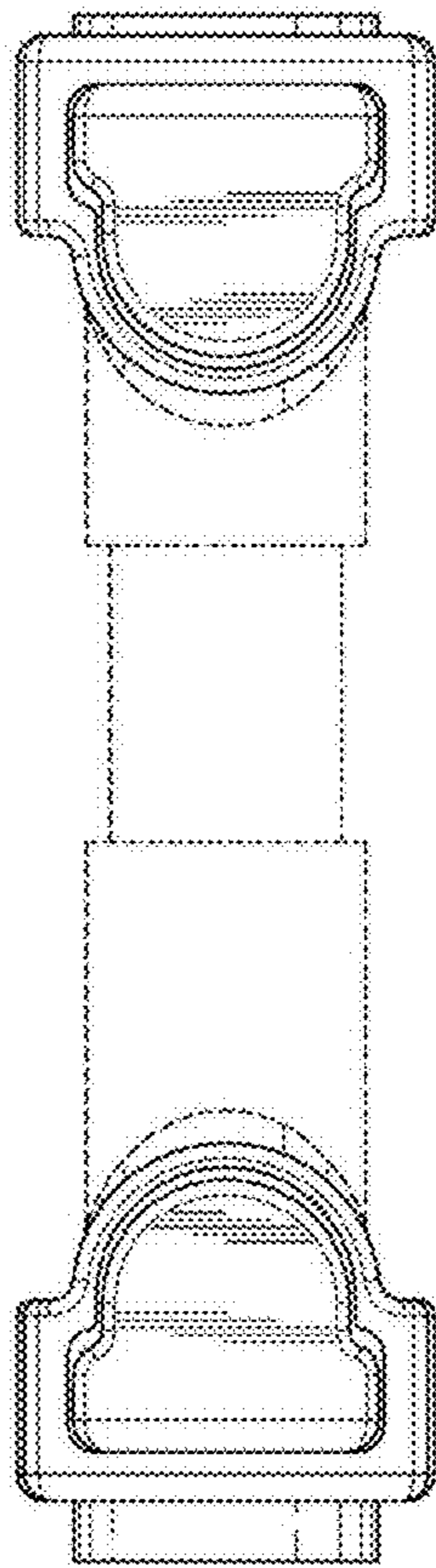


Fig. 9

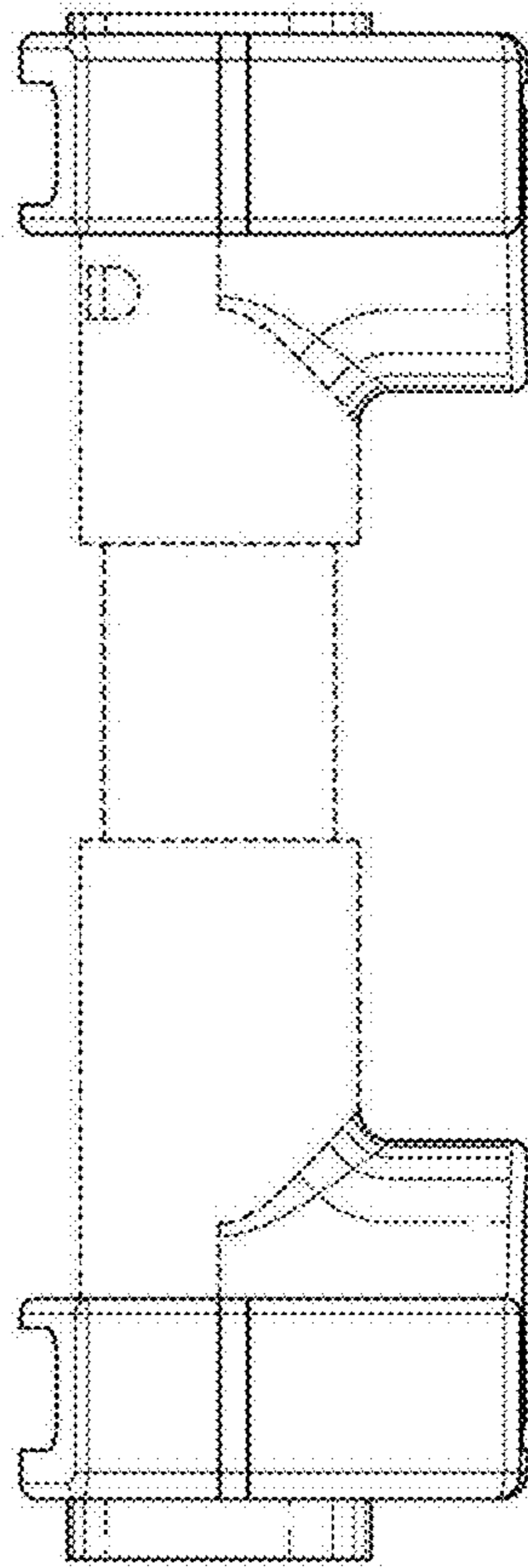


Fig. 10