



US00D801485S

(12) **United States Design Patent** (10) **Patent No.:** **US D801,485 S**  
**Kirar et al.** (45) **Date of Patent:** **\*\* Oct. 31, 2017**

(54) **FAUCET**  
(71) Applicant: **Kohler Co.**, Kohler, WI (US)  
(72) Inventors: **Laura K. Kirar**, Miami Beach, FL (US); **William C. McKeone**, Sheboygan, WI (US)  
(73) Assignee: **KOHLER CO.**, Kohler, WI (US)  
(\*\*) Term: **15 Years**  
(21) Appl. No.: **29/603,622**  
(22) Filed: **May 11, 2017**

D531,267 S 10/2006 Hundley  
D532,866 S 11/2006 Kirar  
D533,924 S 12/2006 Kirar  
D534,251 S \* 12/2006 Barry ..... D23/238  
D564,634 S 3/2008 Kirar  
D570,453 S 6/2008 Tsai  
D575,848 S 8/2008 Kirar  
D581,025 S 11/2008 Schonherr  
D619,872 S 7/2010 Singtoroj  
D666,277 S 8/2012 Schaefer  
8,235,431 B2 8/2012 Williamson  
D678,987 S \* 3/2013 Liao ..... D23/257  
D684,669 S 6/2013 Eilmus  
D685,878 S 7/2013 Fritz  
D714,912 S 10/2014 Barry  
D741,453 S 10/2015 Bahler

(Continued)

**Related U.S. Application Data**

(62) Division of application No. 29/540,140, filed on Sep. 21, 2015, now Pat. No. Des. 787,642.  
(51) **LOC (10) Cl.** ..... **23-01**  
(52) **U.S. Cl.**  
USPC ..... **D23/257**  
(58) **Field of Classification Search**  
USPC ..... D23/238-243, 249, 255, 257  
CPC ..... E03C 1/04; E03C 1/0401; E03C 1/0402;  
E03C 1/0404; F16K 31/602; F16K  
31/605; F16K 31/607  
See application file for complete search history.

**References Cited**

**U.S. PATENT DOCUMENTS**

D255,921 S \* 7/1980 Doman ..... D23/257  
D318,904 S 8/1991 Hartkopf  
D334,230 S 3/1993 Bonnell  
D384,401 S 9/1997 Doughty  
D472,615 S \* 4/2003 Smith ..... D23/238  
D487,305 S \* 3/2004 Ouyoung ..... D23/238  
D517,174 S \* 3/2006 Singtoroj ..... D23/252  
D522,102 S 5/2006 Fritz  
D524,140 S 7/2006 Kirar

*Primary Examiner* — Robert Delehanty

(74) *Attorney, Agent, or Firm* — Foley & Lardner LLP

(57) **CLAIM**

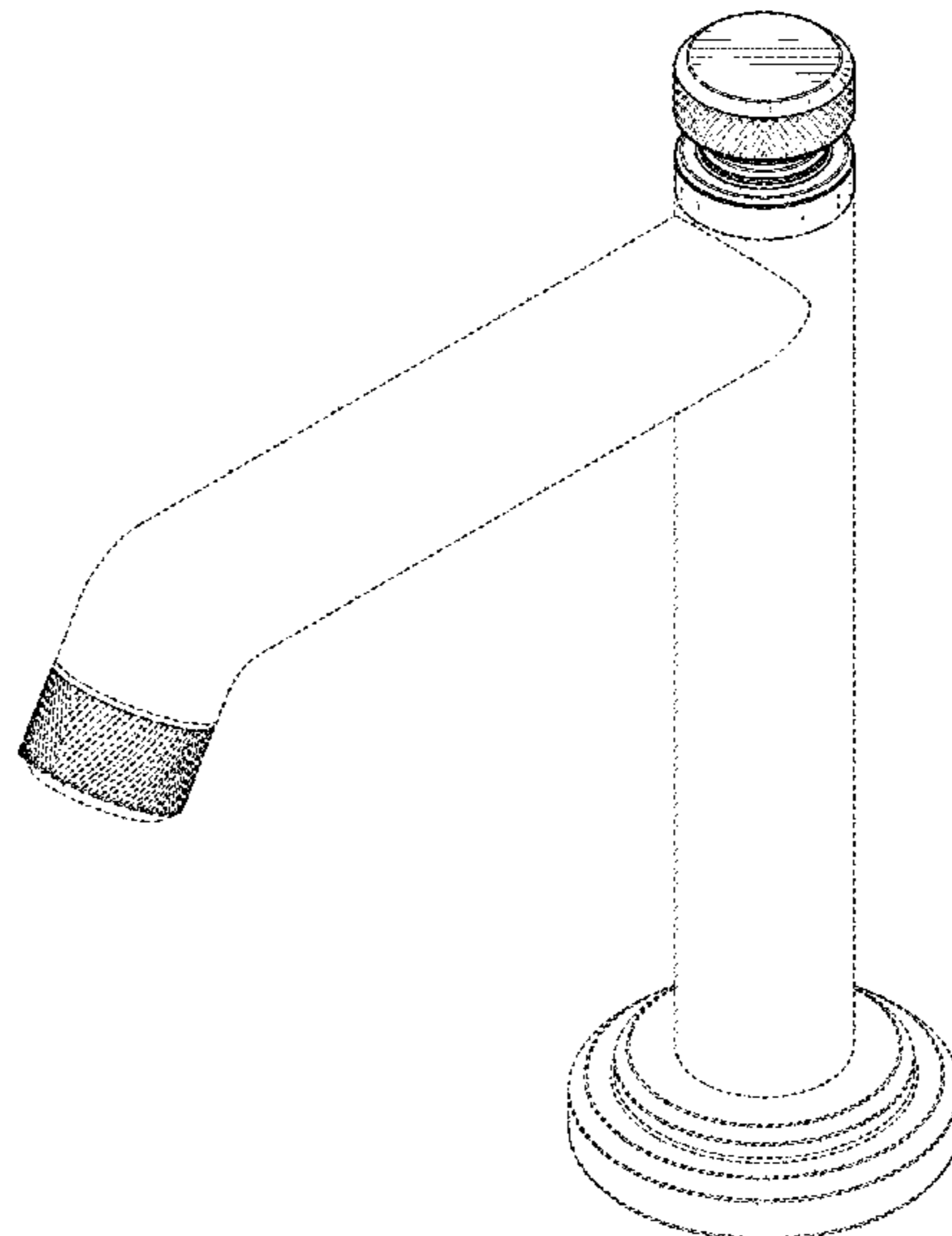
We claim the ornamental design for a faucet, as shown and described.

**DESCRIPTION**

FIG. 1 is a perspective view of an embodiment of the claimed design;  
FIG. 2 is a front view thereof;  
FIG. 3 is a rear view thereof;  
FIG. 4 is a side view thereof  
FIG. 5 is a top view thereof; and,  
FIG. 6 is a bottom view thereof.

The ornamental design which is claimed is shown in solid lines in the drawings. The broken lines in the drawings form no part of the claimed design. Broken lines formed by equal length dashes show unclaimed subject matter. Broken lines formed by unequal length dashes (i.e., dash-dot) define bounds of the claimed design. Broken away symbols having a jagged element show that no particular length of the portion is claimed.

**1 Claim, 6 Drawing Sheets**



(56)

**References Cited**

U.S. PATENT DOCUMENTS

D754,827 S \* 4/2016 Byron ..... D23/257  
D767,102 S \* 9/2016 Schoenherr ..... D23/257  
D787,645 S \* 5/2017 Kirar ..... D23/257

\* cited by examiner

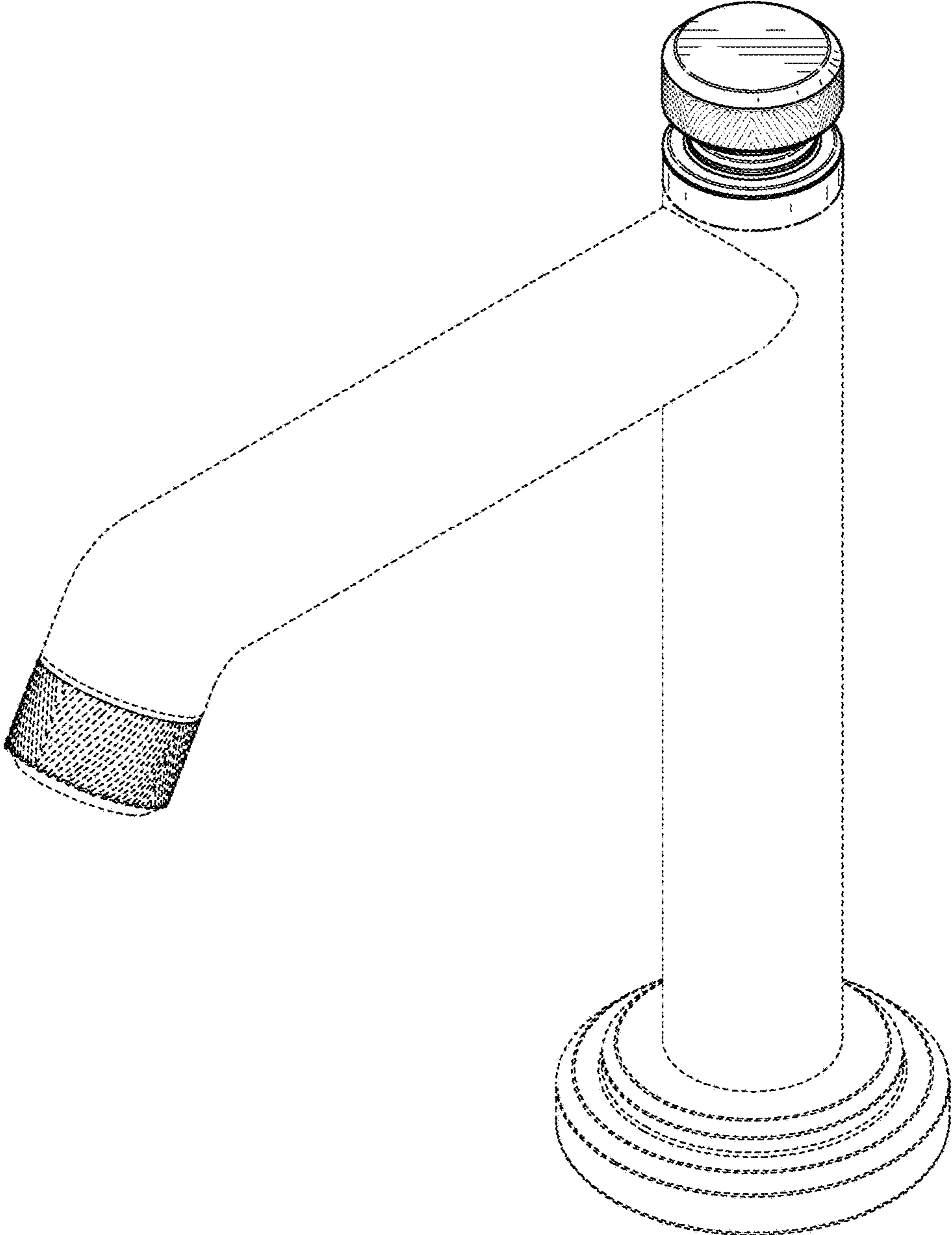


FIG. 1

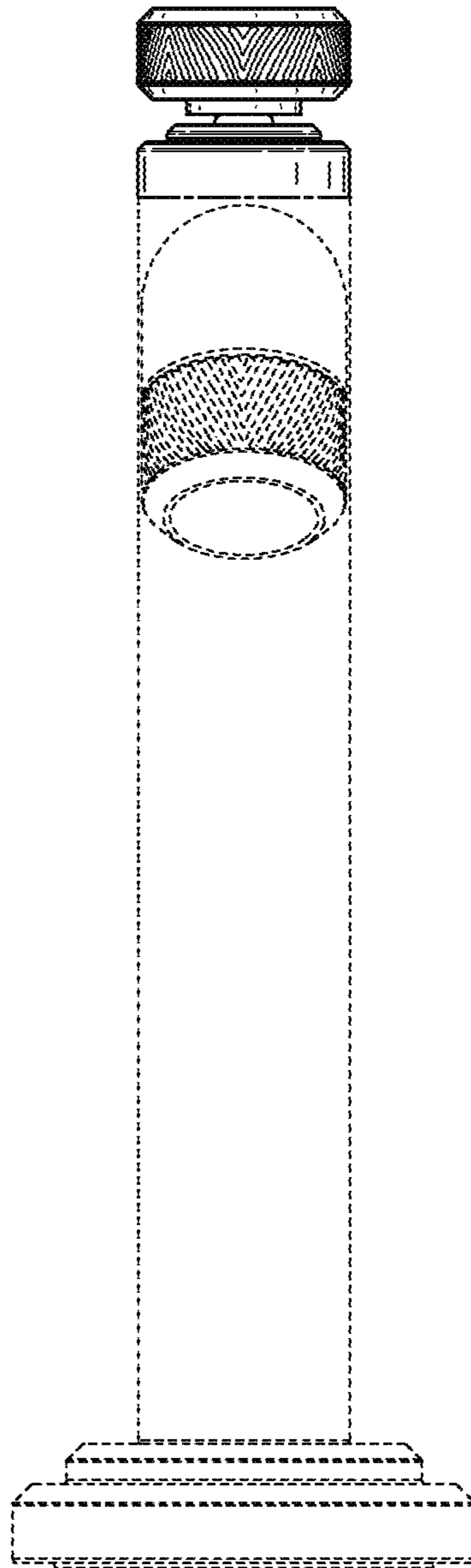


FIG. 2

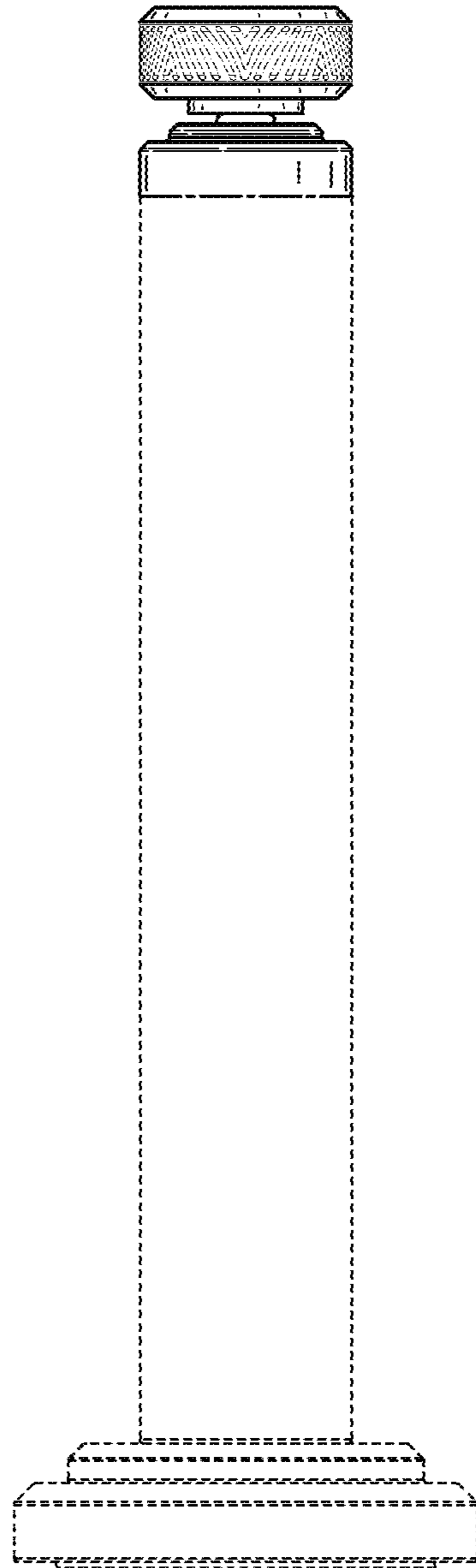


FIG. 3

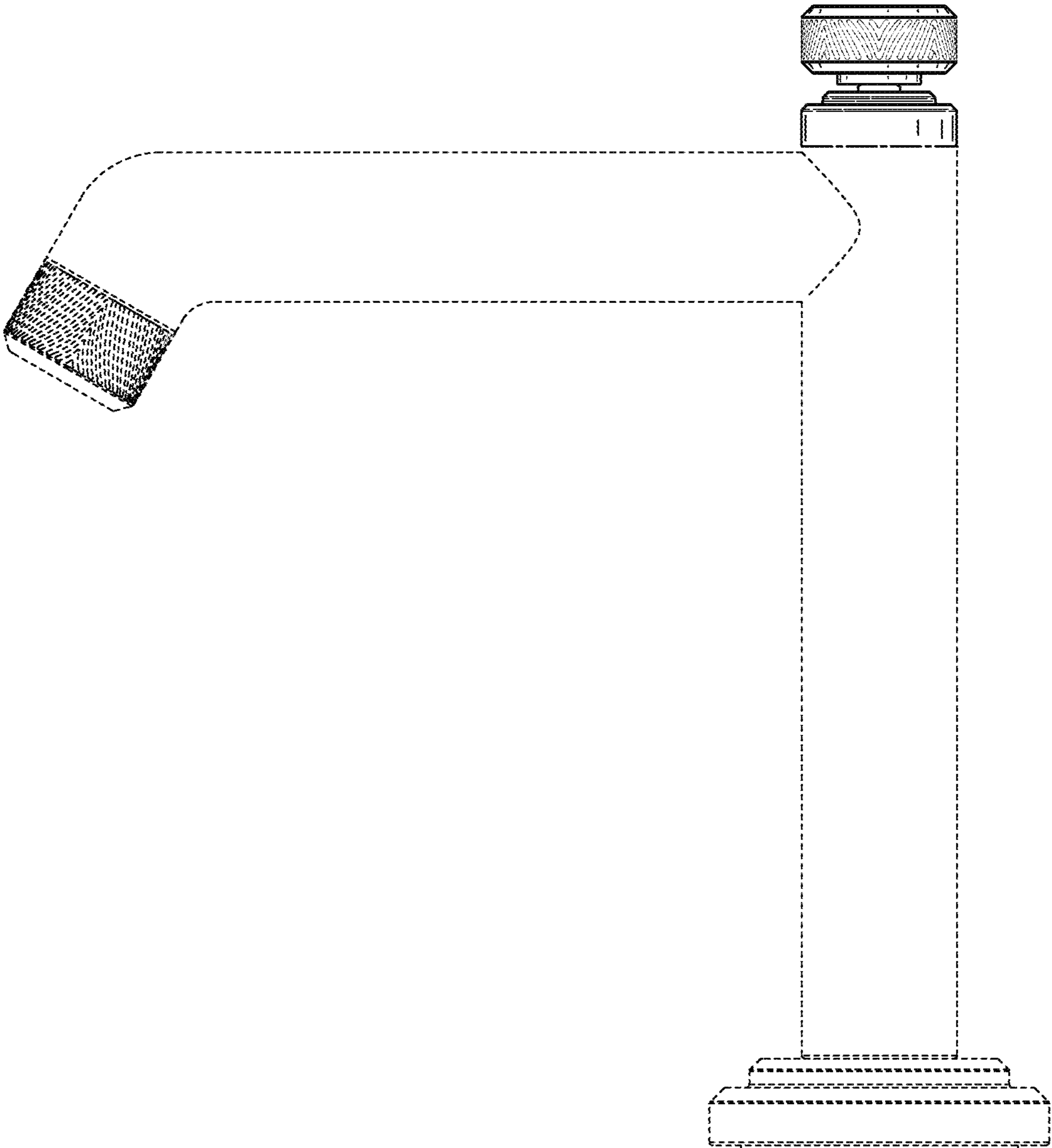


FIG. 4

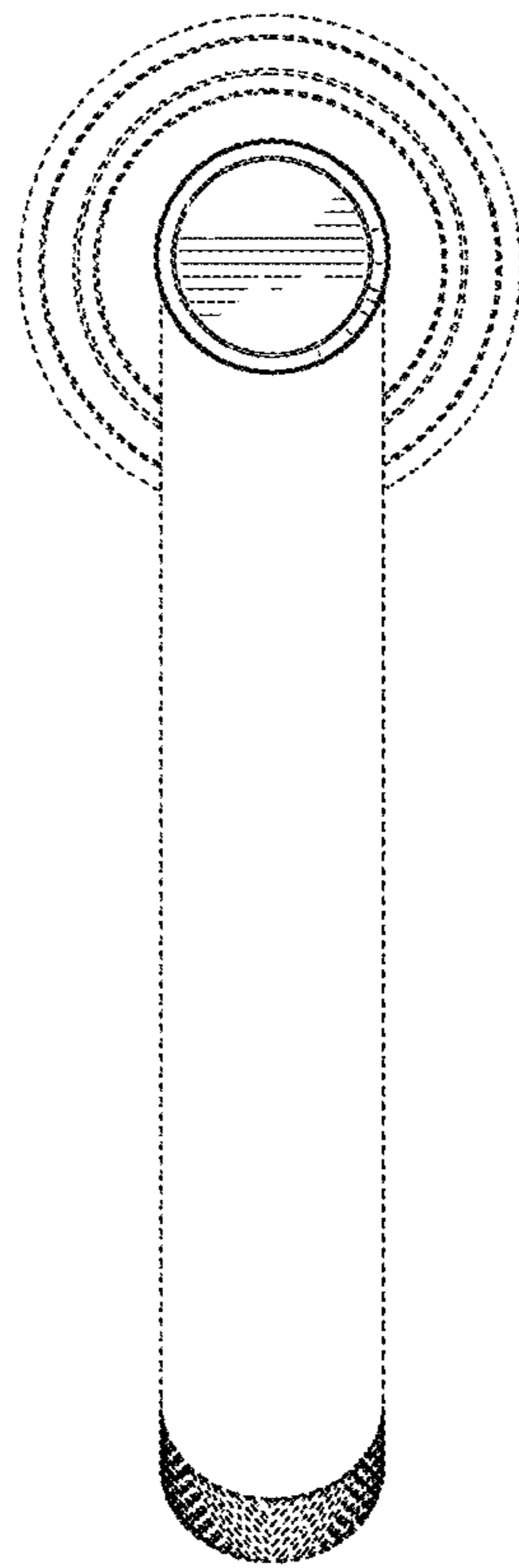


FIG. 5

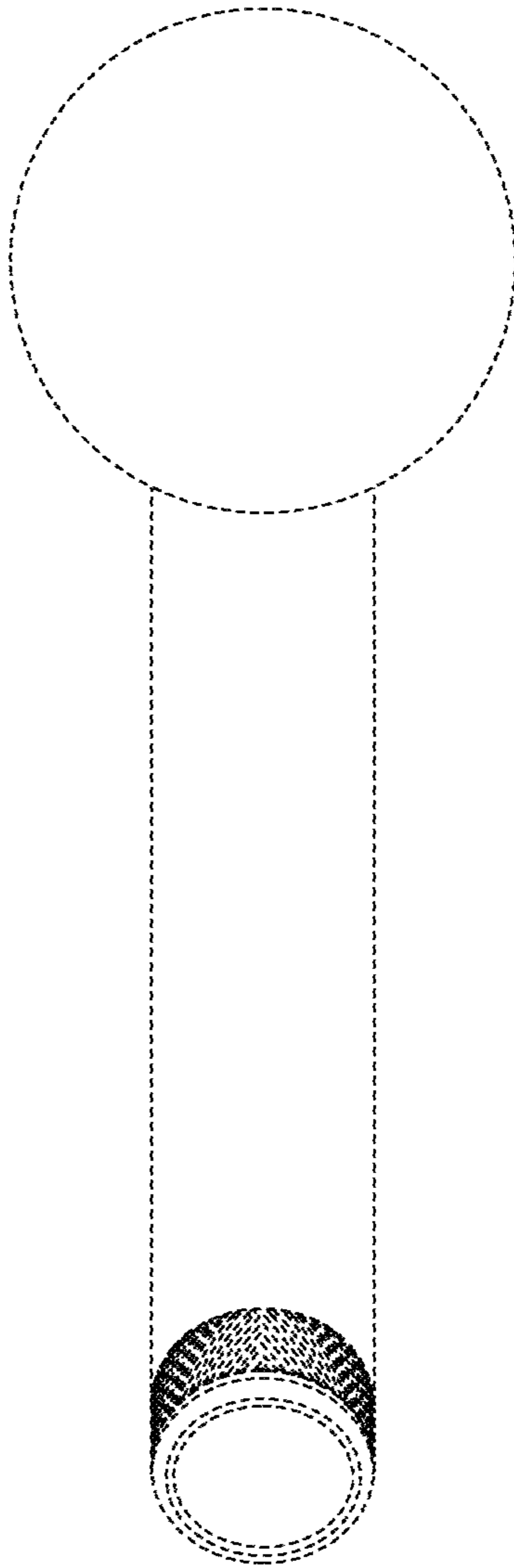


FIG. 6