



US00D801484S

(12) **United States Design Patent**  
**Kaspers**

(10) **Patent No.:** **US D801,484 S**

(45) **Date of Patent:** **\*\* Oct. 31, 2017**

(54) **VALVE HOUSING**

(71) Applicant: **ARCA REGLER GMBH**, Tönisvorst (DE)

(72) Inventor: **Rüdiger Kaspers**, Tönisvorst (DE)

(\*\*) Term: **15 Years**

(21) Appl. No.: **35/501,381**

(22) Filed: **Jun. 10, 2016**

(80) **Hague Agreement Data**

Int. Filing Date: **Jun. 10, 2016**

Int. Reg. No.: **DM/091921**

Int. Reg. Date: **Jun. 10, 2016**

Int. Reg. Pub. Date: **Aug. 5, 2016**

(51) **LOC (10) Cl.** ..... **23-01**

(52) **U.S. Cl.**  
USPC ..... **D23/248**

(58) **Field of Classification Search**  
USPC ..... D23/259, 262–263, 266  
CPC .. Y10T 29/49826; Y10T 428/139; F16L 9/02;  
F16L 9/14  
See application file for complete search history.

(56) **References Cited**

**U.S. PATENT DOCUMENTS**

4,397,331 A \* 8/1983 Medlar ..... F16K 47/02  
137/375  
5,226,444 A \* 7/1993 Nagpal ..... E21B 43/00  
137/488

6,672,826 B2 \* 1/2004 LeDuc ..... F04D 27/0215  
415/159  
6,705,339 B2 \* 3/2004 Colton, Sr. .... E03B 5/00  
137/115.18  
7,302,961 B2 \* 12/2007 Martin ..... F16K 17/02  
137/14  
8,393,355 B2 \* 3/2013 Samy ..... F16K 3/267  
137/625.3  
9,587,764 B2 \* 3/2017 Juhnke ..... F16K 3/34

\* cited by examiner

*Primary Examiner* — Michael A Pratt

(57) **CLAIM**

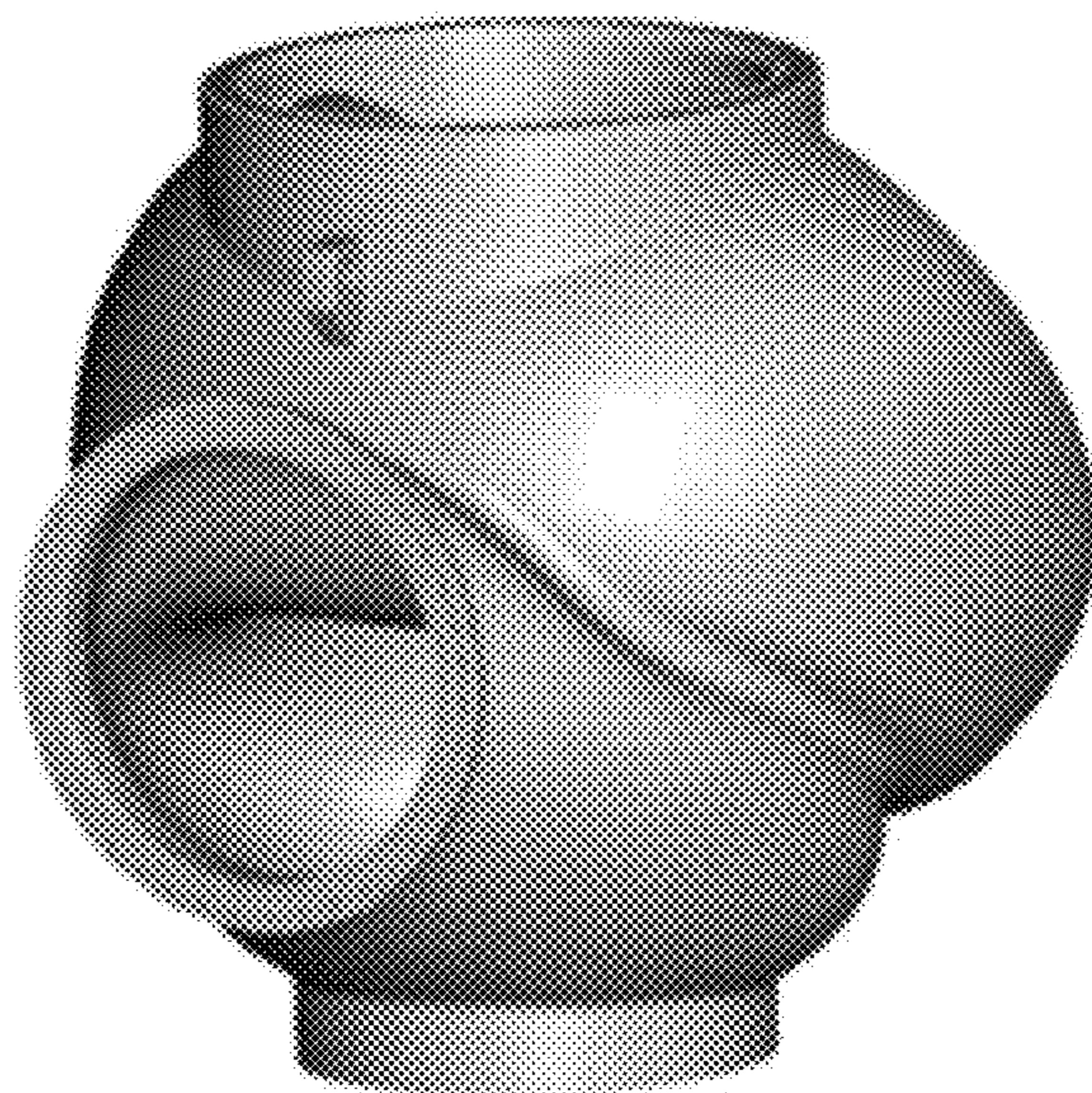
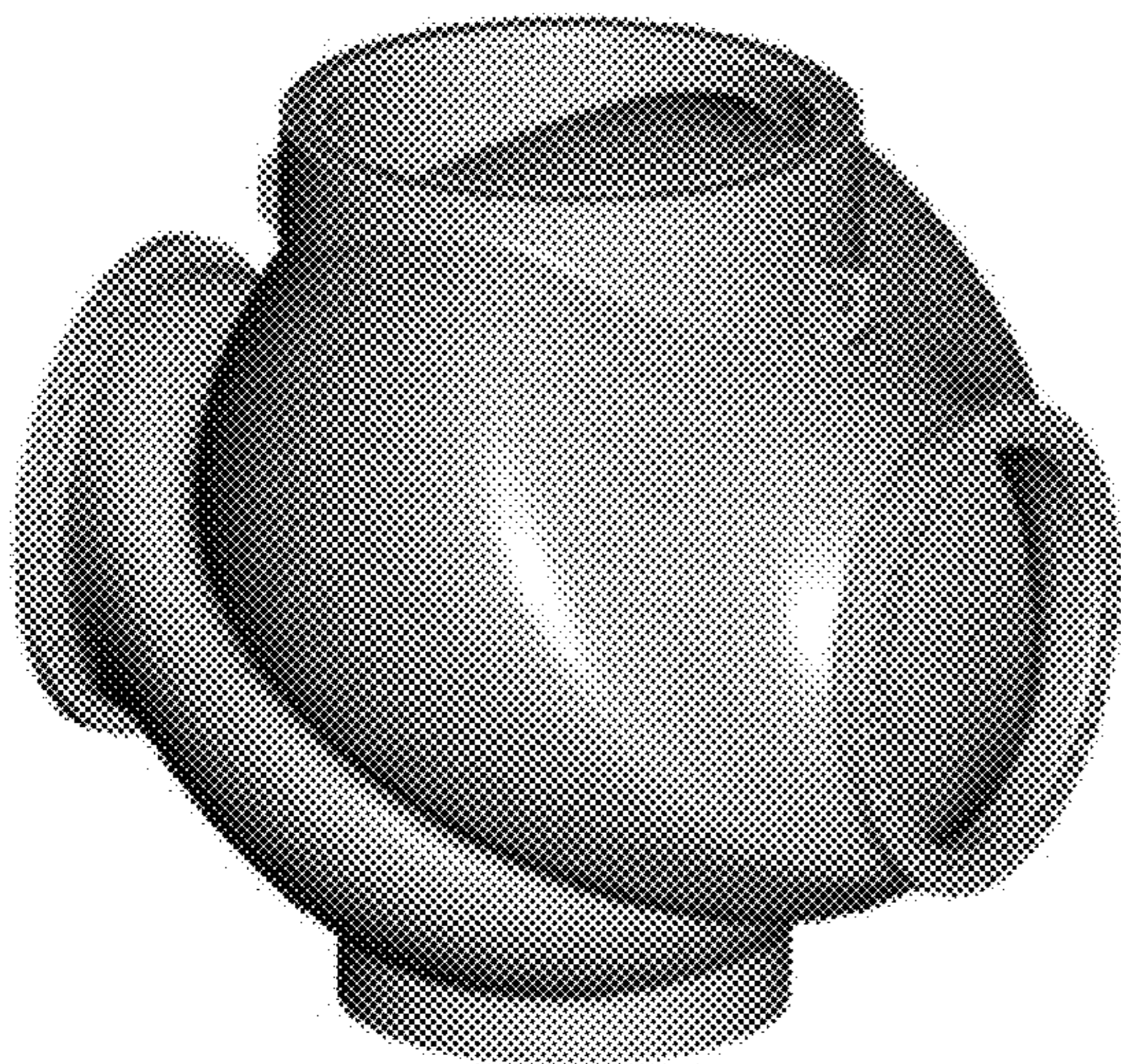
The ornamental design for a valve housing, as shown and described.

**DESCRIPTION**

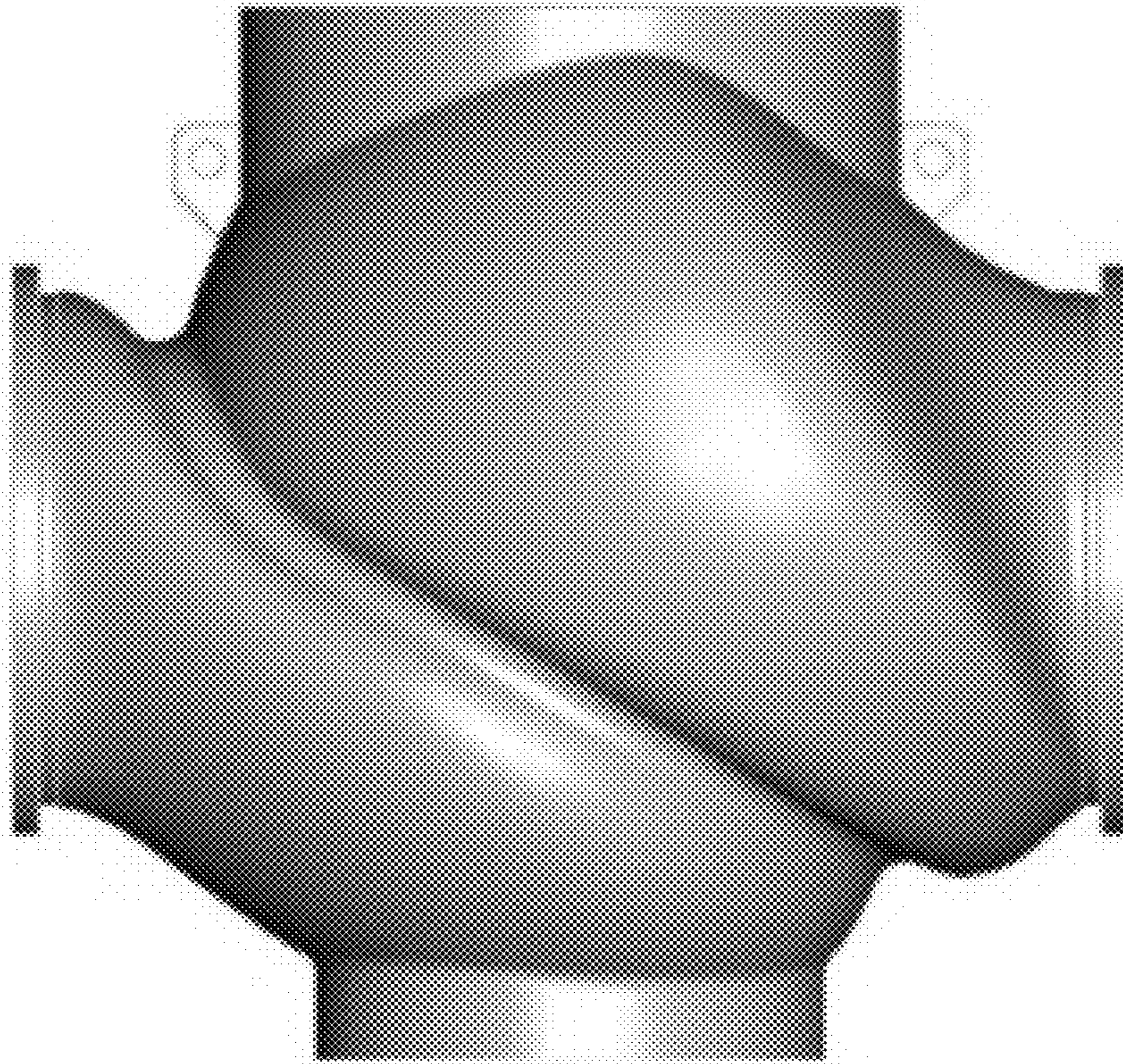
- 1. Valve housing
- 1.1 : Front
- 1.2 : Perspective
- 1.3 : Perspective
- 1.4 : Right
- 1.5 : Top
- 1.6 : Bottom

Figure 1.1: front view; figure 1.2: right side perspective view; figure 1.3: left side perspective view; figure 1.4: right side view; figure 1.5: top view; figure 1.6 bottom view.

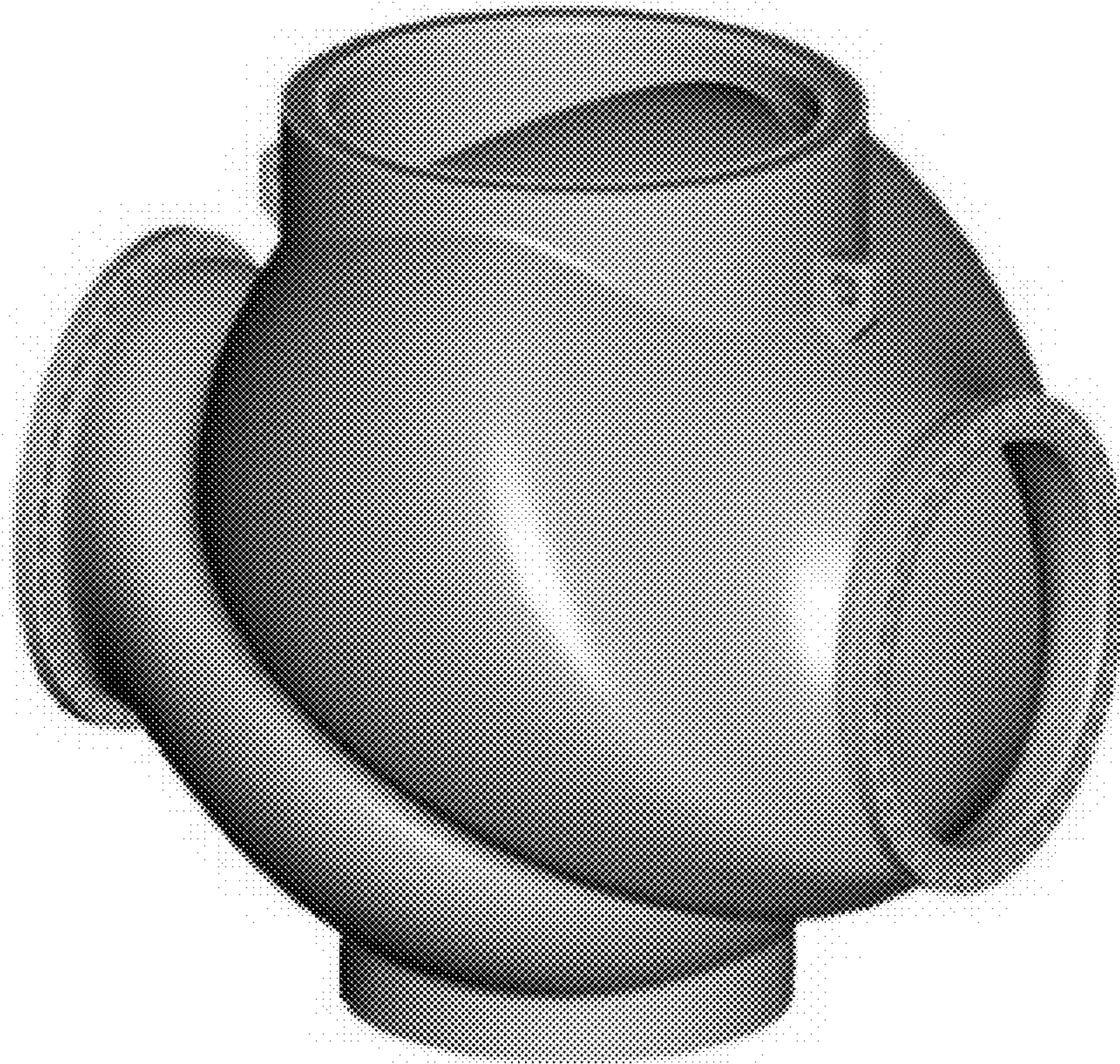
**1 Claim, 6 Drawing Sheets**



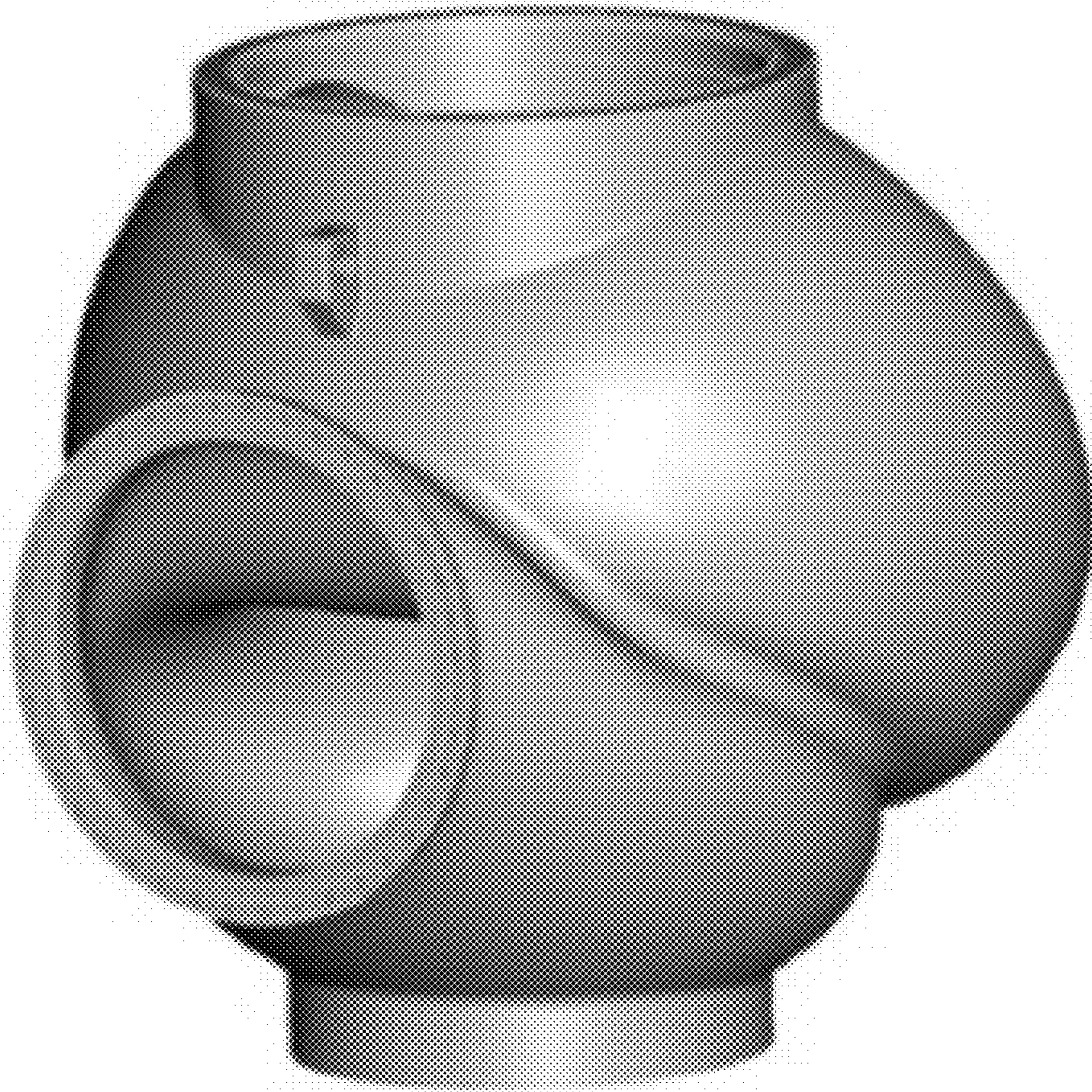
**1.1**



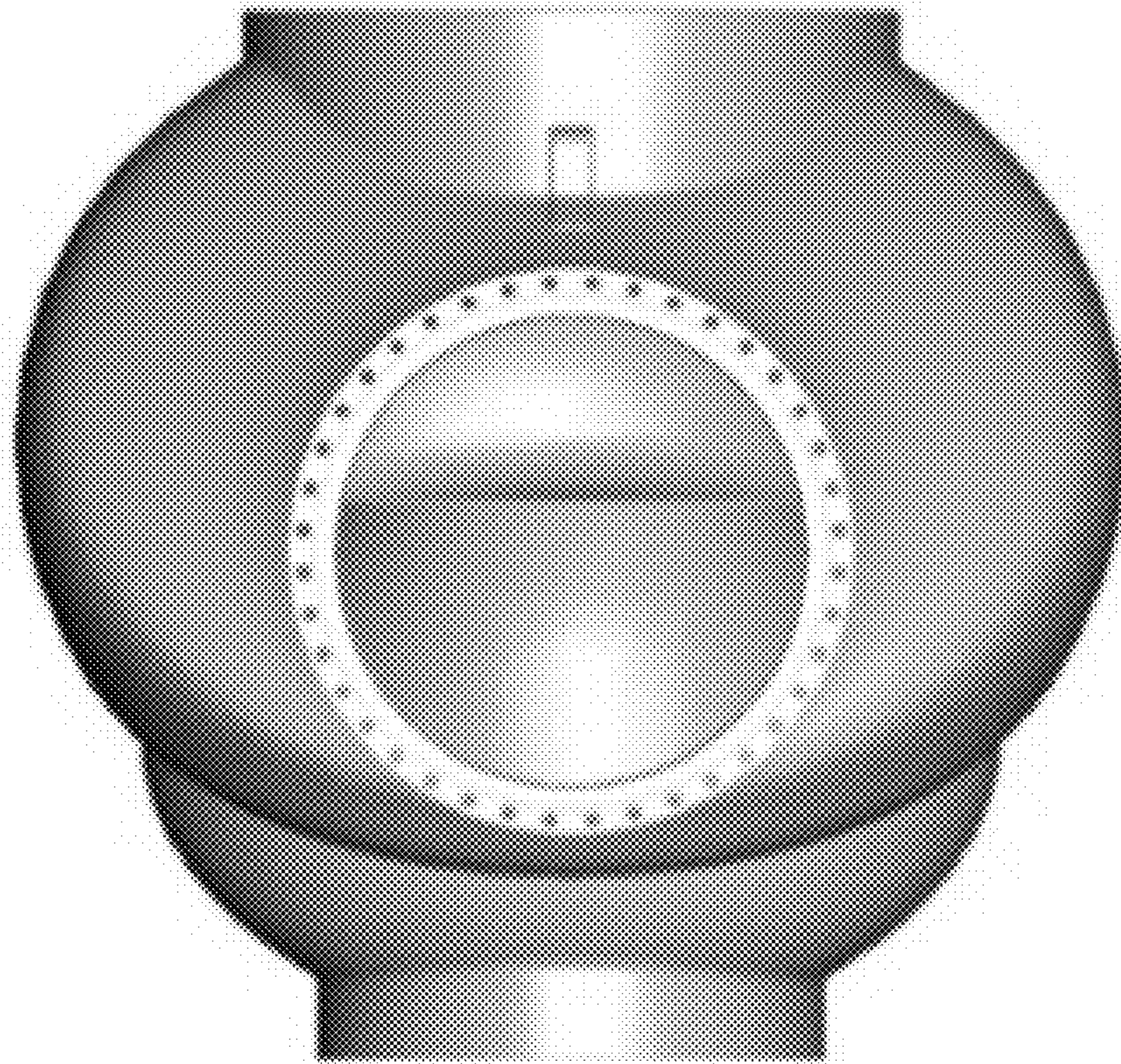
**1.2**



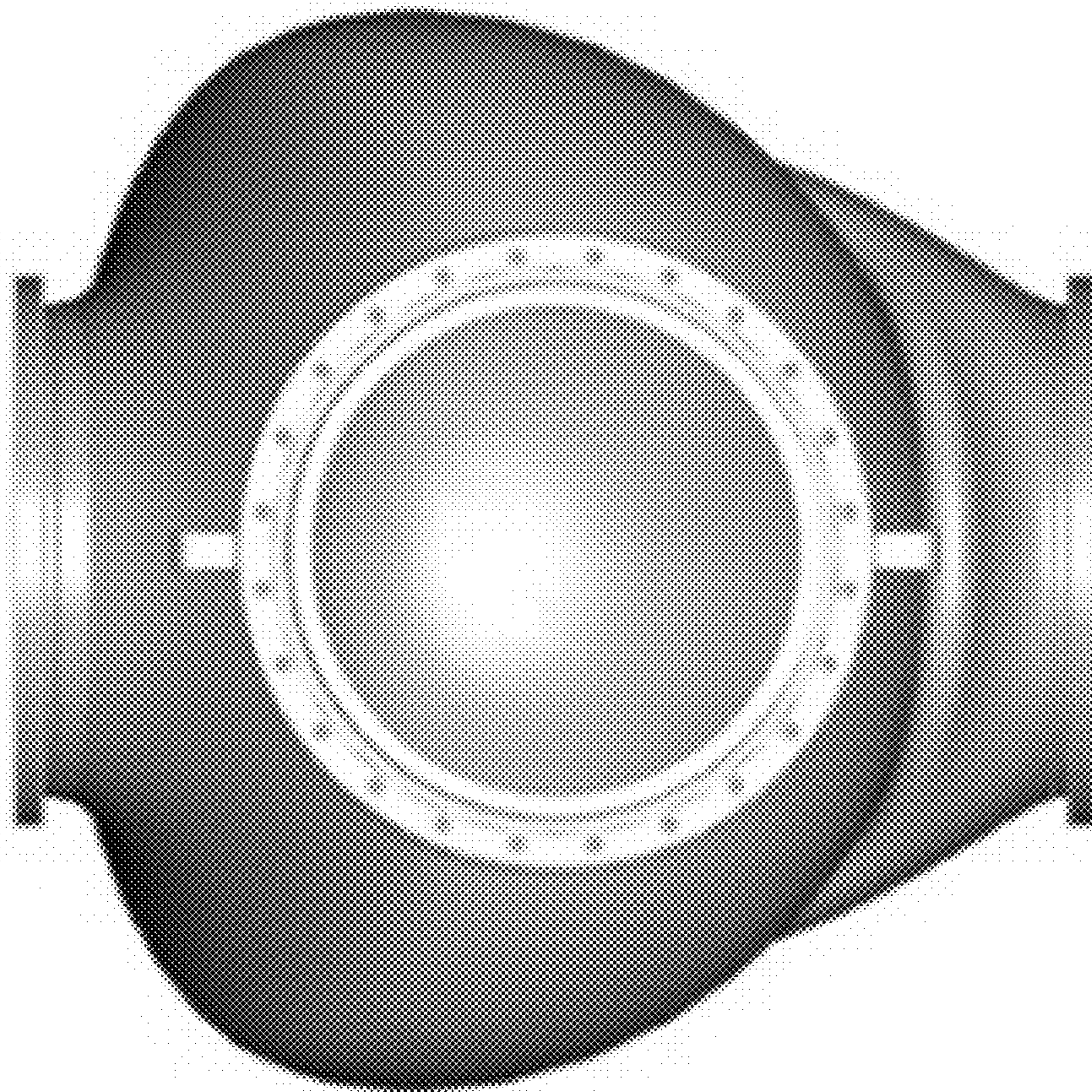
**1.3**



**1.4**



**1.5**



**1.6**

