



US00D801482S

(12) **United States Design Patent** (10) **Patent No.:** **US D801,482 S**
Antoine (45) **Date of Patent:** **** Oct. 31, 2017**

(54) **FAUCET**

(56) **References Cited**

(71) Applicant: **LUXEMBOURG PATENT COMPANY S.A.**, Lintgen (LU)

U.S. PATENT DOCUMENTS

(72) Inventor: **Michel Antoine**, Lintgen (LU)

D309,175 S *	7/1990	Hastings	D23/245
D674,469 S *	1/2013	Boyer	D23/235
D678,981 S *	3/2013	Shengyong	D23/233
D686,696 S *	7/2013	Lai	D23/233
D686,699 S *	7/2013	Evans, Jr.	D23/233
D690,800 S *	10/2013	Ren	D23/233
D698,010 S *	1/2014	Boyer	D23/235
D700,286 S *	2/2014	Okitsu	D23/235
D716,912 S *	11/2014	Lee	D23/233
D760,871 S *	7/2016	Boyer	D23/233

(73) Assignee: **LUXEMBOURG PATENT COMPANY S.A.**, Lintgen (LU)

(**) Term: **15 Years**

* cited by examiner

(21) Appl. No.: **35/500,753**

(22) Filed: **Dec. 7, 2015**

Primary Examiner — Keli L Hill

(80) **Hague Agreement Data**

Int. Filing Date: **Dec. 7, 2015**
Int. Reg. No.: **DM/089726**
Int. Reg. Date: **Dec. 7, 2015**
Int. Reg. Pub. Date: **Mar. 25, 2016**

(74) *Attorney, Agent, or Firm* — Greenblum & Bernstein, P.L.C.

(57) **CLAIM**

I claim the ornamental design for faucet, as shown and described.

(30) **Foreign Application Priority Data**

Jun. 12, 2015 (BX) 85925-01-17

DESCRIPTION

(51) **LOC (10) Cl.** **23-01**

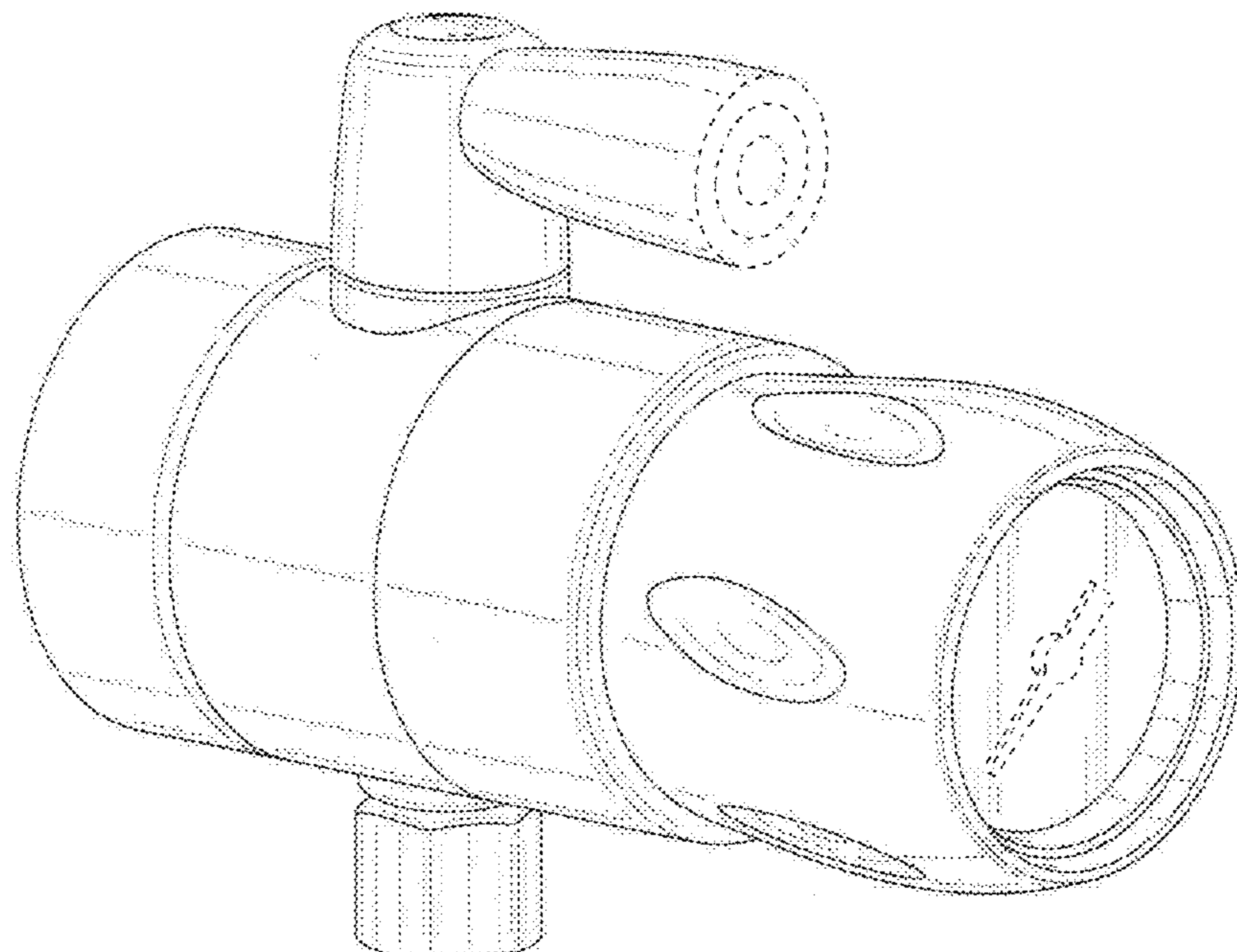
(52) **U.S. Cl.**
USPC **D23/238**

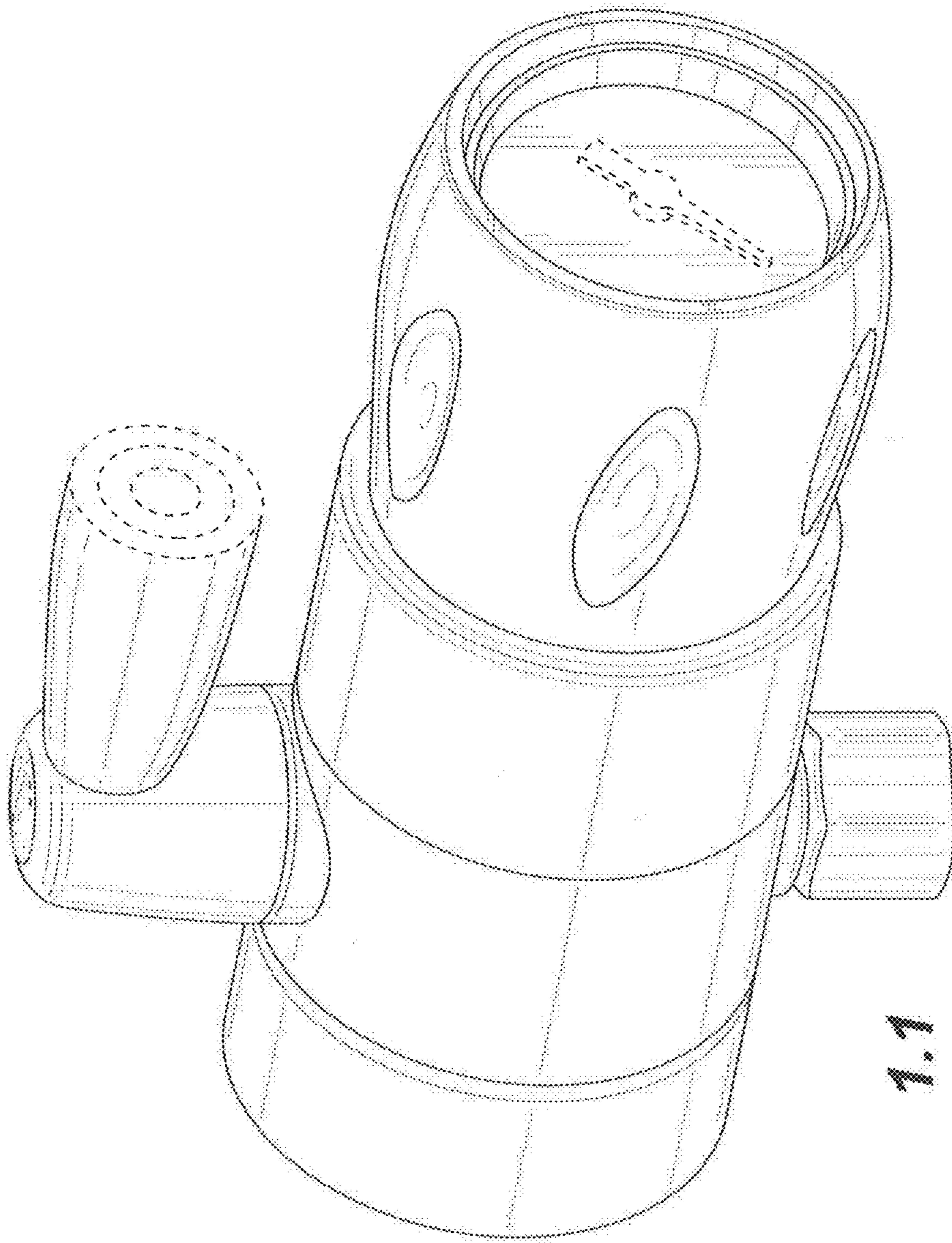
(58) **Field of Classification Search**
USPC D23/233, 238, 239, 241–243, 245,
D23/248–250, 255, 257; 261/DIG. 22;
239/428.5, 437
CPC E03C 1/04; E03C 1/0401; E03C 1/0402;
E03C 1/0404

1. Faucet
1.1 shows a top, front, left side perspective view;
1.2 shows a top side view of 1.1;
1.3 shows a left side view of 1.1; and
1.4 shows a front side view of 1.1.
The broken lines shown are included for the purpose of illustrating portions of the faucet that form no part of the claim.

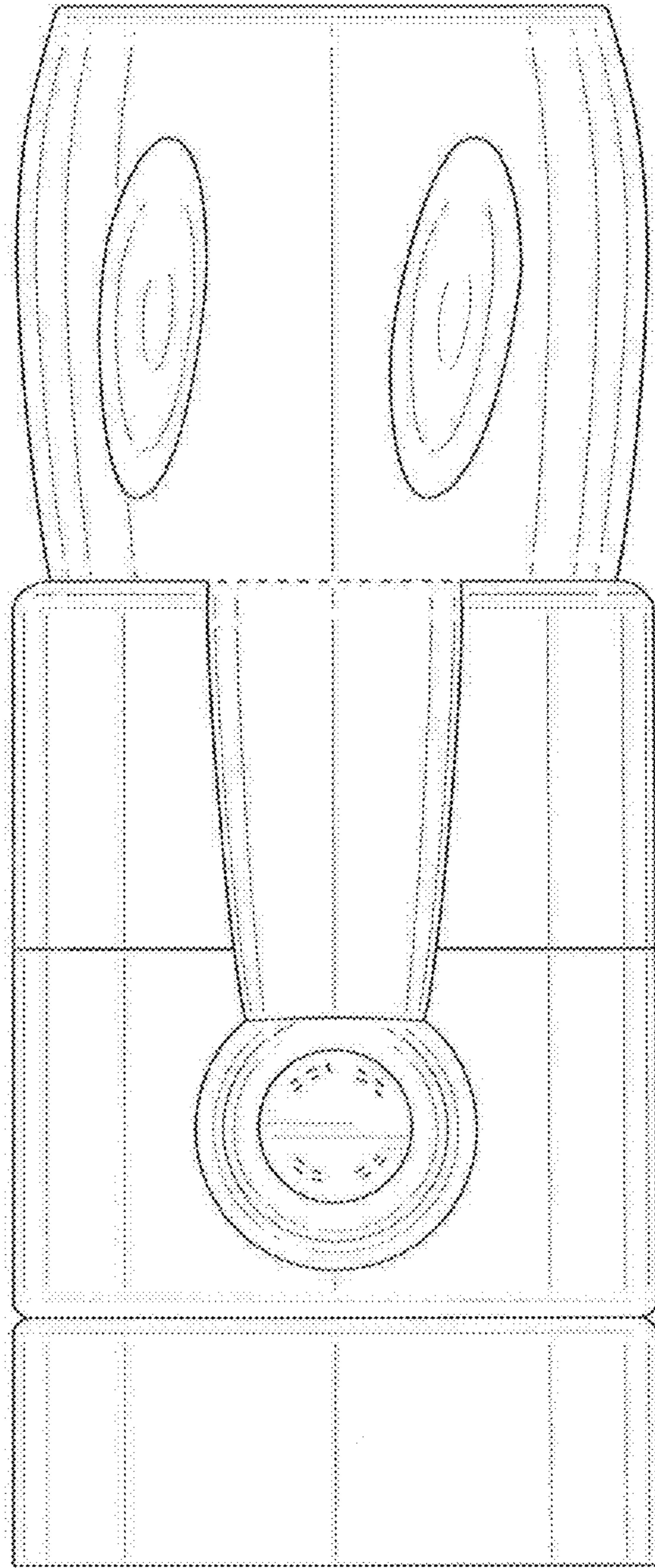
See application file for complete search history.

1 Claim, 4 Drawing Sheets





1.1



1.2

