



US00D801481S

(12) **United States Design Patent** (10) **Patent No.:** **US D801,481 S**
Ueno et al. (45) **Date of Patent:** **** Oct. 31, 2017**

- (54) **FLOW CONTROL VALVE**
- (71) Applicant: **SMC CORPORATION**, Tokyo (JP)
- (72) Inventors: **Tomokazu Ueno**, Tsukubamirai (JP);
Shinichi Ito, Toride (JP)
- (73) Assignee: **SMC Corporation**, Tokyo (JP)
- (**) Term: **15 Years**
- (21) Appl. No.: **29/598,808**
- (22) Filed: **Mar. 29, 2017**

- D668,321 S 10/2012 Senba
- D693,431 S 11/2013 Tamura et al.
- D698,418 S 1/2014 Narita
- D698,899 S 2/2014 Narita
- D698,900 S 2/2014 Narita
- D720,044 S 12/2014 Enzaki
- D736,892 S 8/2015 Iwamoto et al.
- D785,756 S * 5/2017 Ueno D23/235

FOREIGN PATENT DOCUMENTS

- JP D1326867 S 4/2008
- JP D1327368 S 4/2008

* cited by examiner

Primary Examiner — Cynthia Ramirez
Assistant Examiner — Gino Colan

(74) *Attorney, Agent, or Firm* — Birch, Stewart, Kolasch & Birch, LLP

Related U.S. Application Data

- (62) Division of application No. 29/515,553, filed on Jan. 23, 2015, now Pat. No. Des. 785,756.
- (51) **LOC (10) Cl.** **23-01**
- (52) **U.S. Cl.**
USPC **D23/235**
- (58) **Field of Classification Search**
USPC D23/233–250; 137/301, 315.18, 486,
137/487.5, 599.05, 601.15, 554, 630.12;
251/129.15, 129.01, 129.11, 62, 327, 213,
251/324
CPC .. F16K 31/0675; F16K 31/082; F16K 3/0254;
F16K 31/1221; F16K 31/084; F16K 3/16;
F16K 31/0668
See application file for complete search history.

(57) **CLAIM**

The ornamental design for a flow control valve, as shown and described.

DESCRIPTION

FIG. 1 is a top, front and left-side perspective view of a flow control valve showing our new design; FIG. 2 is a bottom, rear and left-side perspective view thereof; FIG. 3 is a front view thereof; FIG. 4 is a rear view thereof; FIG. 5 is a top plan view thereof; FIG. 6 is a bottom plan view thereof; FIG. 7 is a left side view thereof; and, FIG. 8 is a right side view thereof.

The broken lines shown in the figures are included for the purpose of illustrating portions of the flow control valve and form no part of the claimed design.

(56) **References Cited**
U.S. PATENT DOCUMENTS

- D563,516 S 3/2008 Mita et al.
- D603,015 S 10/2009 Matsumura
- D603,016 S 10/2009 Matsumura
- D607,539 S 1/2010 Matsumoto
- D639,393 S 6/2011 Hayashi

1 Claim, 8 Drawing Sheets

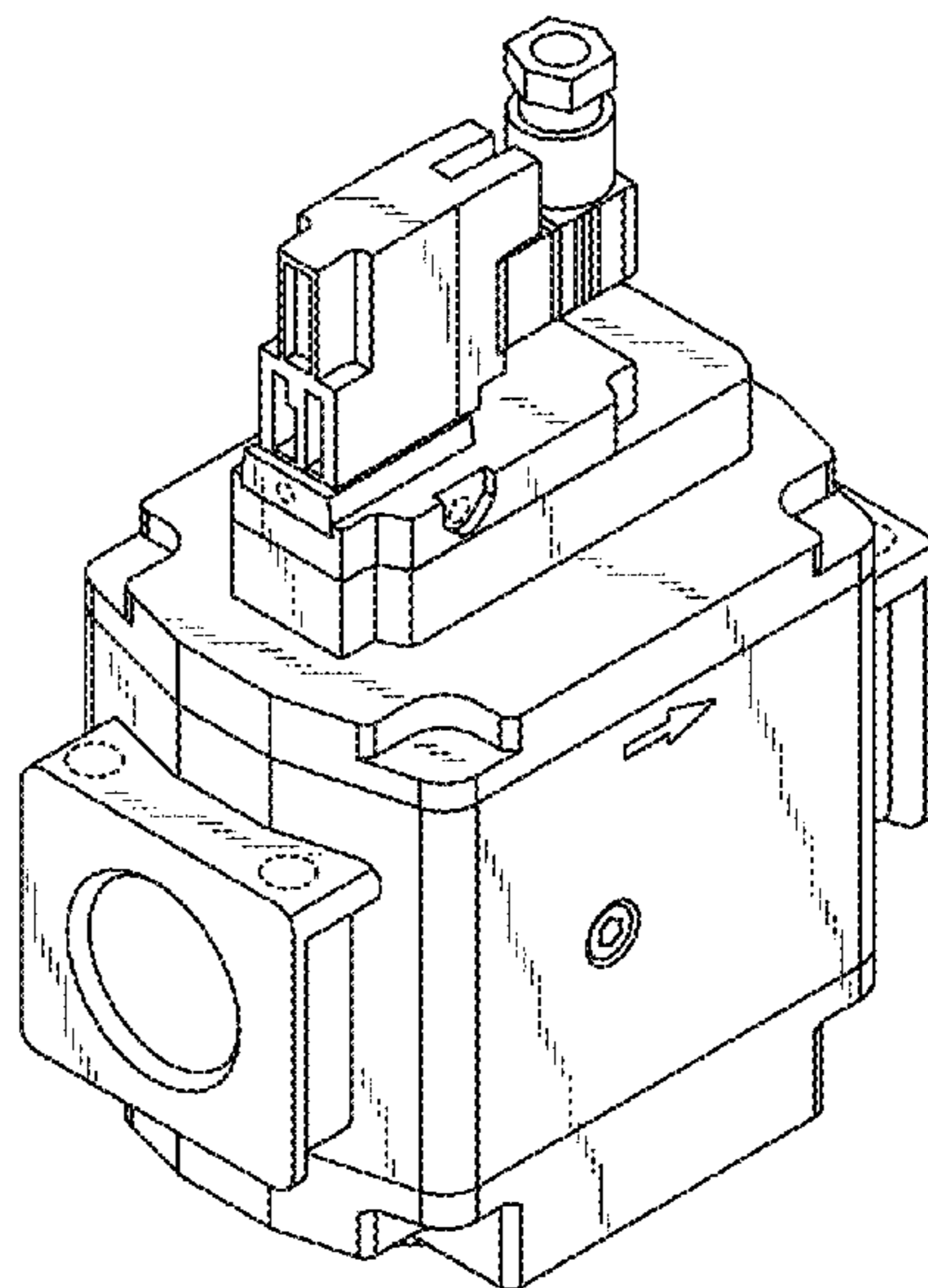


FIG. 1

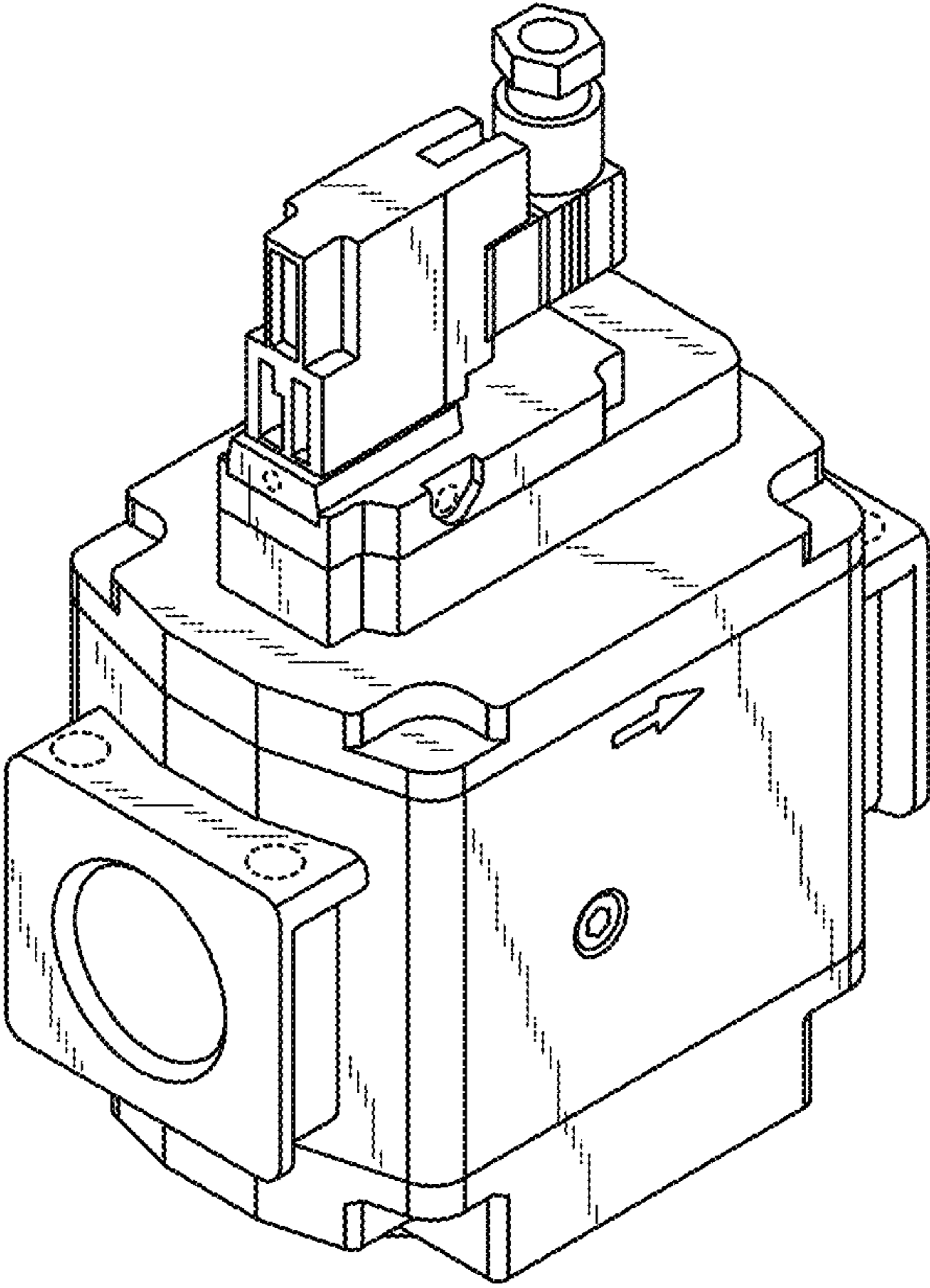


FIG. 2

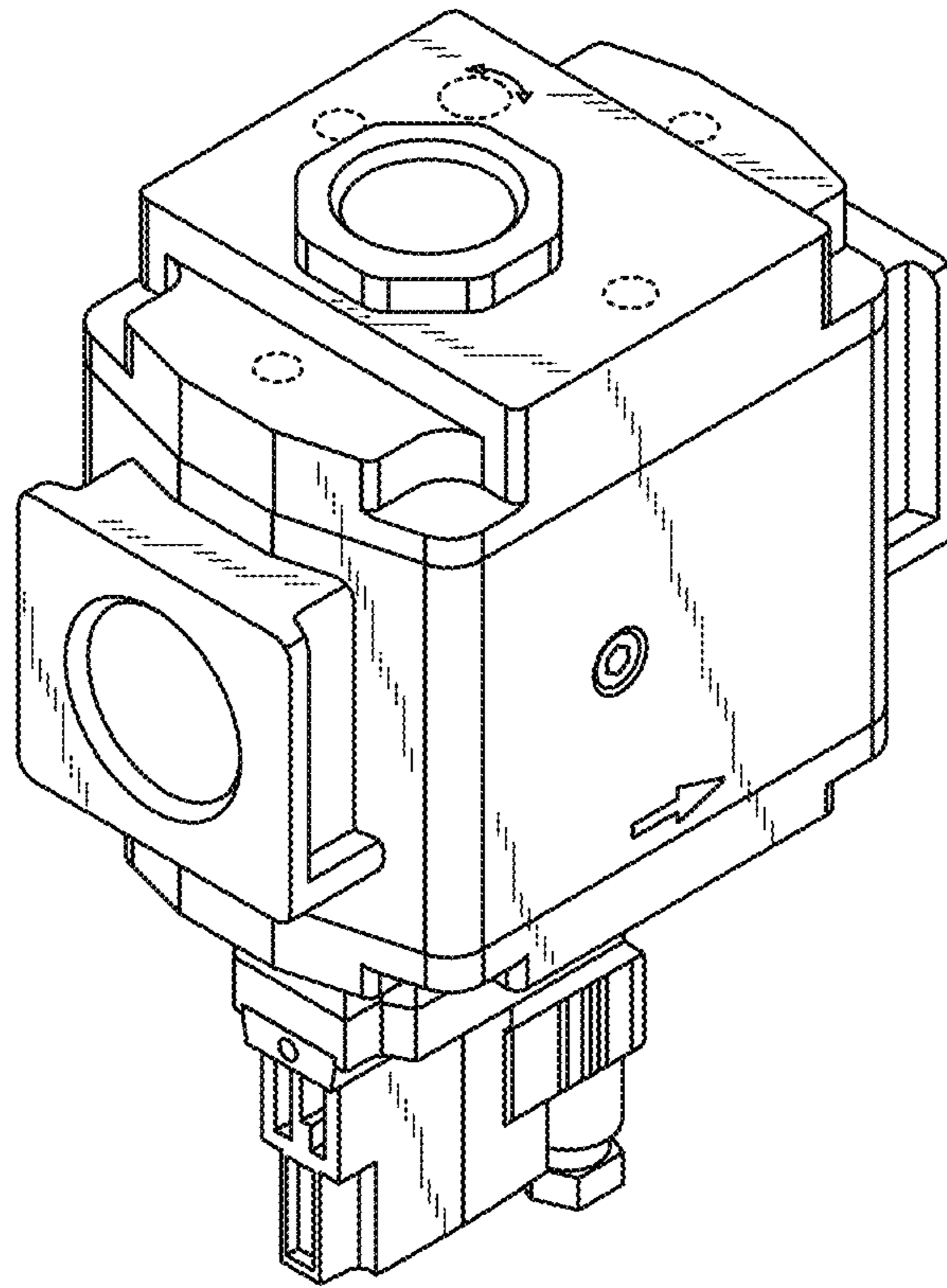


FIG. 3

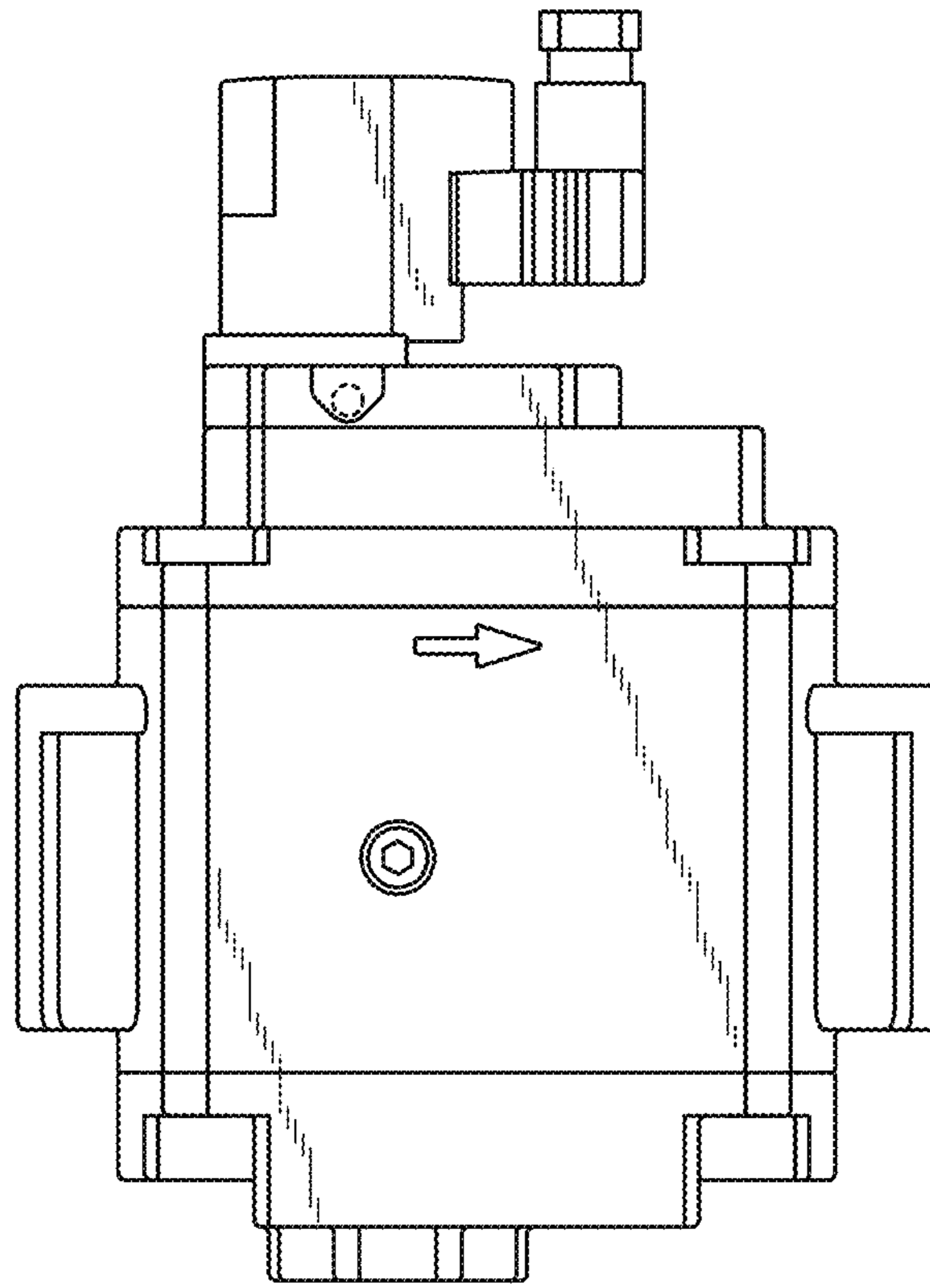


FIG. 4

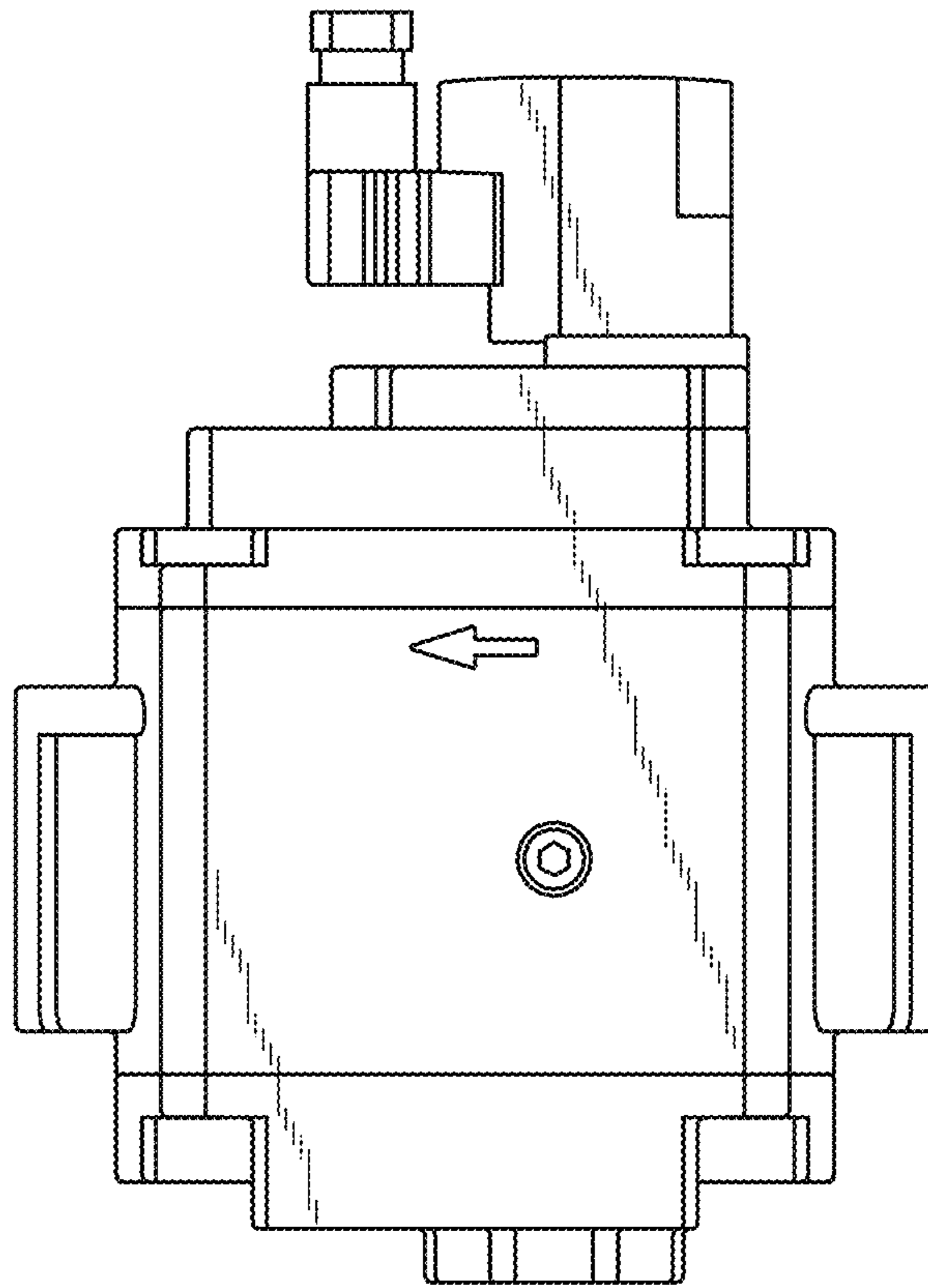


FIG. 5

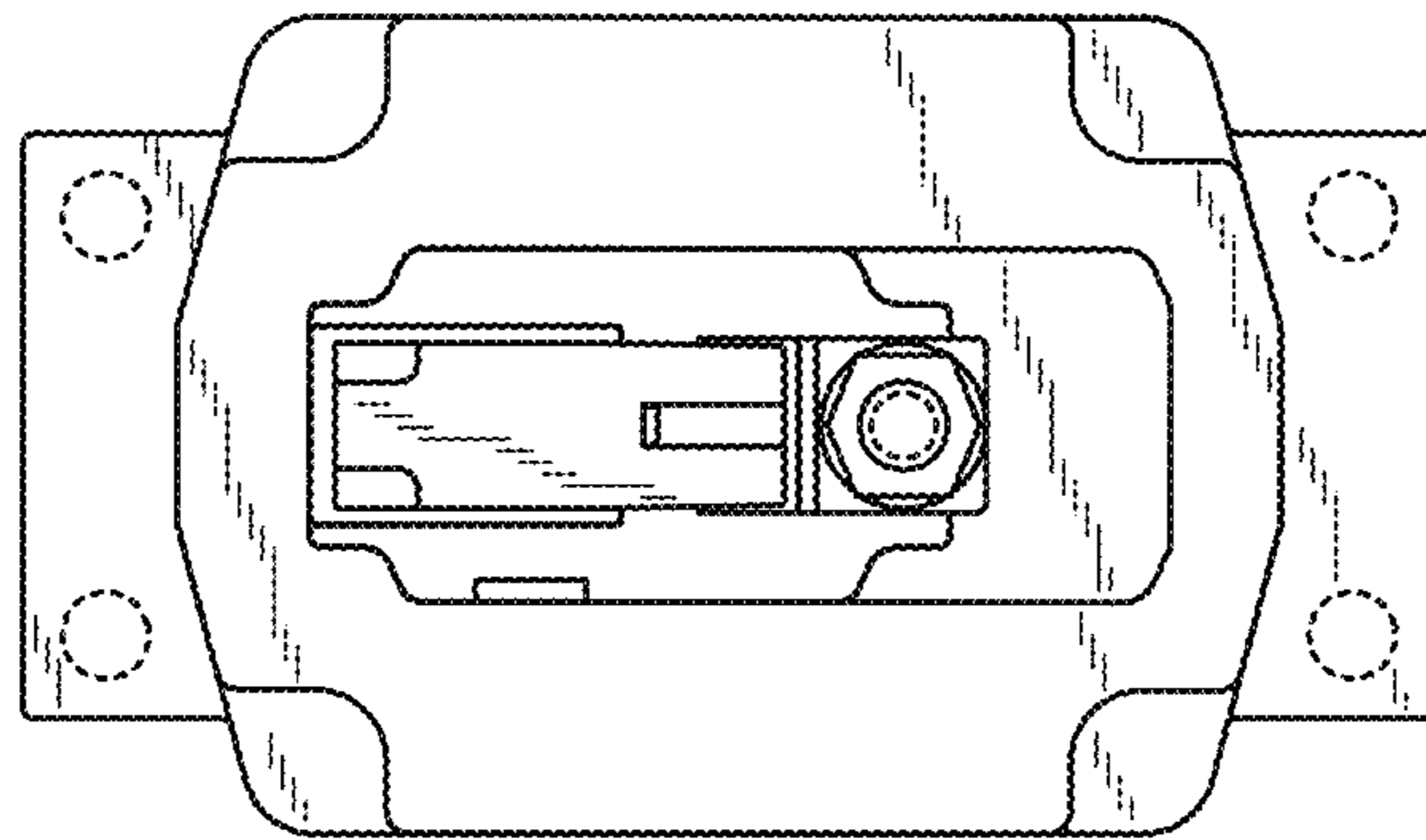


FIG. 6

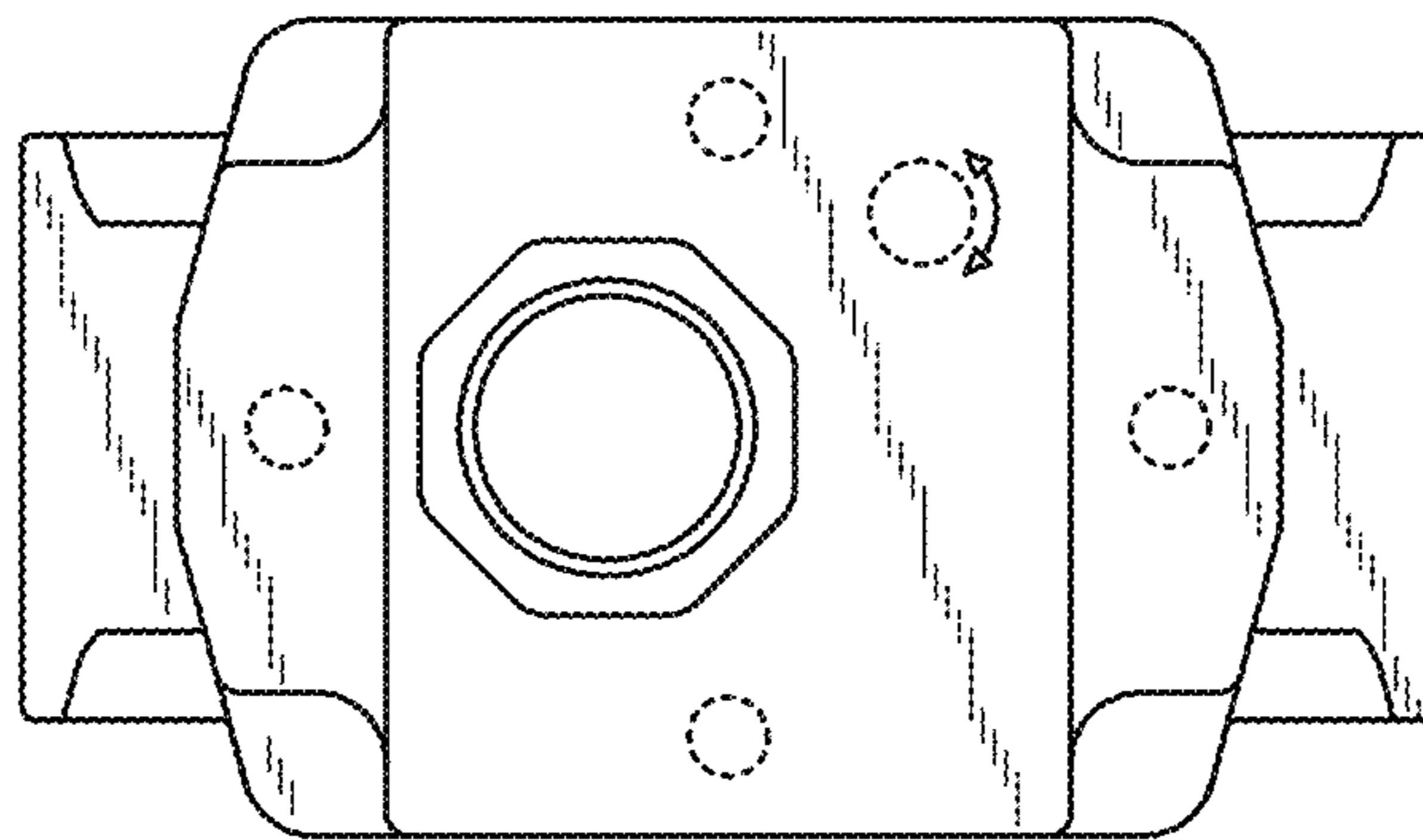


FIG. 7

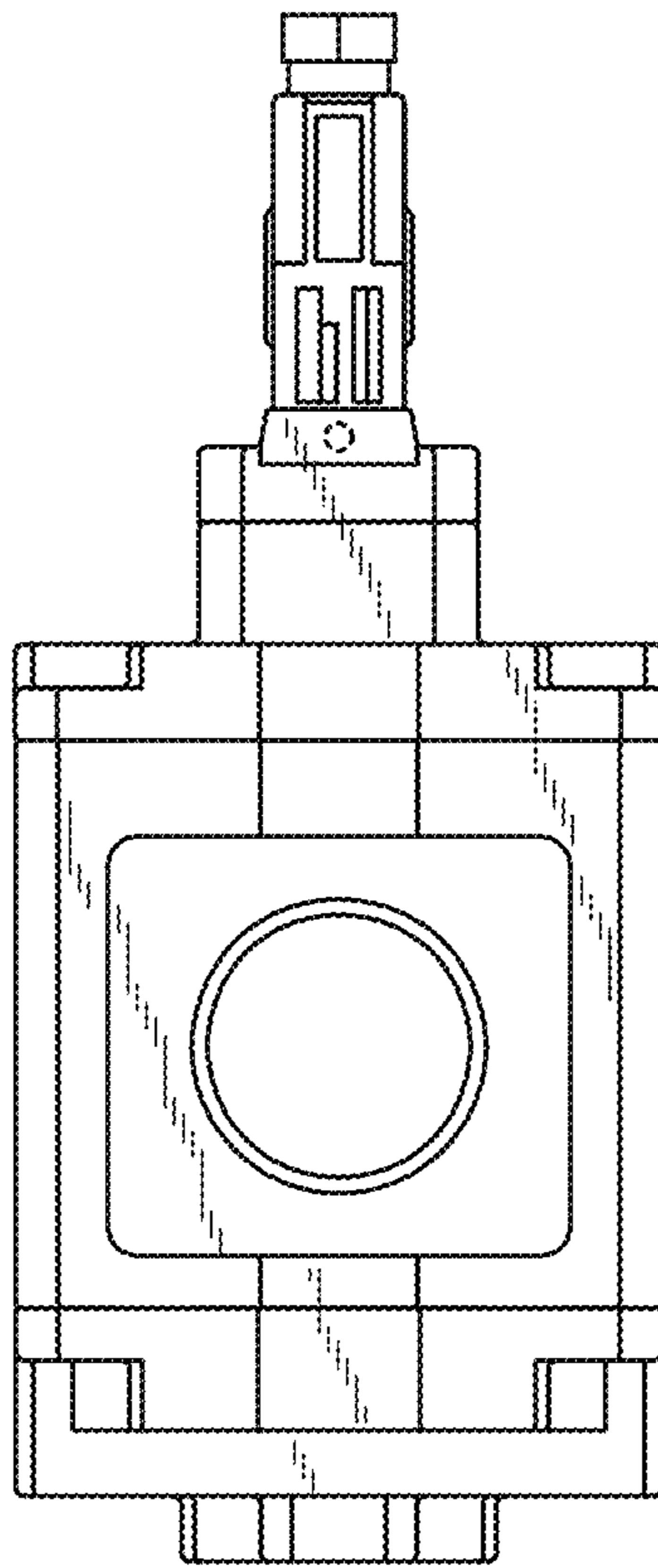


FIG. 8

