



US00D801480S

(12) **United States Design Patent** (10) **Patent No.:** **US D801,480 S**
Baker (45) **Date of Patent:** **** Oct. 31, 2017**

(54) **VALVE HOUSING**

D678,470 S 3/2013 Mortensen
D720,048 S 12/2014 Winborn
2011/0056015 A1 3/2011 Perrin et al.

(71) Applicant: **Magarl, LLC**, Naples, FL (US)

(72) Inventor: **Thomas R. Baker**, Noblesville, IN (US)

(73) Assignee: **Magarl, LLC**, Naples, FL (US)

(**) Term: **15 Years**

(21) Appl. No.: **29/586,515**

(22) Filed: **Dec. 5, 2016**

OTHER PUBLICATIONS

Bradley, "Pedestal-Mount Halo Eyewash or Eye/Face Wash;" S19214 Series; Menomonee Falls, WI, 5 pgs. Sep. 15, 2015.
Bradley, Model S19214BSS; <https://www.bradleycorp.com/safety/safety-eyewashes-drench-showers/pedestal-mounted-eyewashes/halo/stainless-steel-eye-face-wash-and-bowl>.

Primary Examiner — Cynthia Ramirez

Assistant Examiner — Gino Colan

(74) *Attorney, Agent, or Firm* — John V. Daniluck; Bingham Greenebaum Doll LLP

Related U.S. Application Data

(62) Division of application No. 29/522,350, filed on Mar. 30, 2015, now Pat. No. Des. 773,611.

(51) **LOC (10) Cl.** **23-01**

(52) **U.S. Cl.**
USPC **D23/233**

(58) **Field of Classification Search**

USPC D23/233–250; 137/488, 12, 14, 15.19, 137/493, 486, 505.11, 218, 318, 140, 137/636.2, 625.4, 625.41, 625.17, 137/170–174, 549, 625.22, 625.47
CPC F16K 31/12; F16K 27/12; F16K 3/0227
See application file for complete search history.

(56) **References Cited**

U.S. PATENT DOCUMENTS

D304,486 S 11/1989 Elder
D568,965 S 5/2008 Johnson
D620,081 S 7/2010 Geideman
D638,521 S 5/2011 Matusche
D638,915 S 5/2011 Cardno
D647,598 S 10/2011 Matusche

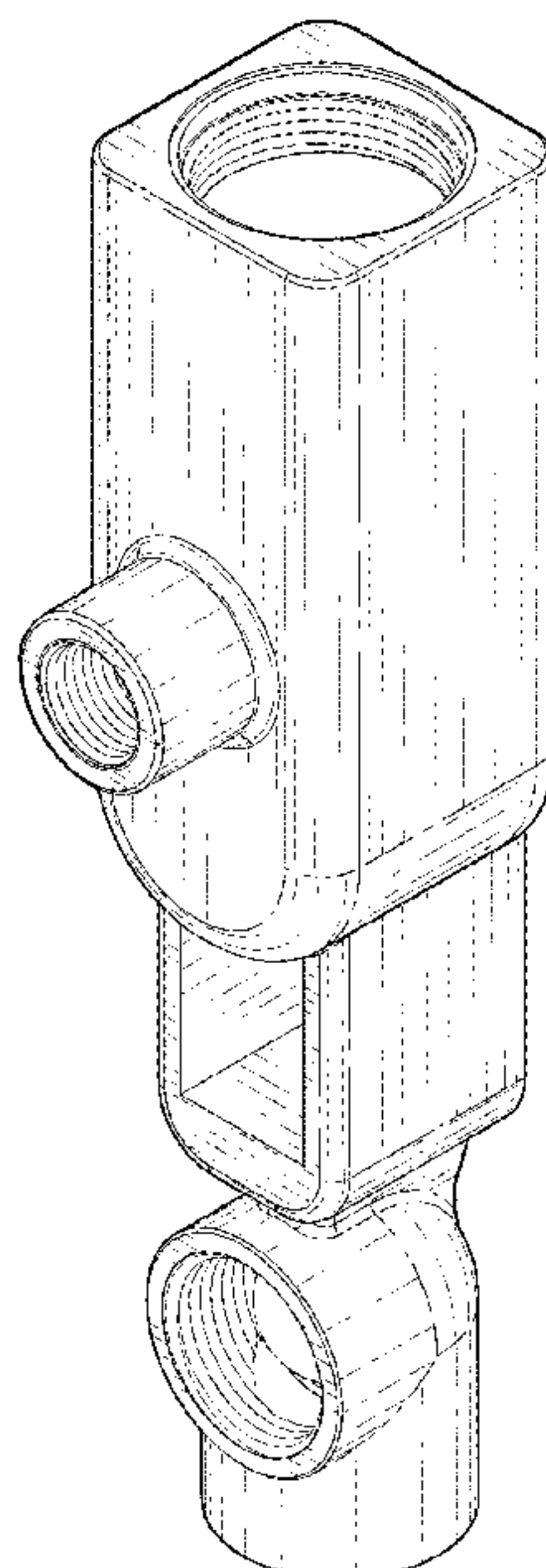
(57) **CLAIM**

The ornamental design for a valve housing, as shown and described.

DESCRIPTION

FIG. 1 is a right side, front, top perspective view of a valve housing showing my new design;
FIG. 2 is a left side, front, bottom perspective view thereof;
FIG. 3 is a front elevational view thereof;
FIG. 4 is a right elevational view thereof;
FIG. 5 is a rear elevational view thereof;
FIG. 6 is a left elevational view thereof;
FIG. 7 is a top plan view thereof;
FIG. 8 is a bottom plan view thereof;
FIG. 9 is a right elevational view thereof; and,
FIG. 10 is a right side, front, top perspective view thereof.
The dotted lines shown in the figures are included for the purpose of illustrating environment and form no part of the claimed design.

1 Claim, 7 Drawing Sheets



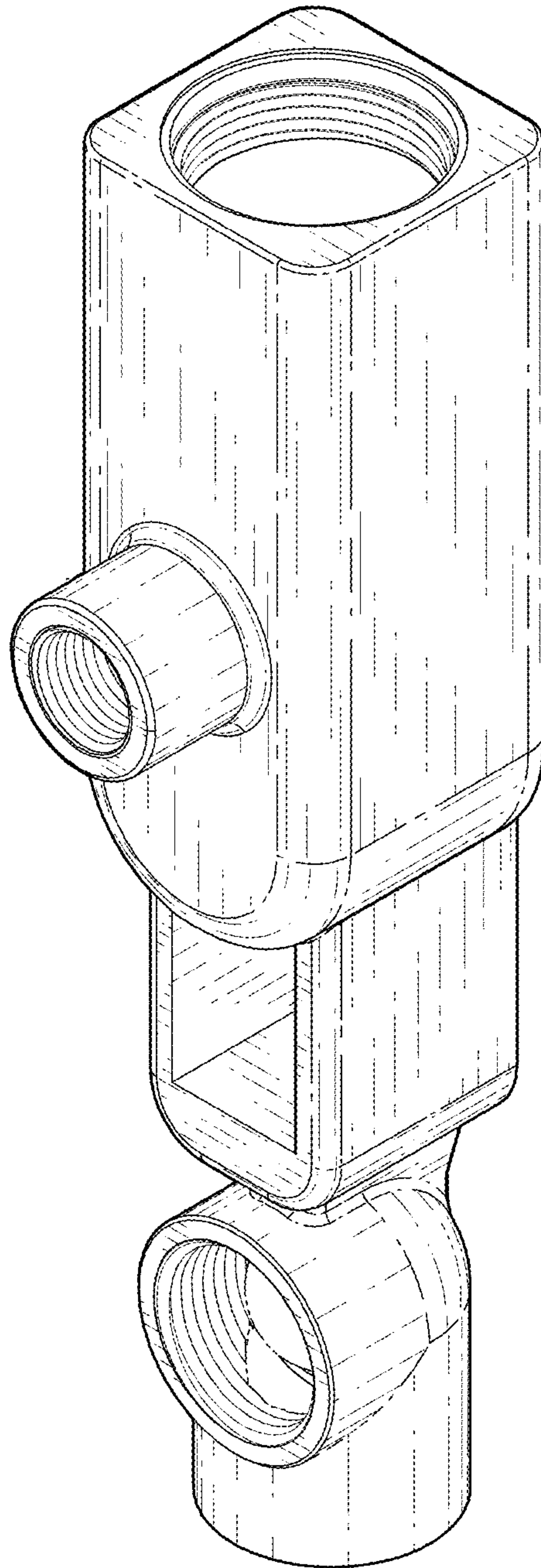


FIG. 1

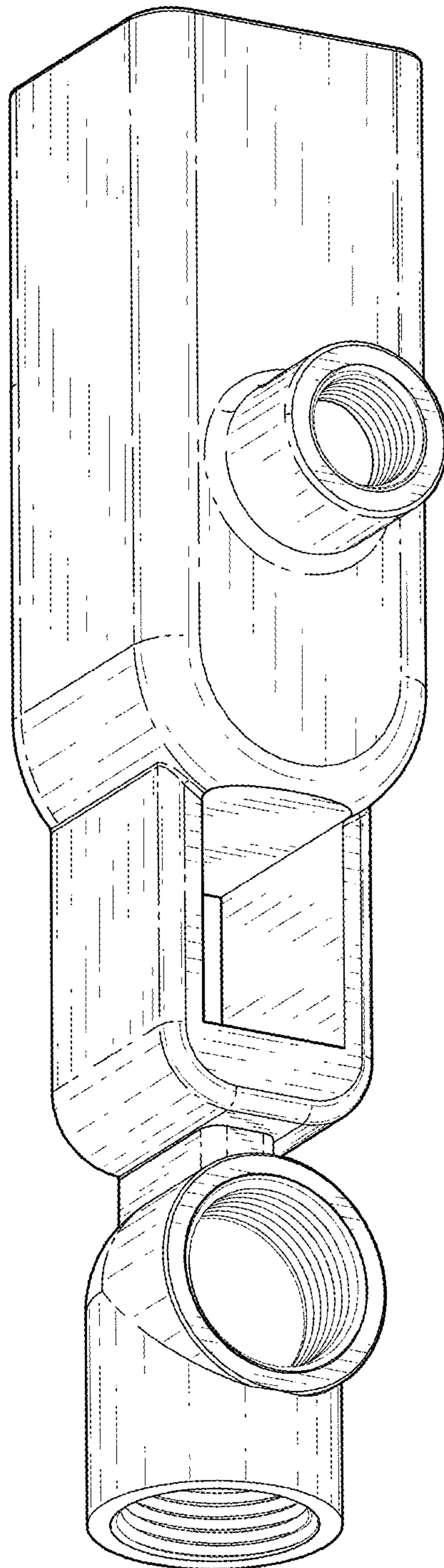


FIG. 2

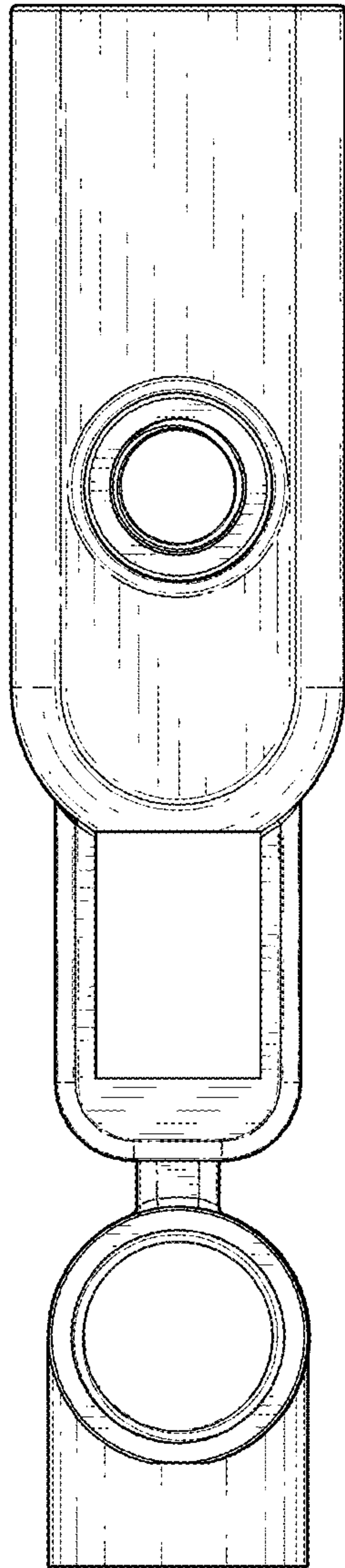


FIG. 3

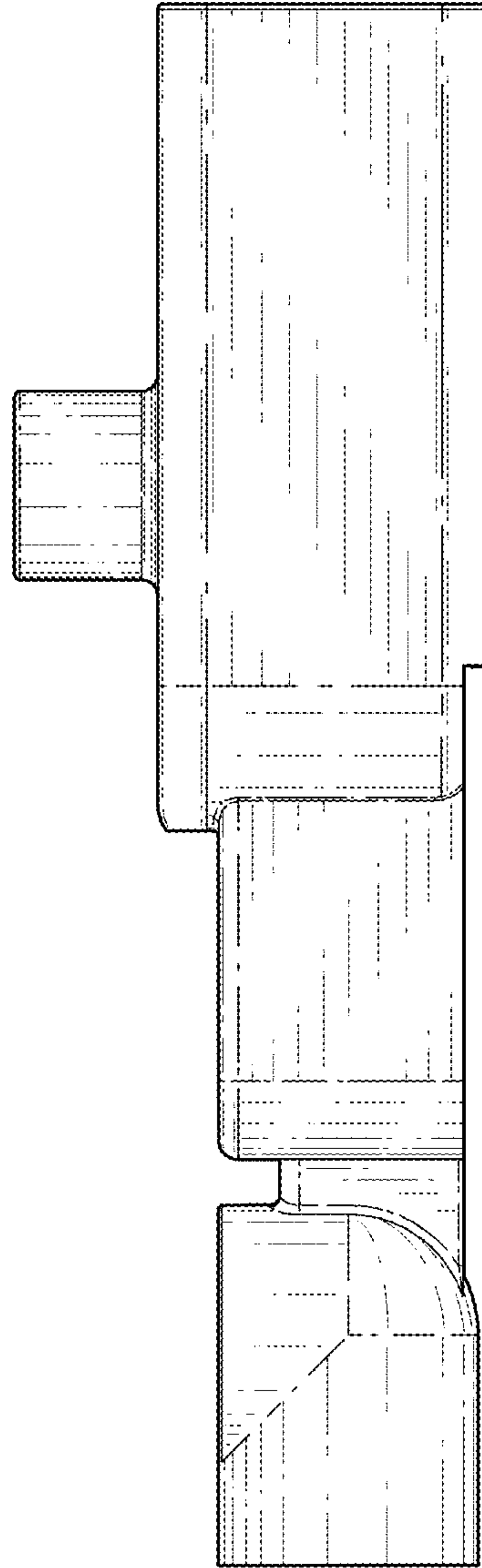


FIG. 4

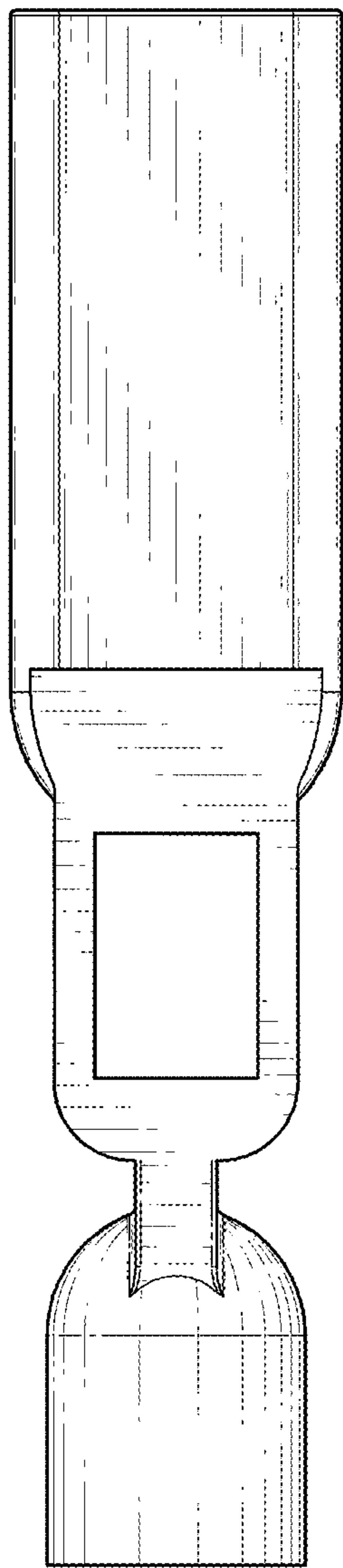


FIG. 5

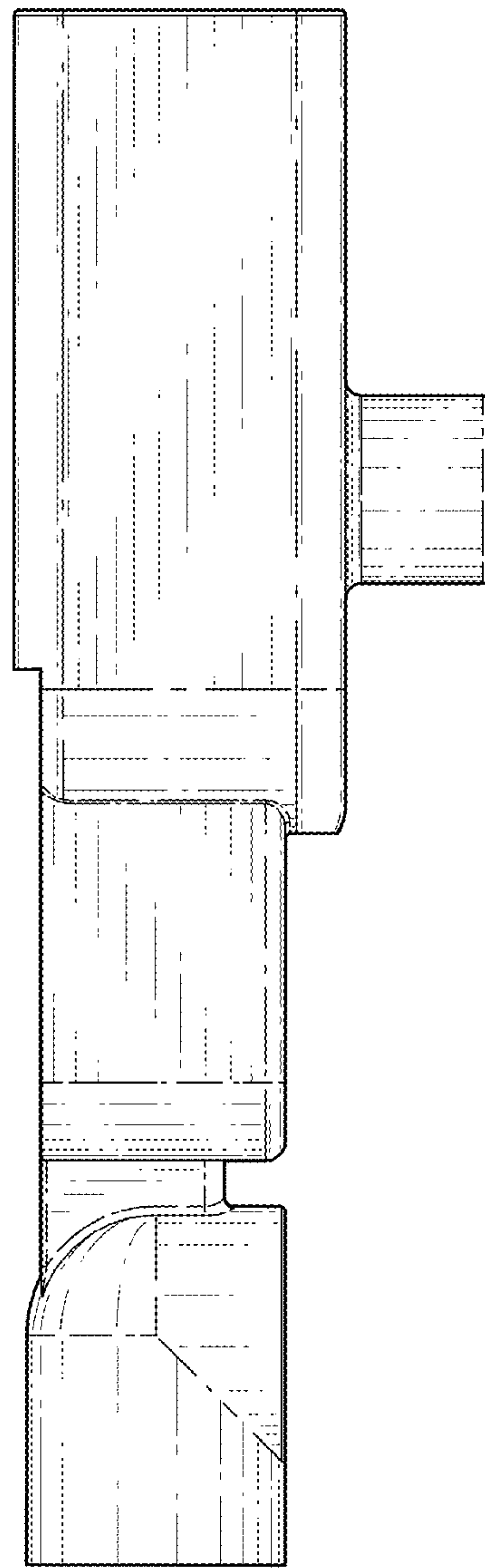


FIG. 6

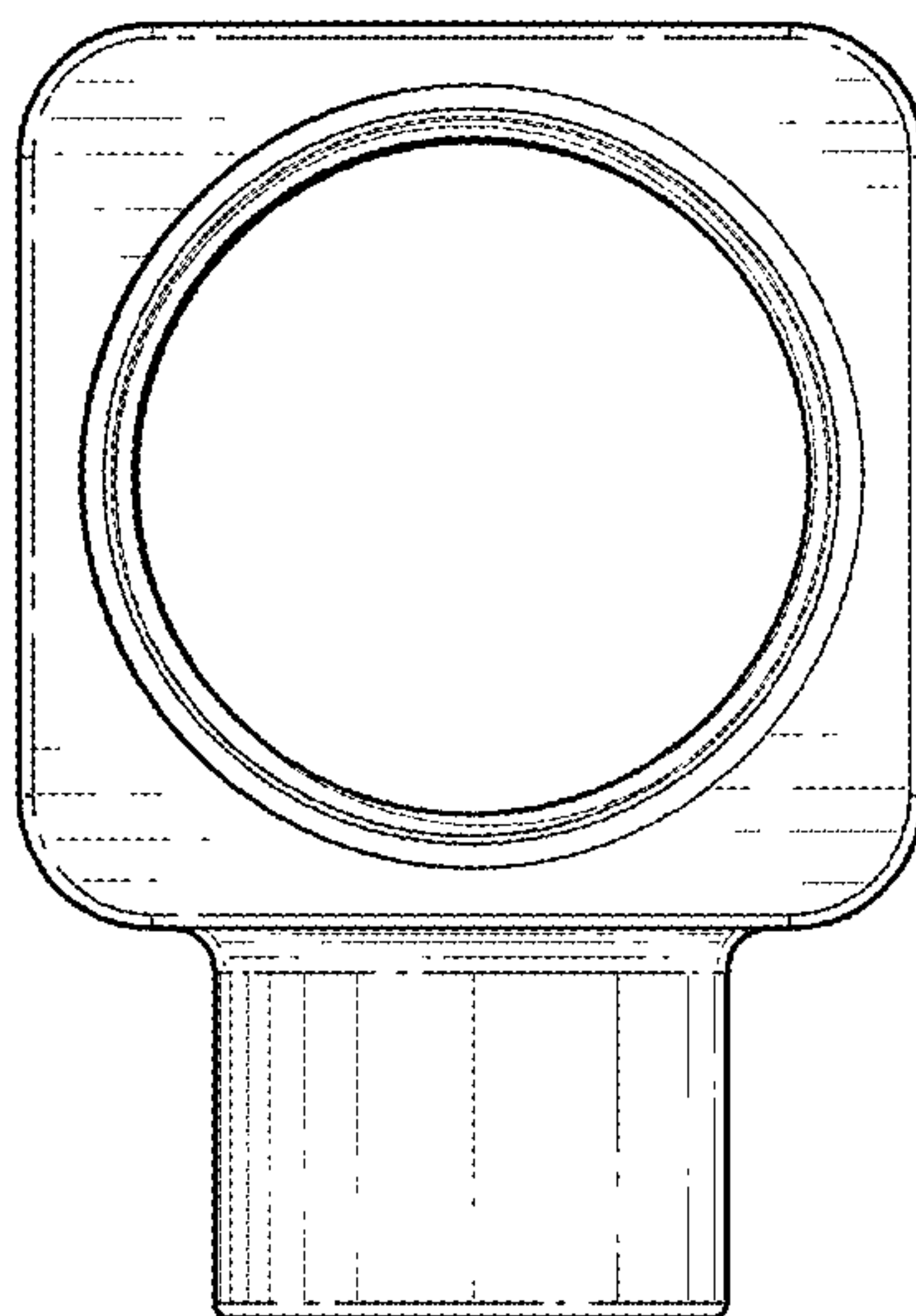


FIG. 7

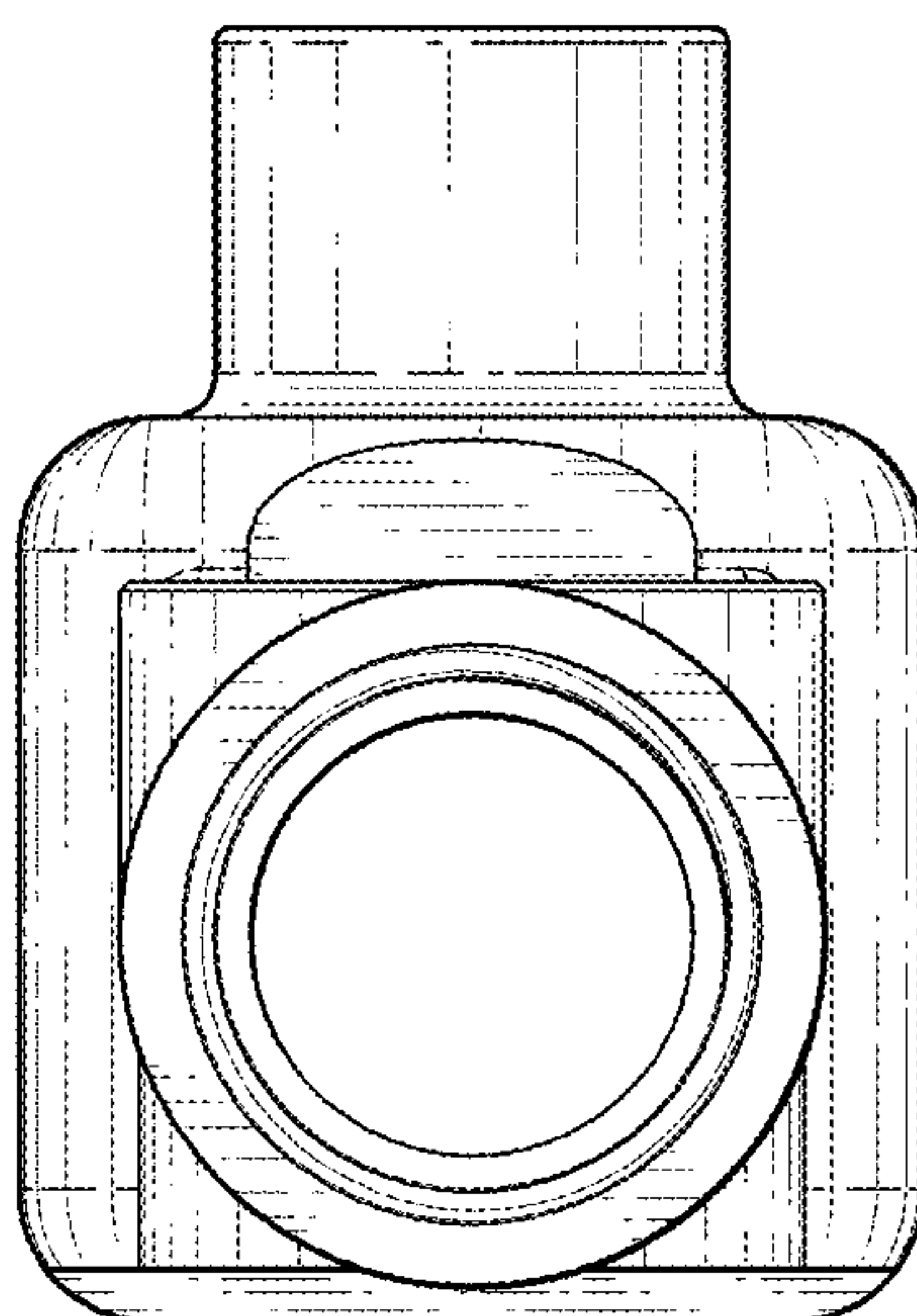


FIG. 8

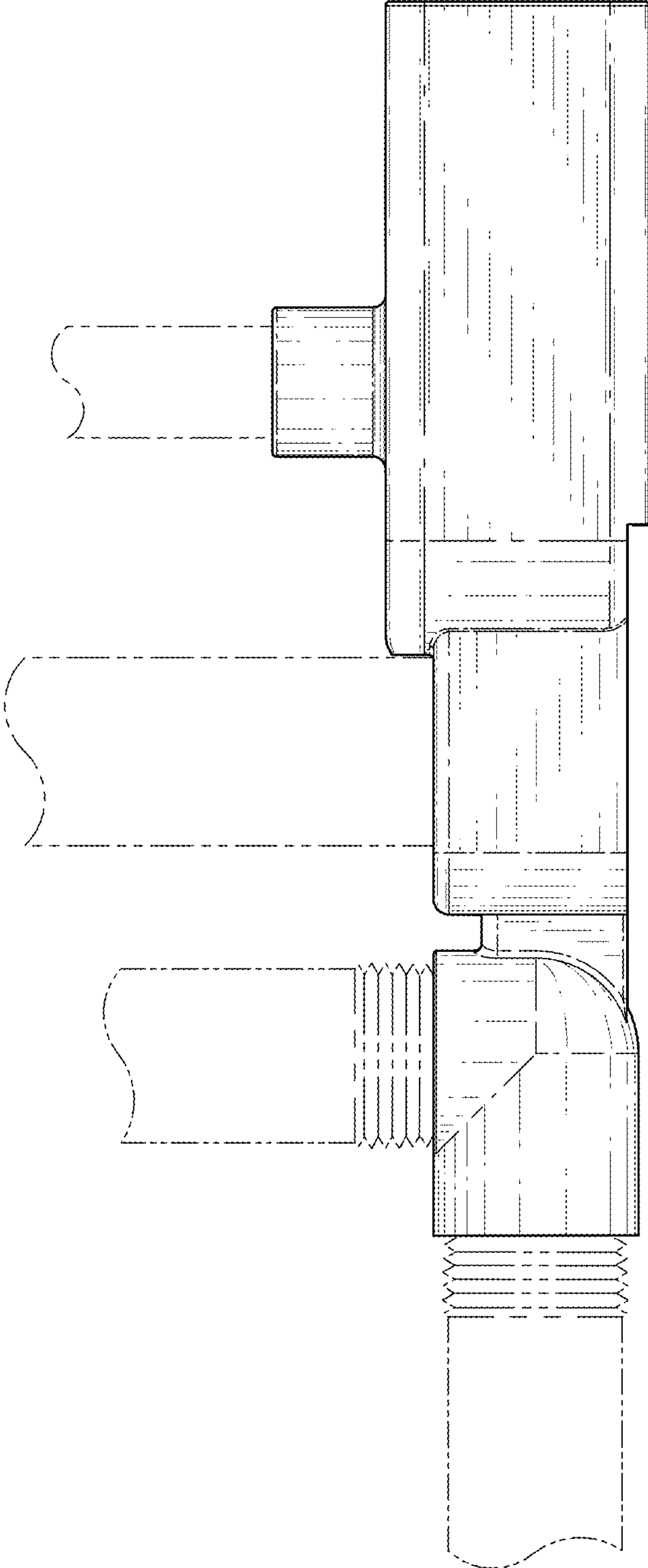


FIG. 9

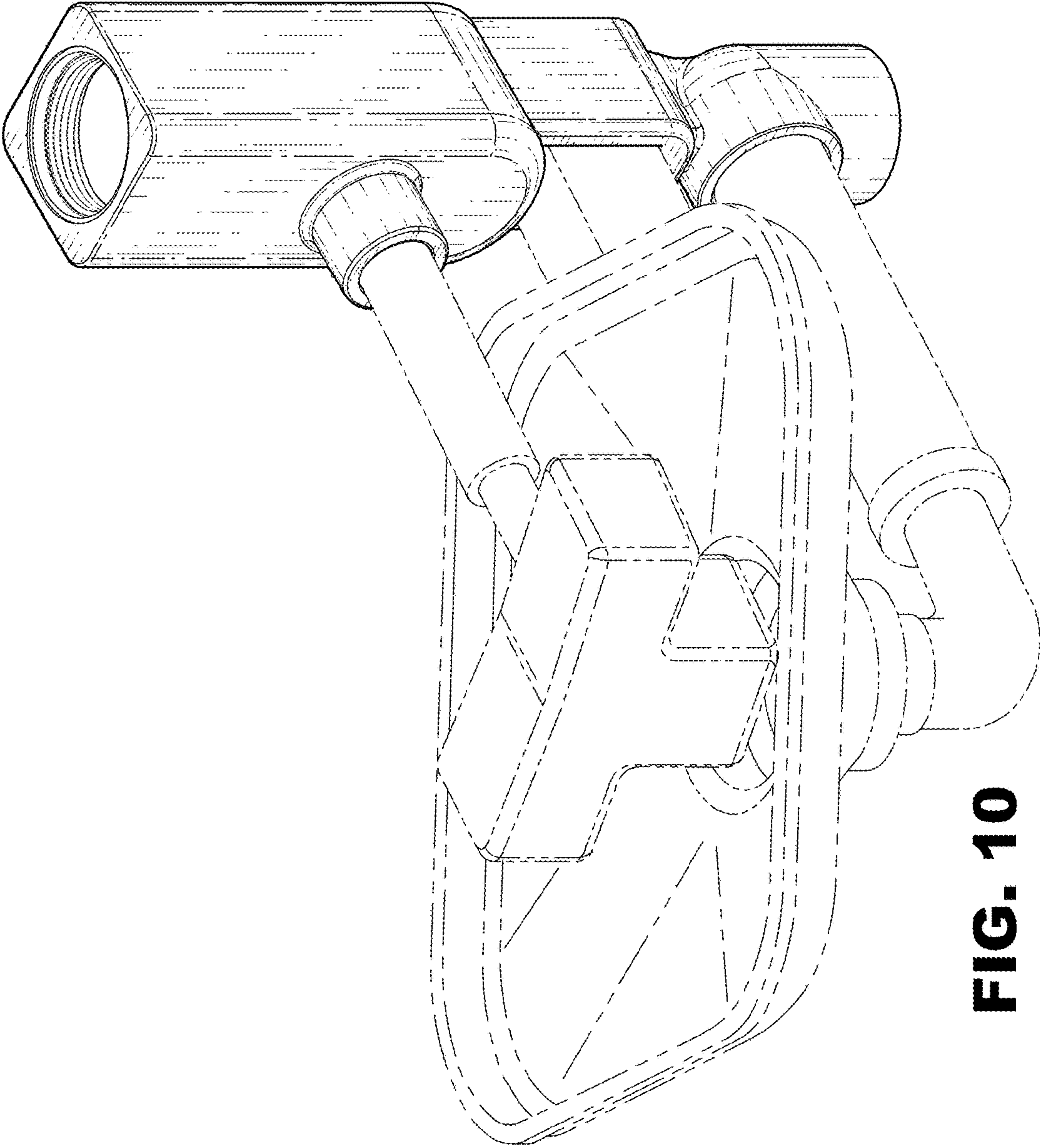


FIG. 10