



US00D801478S

(12) **United States Design Patent** (10) **Patent No.:** **US D801,478 S**
Peschel (45) **Date of Patent:** **** Oct. 31, 2017**

(54) **VALVE**

(71) Applicant: **FESTO AG & Co. KG**, Esslingen (DE)

(72) Inventor: **Jorg Peschel**, Esslingen (DE)

(73) Assignee: **FESTO AG & CO. KG**, Esslingen (DE)

(**) Term: **15 Years**

(21) Appl. No.: **29/560,134**

(22) Filed: **Apr. 4, 2016**

(30) **Foreign Application Priority Data**

Oct. 6, 2015 (WO) 926112001

(51) **LOC (10) Cl.** **23-01**

(52) **U.S. Cl.**
USPC **D23/233**

(58) **Field of Classification Search**

USPC D23/233, 234, 235, 236, 237, 238, 239, D23/240, 241, 242, 243, 24, 245, 246, D23/247, 248, 249, 250, 259, 255; D15/7, 199; 4/249, 255.03, 300, 305, 4/319, 323, 325, 378, 392-396, 420, 427, 4/431-435, 437, 438, 440-442, 661; 137/1, 50, 57, 61, 61.1, 357, 115.23, 137/596.14, 599.07, 487.5, 271, 269, 137/625.64, 343, 882, 560, 557, 554; 251/331, 291, 15, 129.04, 129.15, 129.01, 251/30.04, 25, 38, 28, 41, 172; 239/585.1

CPC F16K 31/0675; F16K 13/02; F16K 15/02; F16K 15/063; F16K 17/003; F15B 13/0817; F15B 13/0828; F15B 13/0839; F15B 13/0846; F15B 13/0857; F15B 13/0875; F15B 20/00; F15B 13/0814; F15B 13/0821; F15B 13/0832; F16L 29/00; F24F 11/04; F24F 13/10

See application file for complete search history.

(56) **References Cited**

U.S. PATENT DOCUMENTS

8,807,167 B2 * 8/2014 Song E03C 1/057
137/599.04
8,973,610 B2 * 3/2015 Ma F15B 13/0422
137/596.14
D753,796 S * 4/2016 Suematsu D23/233
2015/0267834 A1 * 9/2015 Starzmann F16K 31/02
251/129.01
2015/0300519 A1 * 10/2015 Da Pont F25D 17/045
251/11

OTHER PUBLICATIONS

Festo, "Solenoid valves VUVG/valve terminals VTUG," pp. 1-3 and 88-91, (2015).

Festo, "Solenoid valves VMPA," pp. 1-6, (2005).

* cited by examiner

Primary Examiner — Cynthia Ramirez

Assistant Examiner — Michael Maharajh

(74) *Attorney, Agent, or Firm* — Hoffmann & Baron, LLP

(57) **CLAIM**

The ornamental design for a valve, as shown and described.

DESCRIPTION

FIG. 1 is a top perspective view of a valve showing my new design;

FIG. 2 is a front elevational view thereof;

FIG. 3 is a rear elevational view thereof;

FIG. 4 is a left side elevational view thereof;

FIG. 5 is a right side elevational view thereof; and,

FIG. 6 is a top plan view thereof.

The broken lines in the drawings are included for the purpose of illustrating portions of the valve and form no part of the claimed design. The bottom of the valve forms no part of the claimed design.

1 Claim, 6 Drawing Sheets

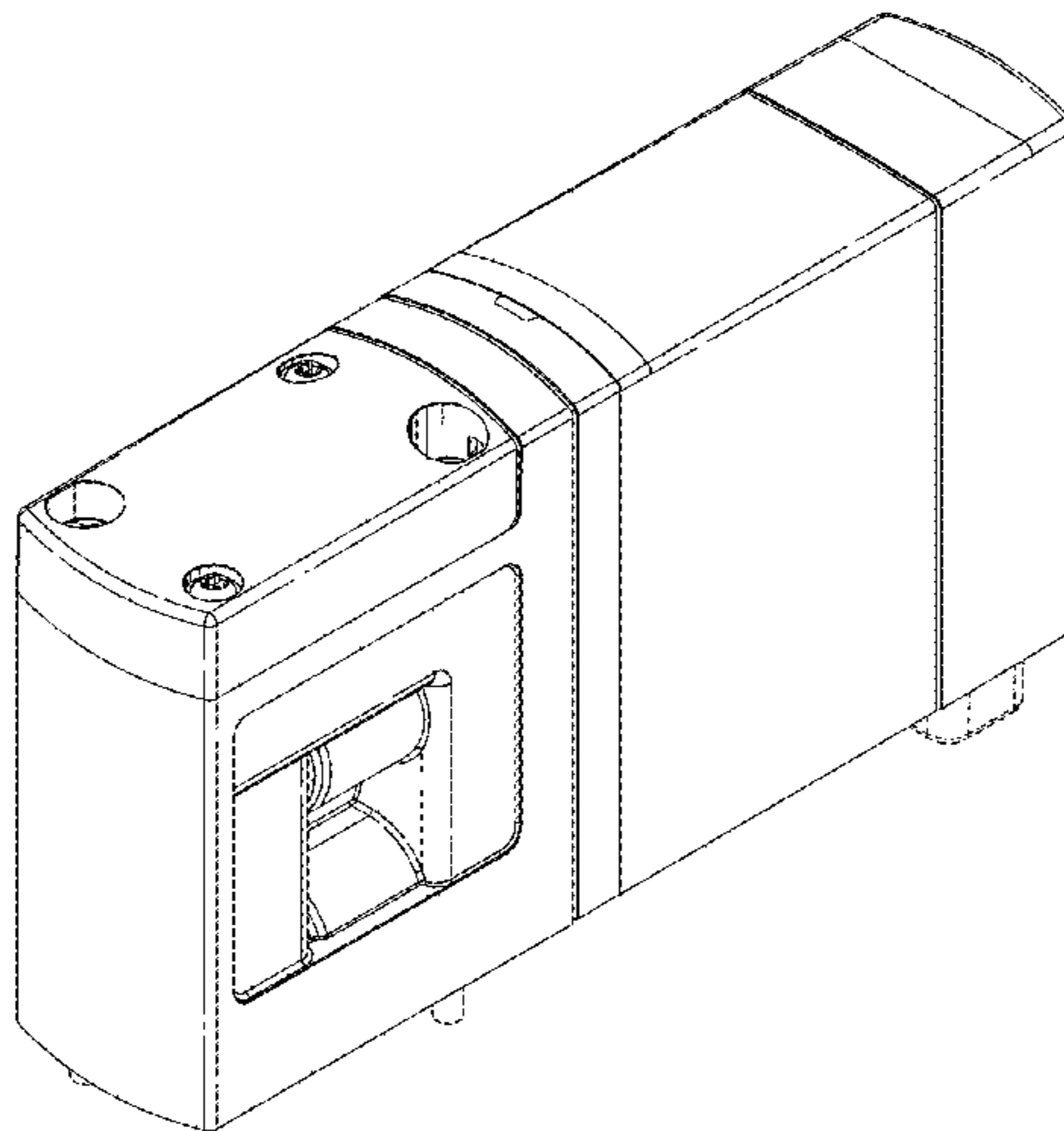


FIG. 1

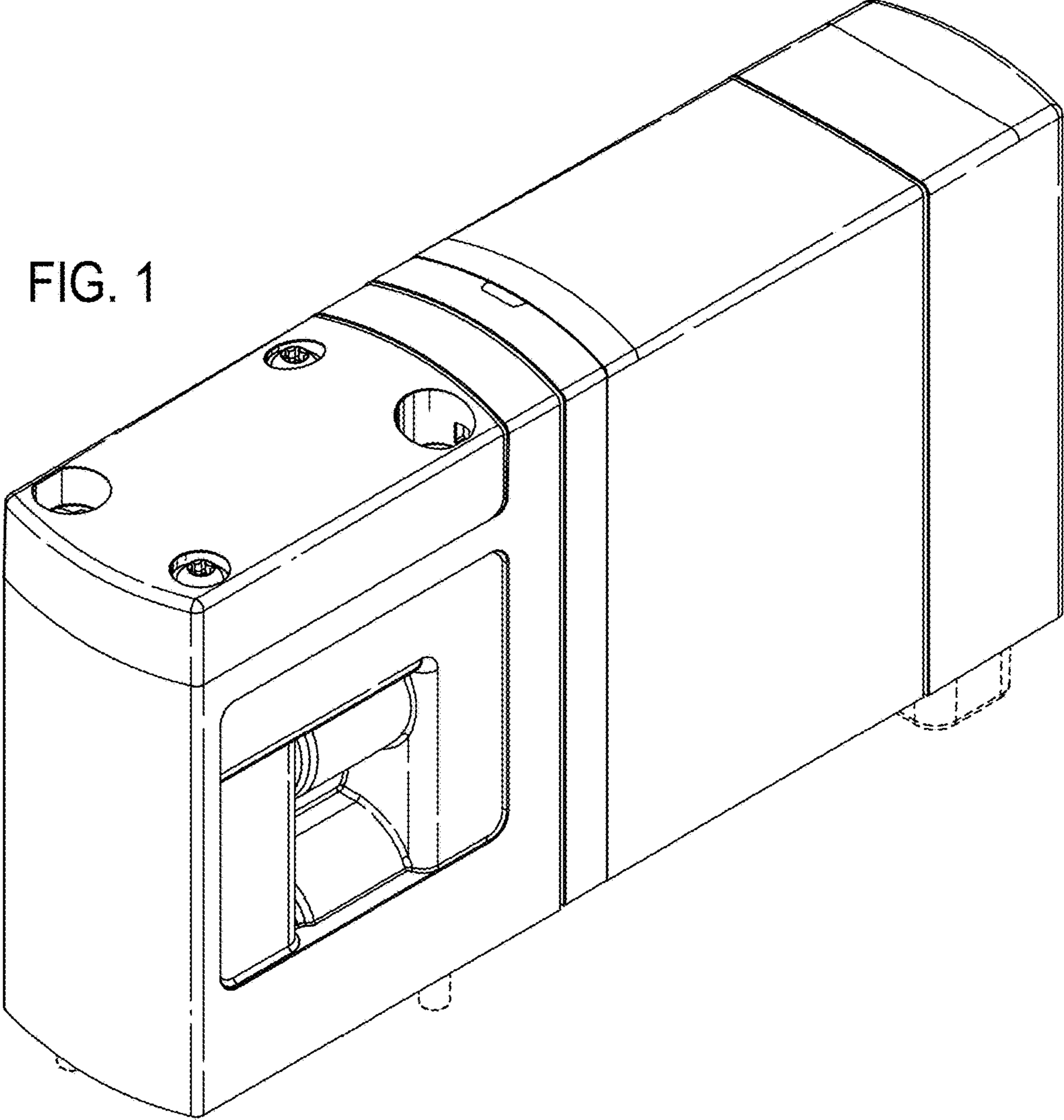


FIG. 2

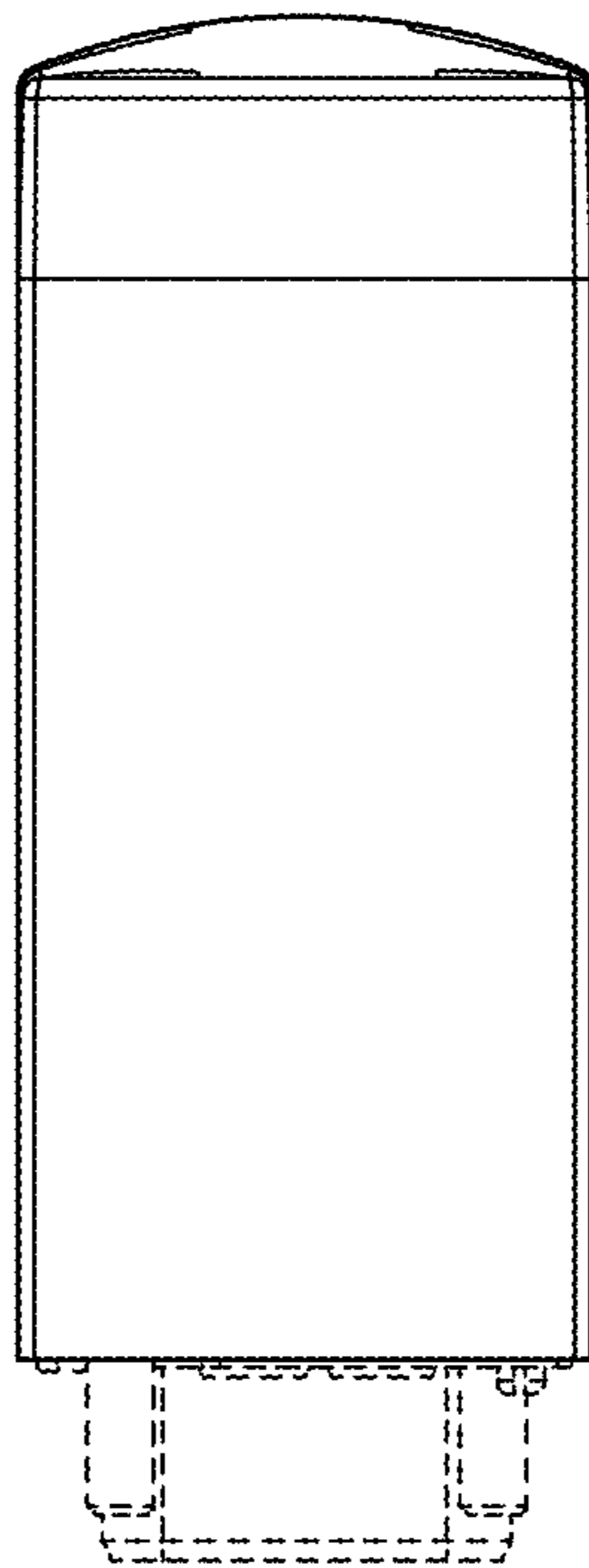


FIG. 3

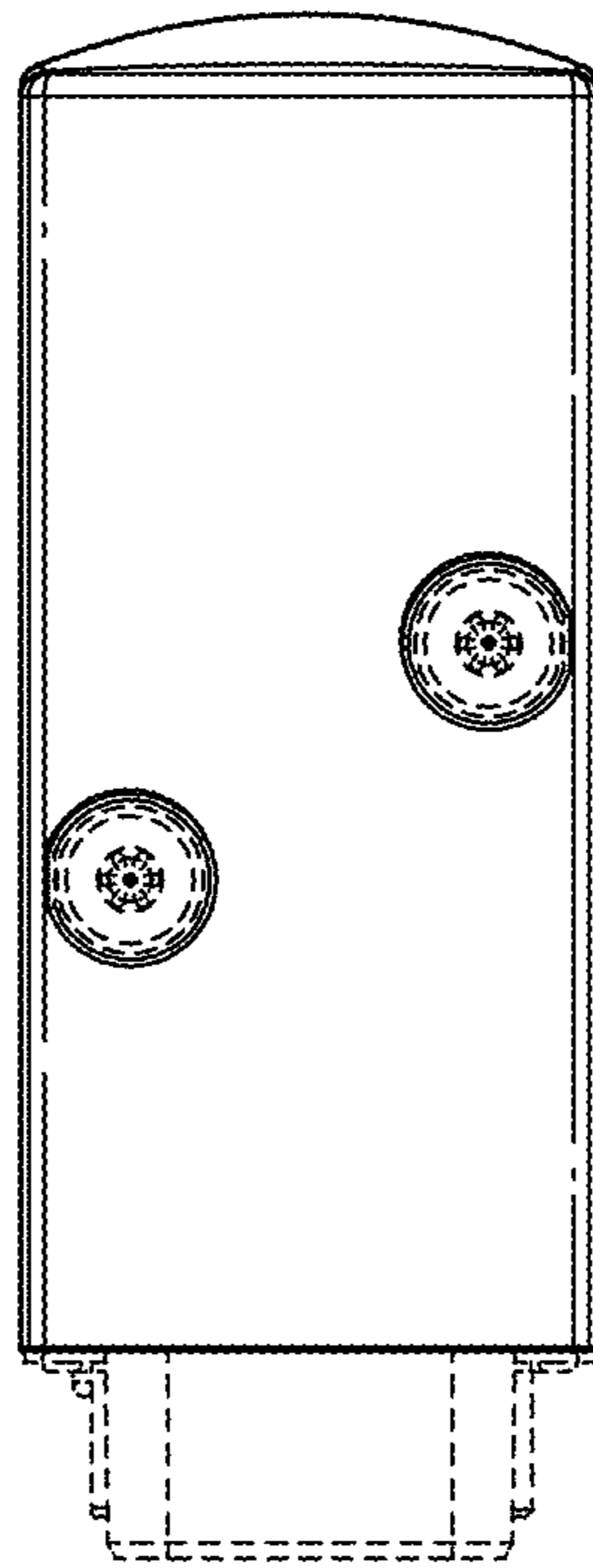


FIG. 4

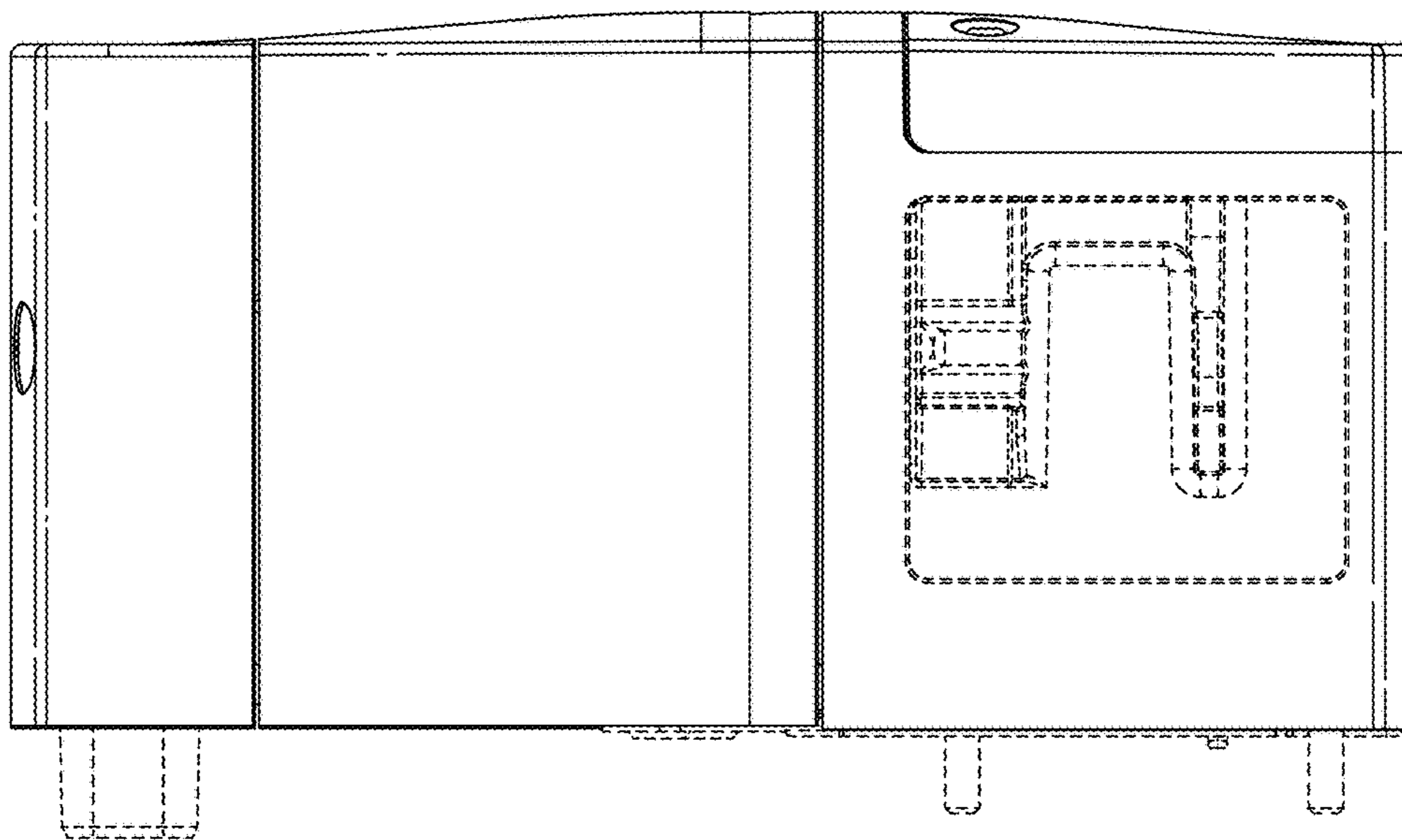


FIG. 5

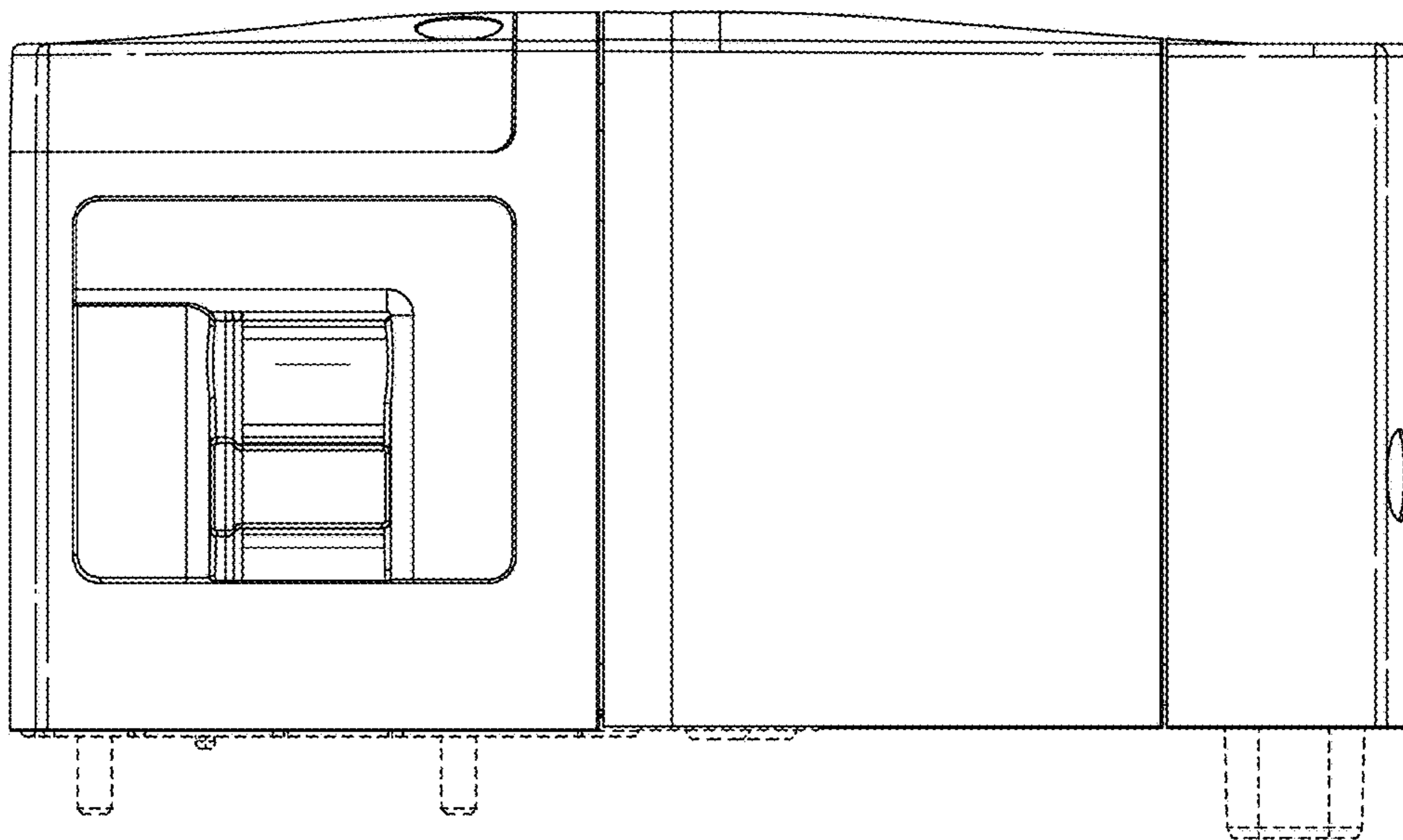


FIG. 6

