



US00D801475S

(12) **United States Design Patent** (10) **Patent No.:** **US D801,475 S**
Näslund et al. (45) **Date of Patent:** **** Oct. 31, 2017**

(54) **SPRAY HEAD**
(71) Applicant: **HUSQVARNA AB**, Huskvarna (SE)
(72) Inventors: **Jens Näslund**, Spånga (SE); **Daniel Gunnarsson**, Danderyd (SE); **Gustav Landberg**, Trosa (SE); **Tor Sigurdson**, Stockholm (SE)
(73) Assignee: **HUSQVARNA AB**, Huskvarna (SE)

D559,354 S * 1/2008 Chih D23/226
D567,336 S * 4/2008 Huang D23/229
D578,609 S * 10/2008 Wu D23/229
D594,090 S * 6/2009 Tse D23/229
D677,361 S * 3/2013 Christopher D23/213
D689,664 S * 9/2013 Dietvorst D32/75
D744,614 S * 12/2015 Peterson D23/229
D746,946 S * 1/2016 Näslund
D755,346 S * 5/2016 Yan D23/223
2012/0223153 A1 * 9/2012 Helmsderfer B05B 1/1654
239/1
2014/0367482 A1 * 12/2014 Cacka B05B 1/1654
239/11

(**) Term: **15 Years**

(Continued)

(21) Appl. No.: **29/567,087**

FOREIGN PATENT DOCUMENTS

(22) Filed: **Jun. 6, 2016**

JP 1521416 S 4/2015
TW 596339 A 6/2004
TW D091006 11/2004

(30) **Foreign Application Priority Data**

(Continued)

Dec. 9, 2015 (EM) 002900910-0004

(51) **LOC (10) Cl.** **23-01**

(52) **U.S. Cl.**
USPC **D23/213**

(58) **Field of Classification Search**
USPC D23/201, 211, 213, 221, 223, 225, 226,
D23/229

CPC B05B 1/18; B05B 1/00-1/08; B05B 1/20;
B05B 15/063

See application file for complete search history.

Primary Examiner — Robin V Webster

Assistant Examiner — Rachel Voorhies

(74) *Attorney, Agent, or Firm* — McNair Law Firm, P.A.

(56) **References Cited**

(57) **CLAIM**

The ornamental design for a spray head, as shown and described.

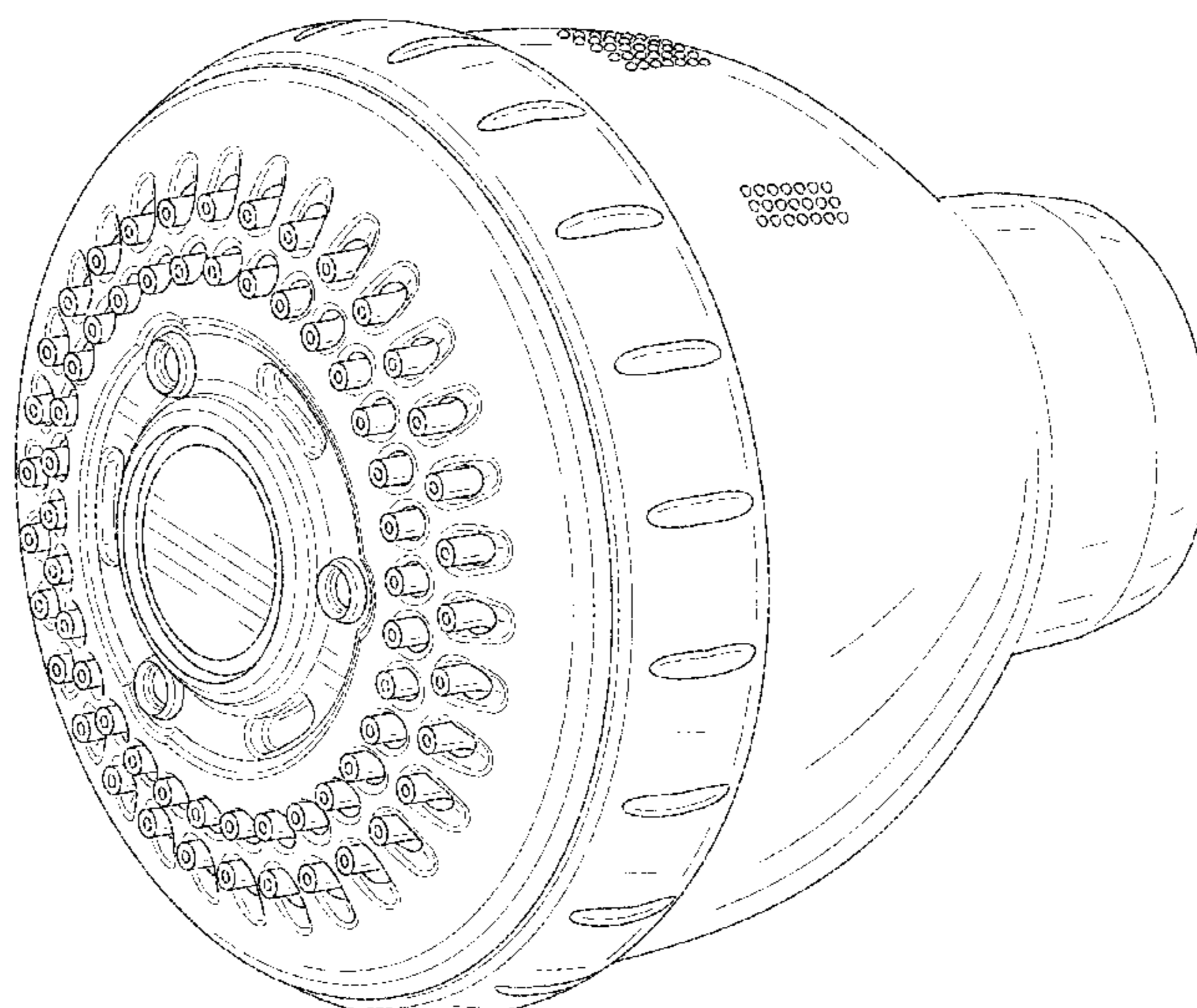
U.S. PATENT DOCUMENTS

DESCRIPTION

D406,679 S * 3/1999 DePalma D32/29.1
D443,029 S 5/2001 Kollmann et al.
D471,253 S 3/2003 Tse
6,540,159 B1 * 4/2003 Wang B05B 15/066
239/525
D507,820 S * 7/2005 Blomstrom D23/229
D526,382 S * 8/2006 Thompson D23/208
D548,392 S * 8/2007 Lo D23/226
D559,353 S * 1/2008 Chih D23/226

FIG. 1 is a perspective view of a spray head in accordance with an embodiment of the present invention;
FIG. 2 is a front view of the spray head of FIG. 1;
FIG. 3 is a back view of the spray head of FIG. 1;
FIG. 4 is a right side view of the spray head of FIG. 1;
FIG. 5 is a left side view of the spray head of FIG. 1;
FIG. 6 is a top view of the spray head of FIG. 1; and,
FIG. 7 is a bottom view of the spray head of FIG. 1.
The broken lines in the drawings illustrate portions of the spray head which form no part of the claimed design.

1 Claim, 7 Drawing Sheets



(56)

References Cited

U.S. PATENT DOCUMENTS

2015/0076254 A1* 3/2015 Farley B05B 1/1636
239/532

FOREIGN PATENT DOCUMENTS

TW	D118254	7/2007
TW	D129036	6/2009
TW	D130862	9/2009
TW	D166729	3/2015

* cited by examiner

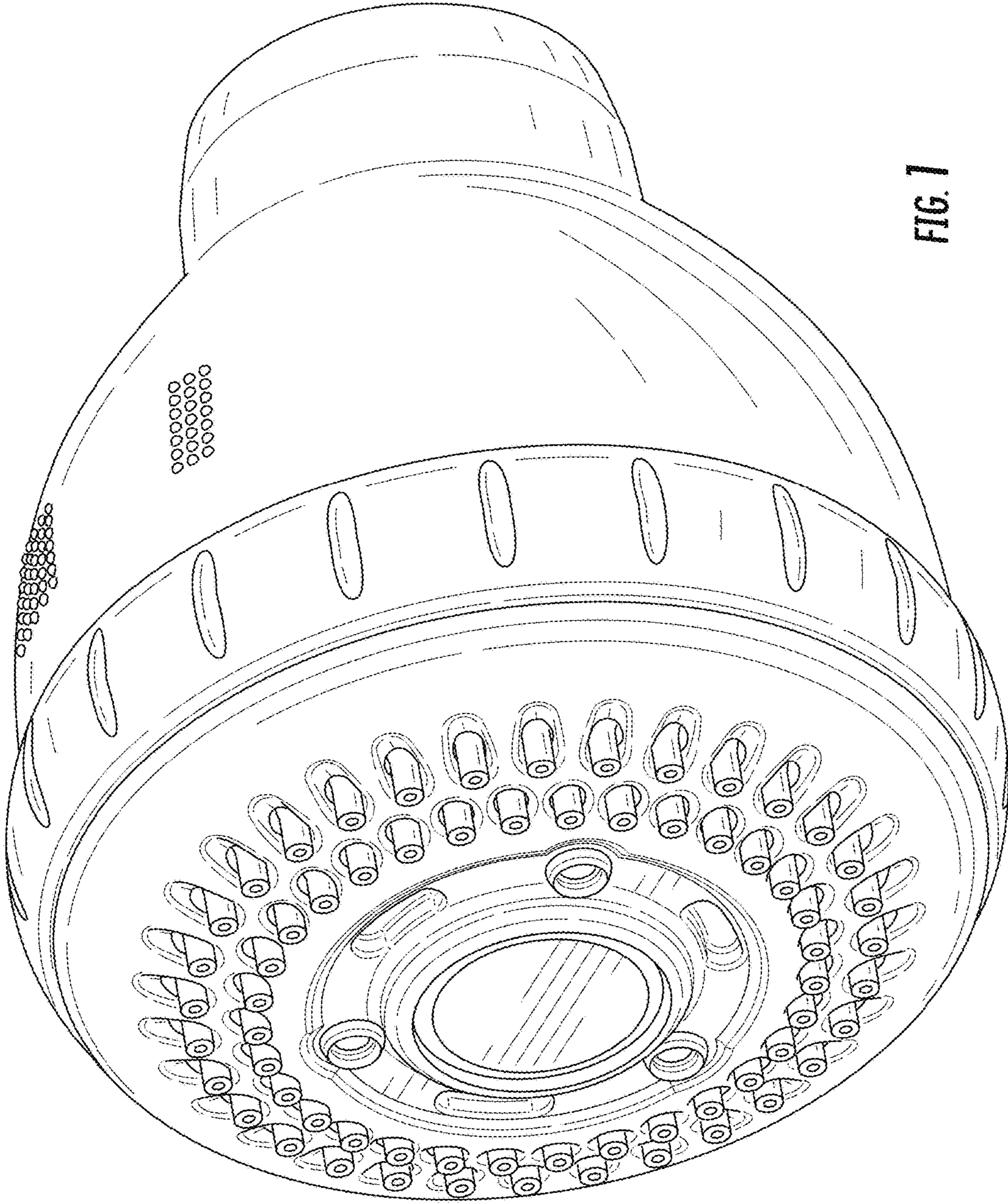


FIG. 1

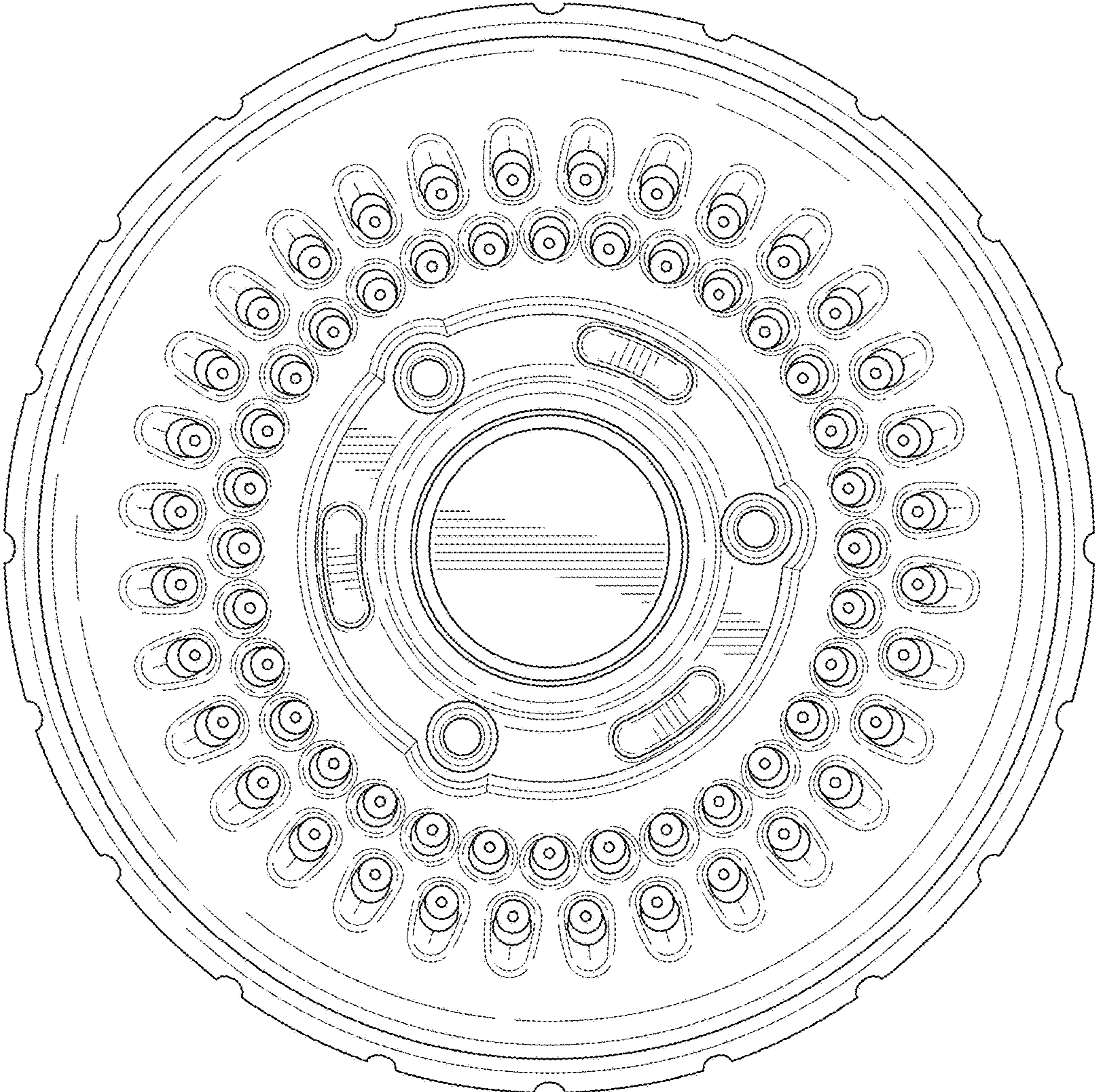


FIG. 2

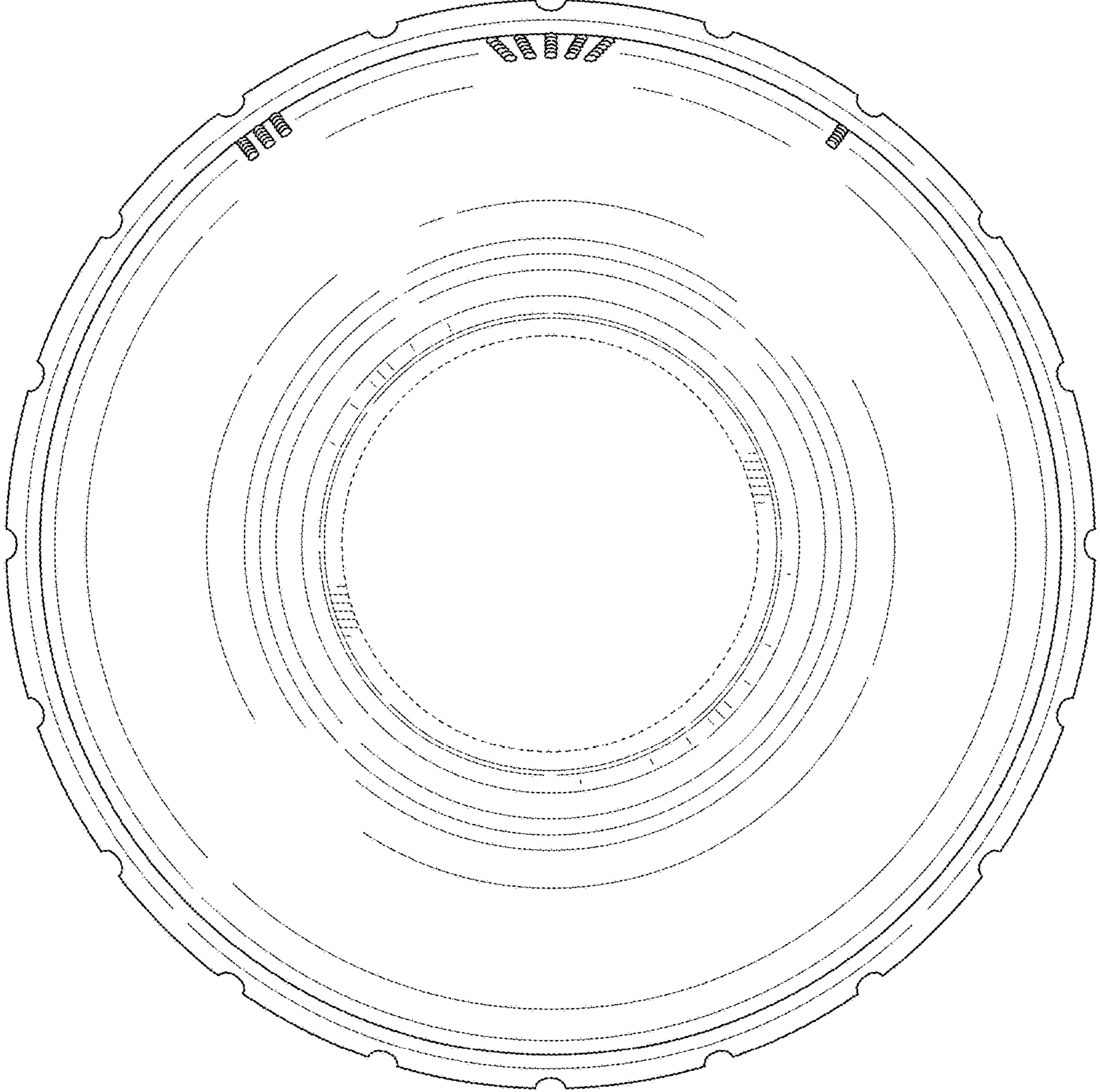


FIG. 3

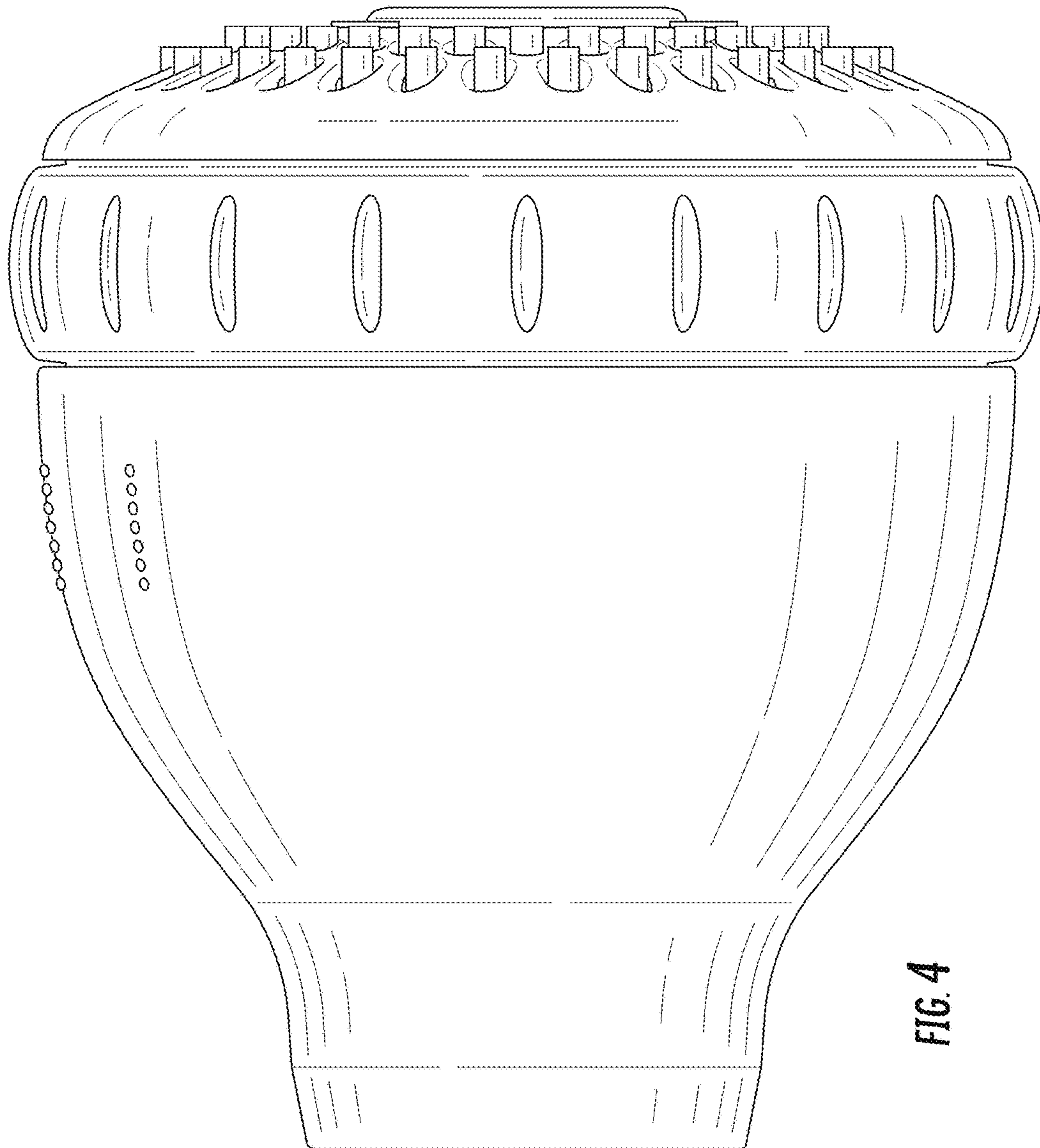


FIG. 4

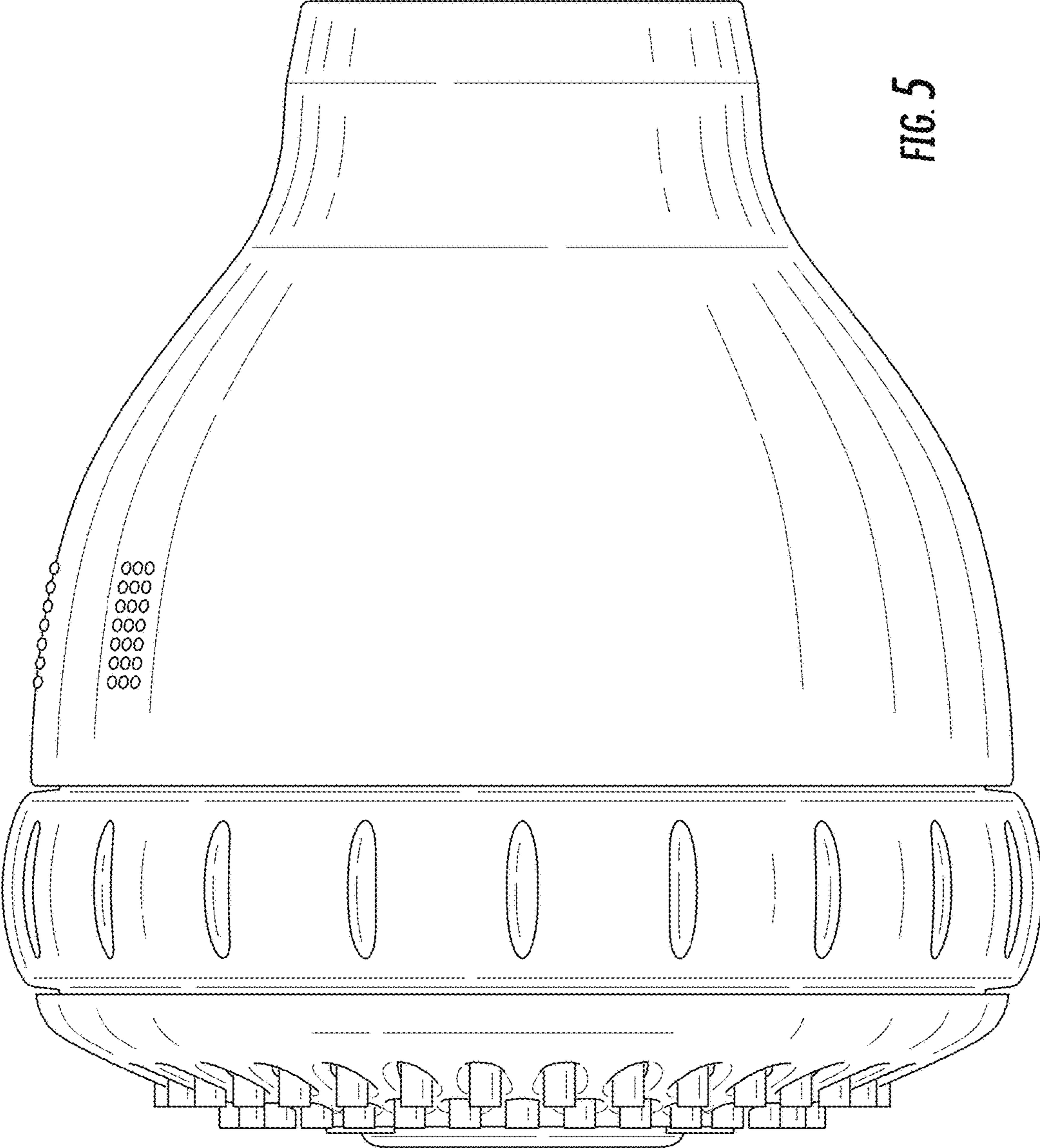


FIG. 5

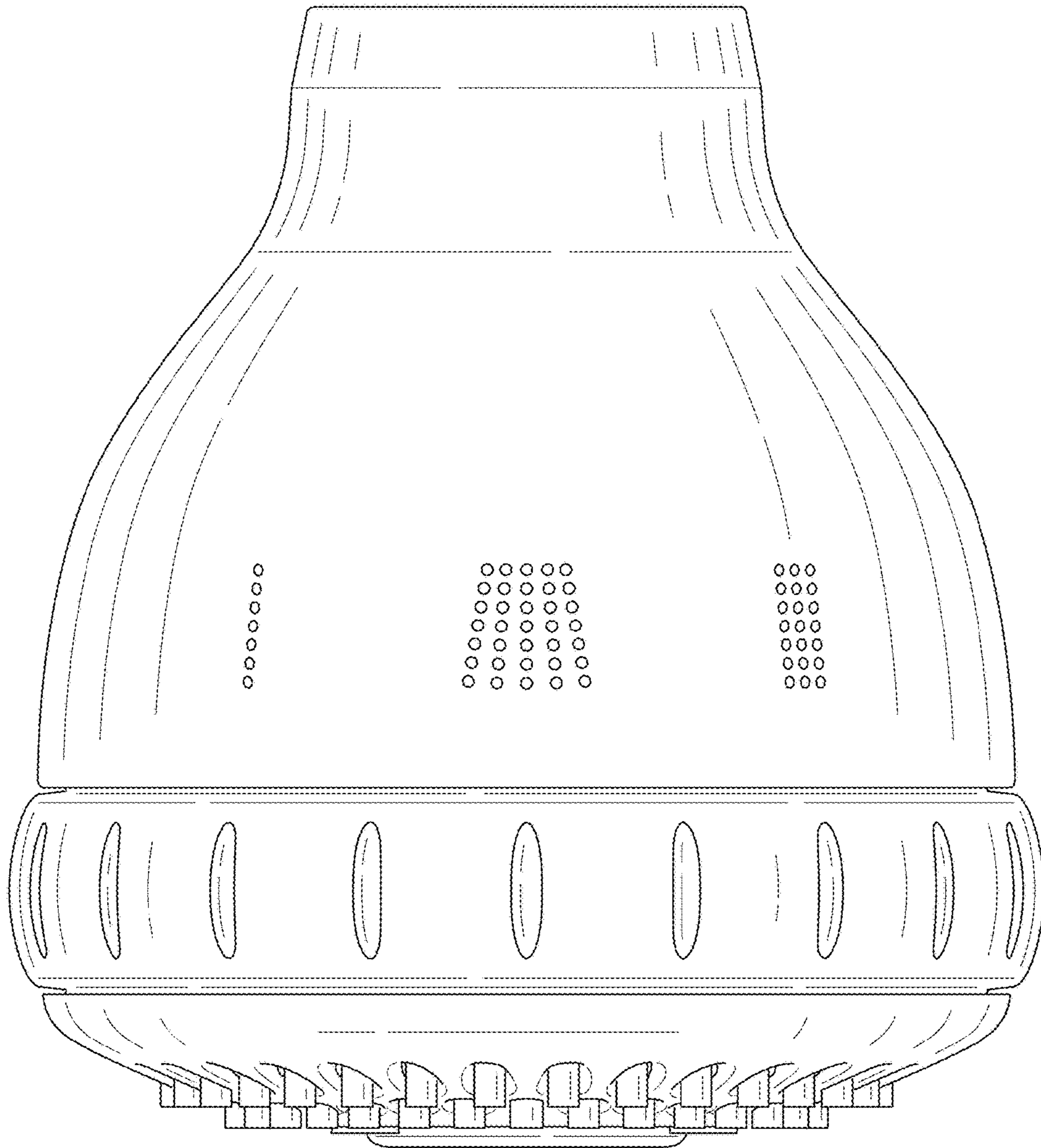


FIG. 6

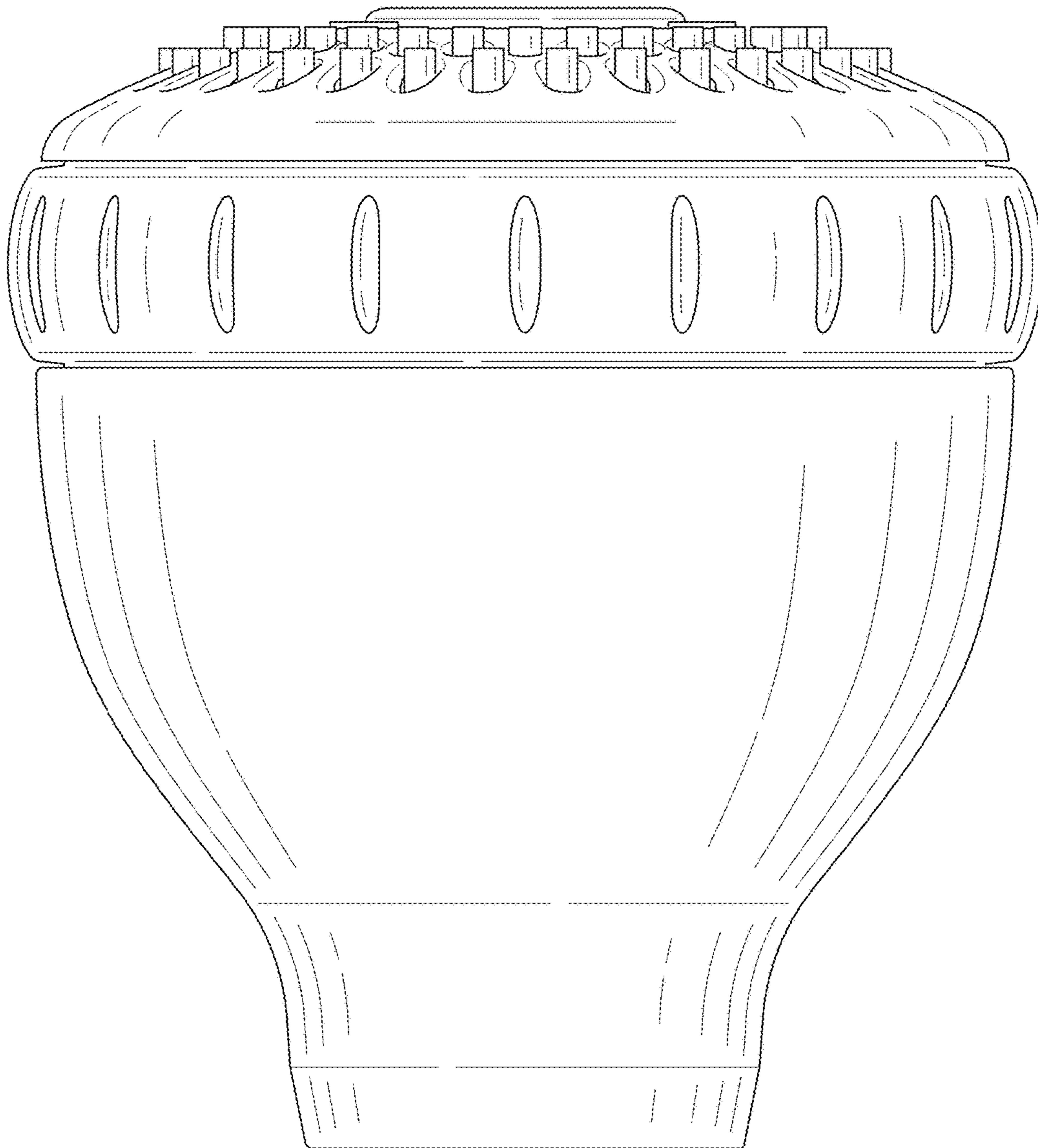


FIG. 7