



US00D801472S

(12) **United States Design Patent** (10) **Patent No.:** **US D801,472 S**
Zach et al. (45) **Date of Patent:** **** Oct. 31, 2017**

- (54) **APPLICATOR REFILL**
- (71) Applicant: **S. C. Johnson & Son, Inc.**, Racine, WI (US)
- (72) Inventors: **Steven A. Zach**, Waterford, WI (US);
Meghan Marie McGuire, Milwaukee, WI (US)
- (73) Assignee: **S. C. Johnson & Son, Inc.**, Racine, WI (US)
- (**) Term: **15 Years**
- (21) Appl. No.: **29/572,961**
- (22) Filed: **Aug. 1, 2016**
- (51) **LOC (10) Cl.** **23-01**
- (52) **U.S. Cl.**
USPC **D23/208; D9/517**
- (58) **Field of Classification Search**
USPC **D23/208; D9/517**
CPC **E03D 9/005; E03D 9/032; E03D 9/038**
See application file for complete search history.

- (56) **References Cited**
U.S. PATENT DOCUMENTS
- | | | | |
|--------------|---------|------------------|---------|
| D464,107 S * | 10/2002 | Holmes | D23/208 |
| D506,805 S * | 6/2005 | Nguyen | D23/208 |
| D537,722 S * | 3/2007 | Jaichandra | D9/517 |
| D538,164 S * | 3/2007 | Zach | D9/517 |
| D587,584 S * | 3/2009 | Jaichandra | D9/516 |
| D592,513 S * | 5/2009 | Zach | D9/517 |

- | | | | |
|----------------|---------|------------------|-------------------------|
| D596,033 S * | 7/2009 | Zach | D9/517 |
| 8,112,824 B2 * | 2/2012 | Spogardh | E03D 9/032
4/222 |
| 8,814,456 B2 * | 8/2014 | Schultz | B65D 83/0022
222/471 |
| D741,449 S * | 10/2015 | Washburn | D23/207 |
| 9,212,476 B2 * | 12/2015 | Muhlhausen | E03D 9/005 |
| D752,733 S * | 3/2016 | Zach | D23/208 |
| D766,398 S * | 9/2016 | Quaethem | D23/208 |
| D791,275 S * | 7/2017 | Muller | D23/208 |

* cited by examiner

Primary Examiner — Robin V Webster

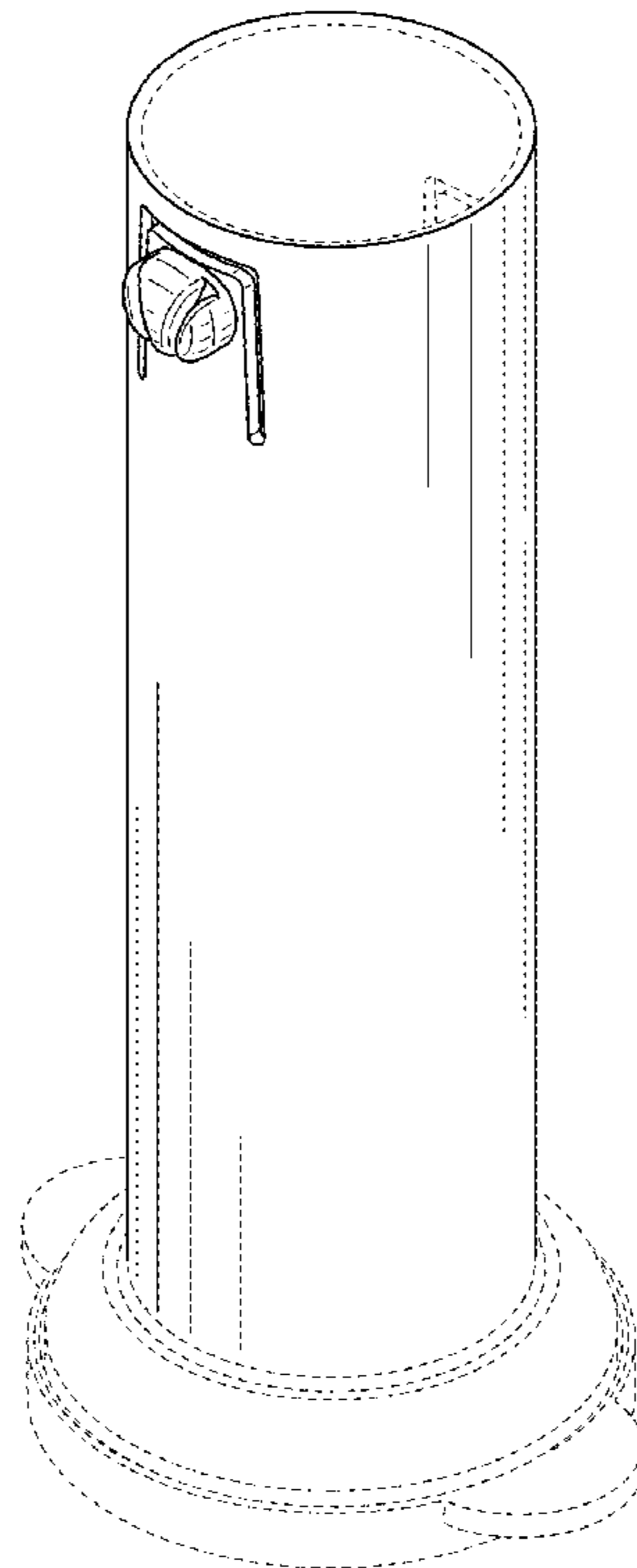
(57) **CLAIM**
The ornamental design for an applicator refill, as shown and described.

DESCRIPTION

FIG. 1 is a top, front, right perspective view of an applicator refill showing our new design;
 FIG. 2 is a front view thereof;
 FIG. 3 is a rear view thereof;
 FIG. 4 is a right side view thereof;
 FIG. 5 is a left side view thereof;
 FIG. 6 is a top view thereof; and,
 FIG. 7 is a bottom view thereof.

The broken lines immediately adjacent to the shaded area represent unclaimed boundaries of the design. The unshaded regions form no part of the claimed design. The broken lines showing the remainder of the applicator refill are for environmental purposes only and form no part of the claimed design.

1 Claim, 4 Drawing Sheets



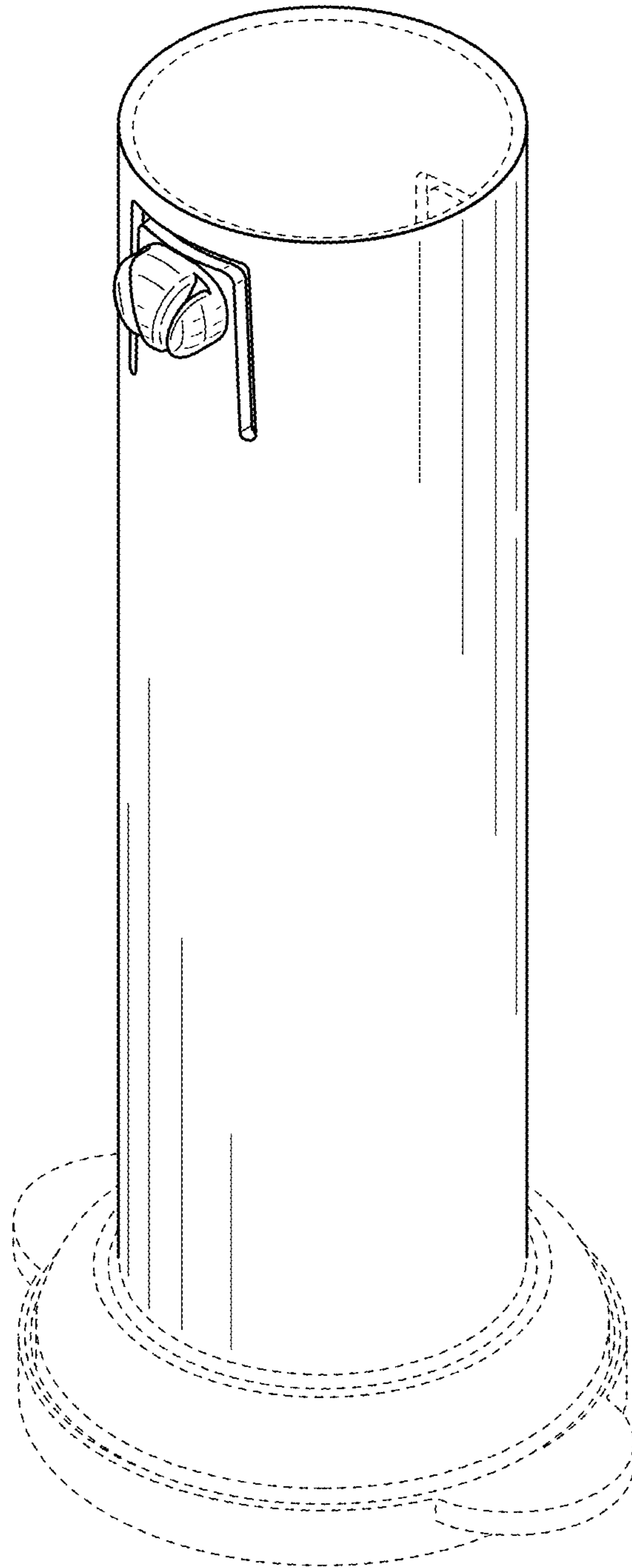


FIG. 1

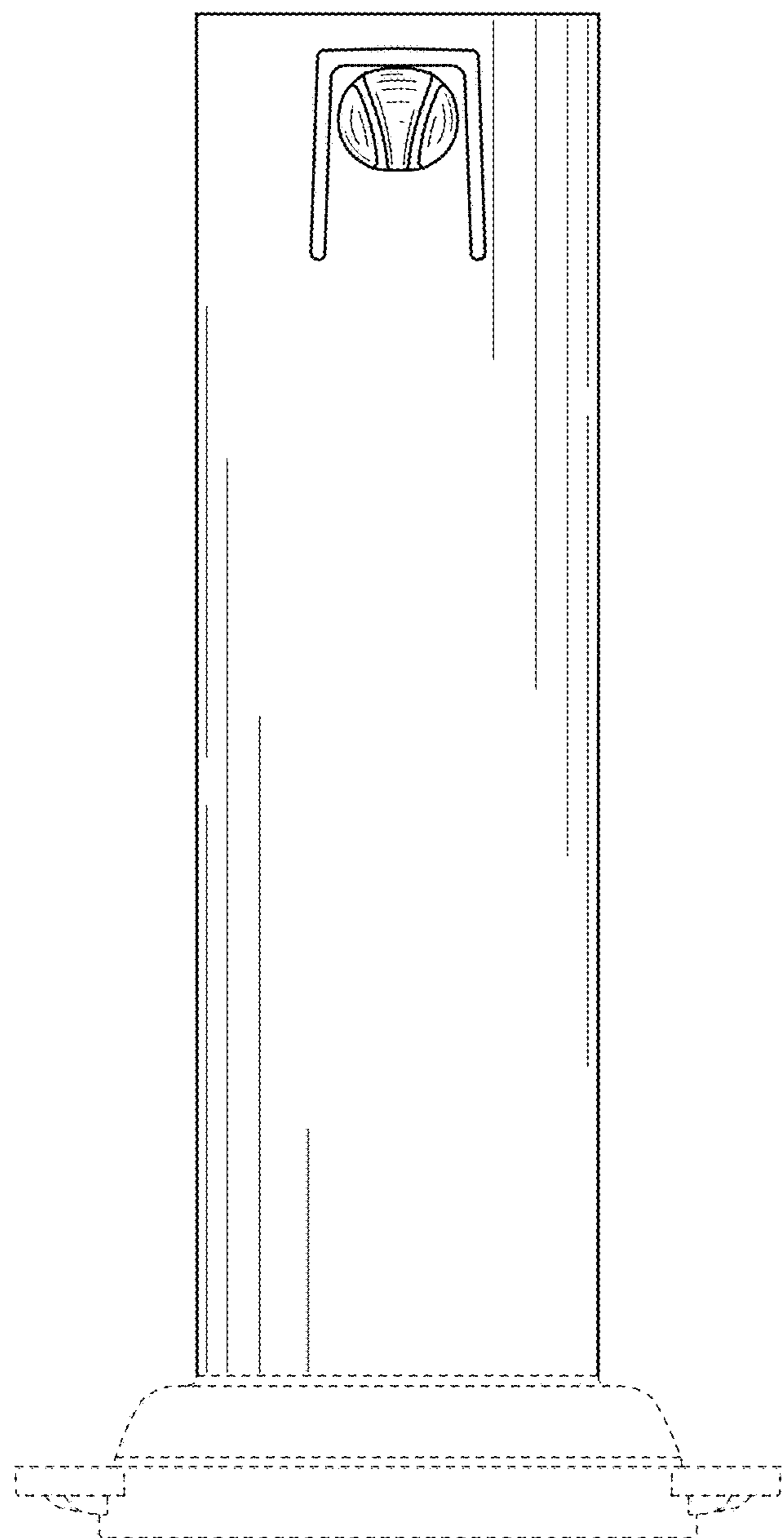


FIG. 2

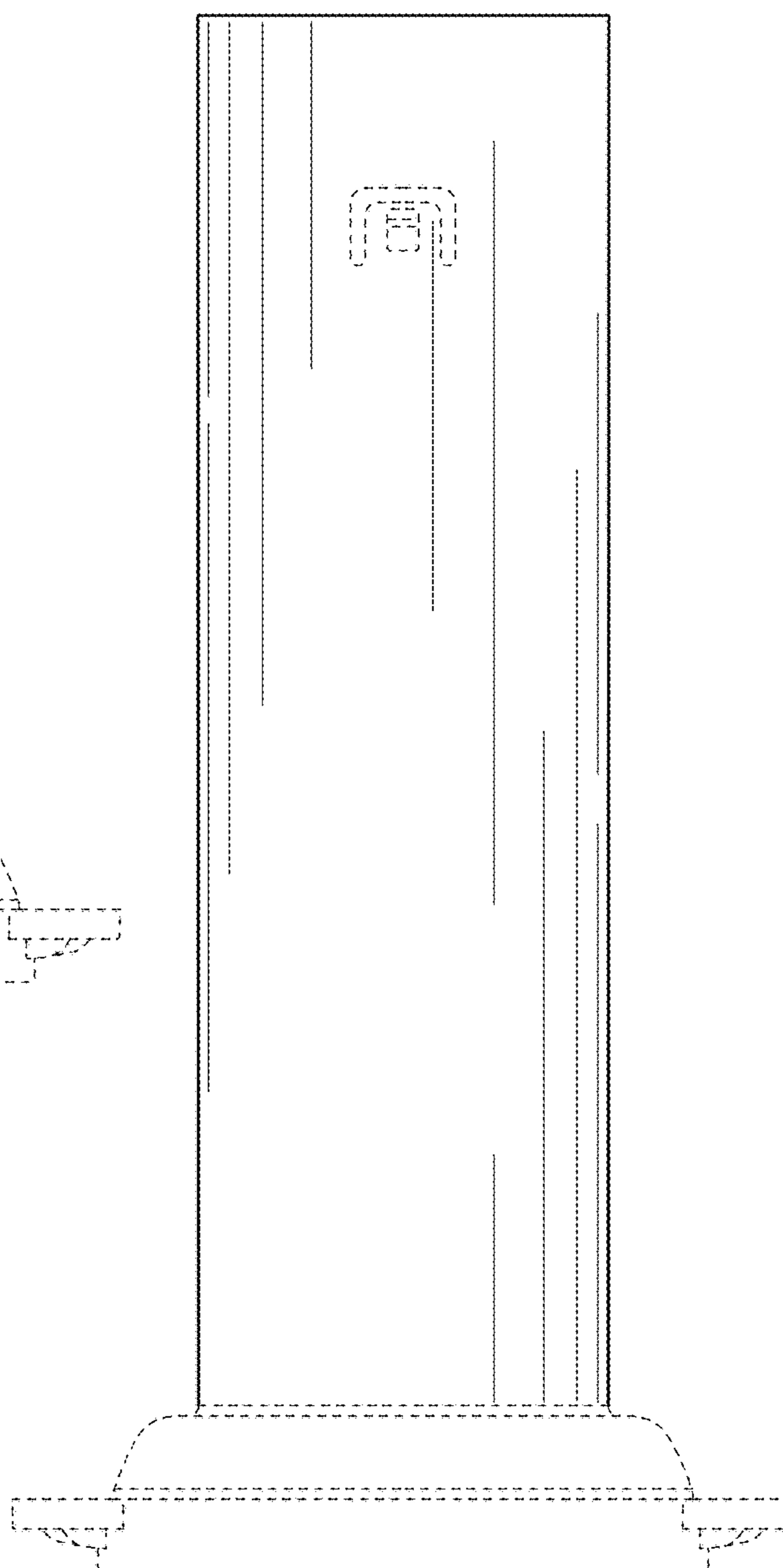


FIG. 3

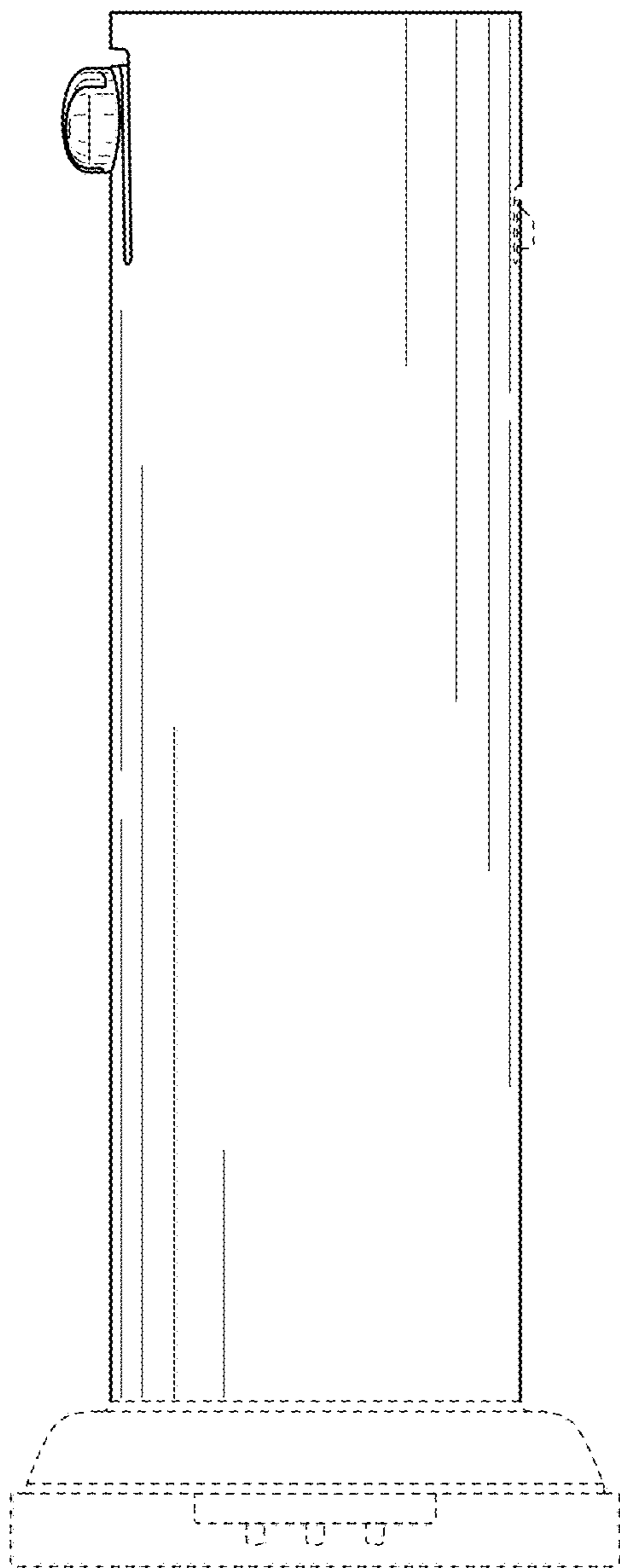


FIG. 4

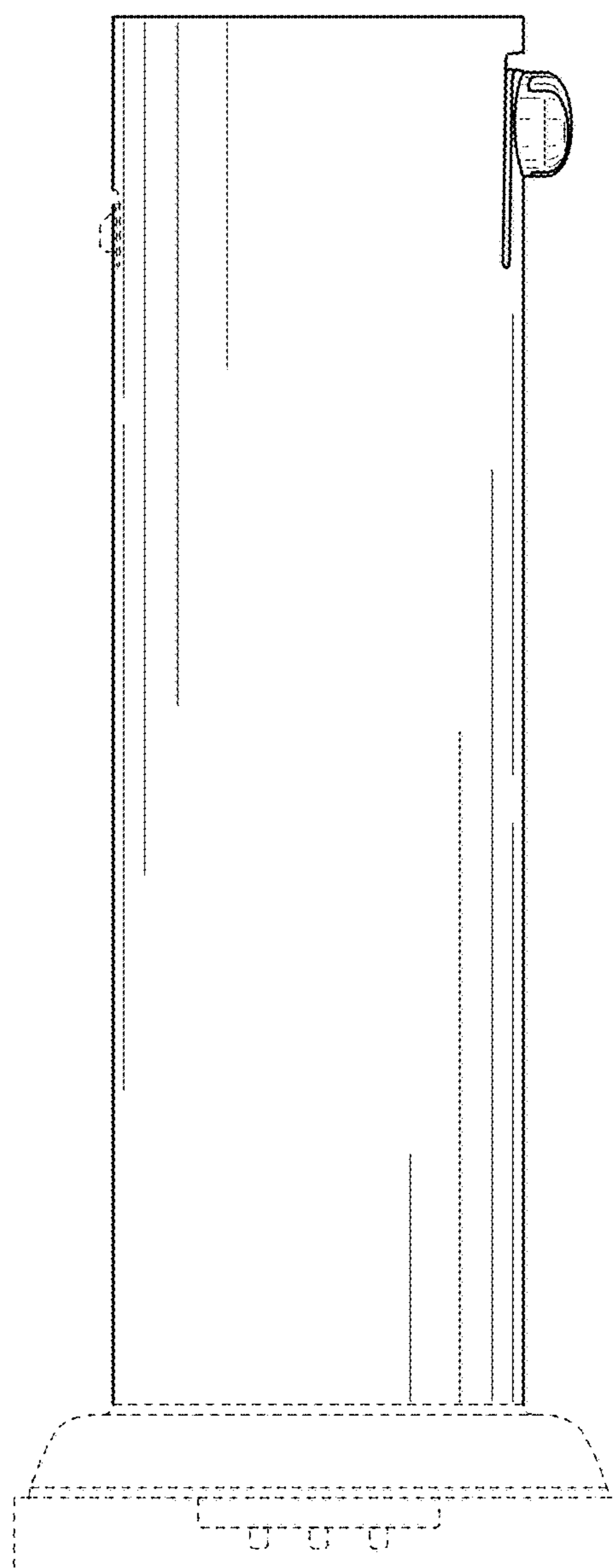


FIG. 5

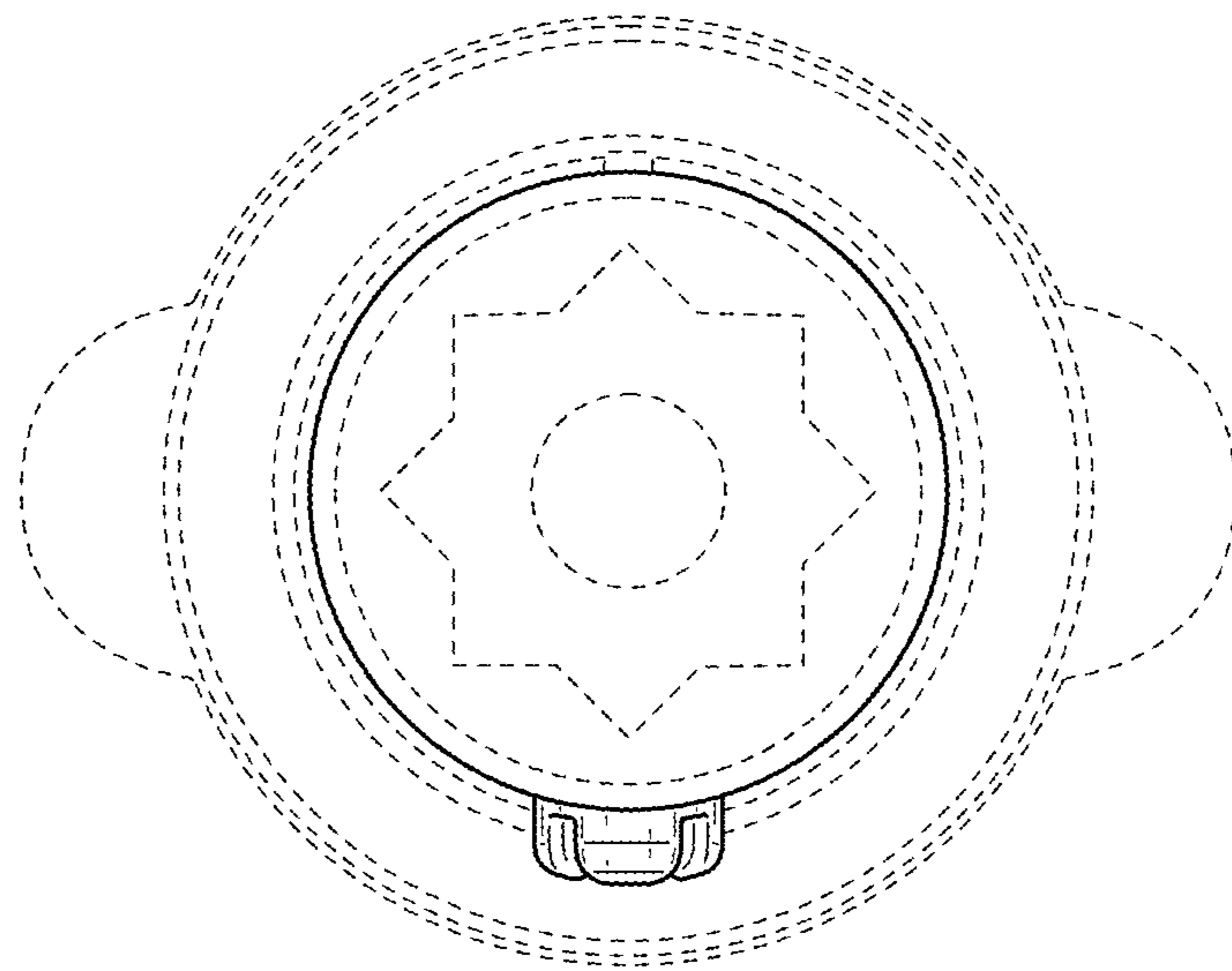


FIG. 6

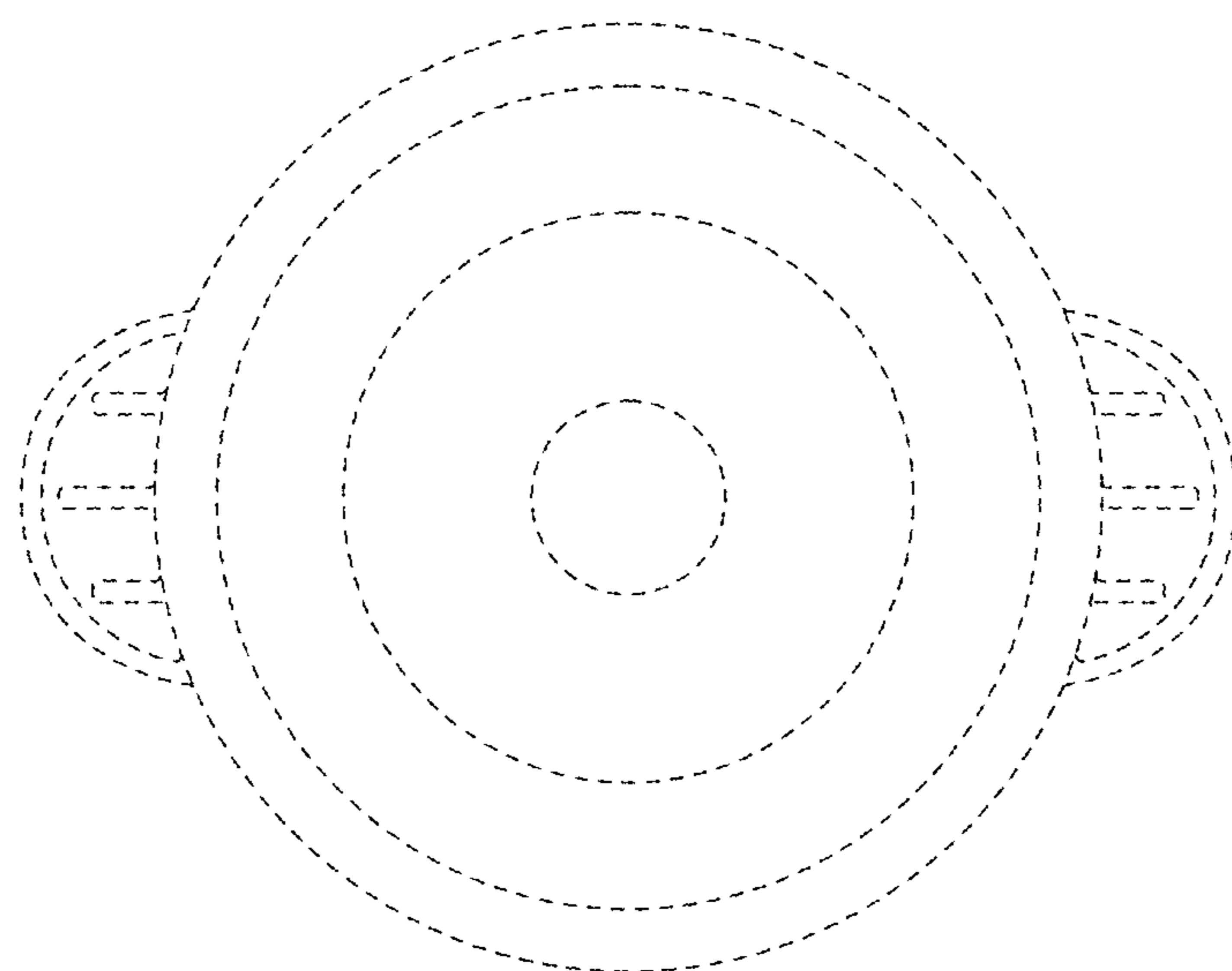


FIG. 7