



US00D801471S

(12) **United States Design Patent**
Zach et al.

(10) **Patent No.:** **US D801,471 S**
(45) **Date of Patent:** **** Oct. 31, 2017**

- (54) **APPLICATOR**
- (71) Applicant: **S. C. Johnson & Son, Inc.**, Racine, WI (US)
- (72) Inventors: **Steven A. Zach**, Waterford, WI (US);
Meghan Marie McGuire, Milwaukee, WI (US)
- (73) Assignee: **S. C. Johnson & Son, Inc.**, Racine, WI (US)
- (**) Term: **15 Years**
- (21) Appl. No.: **29/572,958**
- (22) Filed: **Aug. 1, 2016**
- (51) **LOC (10) Cl.** **23-01**
- (52) **U.S. Cl.**
USPC **D23/208**; D9/517
- (58) **Field of Classification Search**
USPC D23/208; D9/517
CPC E03D 9/005; E03D 9/032; E03D 9/038
See application file for complete search history.

- D596,033 S * 7/2009 Zach D9/517
- 8,112,824 B2 * 2/2012 Spogardh E03D 9/032
4/222
- 8,814,456 B2 * 8/2014 Schultz B65D 83/0022
222/471
- D741,449 S * 10/2015 Washburn D23/207
- 9,212,476 B2 * 12/2015 Muhlhausen E03D 9/005
- D752,733 S * 3/2016 Zach D23/208
- D766,398 S * 9/2016 Quaethem D23/208
- D791,275 S * 7/2017 Muller D23/208

* cited by examiner

Primary Examiner — Robin V Webster

(57) **CLAIM**

The ornamental design for an applicator, as shown and described.

DESCRIPTION

FIG. 1 is a top, front, right perspective view of an applicator showing our new design;
FIG. 2 is a front view thereof;
FIG. 3 is a rear view thereof;
FIG. 4 is a right side view thereof;
FIG. 5 is a left side view thereof;
FIG. 6 is a top view thereof; and,
FIG. 7 is a bottom view thereof.

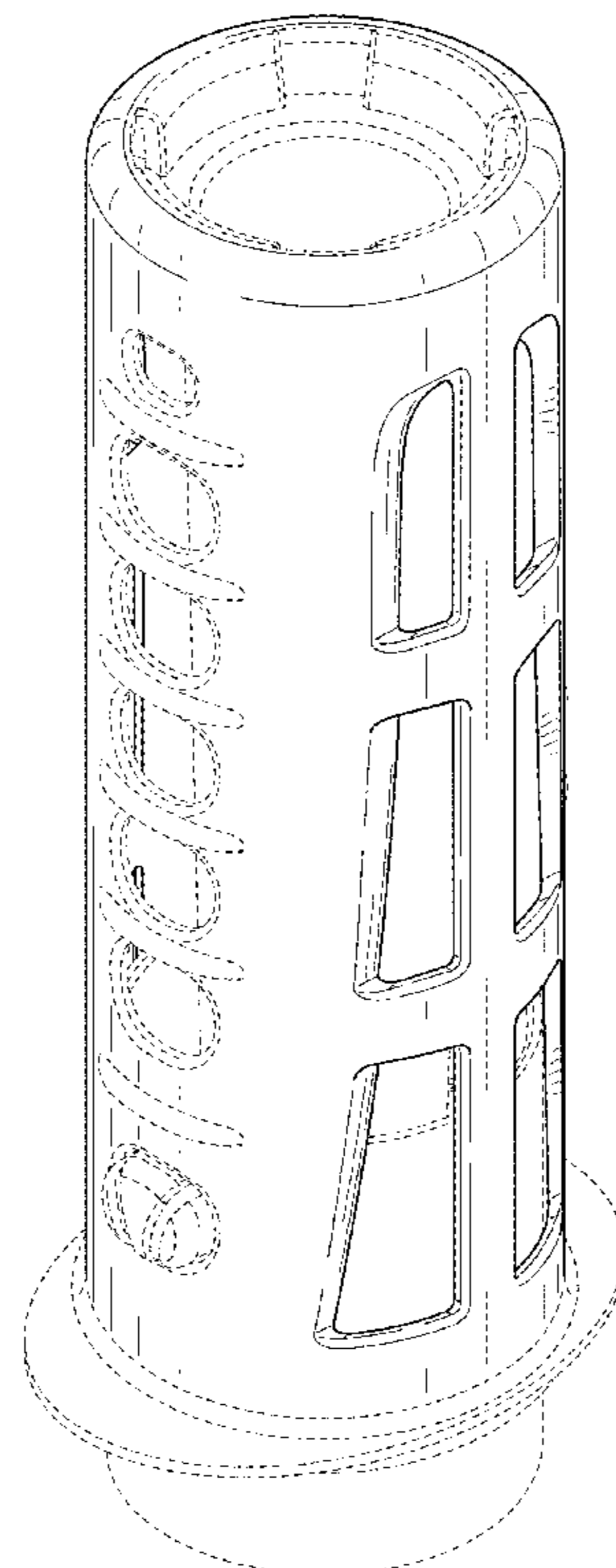
The broken lines immediately adjacent to the shaded area represent unclaimed boundaries of the design. The unshaded regions within the shaded area form no part of the claimed design. The broken lines showing the remainder of the applicator are for environmental purposes only and form no part of the claimed design.

1 Claim, 4 Drawing Sheets

(56) **References Cited**

U.S. PATENT DOCUMENTS

- D464,107 S * 10/2002 Holmes D23/208
- D506,805 S * 6/2005 Nguyen D23/208
- D537,722 S * 3/2007 Jaichandra D9/517
- D538,164 S * 3/2007 Zach D9/517
- D587,584 S * 3/2009 Jaichandra D9/516
- D592,513 S * 5/2009 Zach D9/517



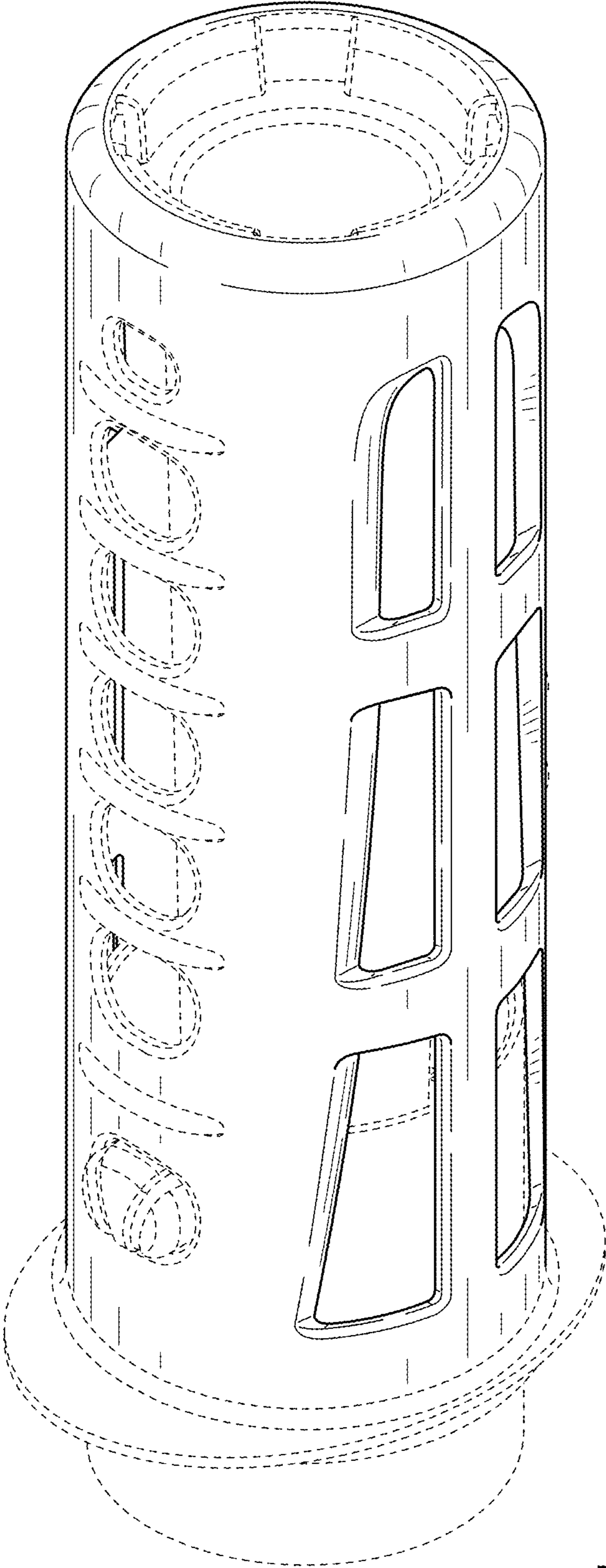


FIG. 1

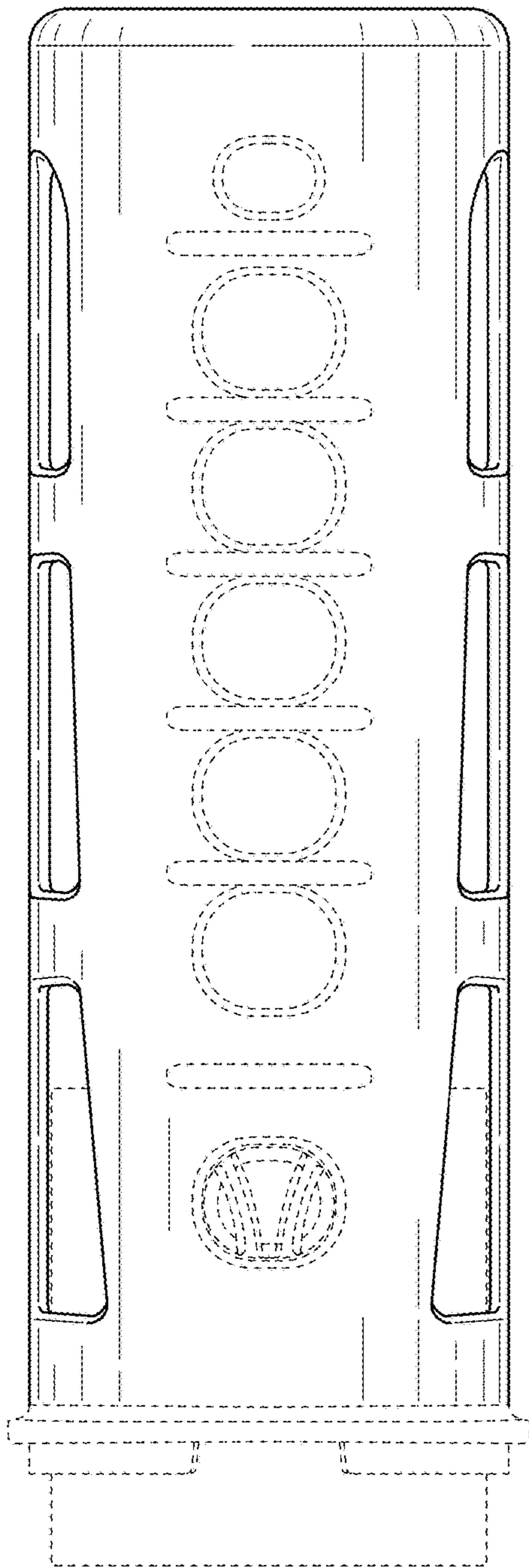


FIG. 2

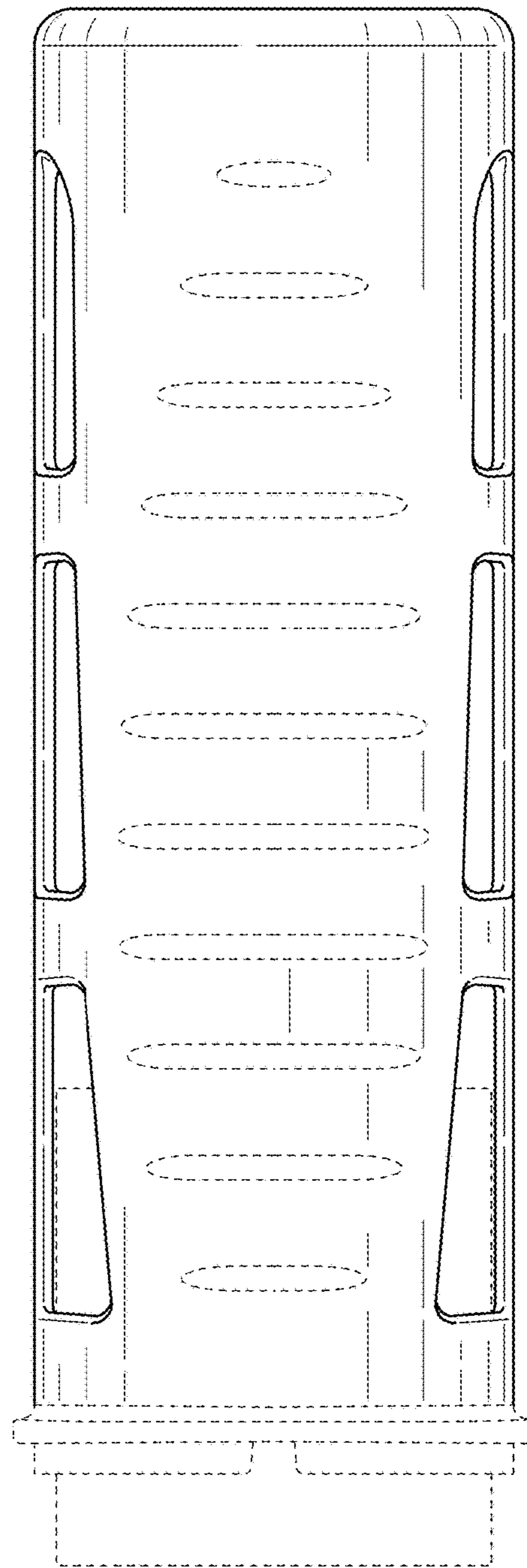


FIG. 3

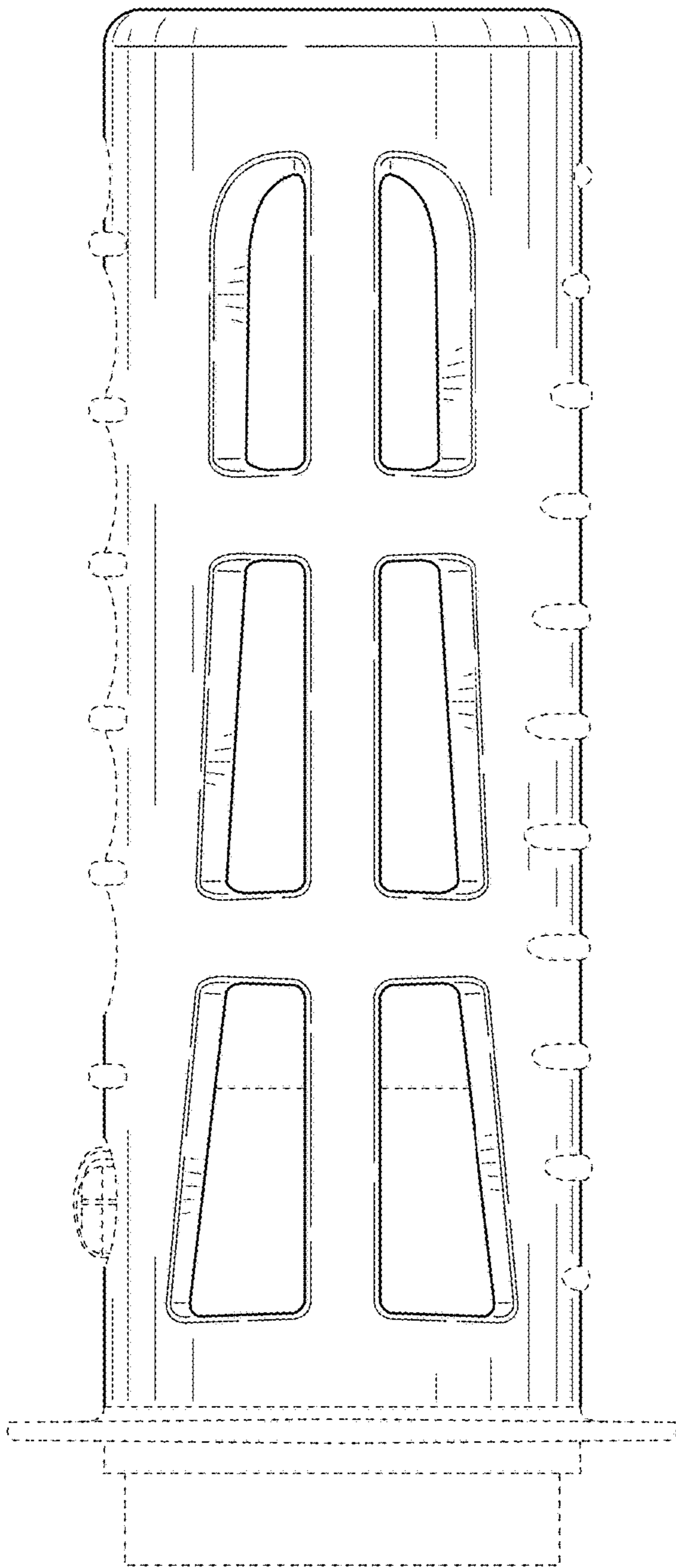


FIG. 4

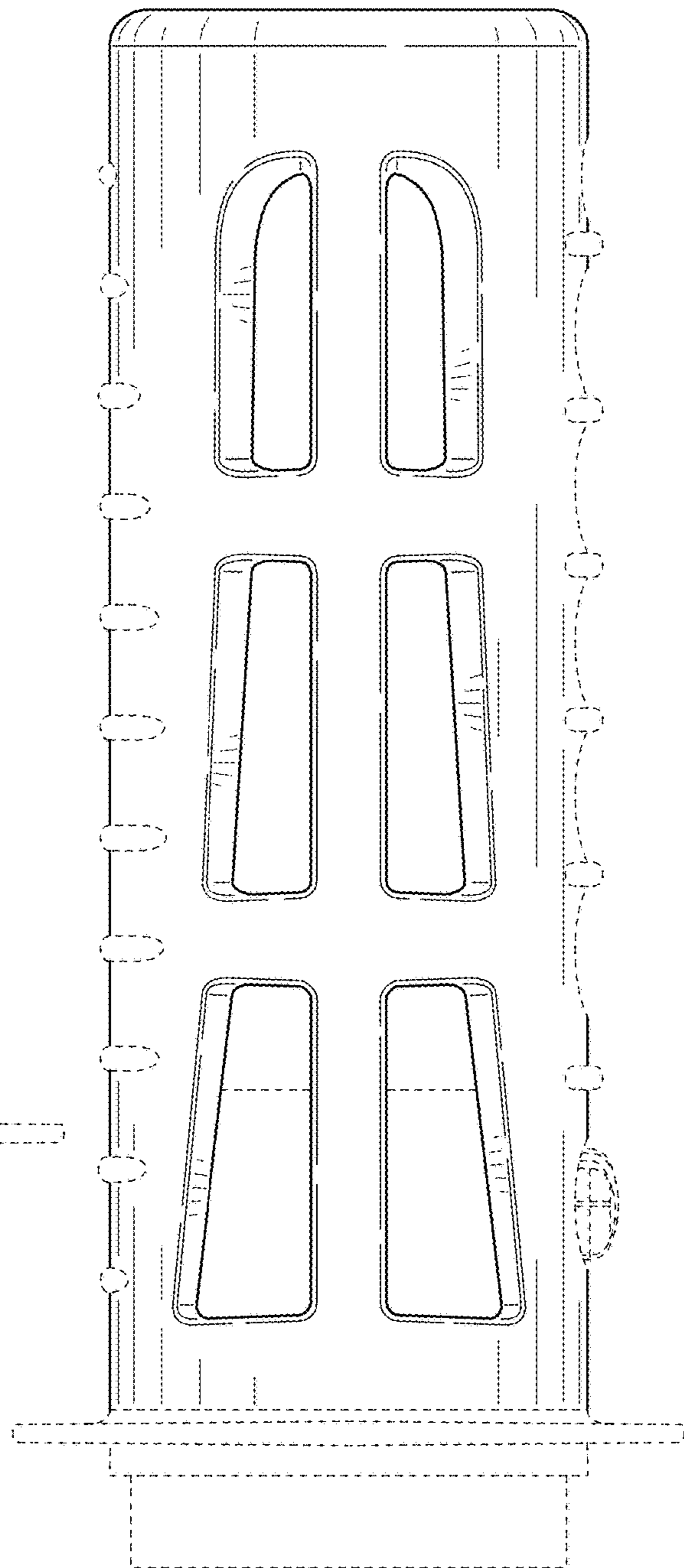


FIG. 5

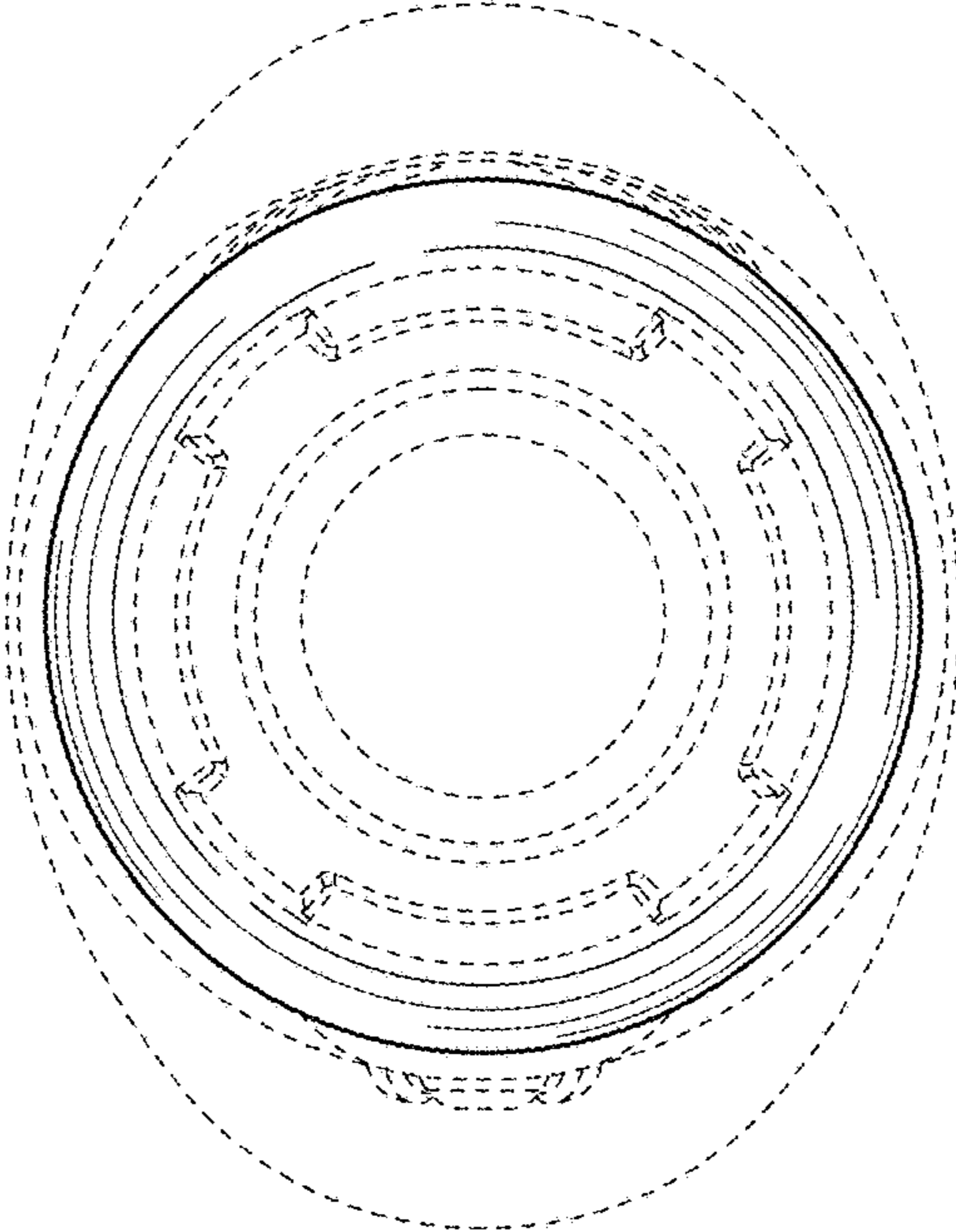


FIG. 6

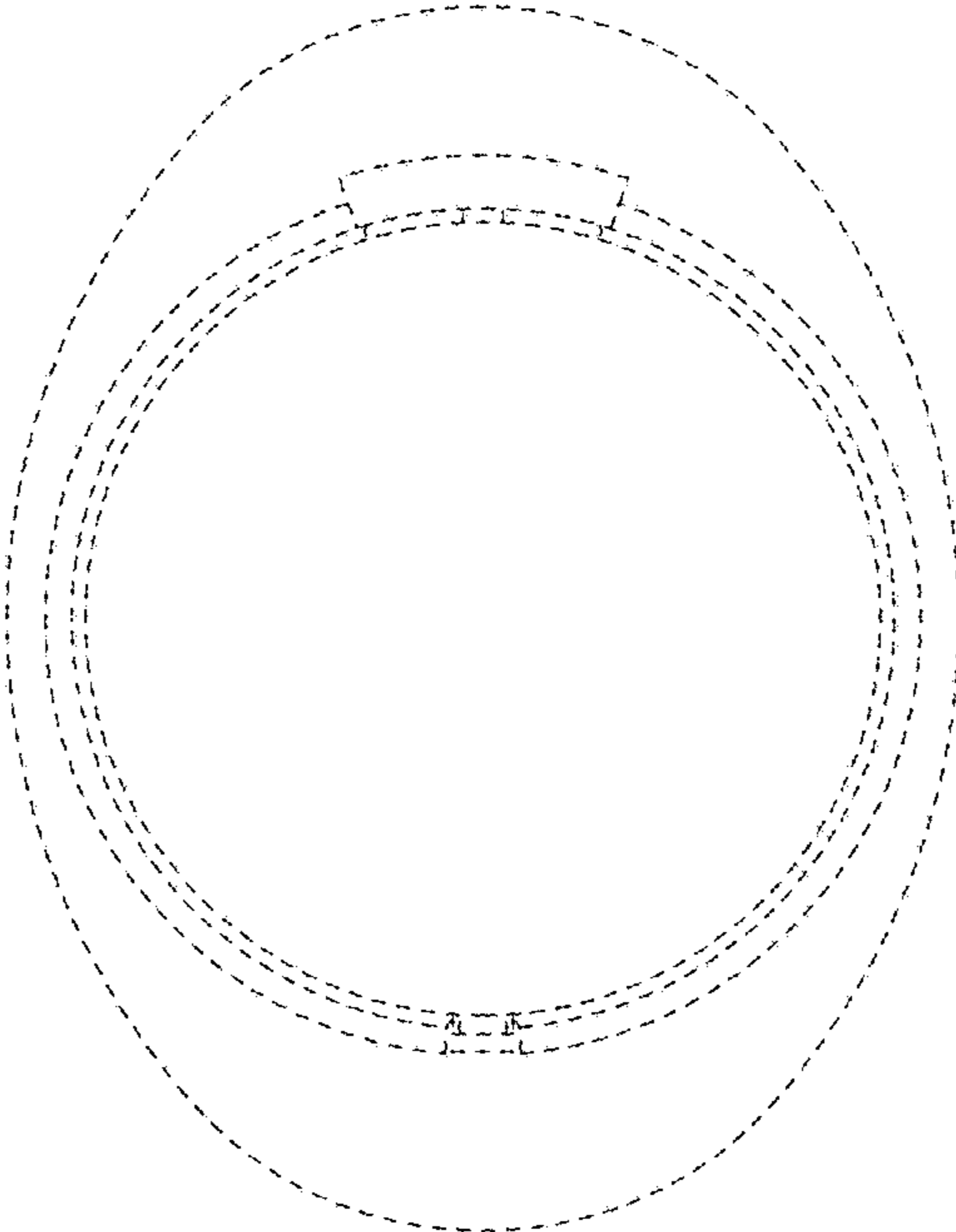


FIG. 7