



US00D801459S

(12) **United States Design Patent** (10) **Patent No.:** **US D801,459 S**  
**Rollinson et al.** (45) **Date of Patent:** **\*\* Oct. 31, 2017**

(54) **PUTTER HEAD**

(71) Applicant: **Callaway Golf Company**, Carlsbad, CA (US)

(72) Inventors: **Augustin W. Rollinson**, Carlsbad, CA (US); **Gioacchino Glorioso**, Valley Center, CA (US)

(73) Assignee: **Callaway Golf Company**, Carlsbad, CA (US)

(\*\*) Term: **15 Years**

(21) Appl. No.: **29/576,402**

(22) Filed: **Sep. 2, 2016**

(51) **LOC (10) Cl.** ..... **21-02**

(52) **U.S. Cl.**  
USPC ..... **D21/746**

(58) **Field of Classification Search**  
USPC ..... D21/736-746, 759  
CPC ..... A63B 53/00; A63B 53/04; A63B 53/007; A63B 53/065; A63B 53/0487; A63B 60/00; A63B 60/46  
See application file for complete search history.

D591,807 S *	5/2009	Rollinson	.....	D21/744
D595,373 S *	6/2009	Kim	.....	D21/744
D688,341 S *	8/2013	Rollinson	.....	D21/746
D691,226 S *	10/2013	Hilton	.....	D21/746
D701,274 S *	3/2014	Rollinson	.....	D21/736
D704,782 S *	5/2014	Rollinson	.....	D21/736
D728,715 S *	5/2015	Cameron	.....	D21/736
D730,464 S *	5/2015	Cameron	.....	D21/743
D731,605 S *	6/2015	Rollinson	.....	D21/736
D768,248 S *	10/2016	Rollinson	.....	D21/744
D773,573 S *	12/2016	Abbott	.....	D21/744
D776,771 S *	1/2017	Peterson	.....	D21/744
D777,270 S *	1/2017	Rollinson	.....	D21/744

\* cited by examiner

*Primary Examiner* — Mitchell Siegel  
 (74) *Attorney, Agent, or Firm* — Rebecca Hanovice; Michael Catania; Sonia Lari

(57) **CLAIM**

The ornamental design for a putter head, as shown and described.

**DESCRIPTION**

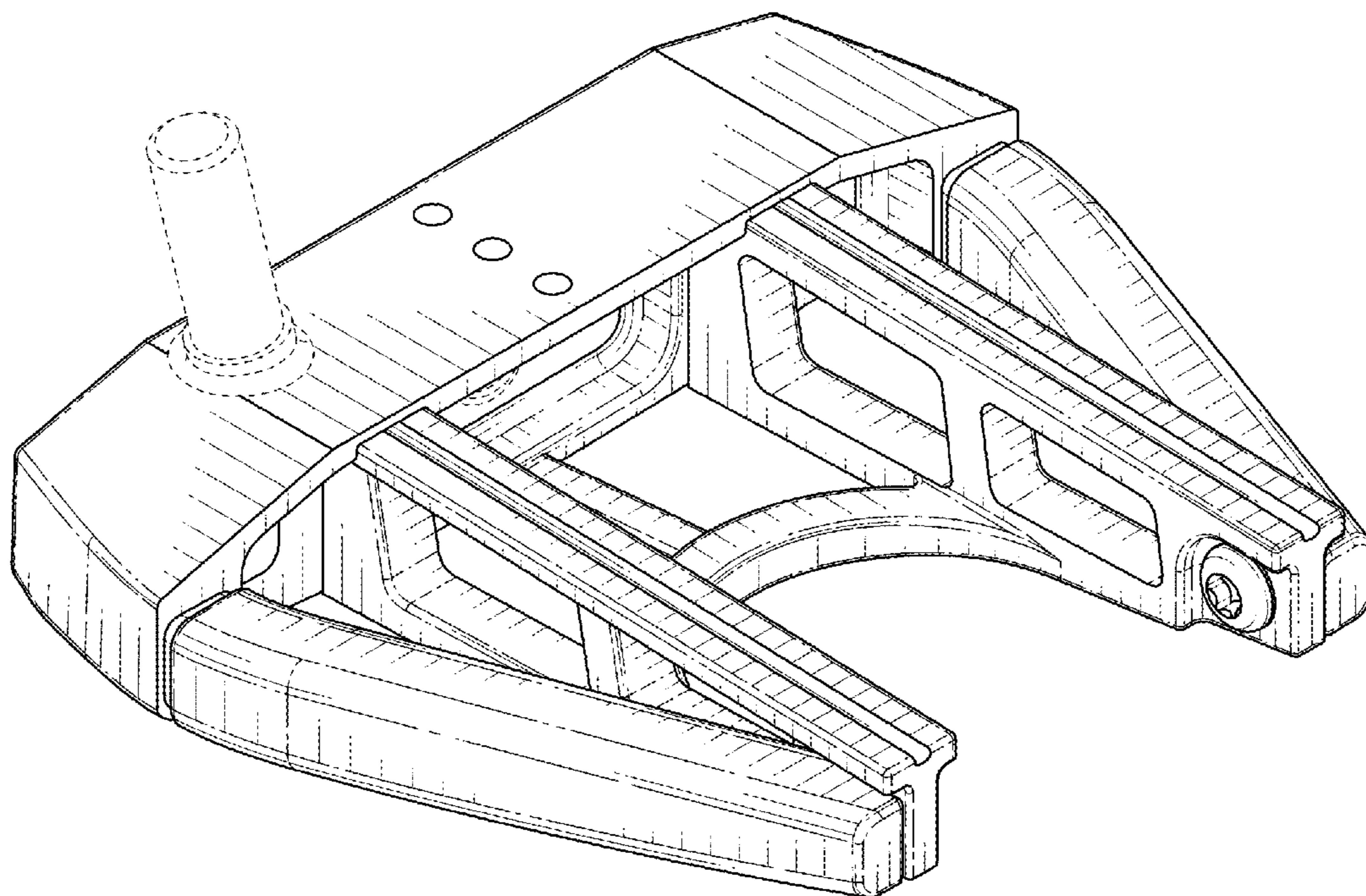
FIG. 1 is a rear perspective view of the putter head claimed herein;  
 FIG. 2 is a rear elevational view thereof;  
 FIG. 3 is a front elevational view thereof;  
 FIG. 4 is a right side elevational view thereof;  
 FIG. 5 is a left side elevational view thereof;  
 FIG. 6 is a top plan view thereof; and,  
 FIG. 7 is a bottom plan view thereof.  
 The broken lines are included for the purpose of illustration and form no part of the claimed design.

**1 Claim, 5 Drawing Sheets**

(56) **References Cited**

U.S. PATENT DOCUMENTS

D532,845 S *	11/2006	Rollinson	.....	D21/736
D574,908 S *	8/2008	Hettinger	.....	D21/743
D582,497 S *	12/2008	Rollinson	.....	D21/744
D589,575 S *	3/2009	Kim	.....	D21/744
D590,461 S *	4/2009	Kim	.....	D21/743



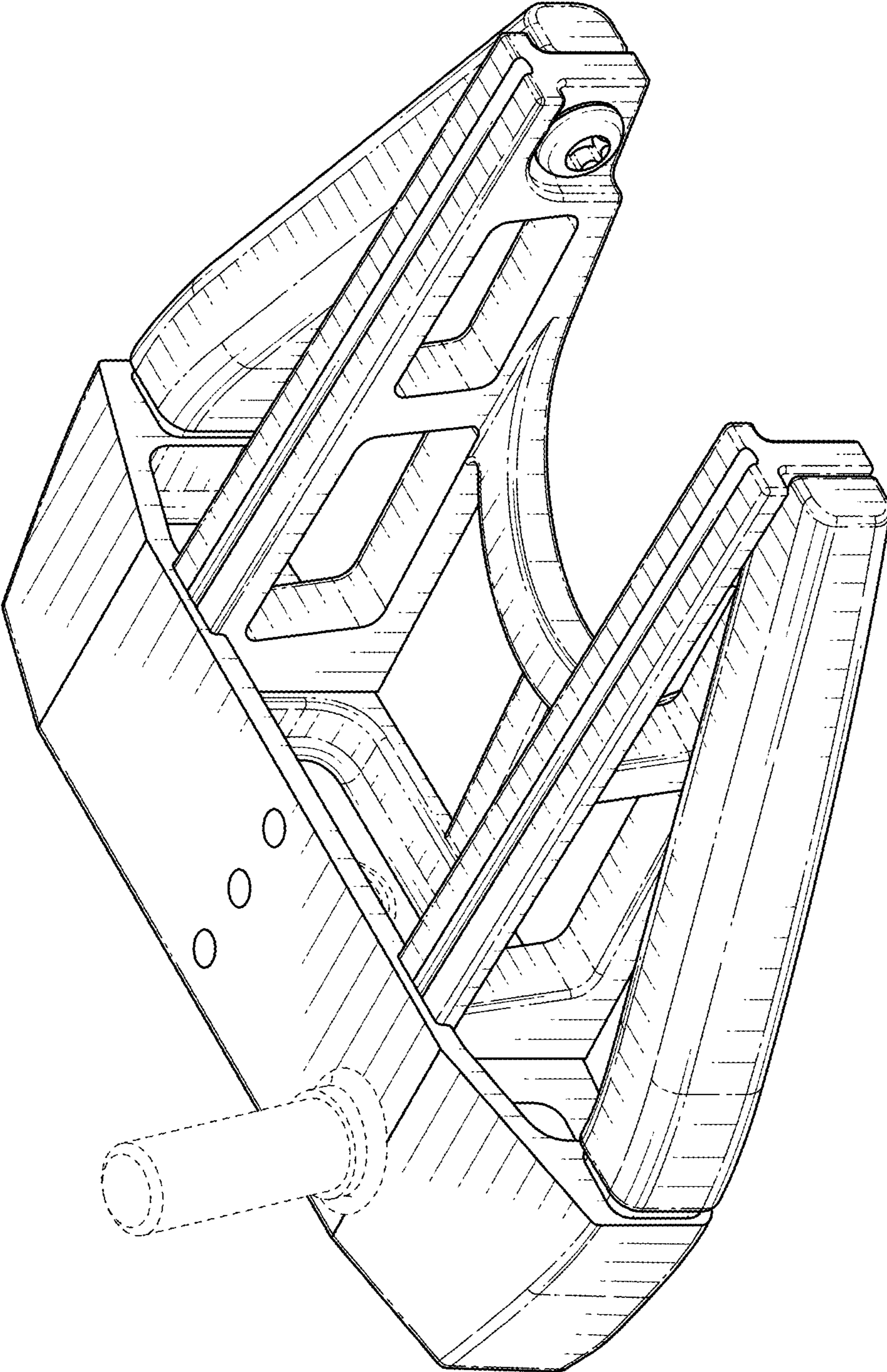


FIG. 1

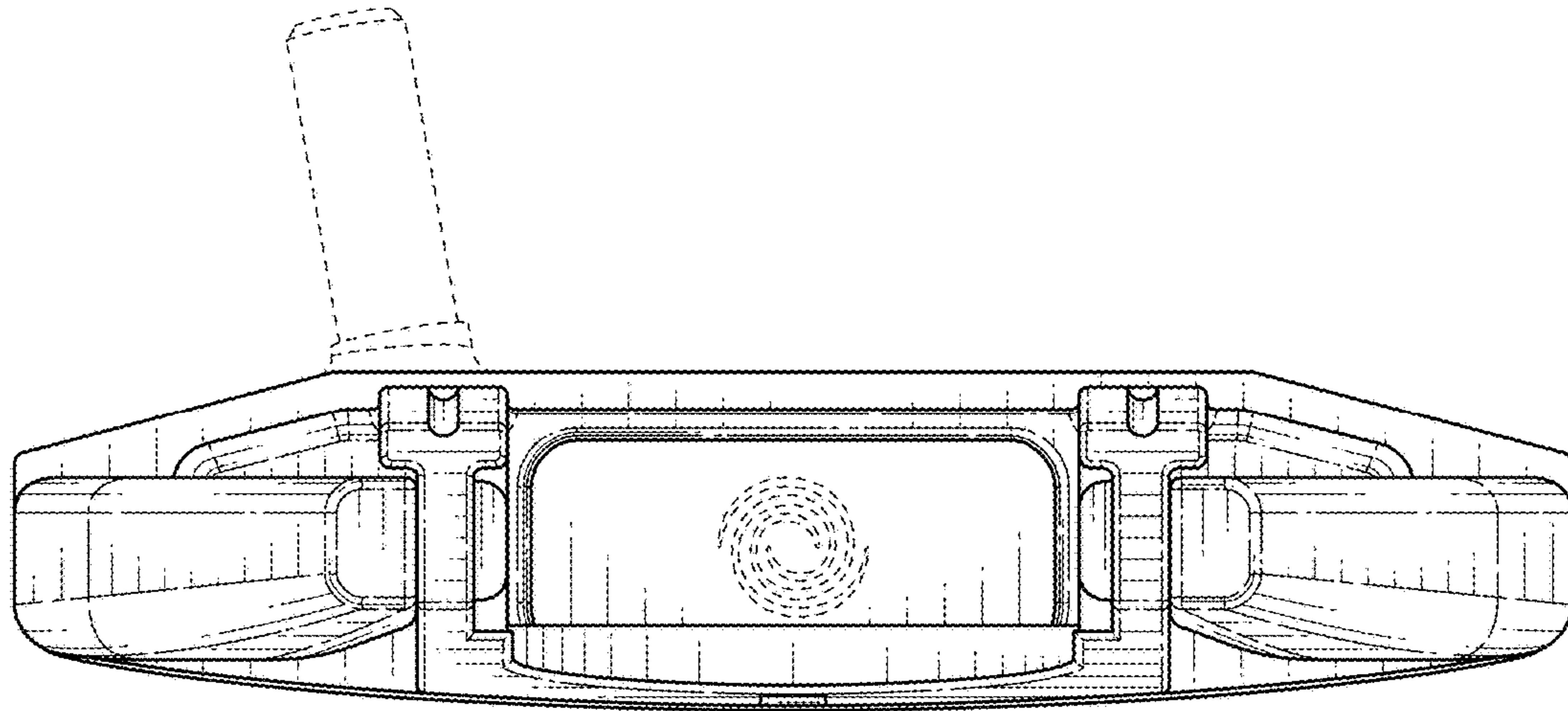


FIG. 2

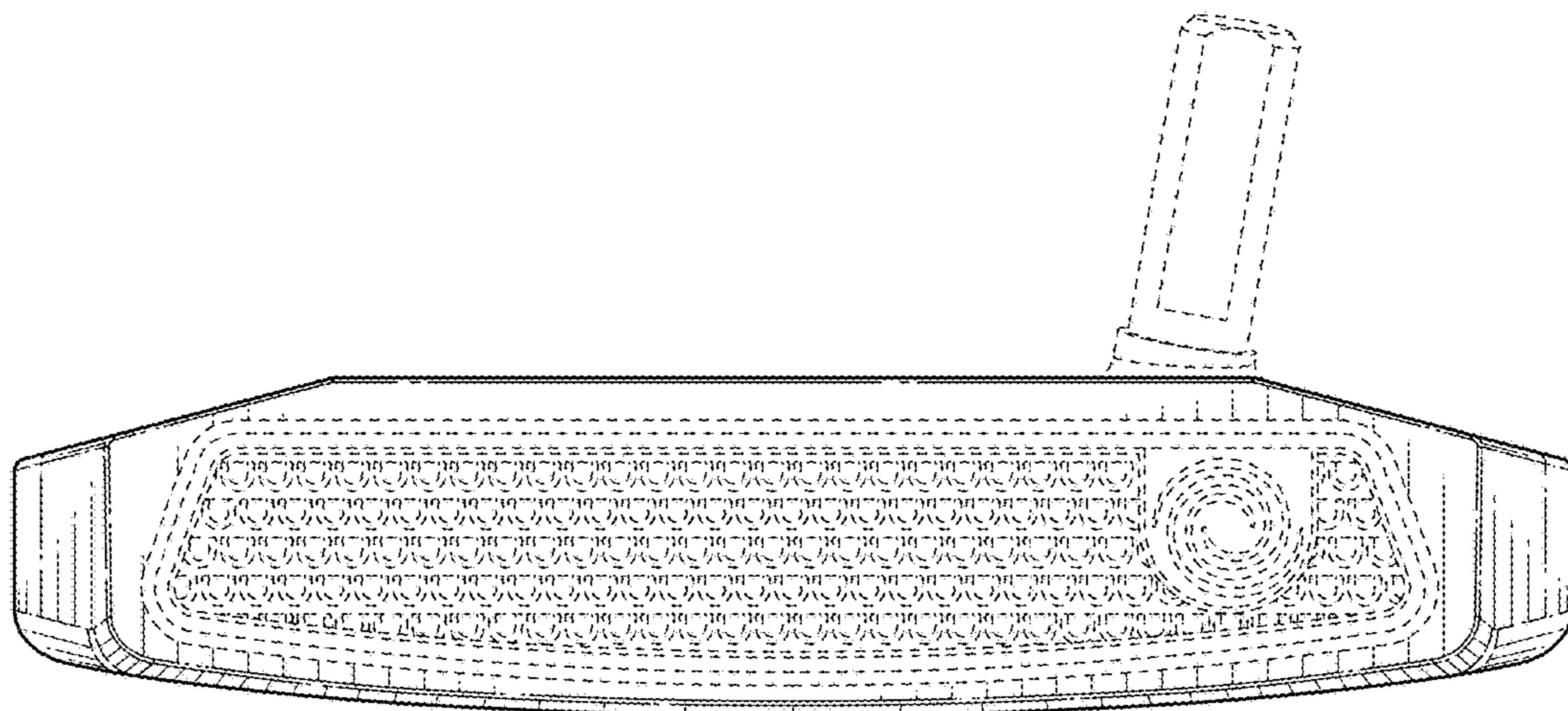


FIG. 3

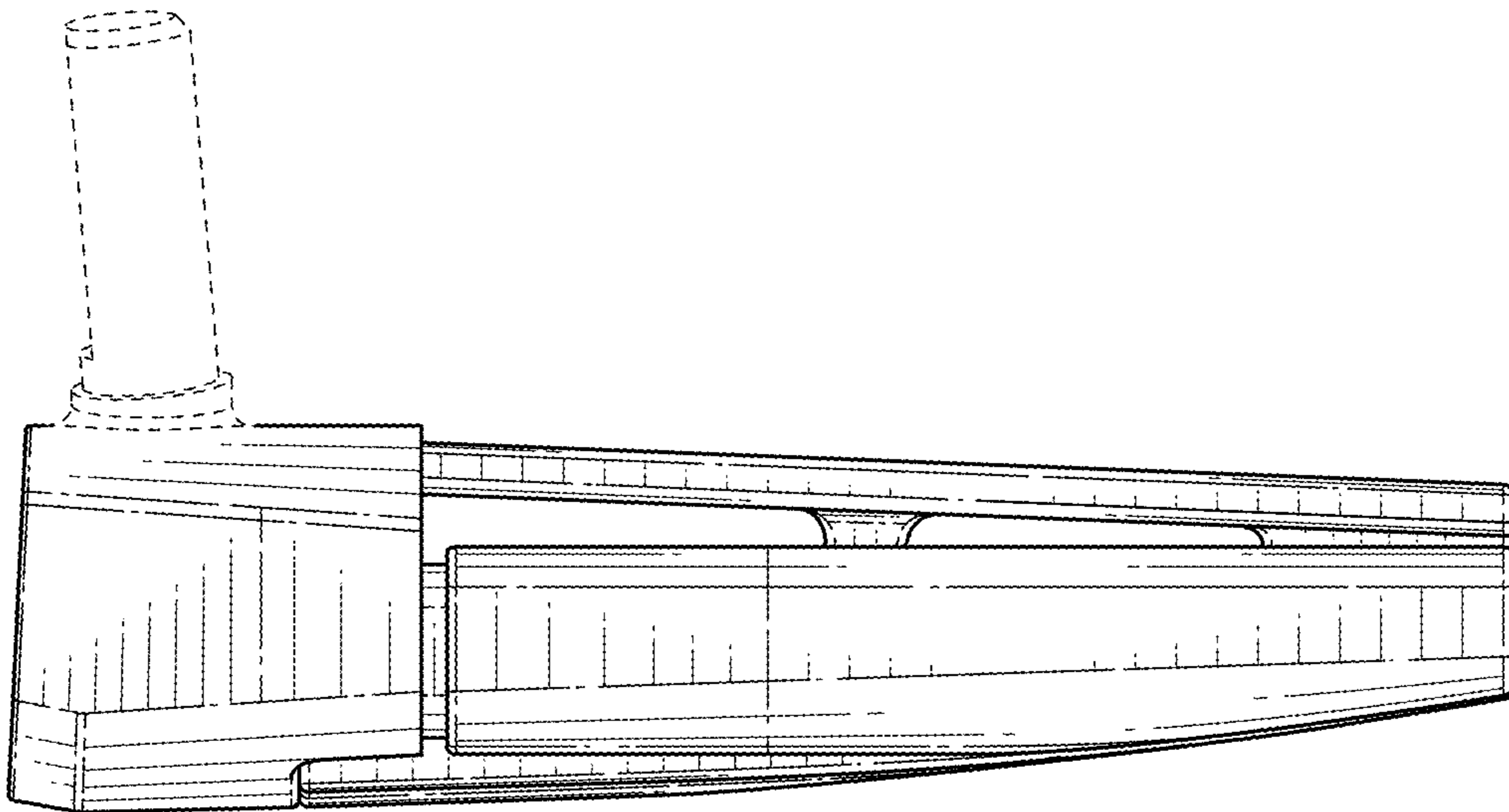


FIG. 4

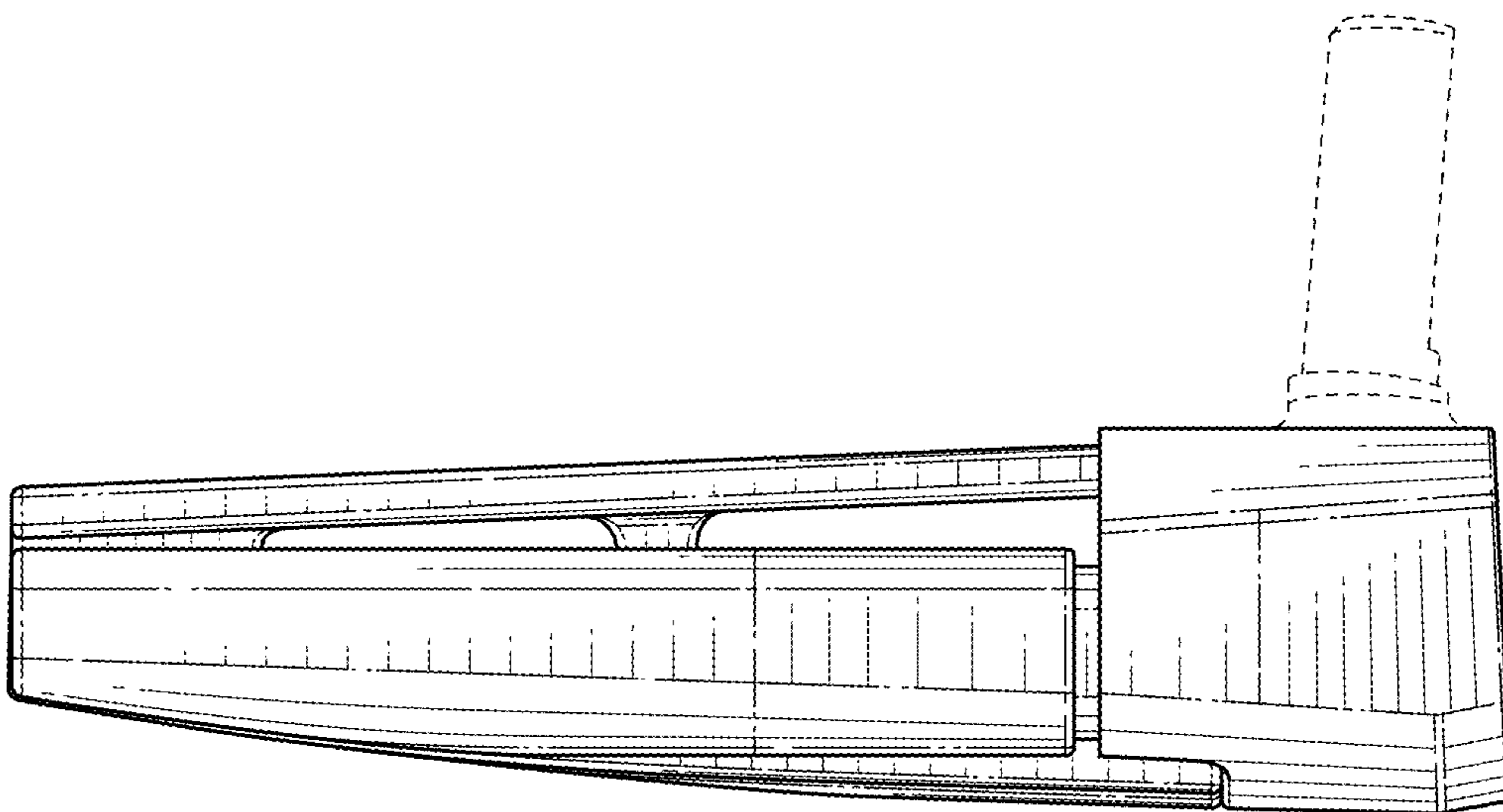


FIG. 5

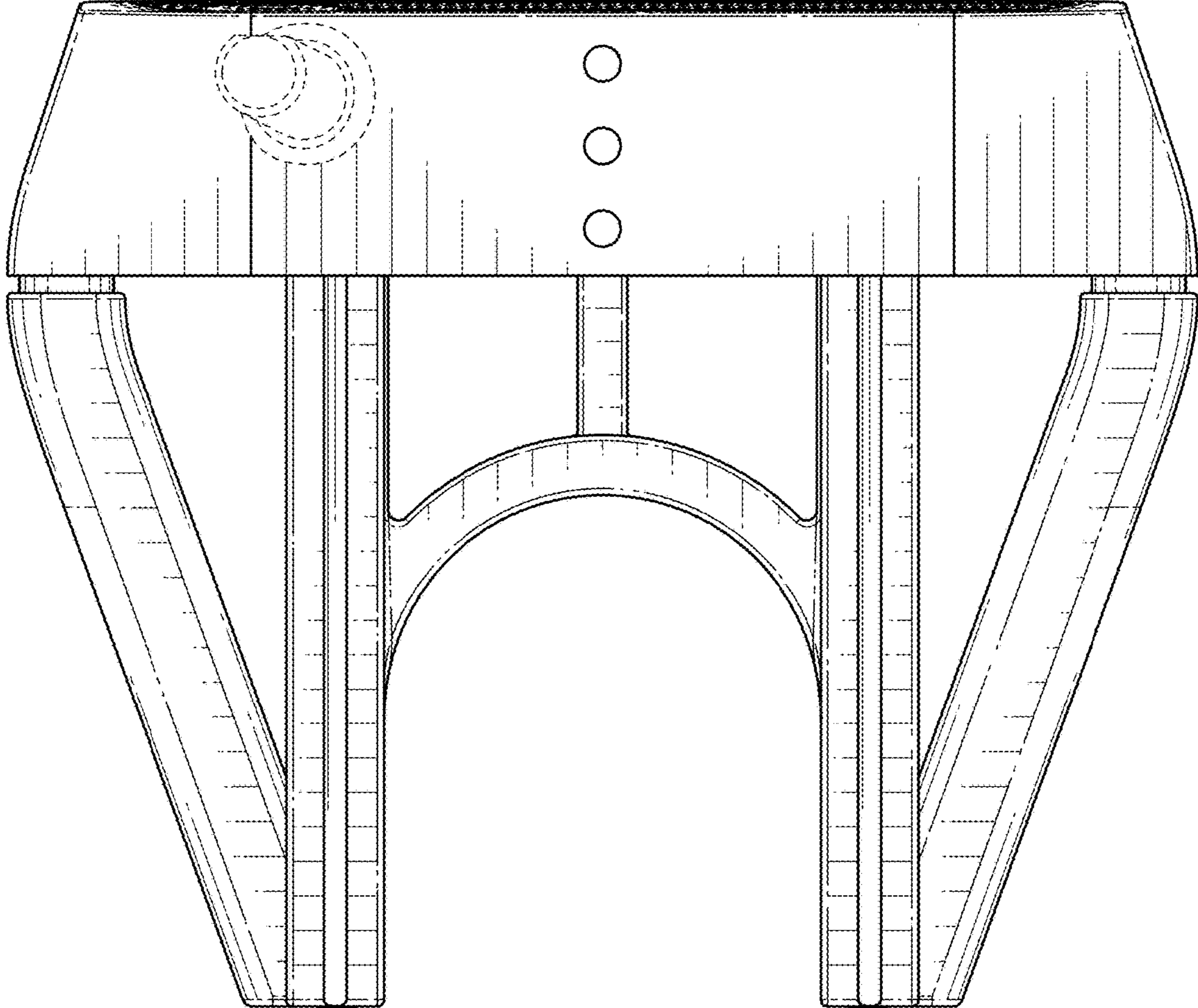


FIG. 6

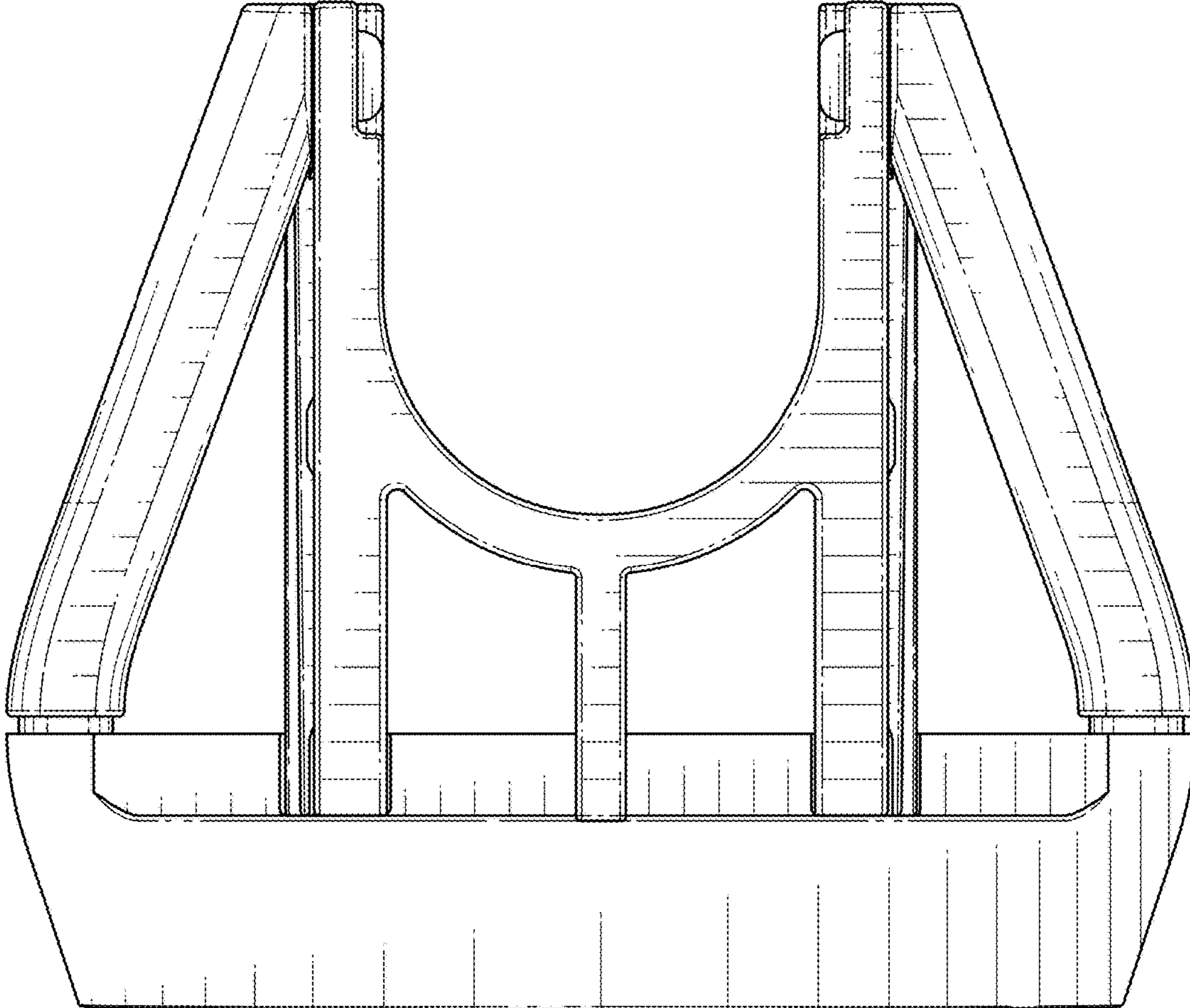


FIG. 7