



US00D801456S

(12) **United States Design Patent**
Simon

(10) **Patent No.:** **US D801,456 S**
(45) **Date of Patent:** **** Oct. 31, 2017**

- (54) **HOCKEY TRAINING DEVICE**
- (71) Applicant: **Thomas Chapman Simon**, Manchester, NH (US)
- (72) Inventor: **Thomas Chapman Simon**, Manchester, NH (US)
- (**) Term: **15 Years**
- (21) Appl. No.: **29/595,633**
- (22) Filed: **Mar. 1, 2017**

Related U.S. Application Data

- (63) Continuation of application No. 14/688,670, filed on Apr. 16, 2015, now Pat. No. 9,636,561.
- (51) **LOC (10) Cl.** **21-02**
- (52) **U.S. Cl.**
USPC **D21/698**
- (58) **Field of Classification Search**
USPC D21/686, 694, 698, 699, 727, 791, 792;
D6/582, 583; 473/415, 416, 422, 431,
473/434, 435, 446, 471, 449, 458, 472
CPC . A63B 69/00; A63B 69/0024; A63B 69/0026;
A63B 69/0097; A63B 63/004; A63B
63/007; A63B 2102/22; A63B 2102/24
See application file for complete search history.

(56) **References Cited**

U.S. PATENT DOCUMENTS

- 4,607,842 A * 8/1986 Daoust A63B 24/0021
124/51.1
- 4,886,274 A * 12/1989 Park A63B 69/3661
473/164
- D312,117 S * 11/1990 Duncan D21/792
- D321,918 S * 11/1991 Blanchard D21/686
- 5,076,571 A * 12/1991 Croce, Jr. A63B 69/0022
472/90

- 5,161,799 A * 11/1992 Nandra A63B 69/0026
473/194
- D349,139 S * 7/1994 Markland D21/686
- D351,876 S * 10/1994 Koblick D21/686
- 5,351,960 A 10/1994 Knapp
- 5,393,282 A * 2/1995 Maclean A63B 69/0022
482/51
- 6,099,420 A * 8/2000 Nandra A63B 69/0026
473/446
- 6,364,790 B1 4/2002 Carrie
- D513,774 S * 1/2006 Nudo D21/698
- D633,158 S * 2/2011 Brusckke D21/662
- D637,669 S * 5/2011 McKinney D21/722
- D674,226 S * 1/2013 Greenwald D6/582
- 8,469,841 B1 6/2013 Giauque
- D700,669 S * 3/2014 Salvador D21/698
- 8,858,402 B2 * 10/2014 Brusckke A63B 22/20
482/123
- D765,194 S * 8/2016 Tarnstrom D21/698
- D771,761 S * 11/2016 McKinney D21/722

(Continued)

Primary Examiner — Catherine A Tuttle
(74) *Attorney, Agent, or Firm* — Lambert & Associates;
Gary E. Lambert; David J. Connaughton, Jr.

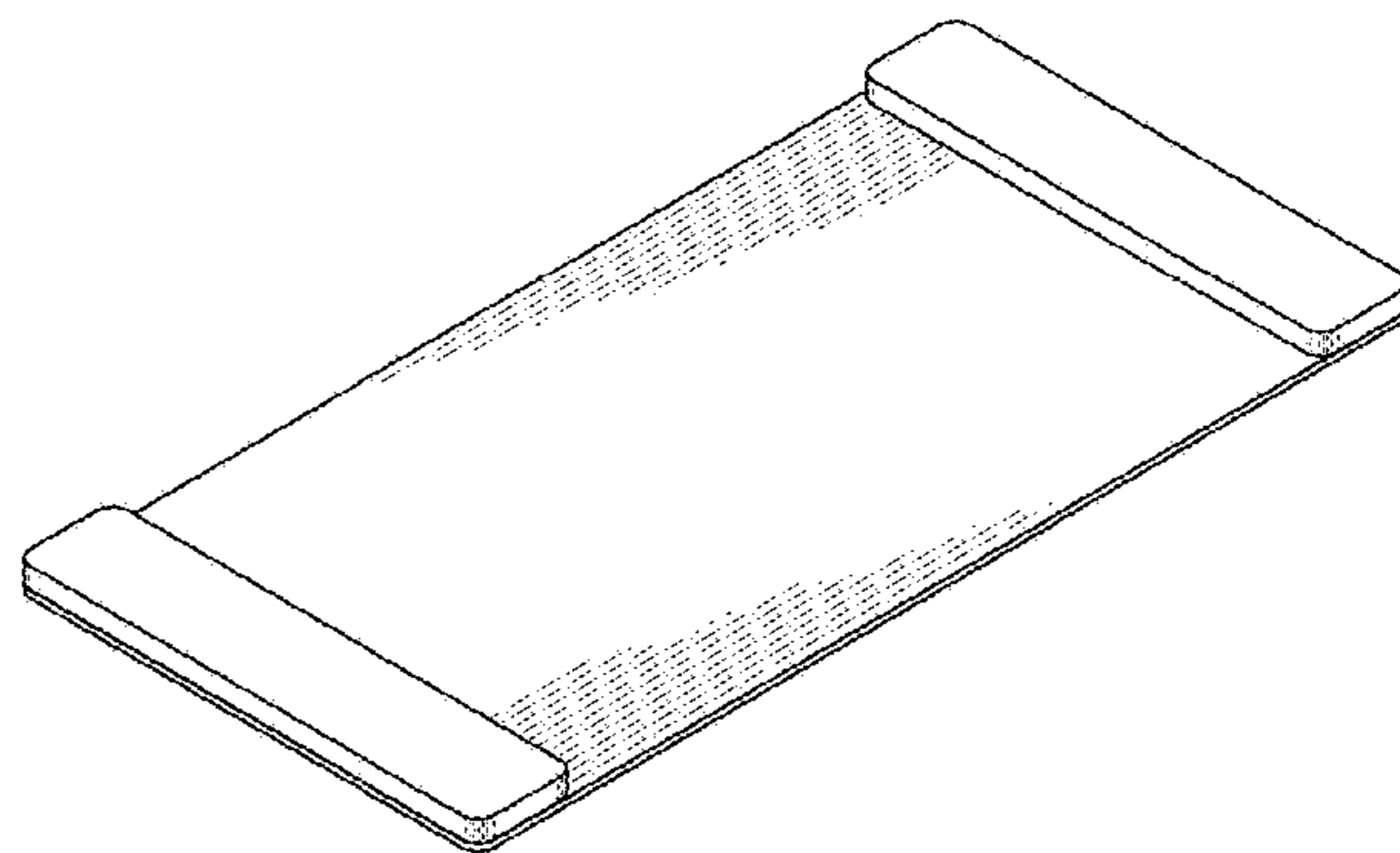
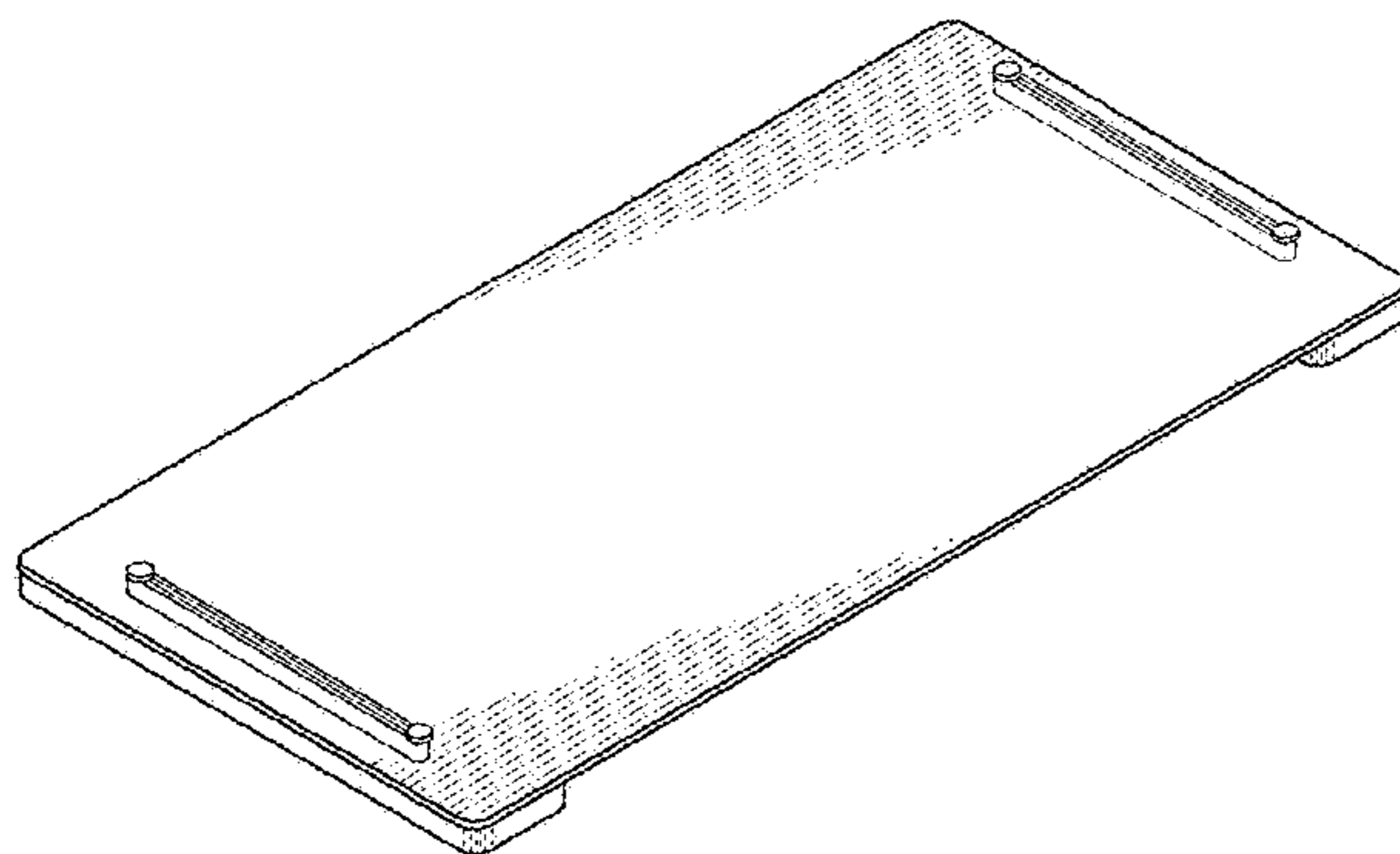
(57) **CLAIM**

The ornamental design for the hockey training device, as shown and described.

DESCRIPTION

FIG. 1 is a perspective top view of the hockey training device, which embodies my design;
FIG. 2 is a perspective bottom view thereof;
FIG. 3 is a bottom plan view thereof;
FIG. 4 is a top plan view thereof;
FIG. 5 is a left side view thereof;
FIG. 6 is a right side view thereof;
FIG. 7 is a rear view thereof; and,
FIG. 8 is a front view thereof.

1 Claim, 3 Drawing Sheets



(56)

References Cited

U.S. PATENT DOCUMENTS

2004/0142775 A1* 7/2004 Nudo A63B 47/002
473/446
2006/0063615 A1* 3/2006 Richardson A63B 69/0026
473/446
2009/0042659 A1 2/2009 Breaker
2009/0215548 A1 8/2009 Broering
2014/0256476 A1 9/2014 Sallinen
2015/0297967 A1* 10/2015 Simon A63B 69/0026
473/446
2016/0045803 A1* 2/2016 Klanow A63B 69/0097
473/435
2017/0173434 A1* 6/2017 Simon A63B 69/0097

* cited by examiner

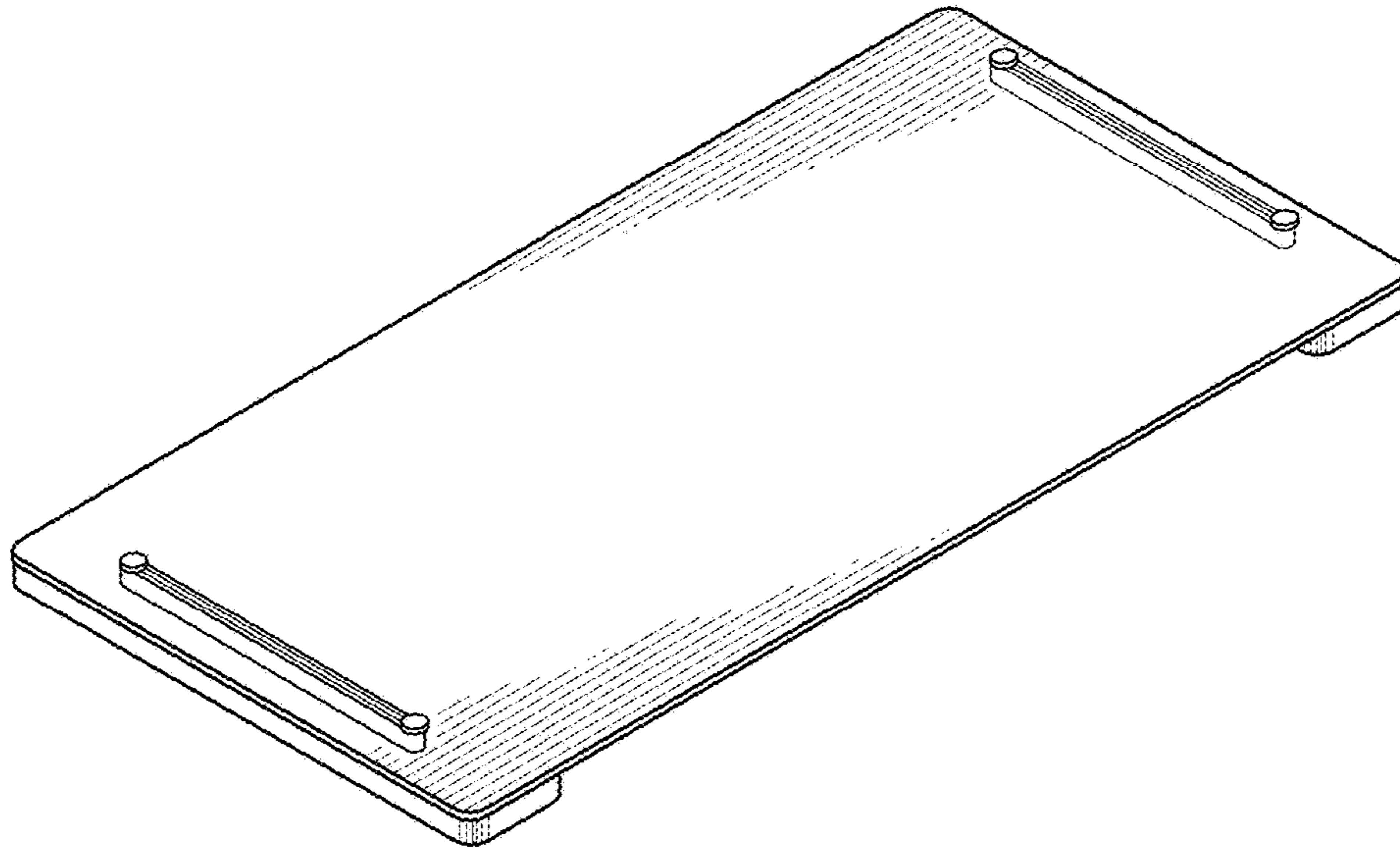


Fig. 1

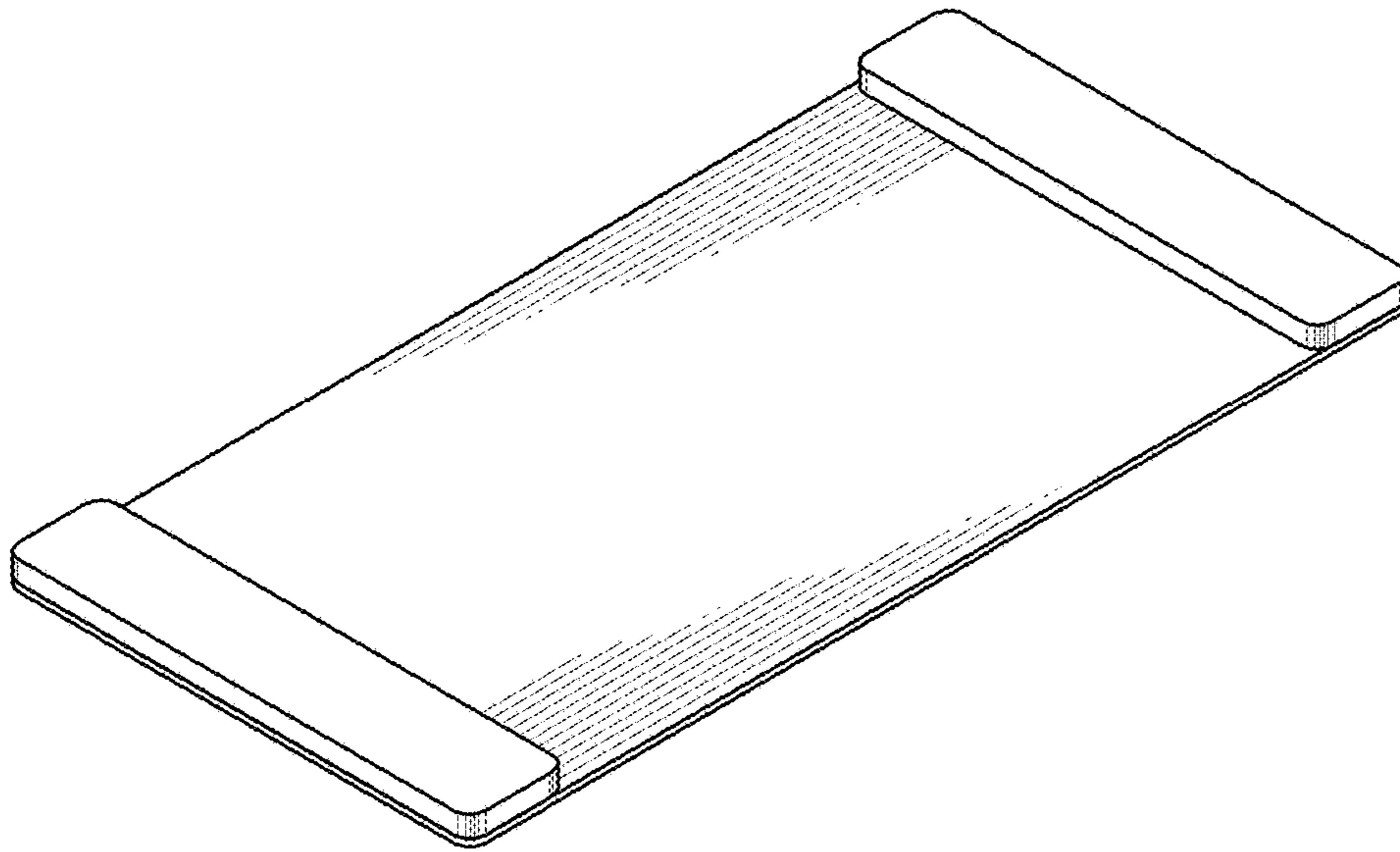


Fig. 2

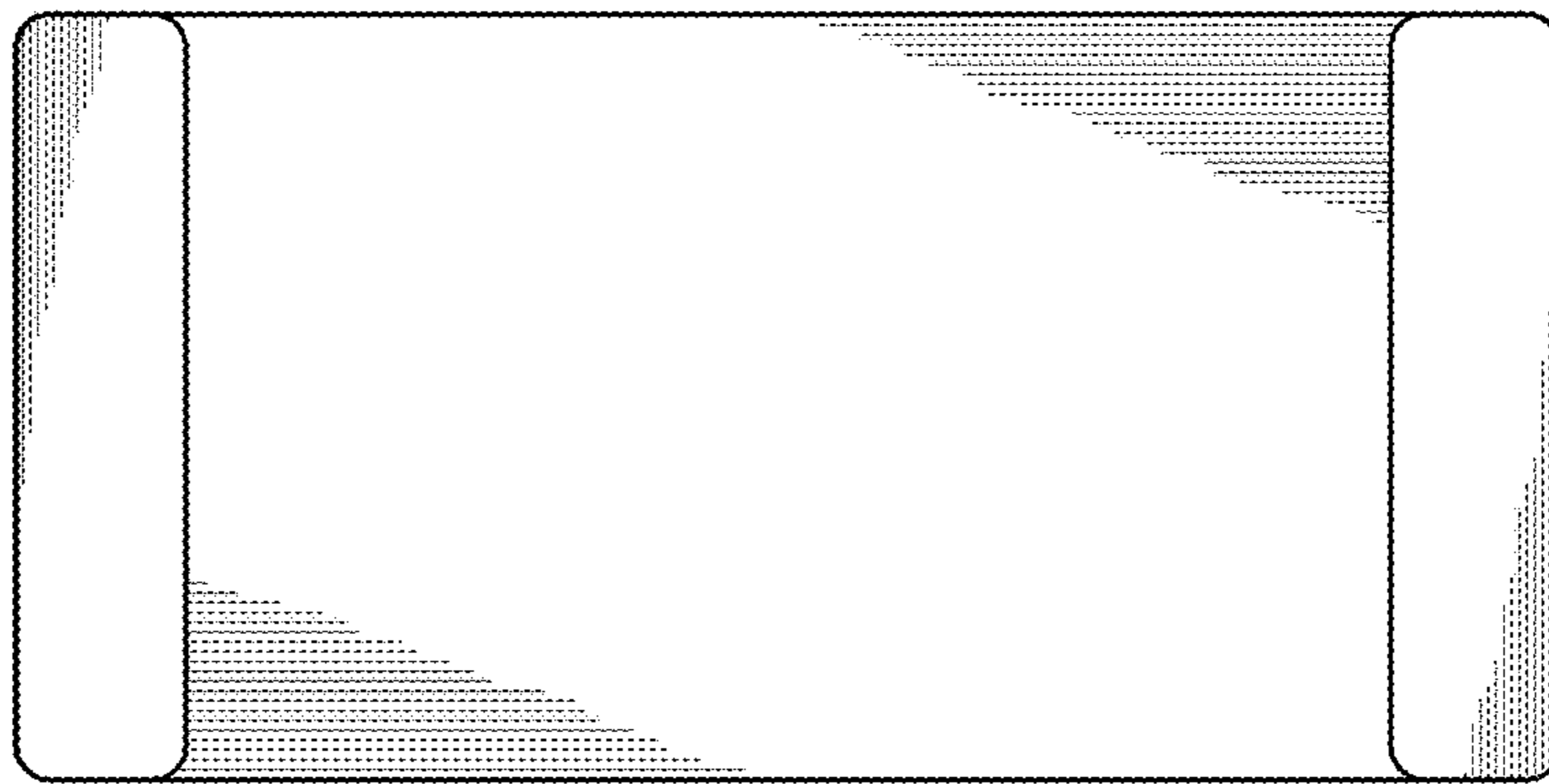


Fig. 3

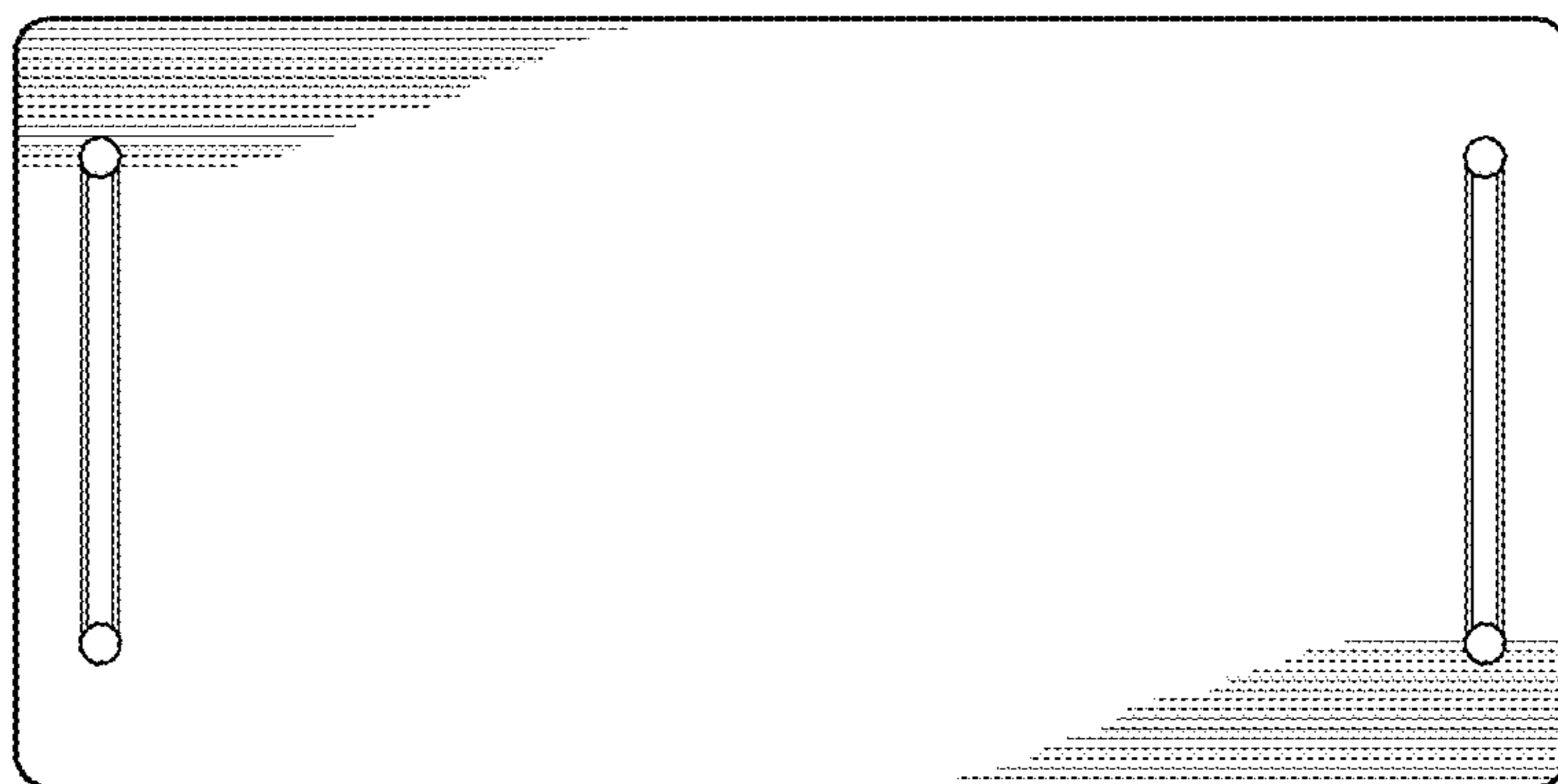


Fig. 4



Fig. 5



Fig. 6

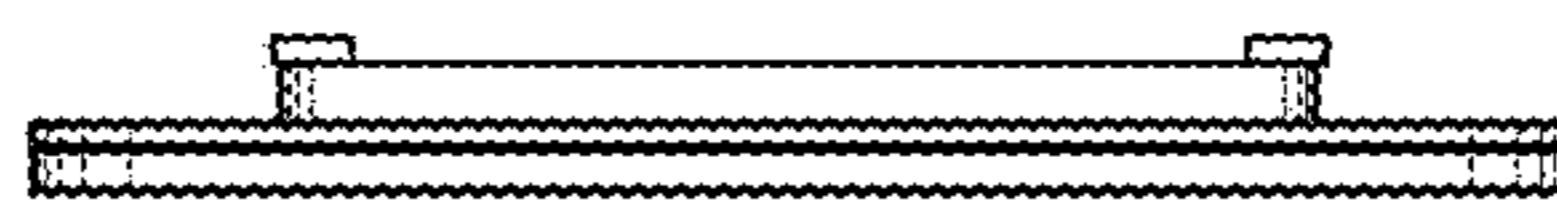


Fig. 7

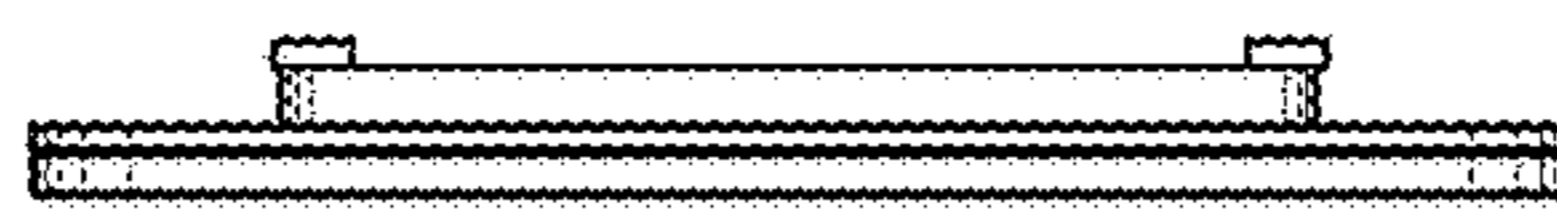


Fig. 8