



US00D801455S

(12) **United States Design Patent** (10) **Patent No.:** **US D801,455 S**
Gold (45) **Date of Patent:** **** Oct. 31, 2017**

(54) **KICKBALL HOME PLATE**
(71) Applicant: **Justin James Gold**, Hollywood, FL (US)
(72) Inventor: **Justin James Gold**, Hollywood, FL (US)
(**) Term: **15 Years**
(21) Appl. No.: **29/577,869**
(22) Filed: **Sep. 16, 2016**
(51) **LOC (10) Cl.** **21-02**
(52) **U.S. Cl.**
USPC **D21/698**; D21/780
(58) **Field of Classification Search**
USPC D21/698, 706, 780; 473/417, 451-456, 473/468, 499-501
CPC . A63B 69/00; A63B 69/0002; A63B 69/0013; A63B 2069/0004; A63B 2069/0006; A63B 2069/0008; A63B 67/002; A63B 71/00; A63B 71/02; A63B 2243/00
See application file for complete search history.

7,479,074 B1 * 1/2009 Pierce A63B 69/0002 473/417
D595,382 S * 6/2009 Richard D21/780
9,421,444 B1 * 8/2016 Graham A63B 69/0002
2002/0098902 A1 * 7/2002 Rodriguez A63B 69/3667 473/270
2003/0036446 A1 * 2/2003 Udwin A63B 69/0075 473/417
2007/0082761 A1 * 4/2007 Boesch A63B 69/0013 473/451

* cited by examiner

Primary Examiner — Catherine Tuttle
(74) *Attorney, Agent, or Firm* — The Concept Law Group, P.A.; Scott D. Smiley

(57) **CLAIM**

The ornamental design for a kickball home plate, as shown and described.

DESCRIPTION

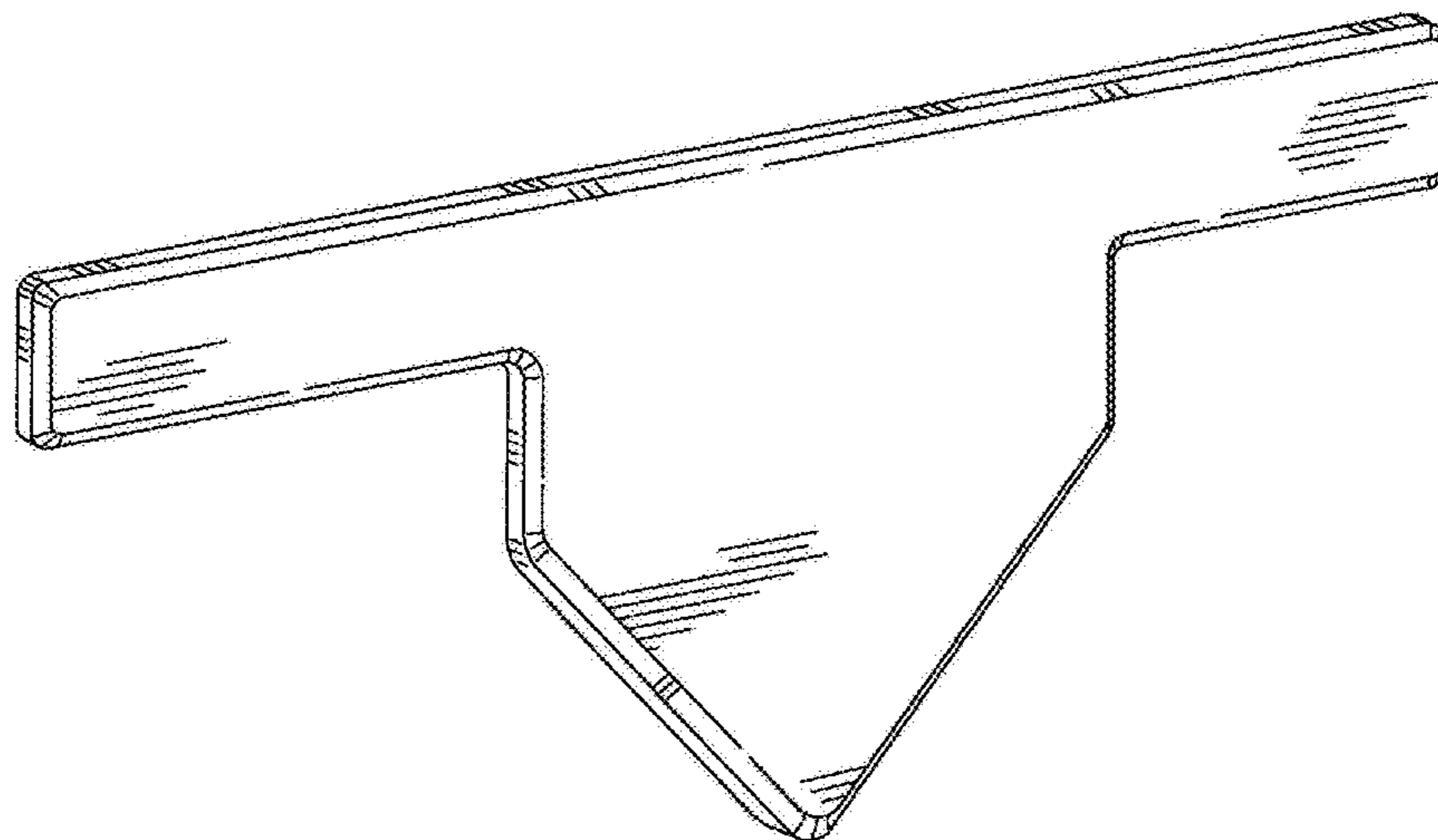
FIG. 1 is a perspective view of the kickball home plate showing my new design;
FIG. 2 is a top plan view thereof;
FIG. 3 is a front elevational view thereof;
FIG. 4 is a rear elevational view thereof;
FIG. 5 is a bottom plan view thereof;
FIG. 6 is a right side elevational view thereof;
FIG. 7 is a left side elevational view thereof;
FIG. 8 is another top plan view showing the addition of indicia in broken lines; and,
FIG. 9 is a plan view showing an alternative bottom surface configuration in broken lines.
The broken lines in FIG. 5 are included for the purpose of illustrating the portions of the bottom surface that form no part of the claimed design. The broken lines showing the indicia in FIG. 8 and the alternative bottom surface in FIG. 9 are for illustrative purposes only and form no part of the claimed design.

(56) **References Cited**

U.S. PATENT DOCUMENTS

D199,128 S * 9/1964 Madsen 473/499
4,463,950 A * 8/1984 Elkin A63B 69/0002 473/451
4,819,937 A * 4/1989 Gordon A63B 69/0075 473/417
5,106,085 A * 4/1992 Lewy A63B 69/0002 473/417
D479,295 S * 9/2003 Vesledahl D21/780
D504,484 S * 4/2005 Loudon D21/791
7,175,550 B1 * 2/2007 Bellah, Jr. A63B 69/0013 473/451
7,338,395 B1 * 3/2008 Hurley A63B 69/0002 473/454

1 Claim, 6 Drawing Sheets



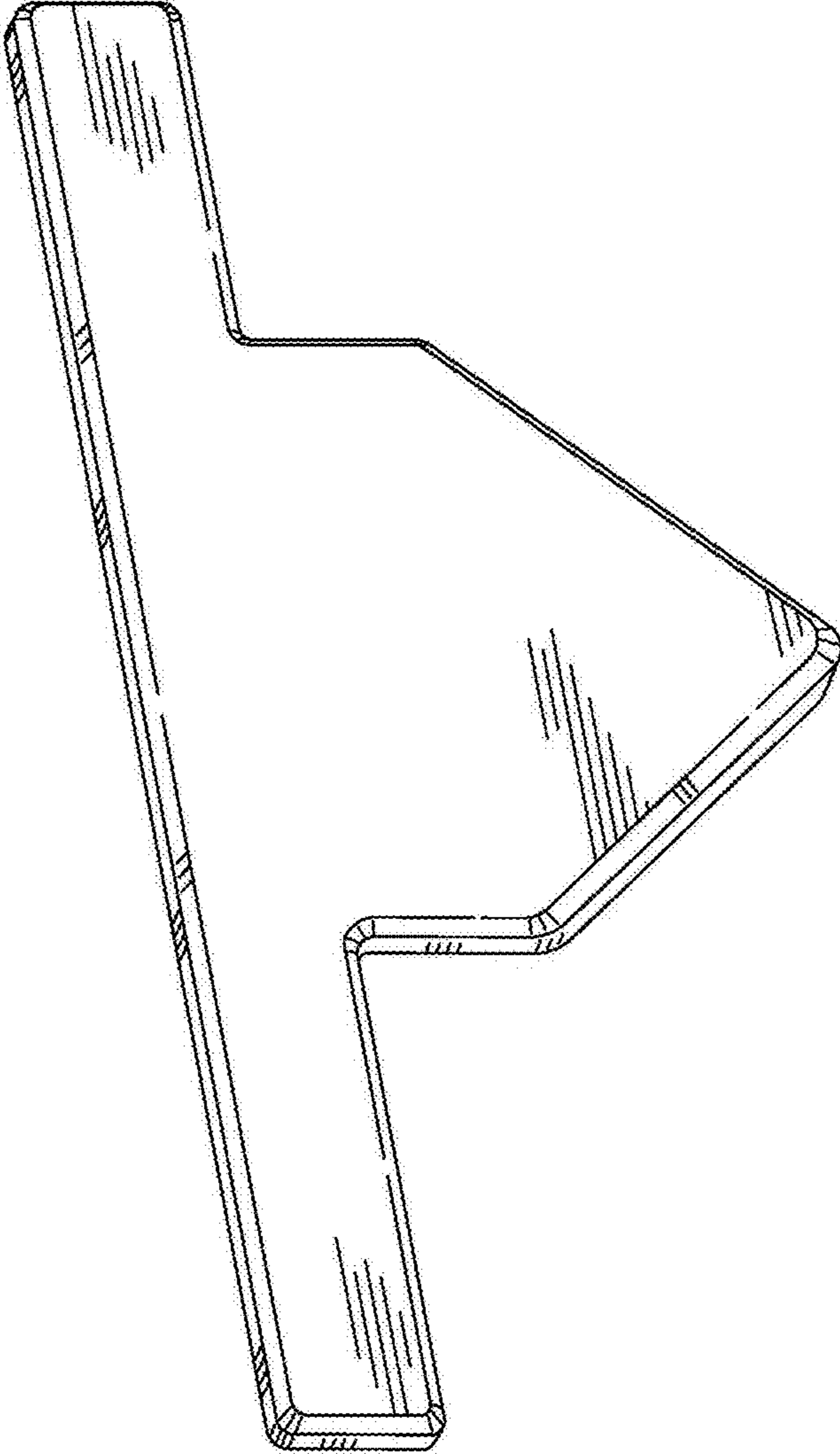


Fig. 1

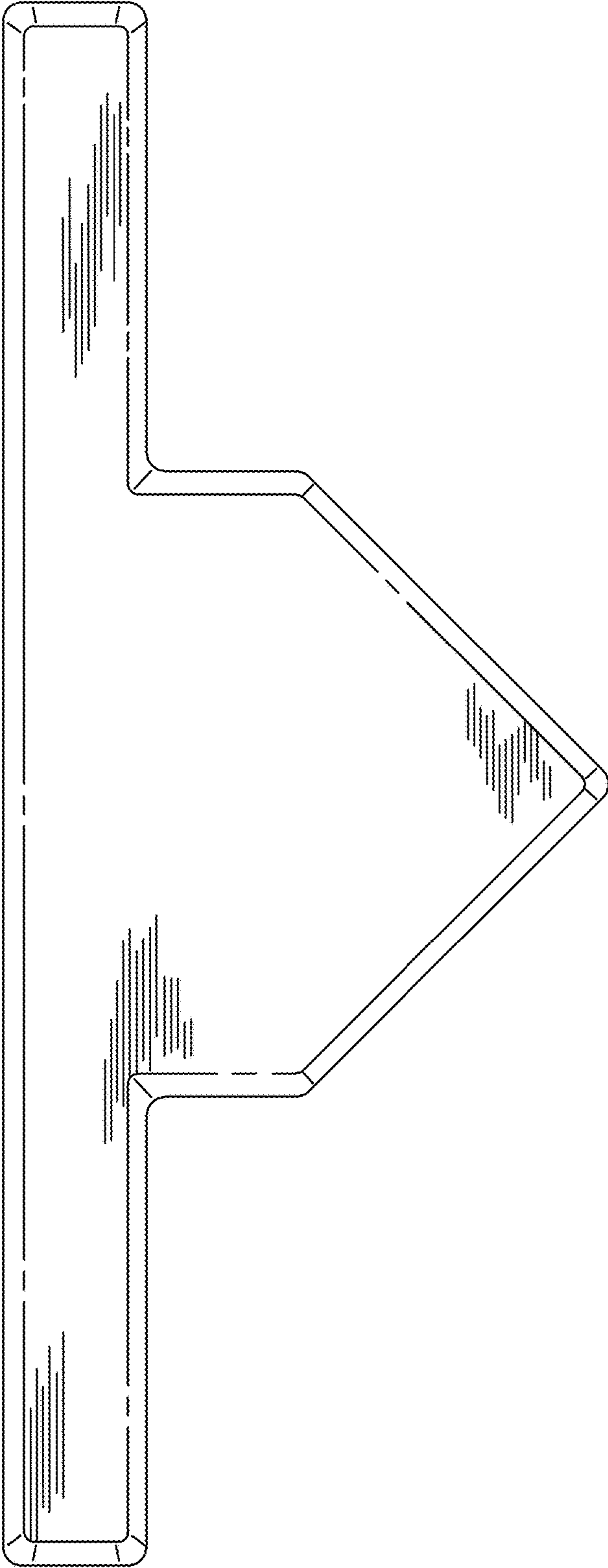


Fig. 2

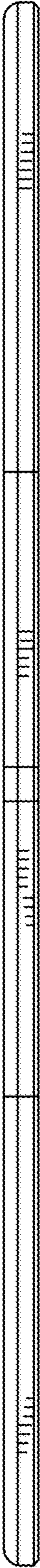


Fig. 3

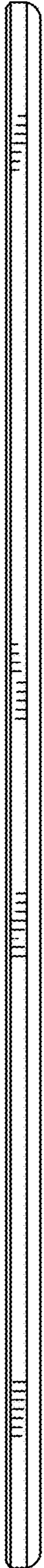


Fig. 4

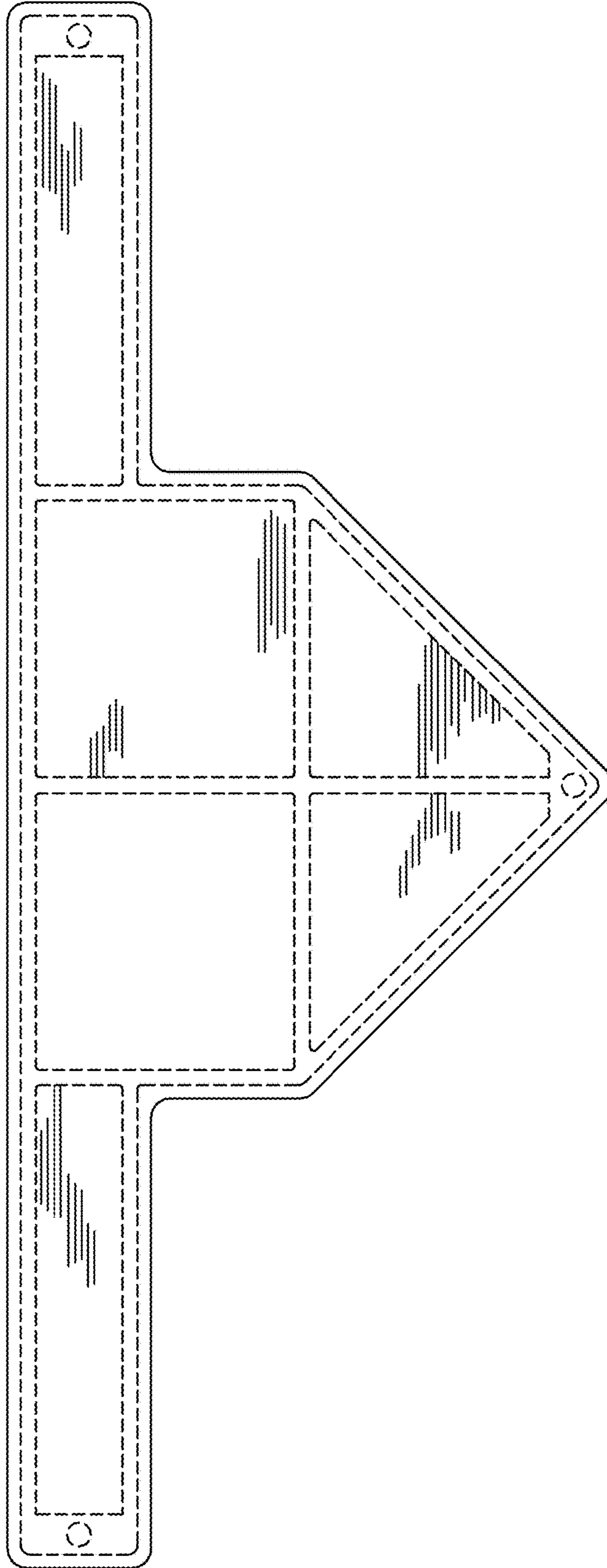


Fig. 5

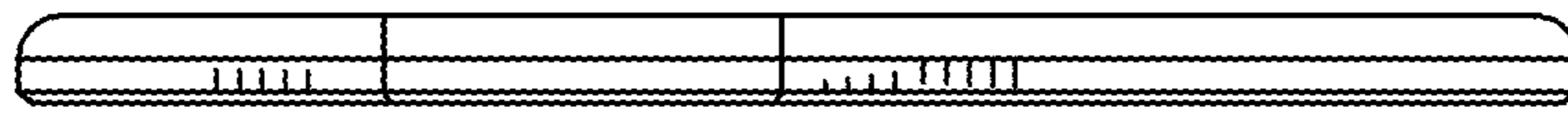


Fig. 7

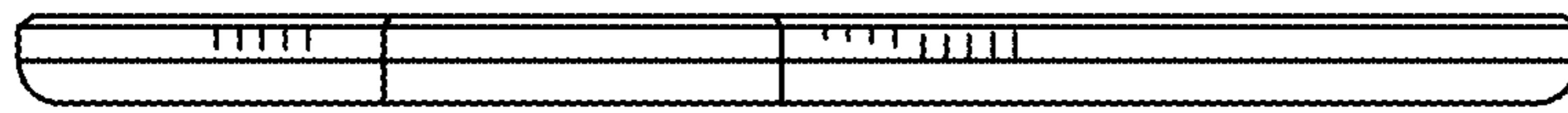


Fig. 6

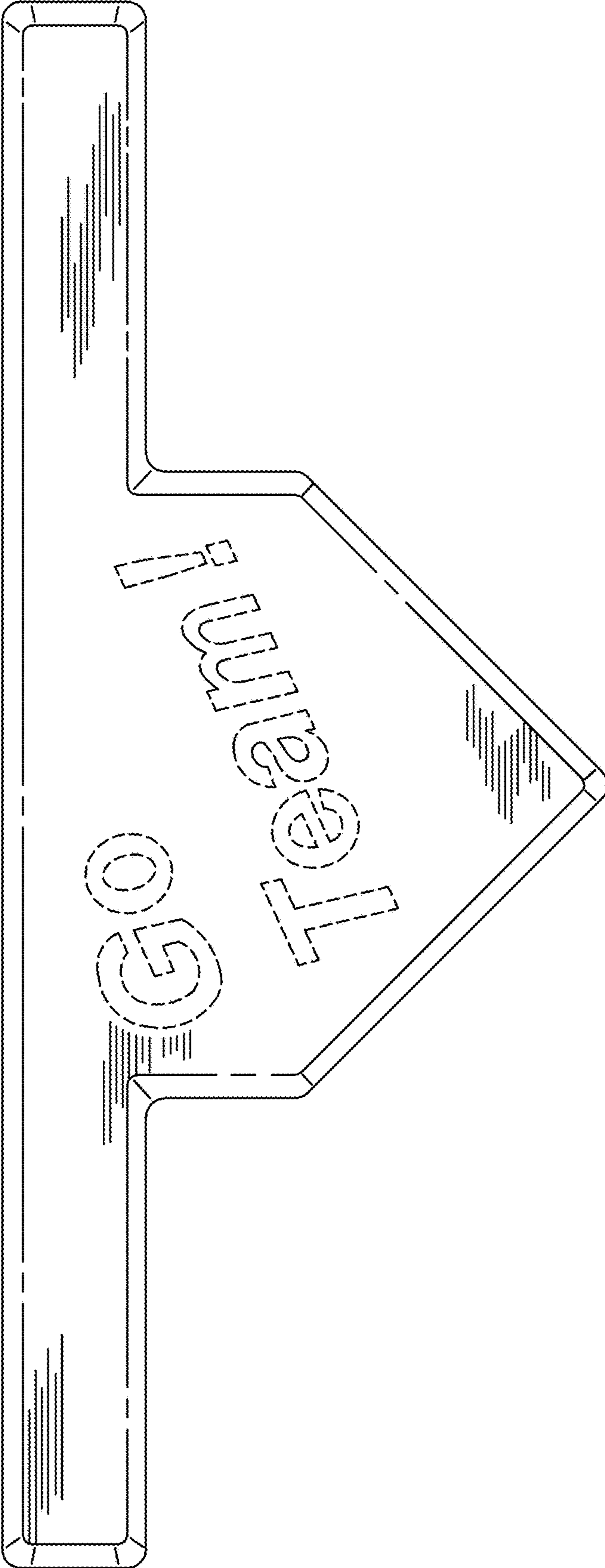


Fig. 8

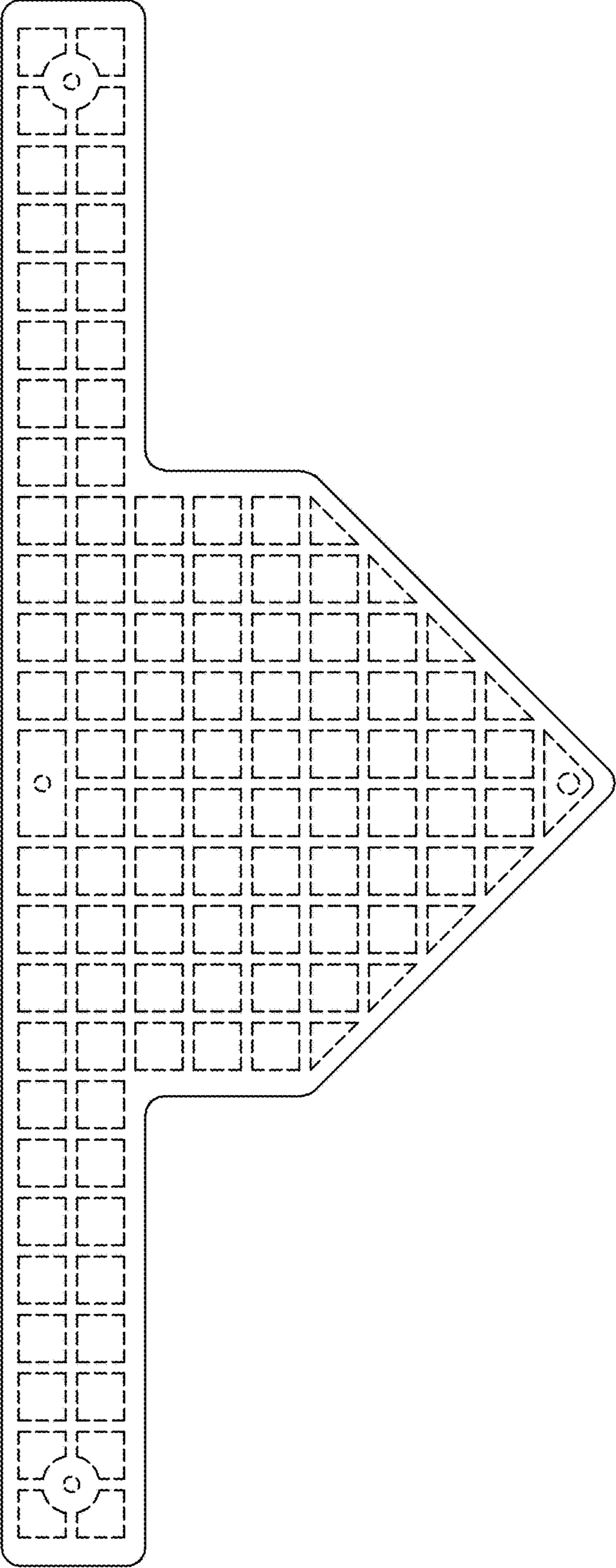


Fig. 9