



US00D801454S

(12) **United States Design Patent**
Hooper

(10) **Patent No.:** **US D801,454 S**

(45) **Date of Patent:** **** Oct. 31, 2017**

(54) **REAR HOUSING OF AN EXERCISE DEVICE**

(71) Applicant: **Precor Incorporated**, Woodinville, WA (US)

(72) Inventor: **Elijah E. Hooper**, Seattle, WA (US)

(73) Assignee: **Precor Incorporated**, Woodinville, WA (US)

(**) Term: **15 Years**

(21) Appl. No.: **29/581,971**

(22) Filed: **Oct. 24, 2016**

(51) **LOC (10) Cl.** **21-02**

(52) **U.S. Cl.**
USPC **D21/694**

(58) **Field of Classification Search**
USPC .. 482/51-52, 54, 57, 66, 68, 70, 72, 79, 80;
D12/400, 406, 407, 414, 415;
D21/662-663, 665-671, 673, 685, 694,
D21/696-697
CPC A63B 21/0023; A63B 2220/51; A63B
2220/54; A63B 22/0605
See application file for complete search history.

(56) **References Cited**

U.S. PATENT DOCUMENTS

D302,451 S	7/1989	Bull et al.
D303,695 S	9/1989	Smith et al.
D304,358 S	10/1989	Armstrong et al.
D314,597 S	2/1991	Armstrong et al.
D410,978 S	6/1991	Littrell et al.
D321,229 S	10/1991	Dalton et al.
D328,625 S	8/1992	Arthur et al.
D328,770 S	8/1992	Henderson et al.
D372,282 S	7/1996	Pasero et al.
5,685,804 A	11/1997	Whan-Tong et al.
D388,847 S	1/1998	Whan-tong et al.
D408,477 S	4/1999	Arnold et al.
D429,781 S	8/2000	Arnold et al.
6,123,650 A	9/2000	Birrell

6,146,313 A	11/2000	Whan-tong et al.
6,165,107 A	12/2000	Birrell
D438,580 S *	3/2001	Shaw D21/663
D438,581 S *	3/2001	Shaw D21/663
D438,919 S *	3/2001	Shaw D21/663
6,238,321 B1	5/2001	Arnold et al.

(Continued)

OTHER PUBLICATIONS

Gymsource "Precor EFX® 835 Experience™ Series Moving handlebars w/adjustable CrossRamp®", <https://www.gymsource.com/equipment/precor-efx-835-elliptical>. Sep. 11, 2017. shown in p. 1, Item # PR-EFX835/B.*

Primary Examiner — Cynthia Ramirez

Assistant Examiner — Michael Maharajh

(74) *Attorney, Agent, or Firm* — Terence P. O'Brien

(57) **CLAIM**

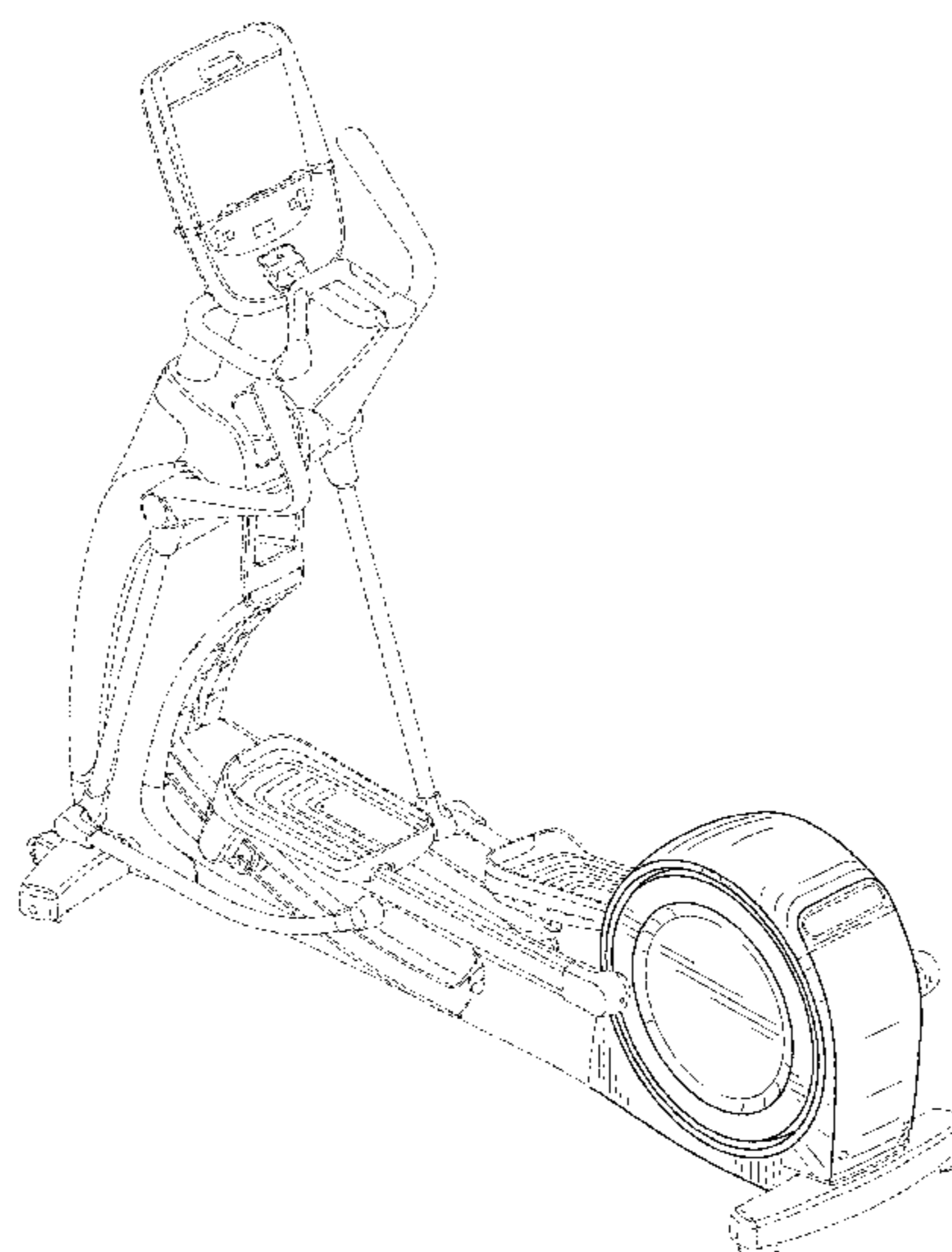
I claim the ornamental design for a rear housing of an exercise device, as shown and described.

DESCRIPTION

FIG. 1 is a left side, top perspective view of the rear housing of an exercise device;
FIG. 2 is a left elevational view of the rear housing of the exercise device of FIG. 1;
FIG. 3 is a right elevational view of the rear housing of the exercise device of FIG. 1;
FIG. 4 is a rear view of the rear housing of the exercise device of FIG. 1;
FIG. 5 is a front view of the rear housing of the exercise device of FIG. 1; and,
FIG. 6 is a top plan view of the rear housing of the exercise device of FIG. 1.

The ornamental design that is claimed is shown in solid lines in the drawings. The evenly spaced broken lines shown in the figures are for the purpose of showing environment and form no part of the claimed design.

1 Claim, 5 Drawing Sheets



(56)

References Cited

U.S. PATENT DOCUMENTS

D446,266 S *	8/2001	Lin	D21/663	D575,363 S	8/2008	Horita	
D449,356 S	10/2001	Arnold et al.			D575,837 S	8/2008	Horita	
D450,100 S *	11/2001	Hsu	D21/694	D589,098 S *	3/2009	Horita D21/696
D450,101 S *	11/2001	Hsu	D21/694	D594,072 S	6/2009	Horita	
D454,605 S *	3/2002	Lee	D21/694	D600,293 S	9/2009	Horita	
D459,776 S *	7/2002	Lee	D21/697	7,691,034 B2	4/2010	May et al.	
D464,096 S *	10/2002	Lee	D21/694	7,704,192 B2	4/2010	Dyer et al.	
D464,688 S	10/2002	May et al.			7,731,634 B2	6/2010	Stewart et al.	
D464,689 S	10/2002	May et al.			7,758,472 B2	7/2010	Stewart	
D465,000 S	10/2002	Arnold et al.			7,922,625 B2	4/2011	Grind	
6,482,130 B1	11/2002	Pasero et al.			8,419,598 B2	4/2013	Dyer et al.	
D475,424 S *	6/2003	Lee	D21/694	D687,911 S	8/2013	Hortia	
D484,931 S *	1/2004	Tsai	D21/694	D690,784 S	10/2013	Horita	
D486,537 S *	2/2004	Lin	D21/670	8,556,779 B2	10/2013	Grind	
6,749,540 B1	6/2004	Pasero et al.			D703,278 S	4/2014	Hortia	
6,752,744 B2	6/2004	Arnold et al.			D690,375 S	9/2014	Horita	
6,939,271 B1	9/2005	Whan-tong et al.			9,468,795 B2	10/2016	Arnold et al.	
D530,758 S *	10/2006	Kim	D21/668	2014/0371033 A1 *	12/2014	Mortensen A63B 71/0619
D559,925 S	1/2008	Horita						482/52
D567,313 S	4/2008	Horita			2014/0371034 A1 *	12/2014	Mortensen A63B 22/0002
D567,314 S	4/2008	Horita						482/52
D567,315 S	4/2008	Hortia			2014/0371035 A1 *	12/2014	Mortensen A63B 71/0619
								482/52

* cited by examiner

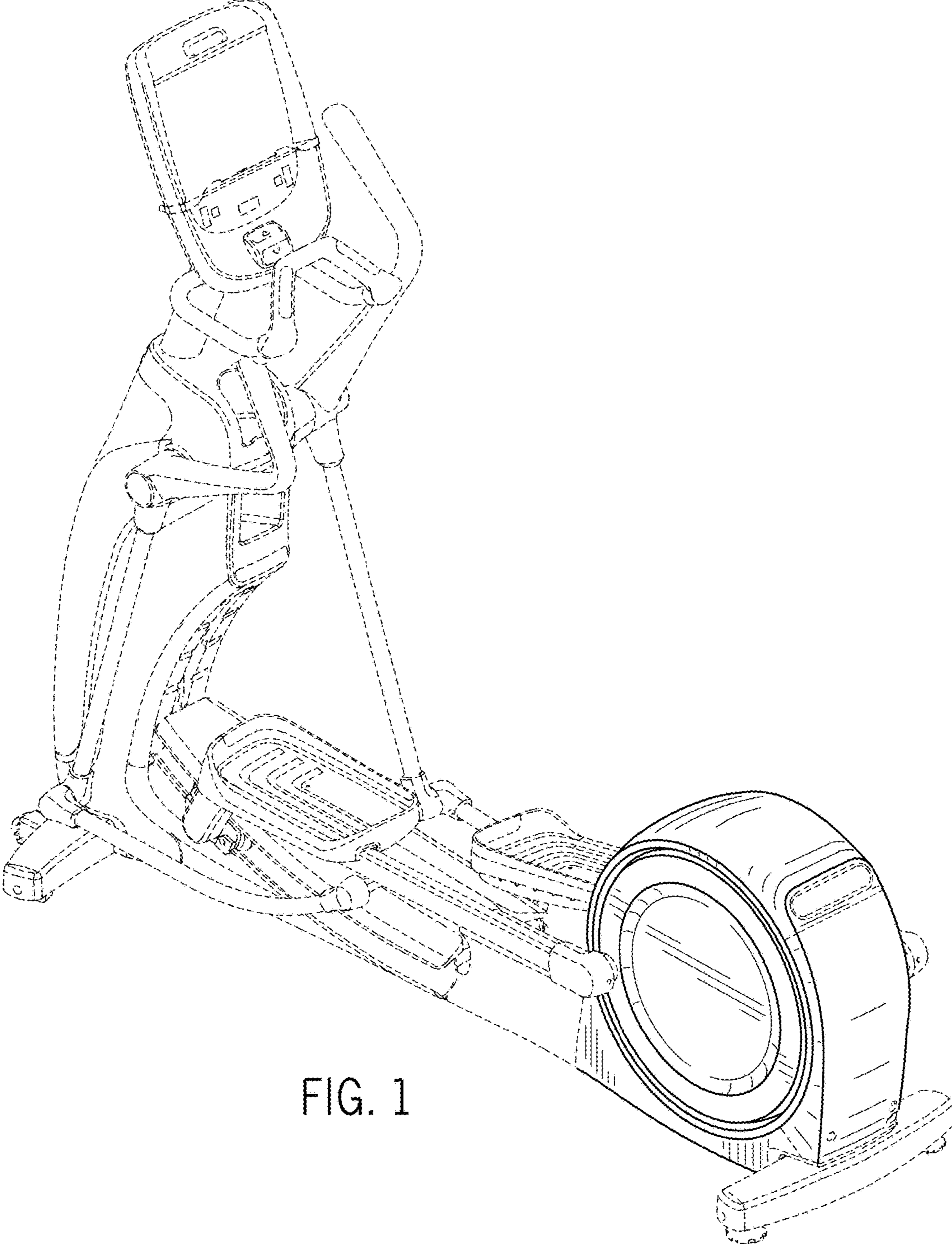


FIG. 1

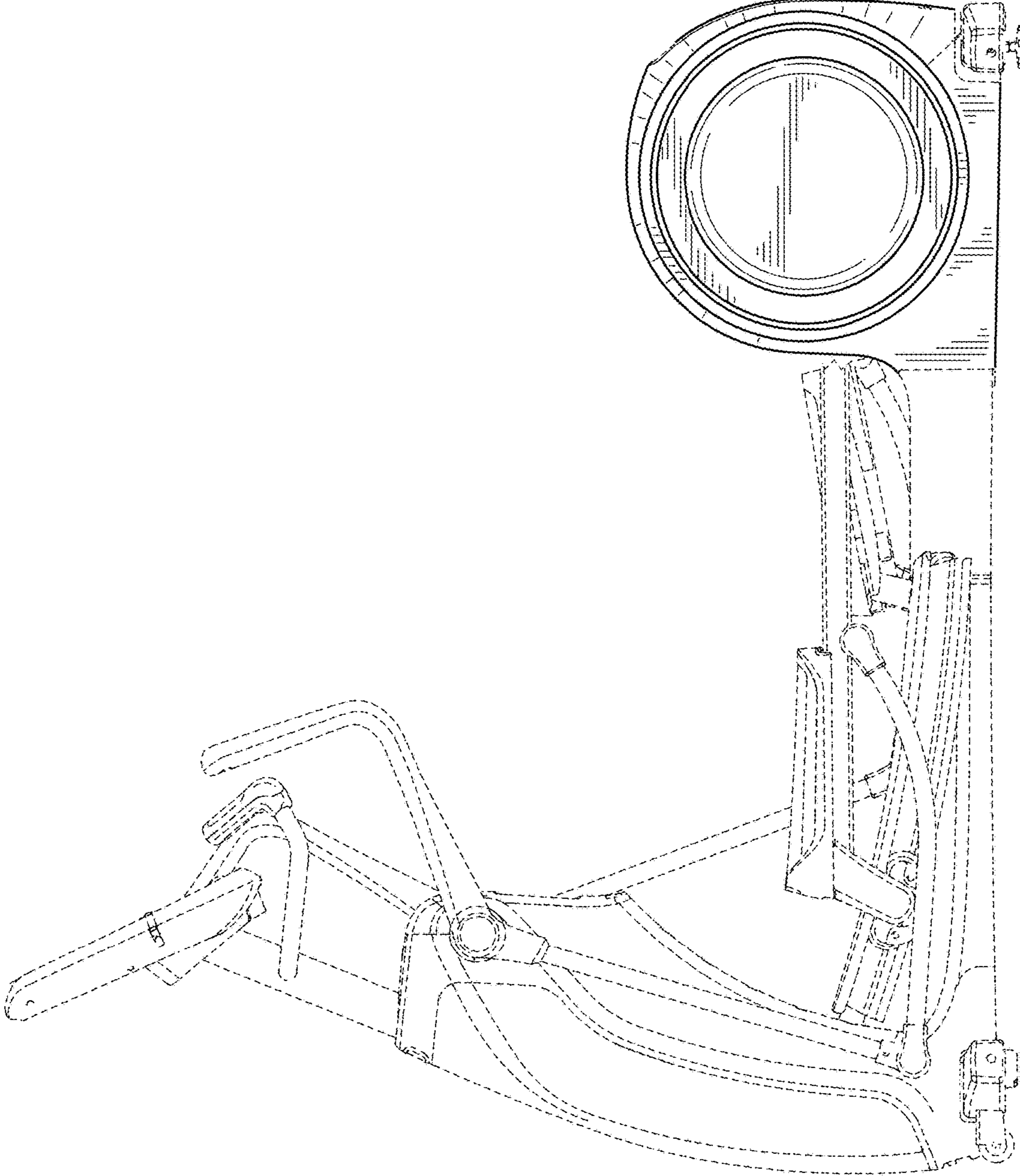
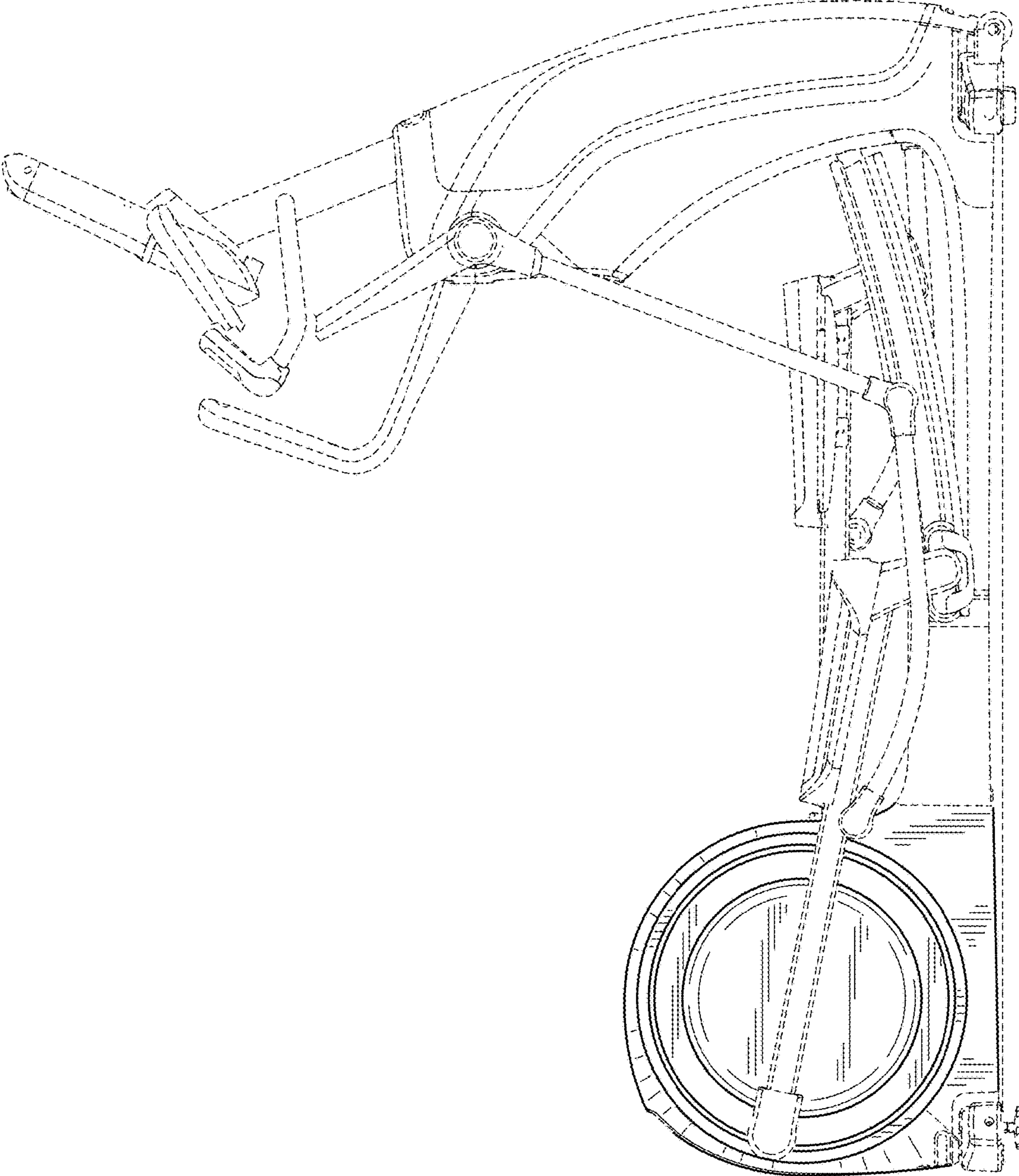


FIG. 2

FIG. 3



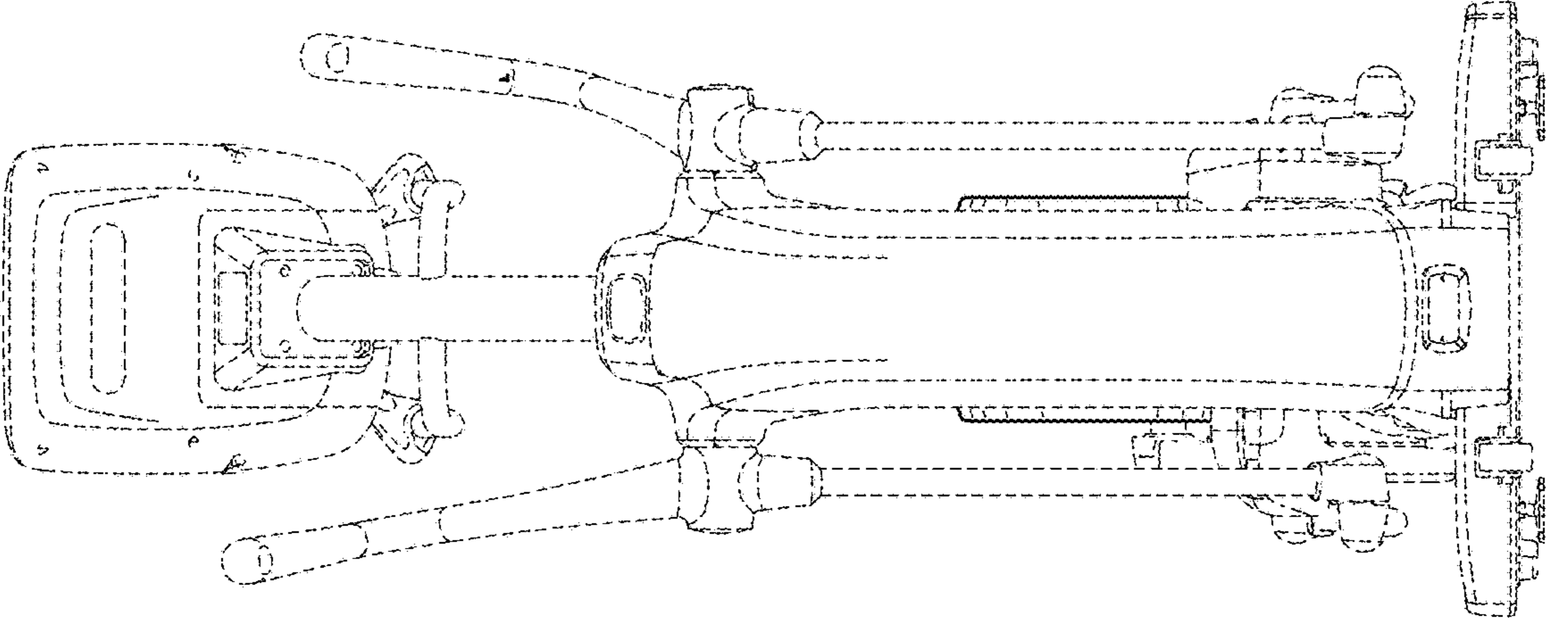


FIG. 4

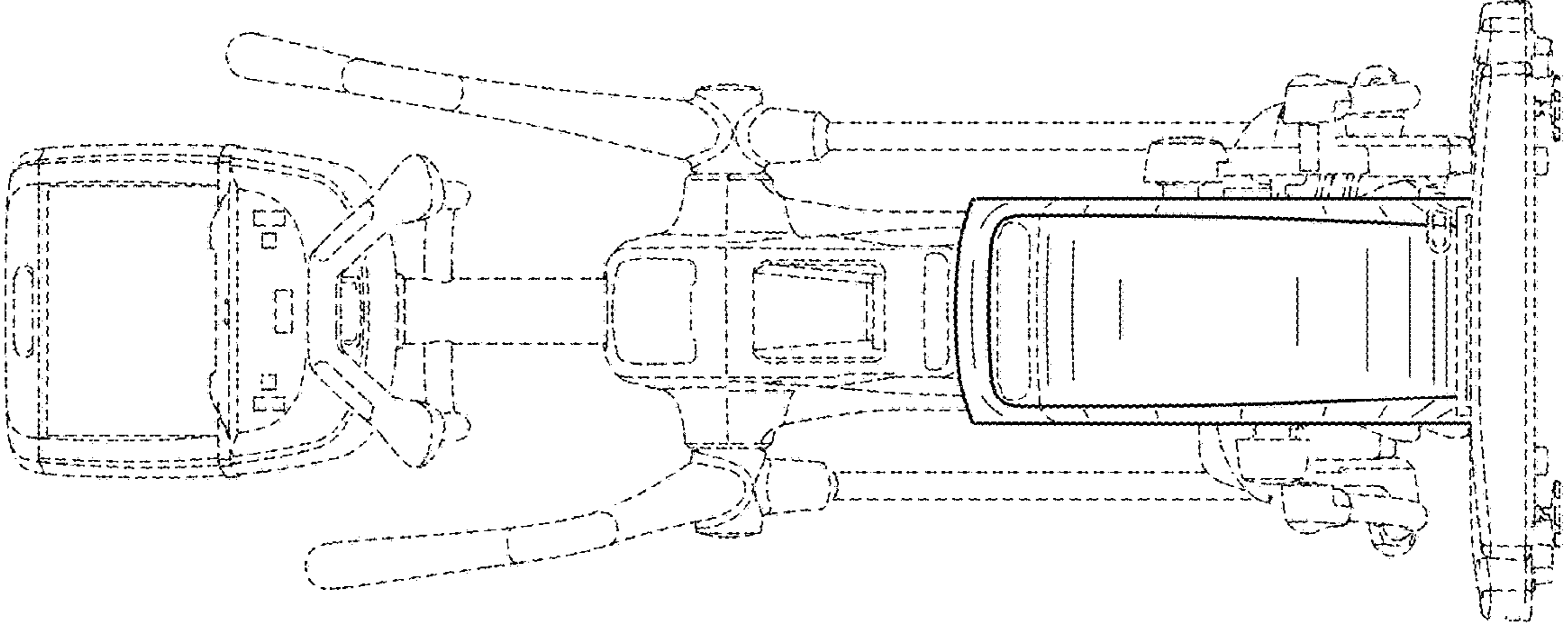


FIG. 5

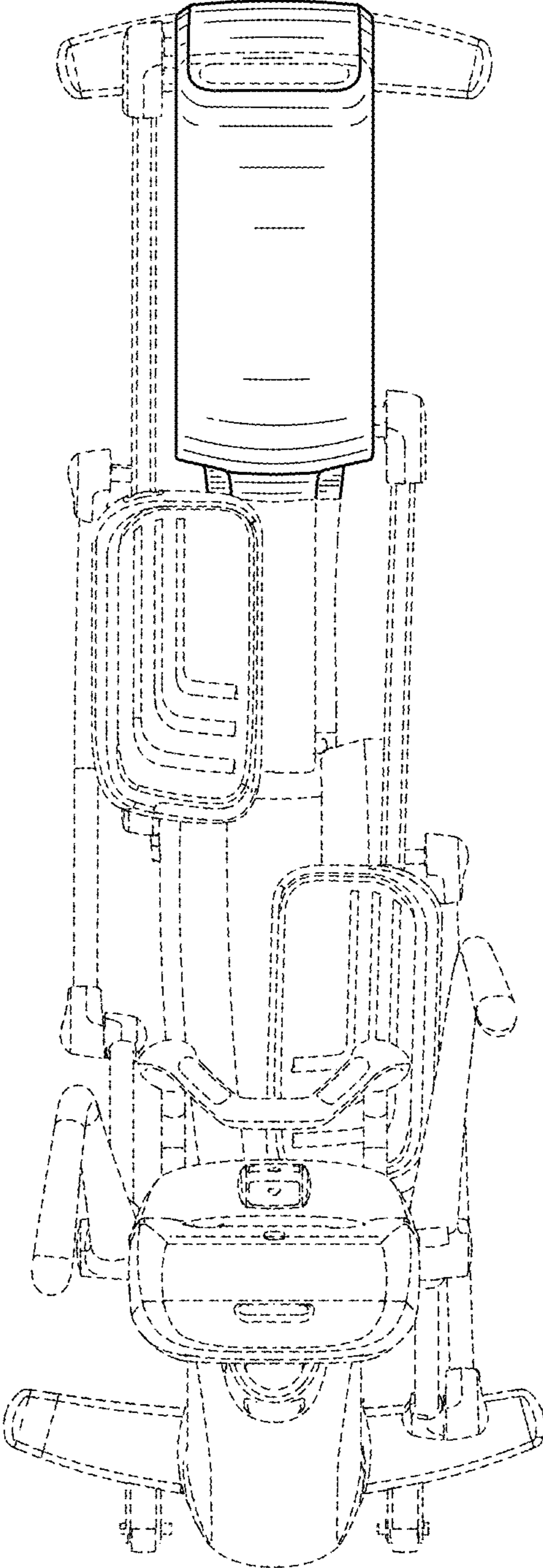


FIG. 6