



US00D801451S

(12) **United States Design Patent**
Hooper et al.

(10) **Patent No.:** **US D801,451 S**
(45) **Date of Patent:** **** Oct. 31, 2017**

(54) **EXERCISE DEVICE**
(71) Applicant: **Precor Incorporated**, Woodinville, WA (US)
(72) Inventors: **Elijah E. Hooper**, Seattle, WA (US); **Sean K. Horita**, Woodinville, WA (US); **Robert B. Hubler**, Woodinville, WA (US); **Joshua S. Engstrom**, Woodinville, WA (US); **Daniel Davidson**, Mill Creek, WA (US)

5,685,804 A 11/1997 Whan-Tong et al.
D388,847 S 1/1998 Whan-tong et al.
D408,477 S 4/1999 Arnold et al.
D429,781 S 8/2000 Arnold et al.
6,123,650 A 9/2000 Birrell
6,146,313 A 11/2000 Whan-tong et al.
6,165,107 A 12/2000 Birrell
6,238,321 B1 5/2001 Arnold et al.
D449,356 S 10/2001 Arnold et al.

(Continued)

(73) Assignee: **Precor Incorporated**, Woodinville, WA (US)

(**) Term: **15 Years**

(21) Appl. No.: **29/581,955**

(22) Filed: **Oct. 24, 2016**

(51) **LOC (10) Cl.** **21-02**

(52) **U.S. Cl.**
USPC **D21/668**

(58) **Field of Classification Search**
USPC .. 482/51-52, 54, 57, 66, 68, 70, 72, 79, 80;
D12/400, 406, 407, 414; D21/662-663,
D21/665-671, 673, 685, 694, 696-697
CPC A63B 23/0464; A63B 2022/0038; A63B
23/03541; A63B 69/18
See application file for complete search history.

(56) **References Cited**

U.S. PATENT DOCUMENTS

D302,451 S 7/1989 Bull et al.
D303,695 S 9/1989 Smith et al.
D304,358 S 10/1989 Armstrong et al.
D314,597 S 2/1991 Armstrong et al.
D410,978 S 6/1991 Littrell et al.
D321,229 S 10/1991 Dalton et al.
D328,625 S 8/1992 Arthur et al.
D328,770 S 8/1992 Henderson et al.
D372,282 S 7/1996 Pasero et al.

OTHER PUBLICATIONS

Gymsource “Precor EFX® 835 Experience™ Series Moving handlebars w/adjustable CrossRamp®”, <https://www.gymsource.com/equipment/precor-efx-835-elliptical>. Sep. 11, 2017. shown in p. 1, Item # PR-EFX835/B.*

Primary Examiner — Cynthia Ramirez

Assistant Examiner — Michael Maharajh

(74) *Attorney, Agent, or Firm* — Terence P. O’Brien

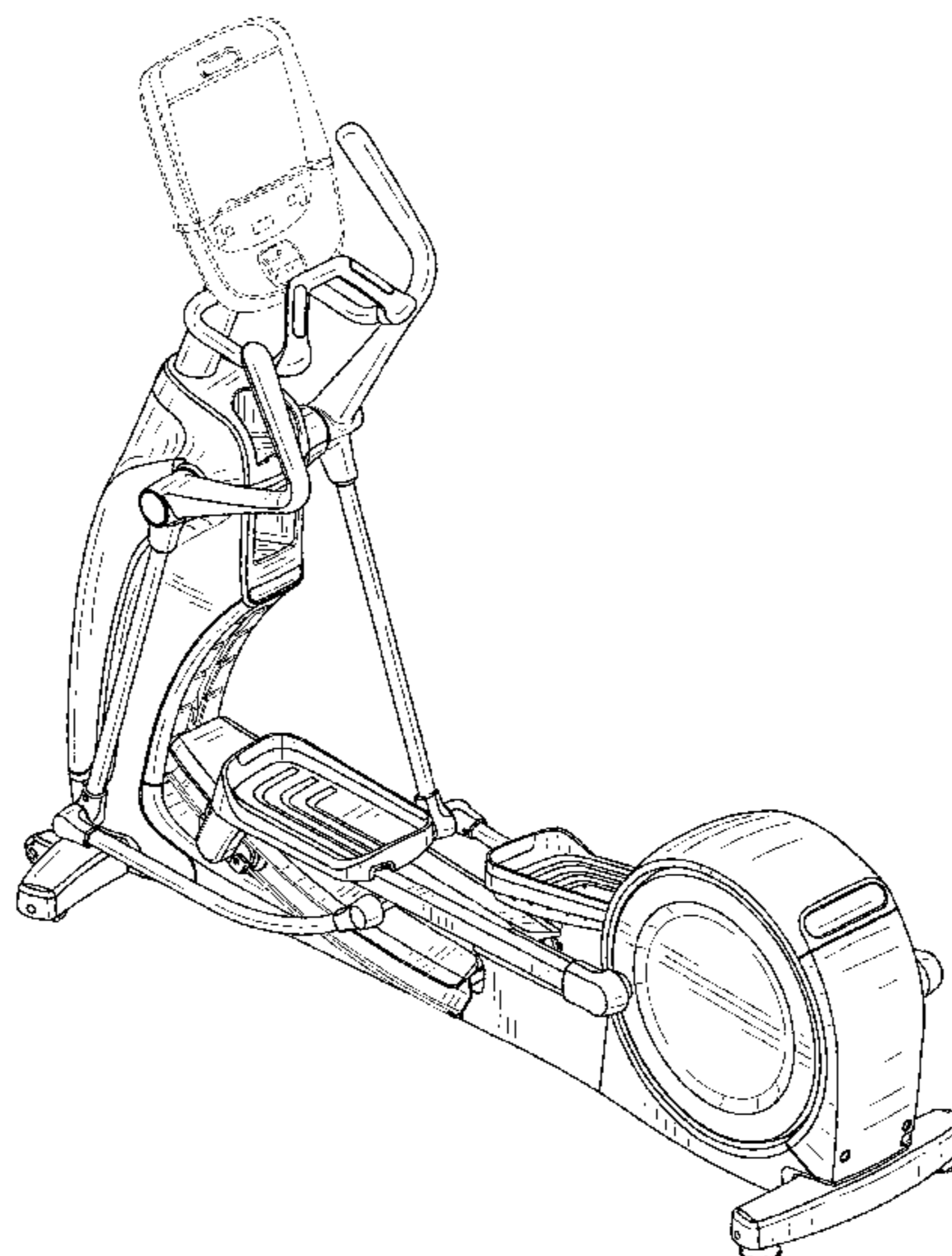
(57) **CLAIM**

We claim the ornamental design for an exercise device, as shown and described.

DESCRIPTION

FIG. 1 is a right side, top perspective view of an exercise device;
FIG. 2 is a right side elevational view of the exercise device of FIG. 1;
FIG. 3 is a left side elevational view of the exercise device of FIG. 1;
FIG. 4 is a rear view of the exercise device of FIG. 1;
FIG. 5 is a front view of the exercise device of FIG. 1; and,
FIG. 6 is a top plan view of the exercise device of FIG. 1.
The ornamental design that is claimed is shown in solid lines in the drawings. The evenly spaced broken lines shown in the figures are for the purpose of showing environment and form no part of the claimed design.

1 Claim, 5 Drawing Sheets



(56)

References Cited

U.S. PATENT DOCUMENTS

D464,688 S	10/2002	May et al.	7,704,192 B2	4/2010	Dyer et al.
D464,689 S	10/2002	May et al.	7,731,634 B2	6/2010	Stewart et al.
D465,000 S	10/2002	Arnold et al.	7,758,472 B2	7/2010	Stewart
6,482,130 B1	11/2002	Pasero et al.	7,922,625 B2	4/2011	Grind
6,749,540 B1	6/2004	Pasero et al.	8,419,598 B2	4/2013	Dyer et al.
6,752,744 B2	6/2004	Arnold et al.	D687,911 S	8/2013	Hortia
6,939,271 B1	9/2005	Whan-tong et al.	D690,784 S	10/2013	Horita
D530,758 S *	10/2006	Kim D21/668	8,556,779 B2	10/2013	Grind
D559,925 S	1/2008	Horita	D703,278 S	4/2014	Hortia
D565,129 S *	3/2008	Chang D21/668	D690,375 S	9/2014	Horita
D567,313 S	4/2008	Horita	9,468,795 B2	10/2016	Arnold et al.
D567,314 S	4/2008	Horita	D785,730 S *	5/2017	Huang D21/670
D567,315 S	4/2008	Hortia	2010/0255969 A1 *	10/2010	Long A63B 22/0664
D575,363 S	8/2008	Horita			482/141
D575,837 S	8/2008	Horita	2014/0371033 A1 *	12/2014	Mortensen A63B 71/0619
D594,072 S	6/2009	Horita			482/52
D600,293 S	9/2009	Horita	2014/0371034 A1 *	12/2014	Mortensen A63B 22/0002
7,691,034 B2	4/2010	May et al.			482/52
			2014/0371035 A1 *	12/2014	Mortensen A63B 71/0619
					482/52

* cited by examiner

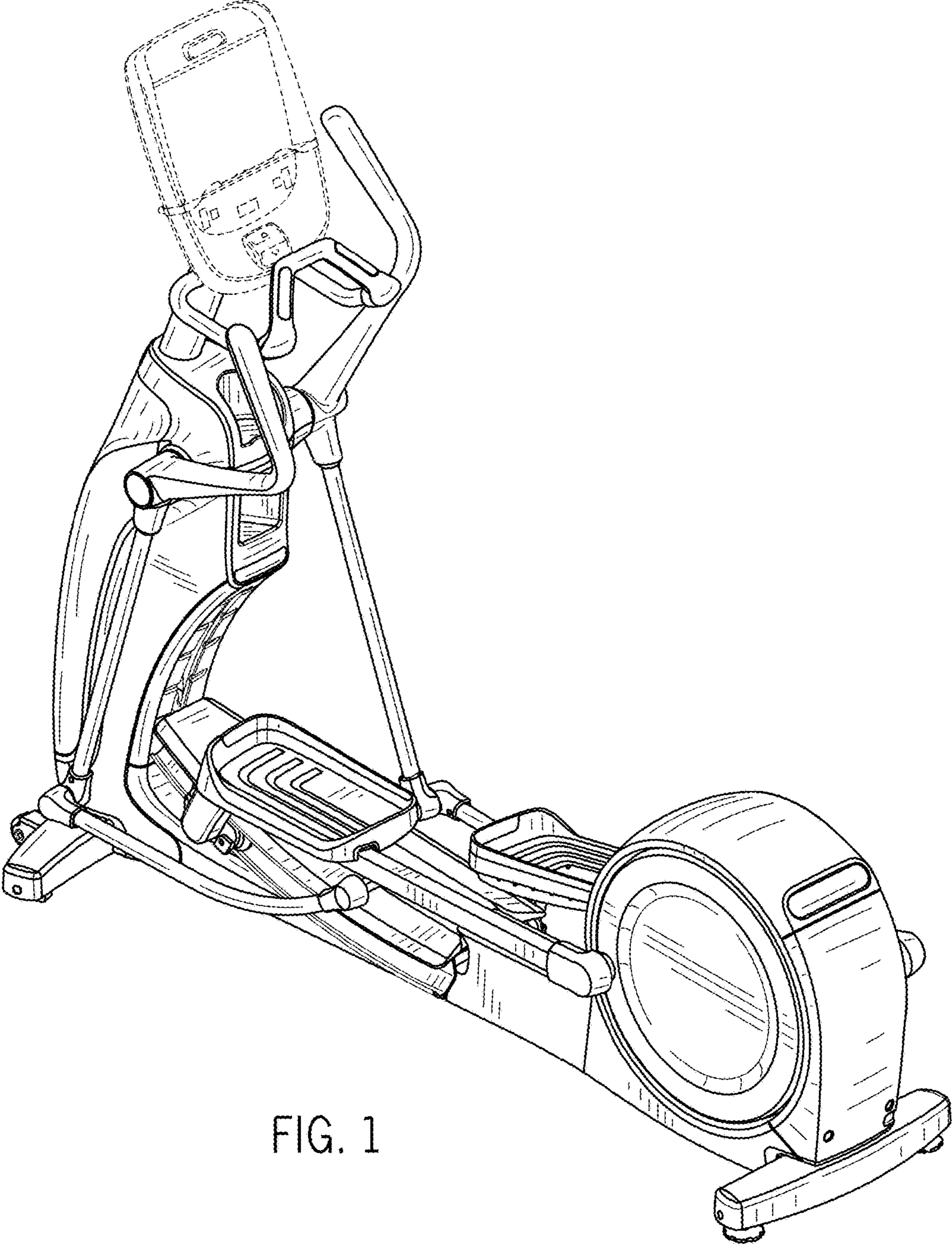


FIG. 1

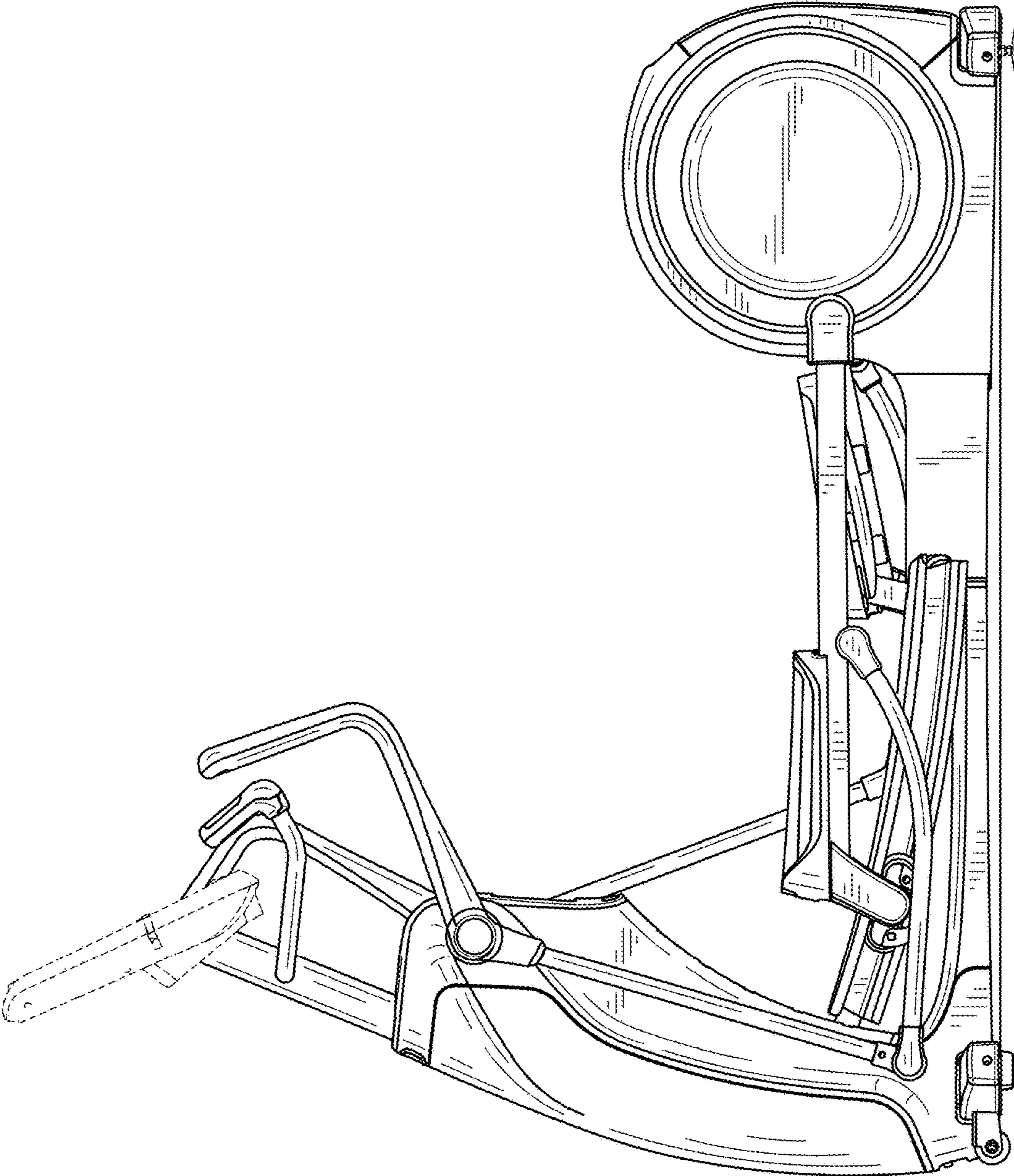


FIG. 2

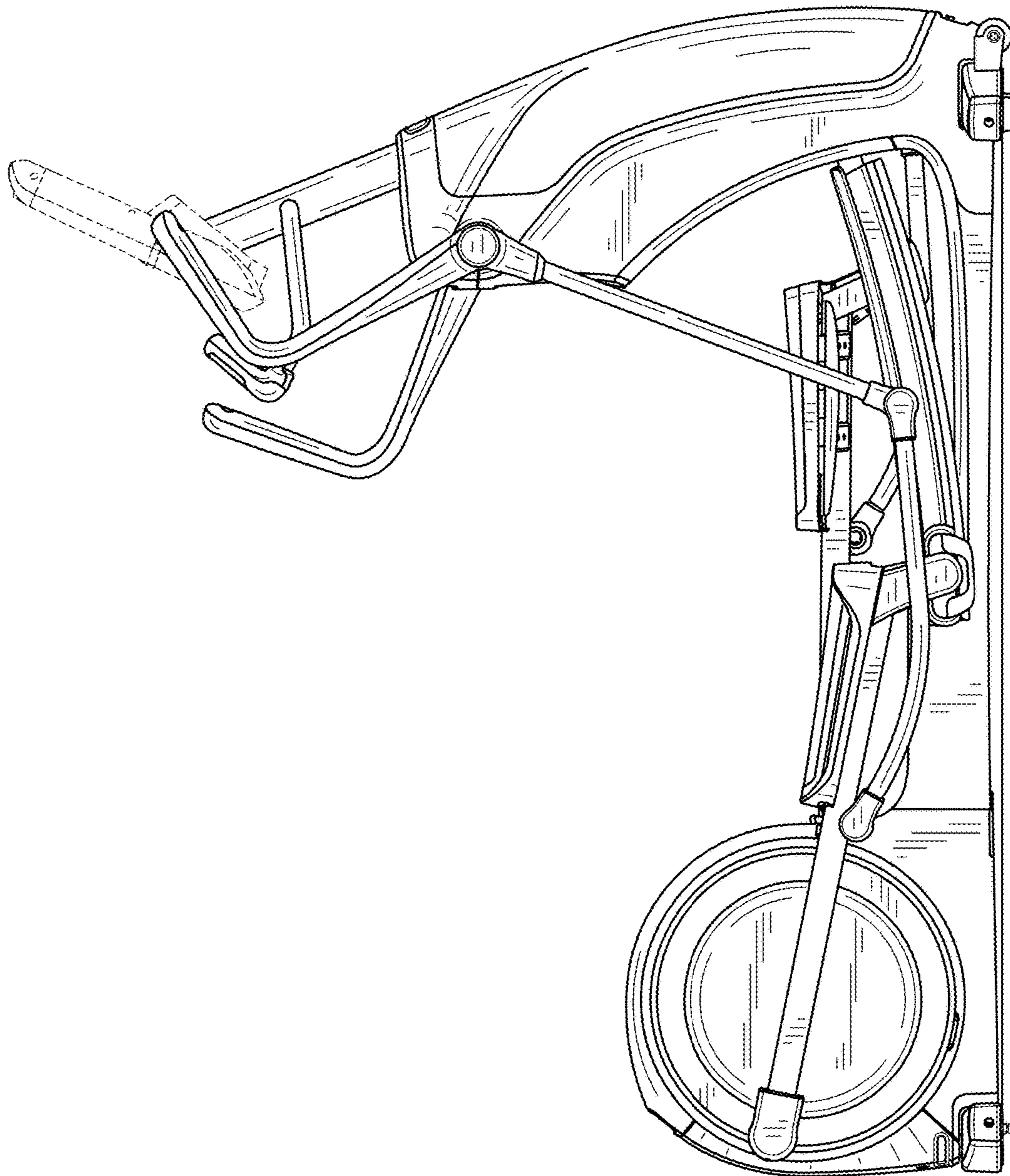


FIG. 3

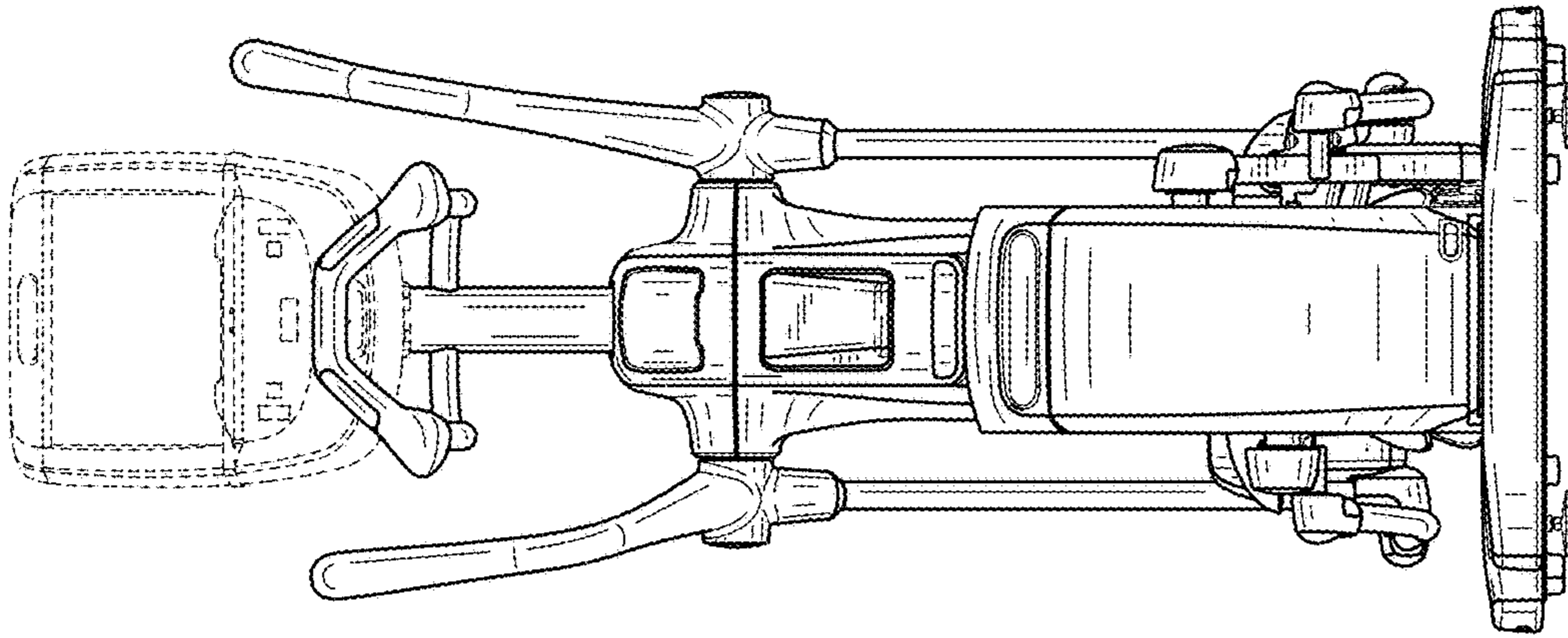


FIG. 5

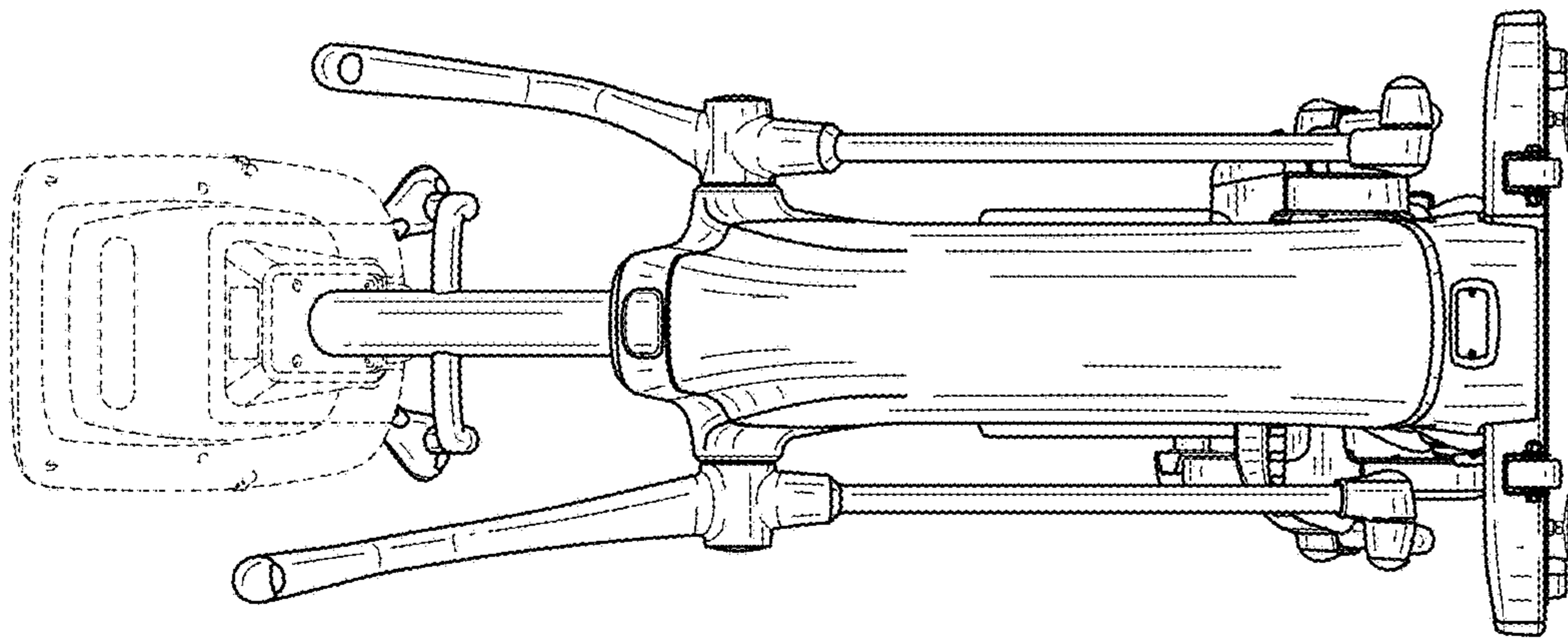


FIG. 4

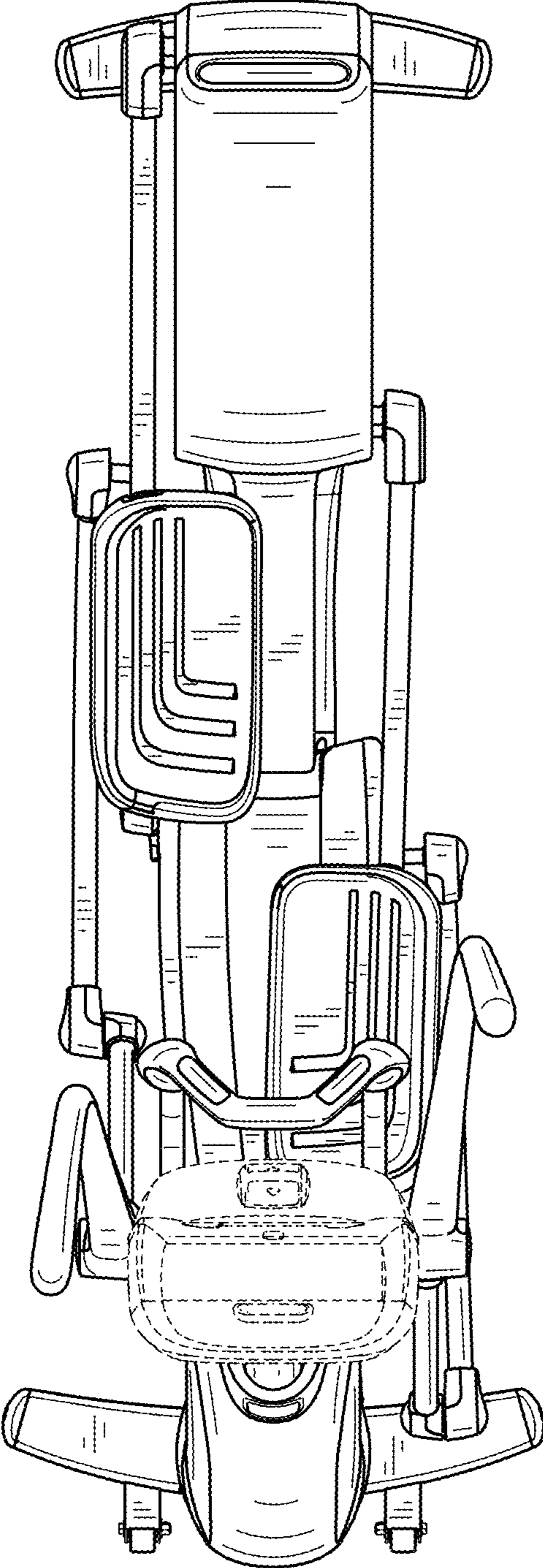


FIG. 6