



US00D801441S

(12) **United States Design Patent** (10) **Patent No.:** **US D801,441 S**
Weisman et al. (45) **Date of Patent:** **** Oct. 31, 2017**

(54) **PORTABLE SPRAYING DEVICE** D268,611 S * 4/1983 Klose D23/222
4,951,329 A * 8/1990 Shaw E03C 1/06
(71) Applicant: **Global Marketing Enterprise (GME)** D317,332 S * 6/1991 Williams D21/483
Ltd., Tel Aviv (IL) D317,348 S * 6/1991 Geneve D23/223
(72) Inventors: **Zafriira Weisman, Tel Aviv (IL); Israel** D320,642 S * 10/1991 Geneve D23/223
Zanger, Tel Aviv (IL) D348,505 S * 7/1994 Bosio D23/223
(**) Term: **15 Years** D352,347 S * 11/1994 Dannenberg D23/223
(21) Appl. No.: **29/591,646** D410,276 S * 5/1999 Ben-Tsur D23/223
(22) Filed: **Jan. 23, 2017** D411,606 S * 6/1999 Ouyoung D23/223
D418,207 S * 12/1999 Lord D23/255
6,082,633 A * 7/2000 Kephart B05B 3/06
239/211
D444,207 S * 6/2001 Tse D23/223
D446,842 S * 8/2001 Green D23/223

(Continued)

Related U.S. Application Data

(63) Continuation of application No. 29/519,850, filed on Mar. 9, 2015, now Pat. No. Des. 783,728.
(51) **LOC (10) Cl.** **21-01**
(52) **U.S. Cl.**
USPC **D21/473; D23/223**
(58) **Field of Classification Search**
USPC D21/398, 467, 468, 473, 474, 483, 493,
D21/526, 532, 542, 545, 811;
D23/213-216, 222, 223, 228, 229, 239,
D23/241, 283, 304; 446/153, 159, 161,
446/475, 483; 239/525, 526, 530
CPC A63H 23/00; A63H 33/00; A63H 33/30;
A63H 33/3022; A63H 33/3038; A63H
33/3061; A63H 23/02; A63H 23/04;
A63H 23/10; A63H 23/14; A63H 23/16;
B05B 1/18; B05B 1/185
See application file for complete search history.

FOREIGN PATENT DOCUMENTS

IL 56057 * 9/2016
IL 56130 * 9/2016
WO WO 2016038619 A2 * 3/2016 A63H 23/14

Primary Examiner — Catherine A Tuttle

(74) *Attorney, Agent, or Firm* — Haim M. Factor;
1st-Tech-Idea

(57) **CLAIM**

The ornamental design for a portable spraying device, as shown and described.

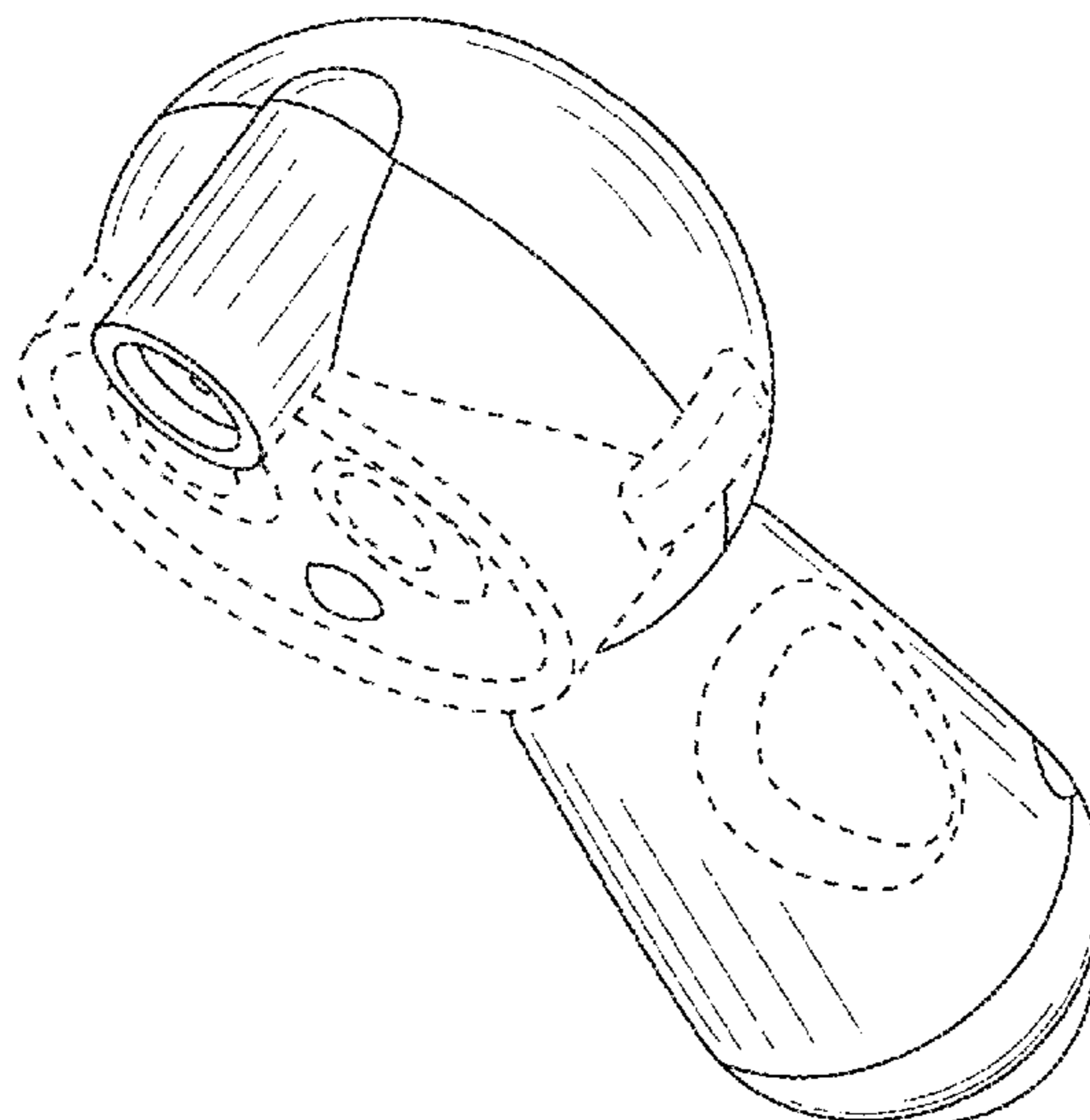
DESCRIPTION

FIG. 1 is a front and left perspective view of a portable spraying device showing our new design;
FIG. 2 is a rear view thereof;
FIG. 3 is a front view thereof;
FIG. 4 is a left view thereof;
FIG. 5 is a top view thereof; and,
FIG. 6 is a bottom view thereof.
The broken lines are included for the purpose of illustrating the portions of the portable spraying device that form no part of the claimed design.

(56) **References Cited**
U.S. PATENT DOCUMENTS

4,091,998 A * 5/1978 Peterson E03C 1/06
239/283
D251,678 S * 4/1979 Kwan D23/223
4,151,957 A * 5/1979 Gecewicz B05B 1/1663
239/381

1 Claim, 4 Drawing Sheets



(56)

References Cited

U.S. PATENT DOCUMENTS

D604,391 S *	11/2009	Christianson	D23/223
D694,360 S *	11/2013	Gaetano	D23/223
D783,728 S *	4/2017	Weisman	D21/473
2005/0106991 A1 *	5/2005	Marine	A63H 3/52 446/296

* cited by examiner

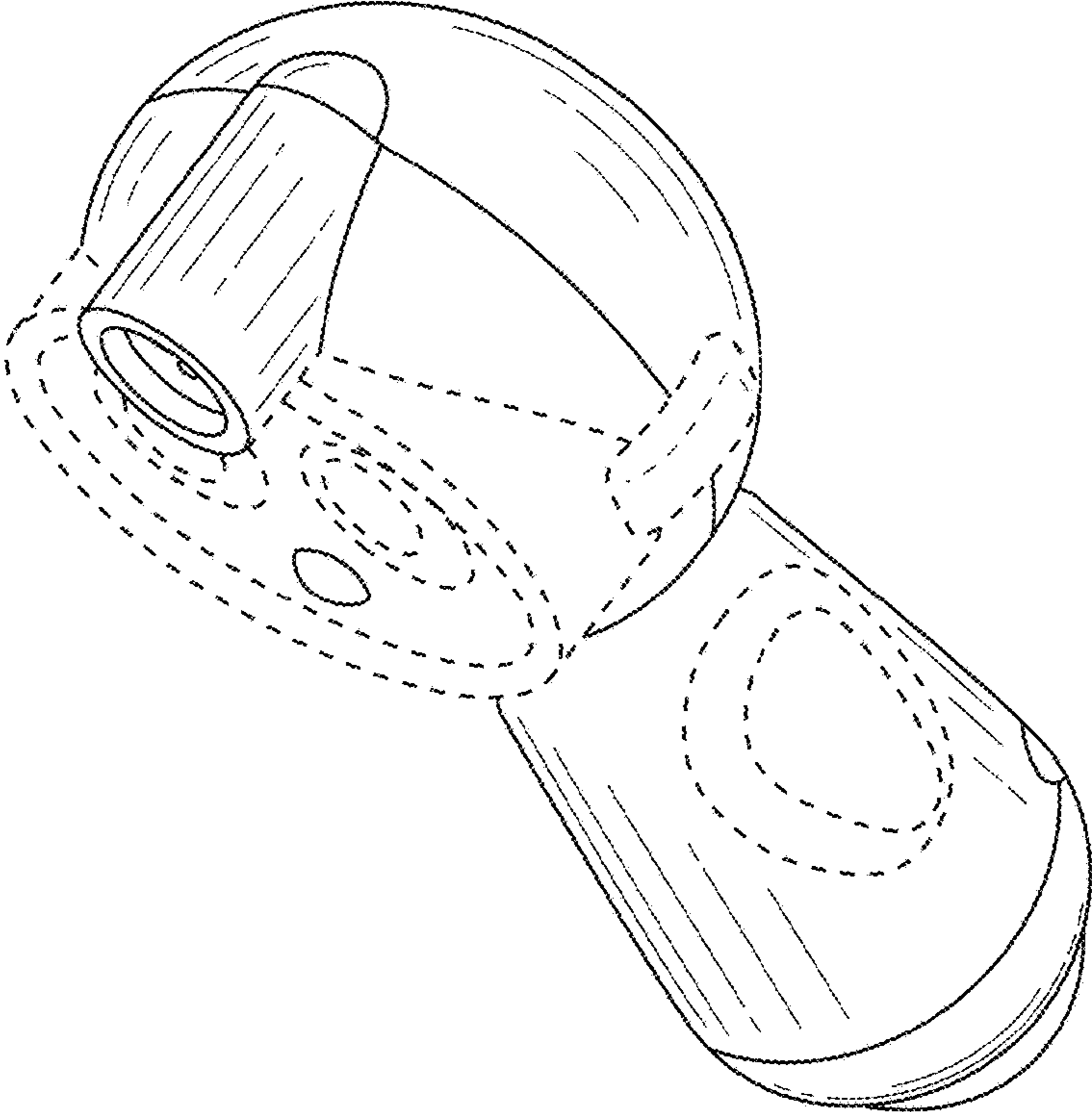


FIG. 1

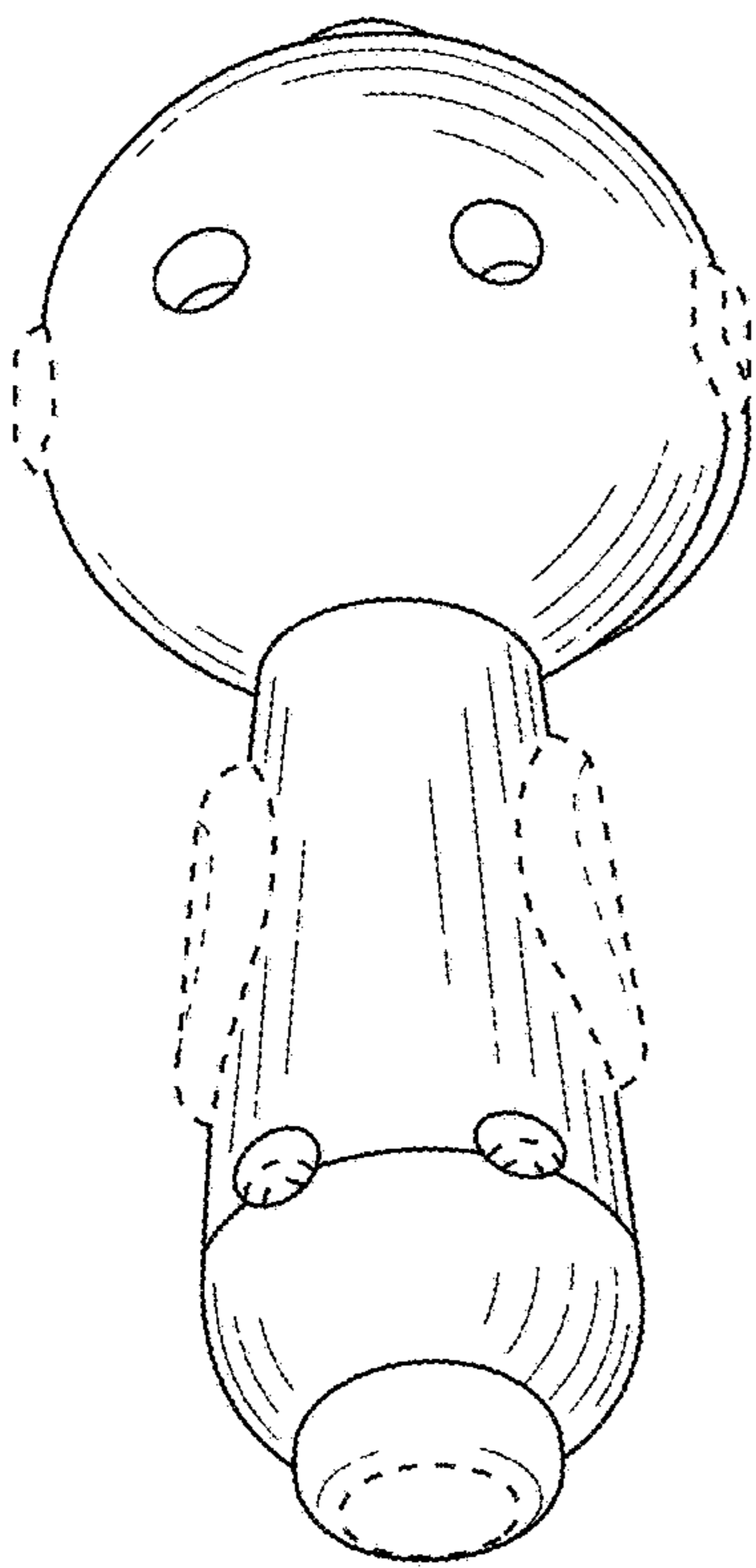


FIG. 2

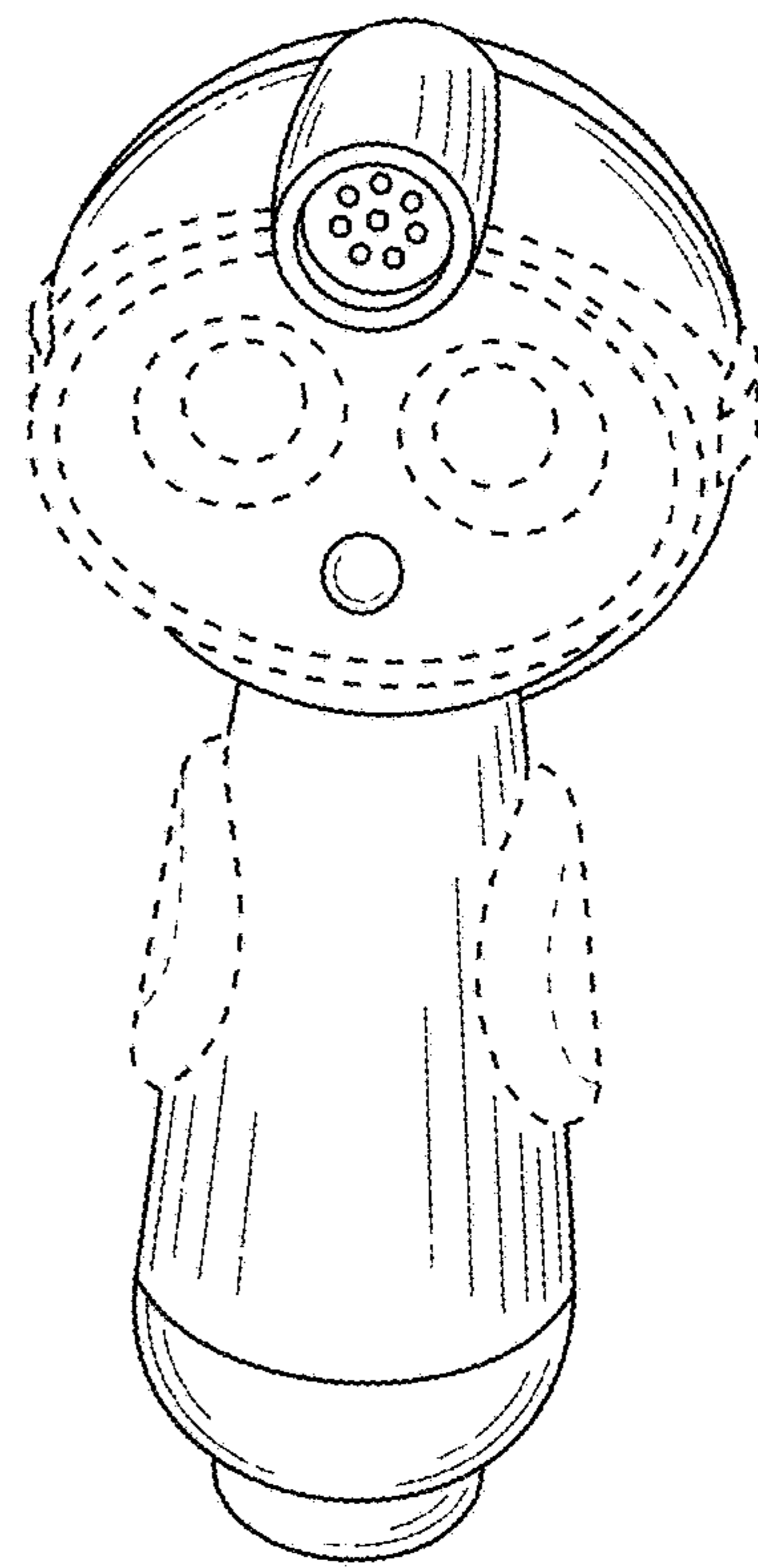


FIG. 3

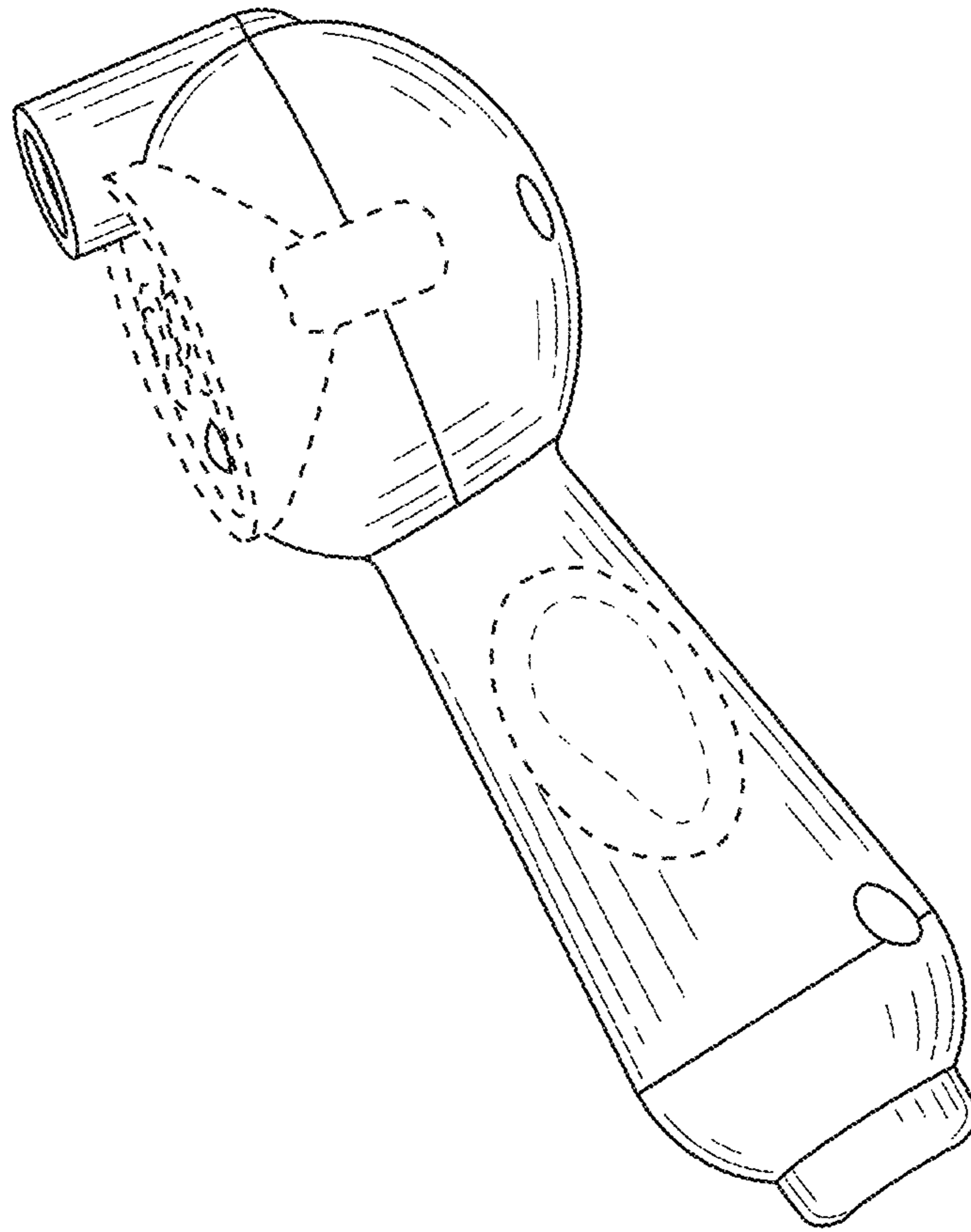


FIG. 4

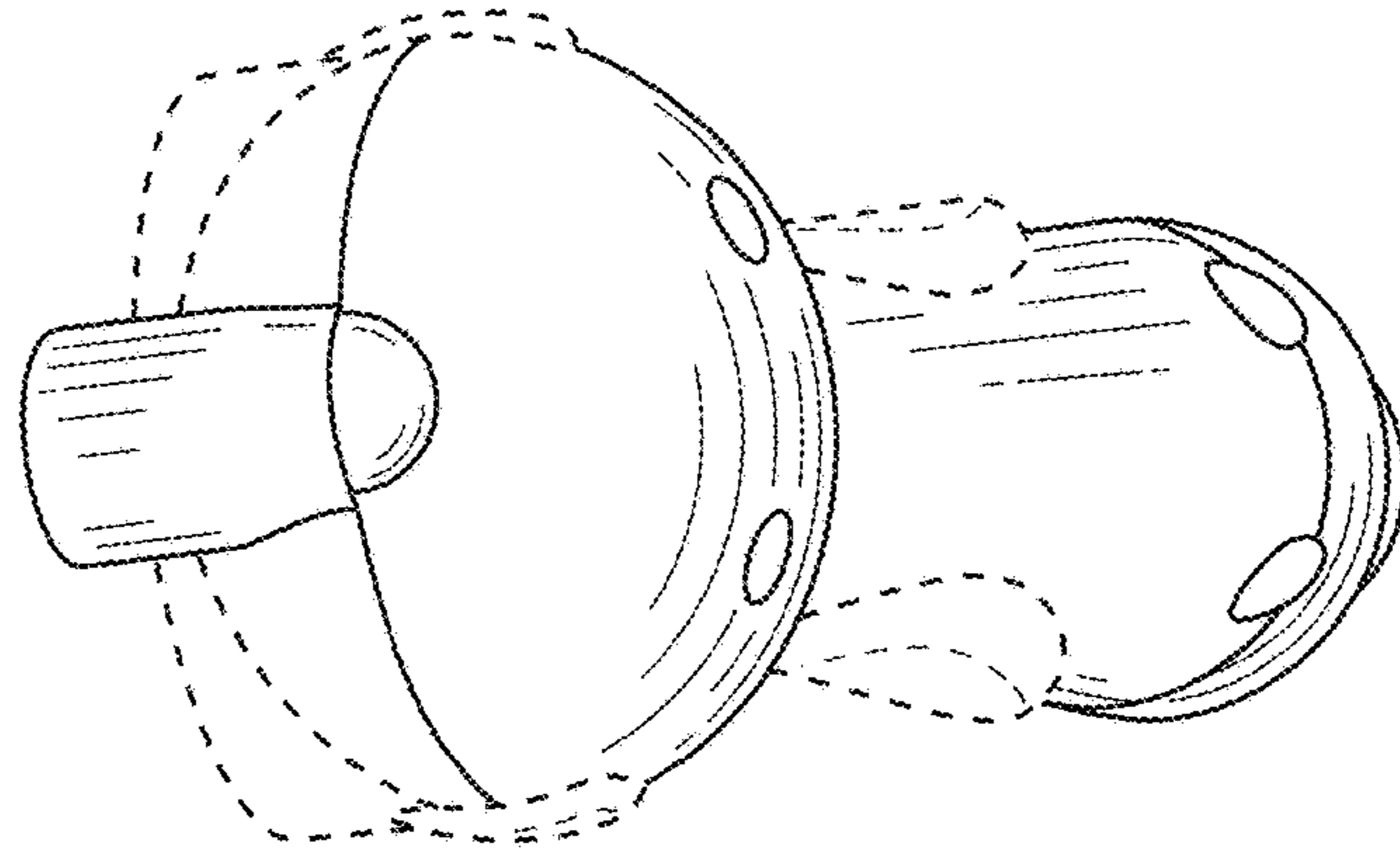


FIG. 5

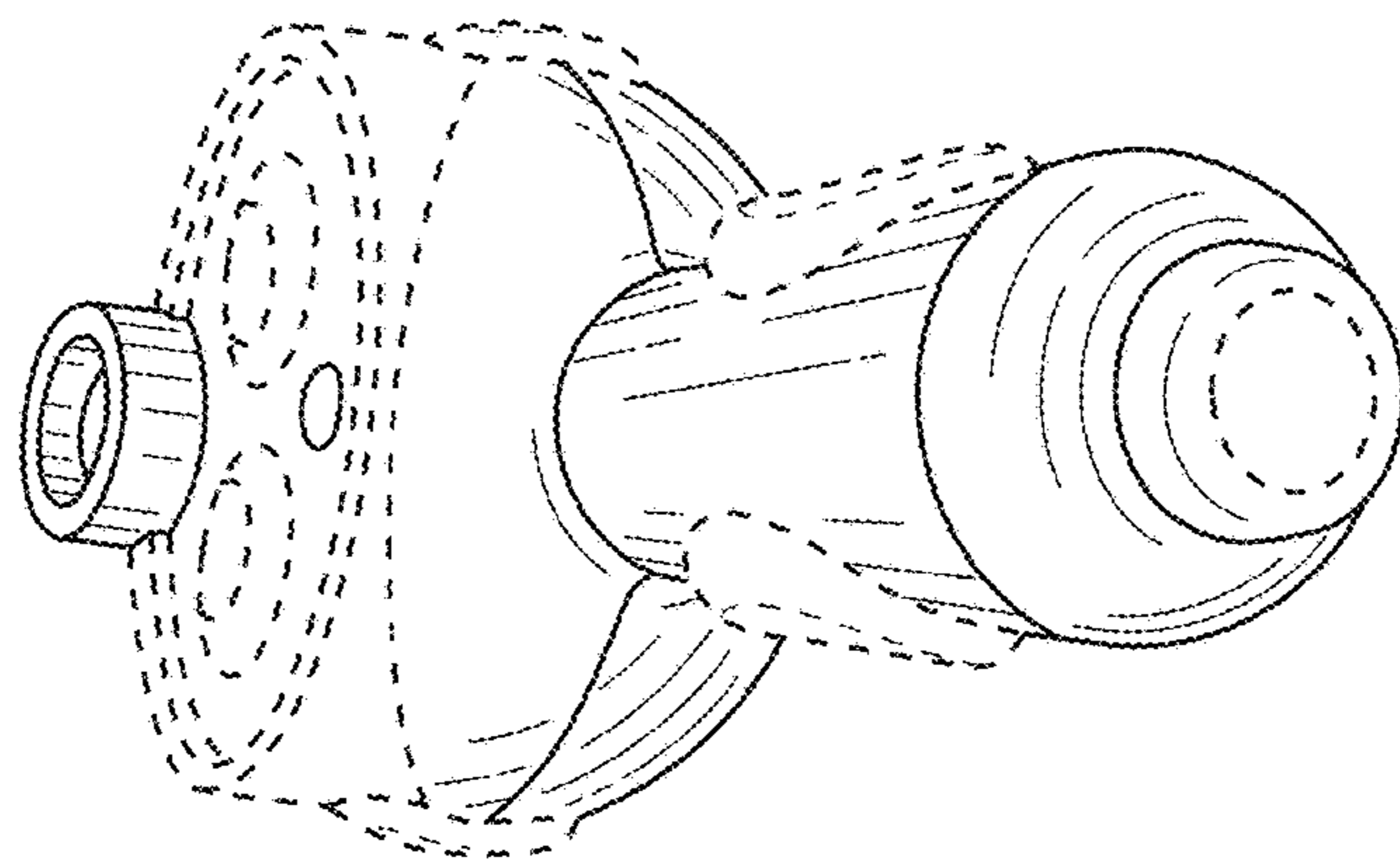


FIG. 6