



US00D801437S

(12) **United States Design Patent**
Hohman

(10) **Patent No.:** **US D801,437 S**
(45) **Date of Patent:** **** Oct. 31, 2017**

(54) **GAMING MACHINE**
(71) Applicant: **AGS, LLC**, Las Vegas, NV (US)
(72) Inventor: **Kevin Hohman**, North Las Vegas, NV (US)

6,699,122 B1 * 3/2004 Osawa G07F 17/3267
463/16
D488,061 S * 4/2004 Jacobson D21/370
6,857,958 B2 * 2/2005 Osawa G07F 17/3267
463/20
D554,709 S * 11/2007 Young D21/370
(Continued)

(73) Assignee: **AGS LLC**, Las Vegas, NY (US)

(**) Term: **15 Years**

(21) Appl. No.: **29/540,087**

(22) Filed: **Sep. 21, 2015**

(51) **LOC (10) Cl.** **21-03**

(52) **U.S. Cl.**
USPC **D21/370**

(58) **Field of Classification Search**
USPC D21/369, 370, 371, 385, 329, 325, 394;
D14/307, 172, 129, 325, 401, 371, 126,
D14/439, 432, 450, 128, 375; 463/28,
463/13, 11, 16, 20, 25, 31, 46, 23, 30, 17,
463/36, 29, 42, 34, 32, 35, 19, 21, 22;
273/292, 203, 138.2, 143 R, 142 R, 138.1;
D19/60; D16/226; D8/335, 331, 334;
D26/14

CPC G07F 17/32; G07F 17/34; G07F 17/3211;
G07F 17/3244; G07F 17/3267
See application file for complete search history.

(56) **References Cited**

U.S. PATENT DOCUMENTS

D361,516 S * 8/1995 Peersmann D10/6
D380,687 S * 7/1997 Hsu D10/6
D406,615 S * 3/1999 Griswold D21/370
D407,442 S * 3/1999 Thai D20/3
6,129,355 A * 10/2000 Hahn G07F 17/3213
273/138.1
6,626,761 B1 * 9/2003 Okada G07F 17/3227
463/16
6,695,697 B1 * 2/2004 Okada G07F 17/32
273/143 R

OTHER PUBLICATIONS

Big Red by AGS dated no date given. Found online [Feb. 23, 2017]
<http://www.playags.com/portfolio/big-red/>.
(Continued)

Primary Examiner — Robert M Spear
Assistant Examiner — Ryan Harvey
(74) *Attorney, Agent, or Firm* — Weide & Miller, Ltd.

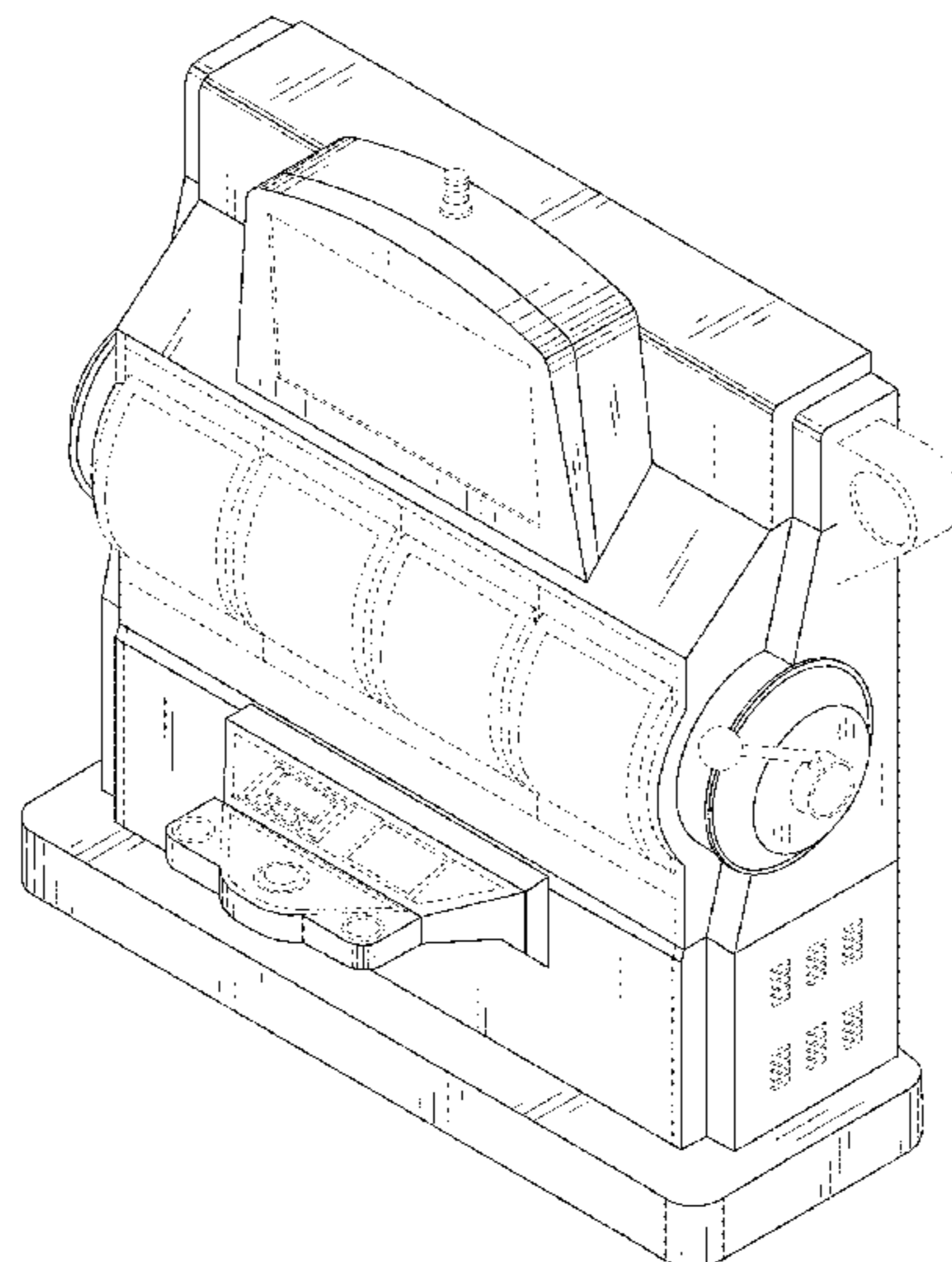
(57) **CLAIM**

The ornamental design for a gaming machine, as shown and described.

DESCRIPTION

FIG. 1 is a front isometric view of a gaming machine in accordance with the present invention;
FIG. 2 is a top plan view of the gaming machine illustrated in FIG. 1;
FIG. 3 is a front elevation view of the gaming machine illustrated in FIG. 1;
FIG. 4 is a first side view of the gaming machine illustrated in FIG. 1;
FIG. 5 is a second side view of the gaming machine illustrated in FIG. 1;
FIG. 6 is a rear elevation view of the gaming machine illustrated in FIG. 1; and,
FIG. 7 is a bottom plan view of the gaming machine illustrated in FIG. 1.
The broken line showing of portions of the gaming machine depicts environment and forms no part of the claim.

1 Claim, 4 Drawing Sheets



(56)

References Cited

U.S. PATENT DOCUMENTS

D611,996	S *	3/2010	Shimizu	D21/370
D616,042	S *	5/2010	Shimizu	D21/370
D622,782	S *	8/2010	Chudek	D21/385
D704,272	S *	5/2014	Kim	D21/369
D706,359	S *	6/2014	Wudtke	D21/369
2005/0096121	A1 *	5/2005	Gilliland	G07F 17/32 463/20
2006/0030392	A1 *	2/2006	Rodgers	G07F 17/3265 463/16
2006/0199638	A1 *	9/2006	Walker	G07F 17/3213 463/30

OTHER PUBLICATIONS

Photographs of Big Red slot machine; AGS, LLC; placed in use at the Thunder Valley Casino in CA, circa Jun. 2011.

* cited by examiner

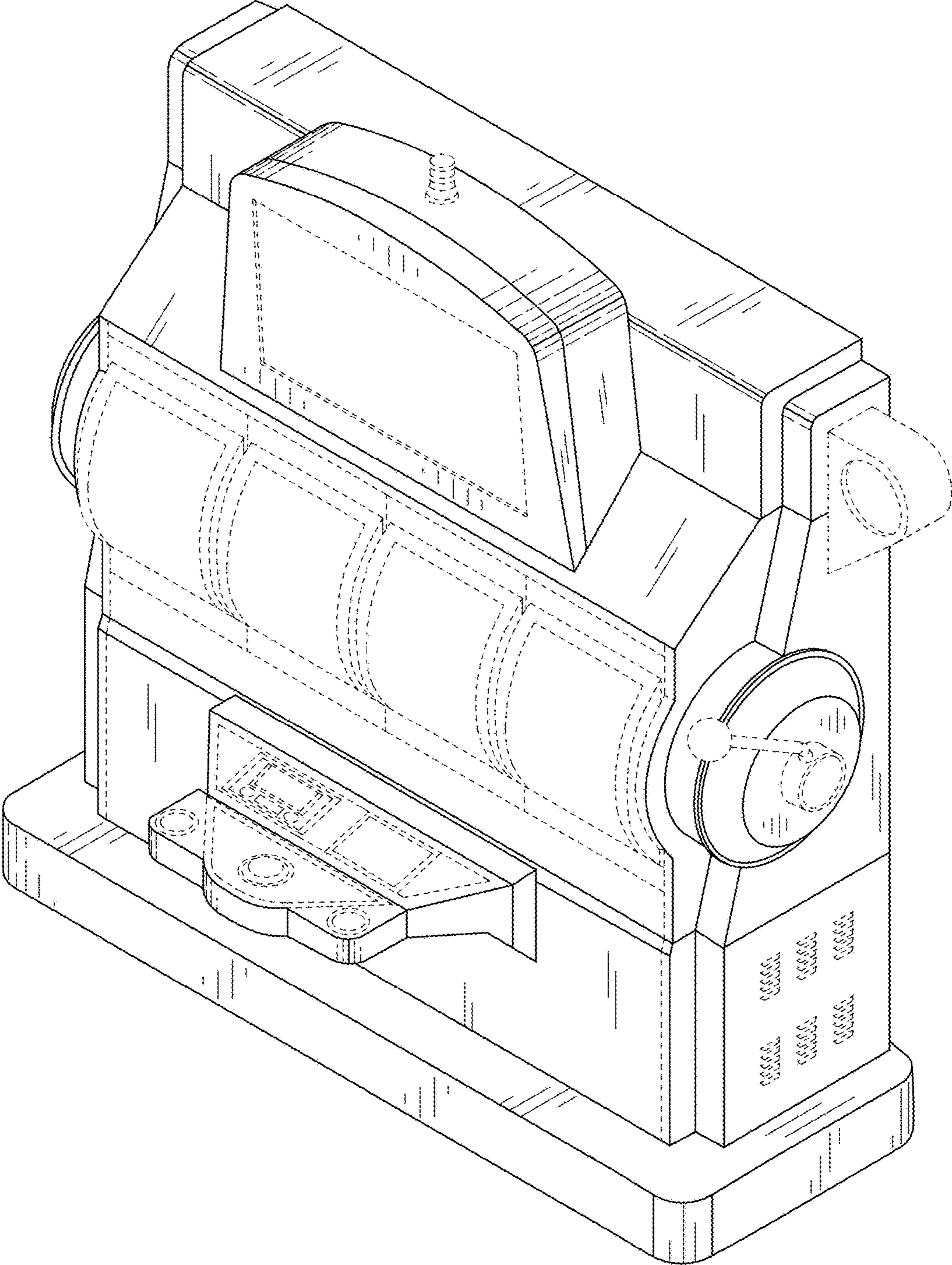


FIG. 1

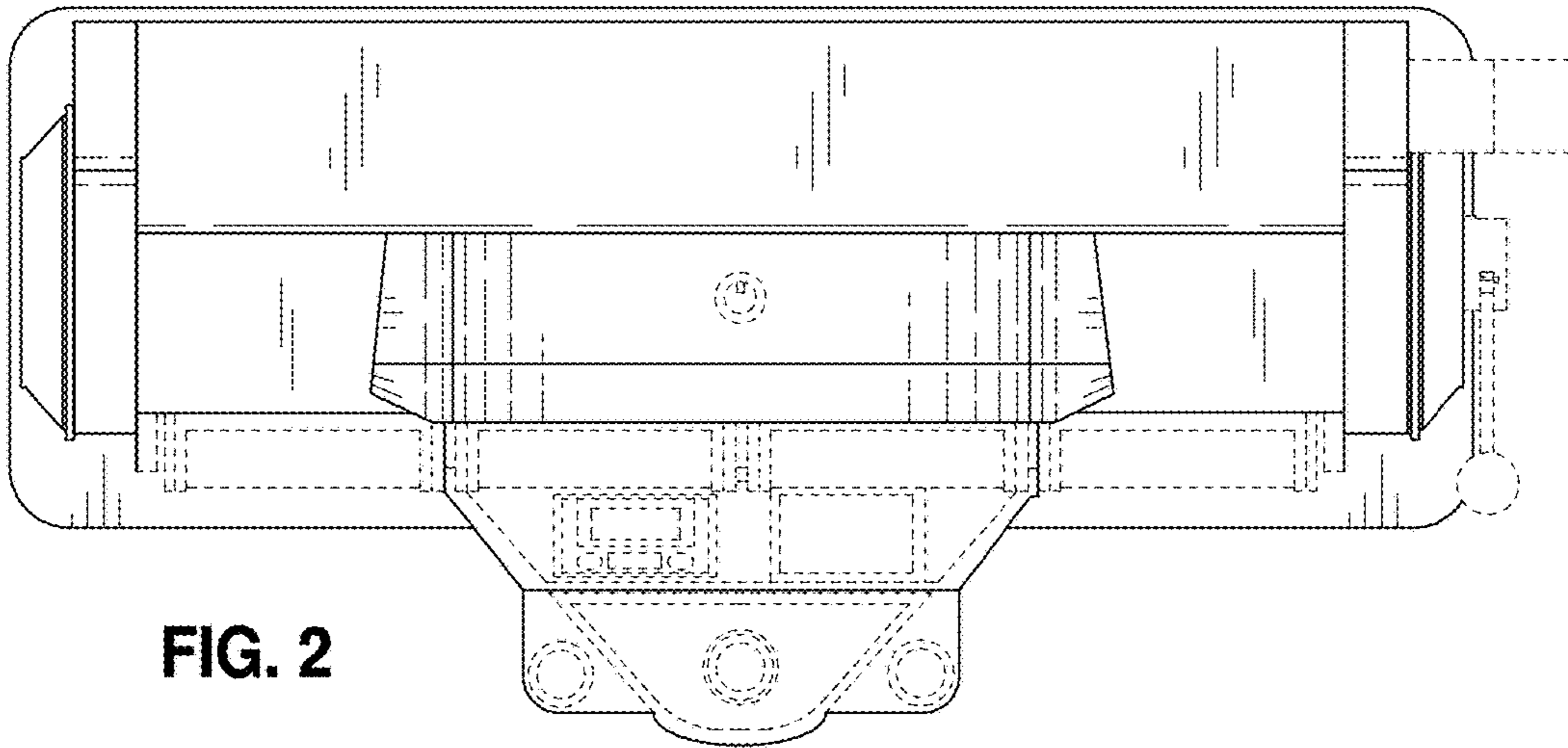


FIG. 2

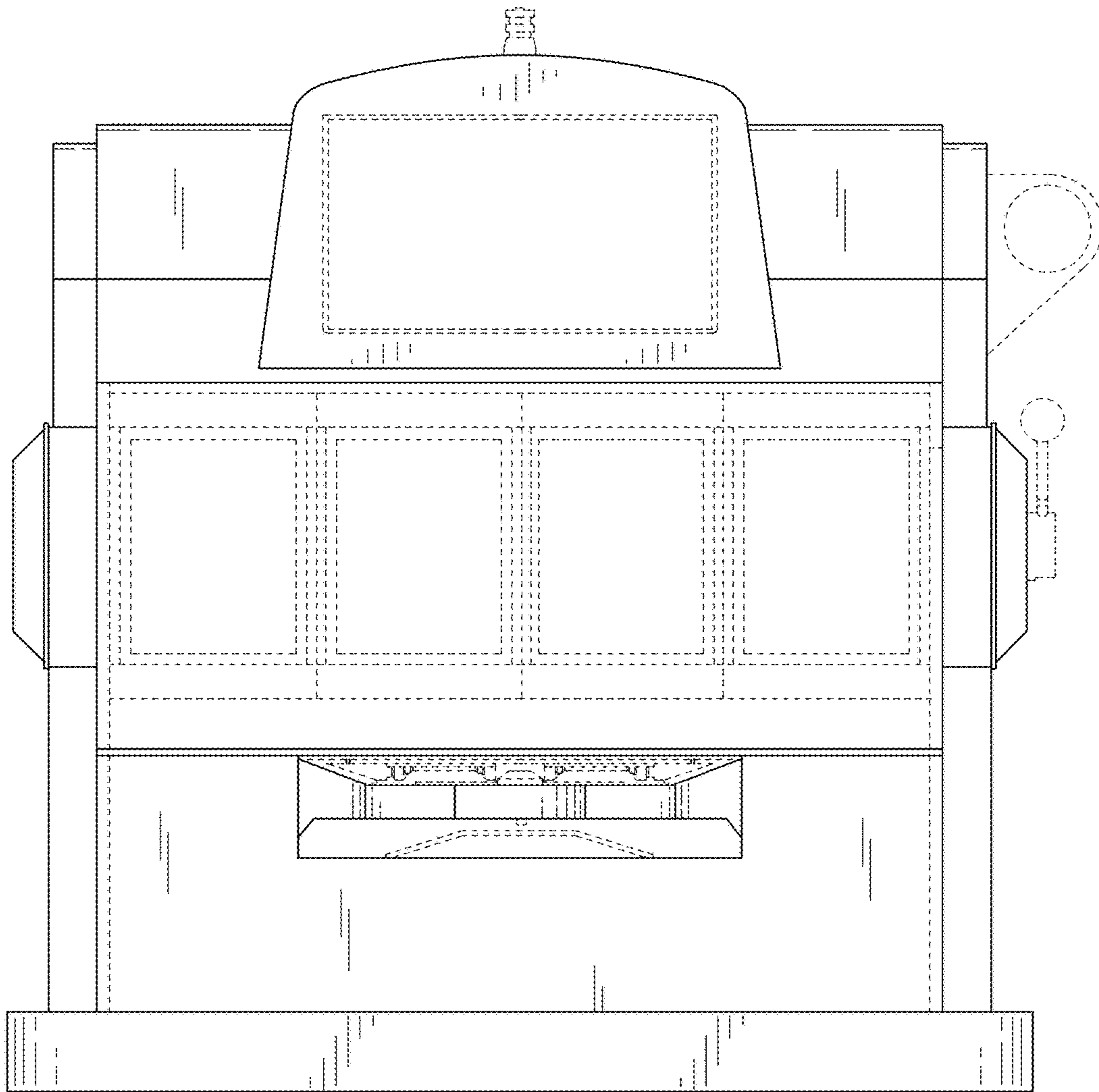


FIG. 3

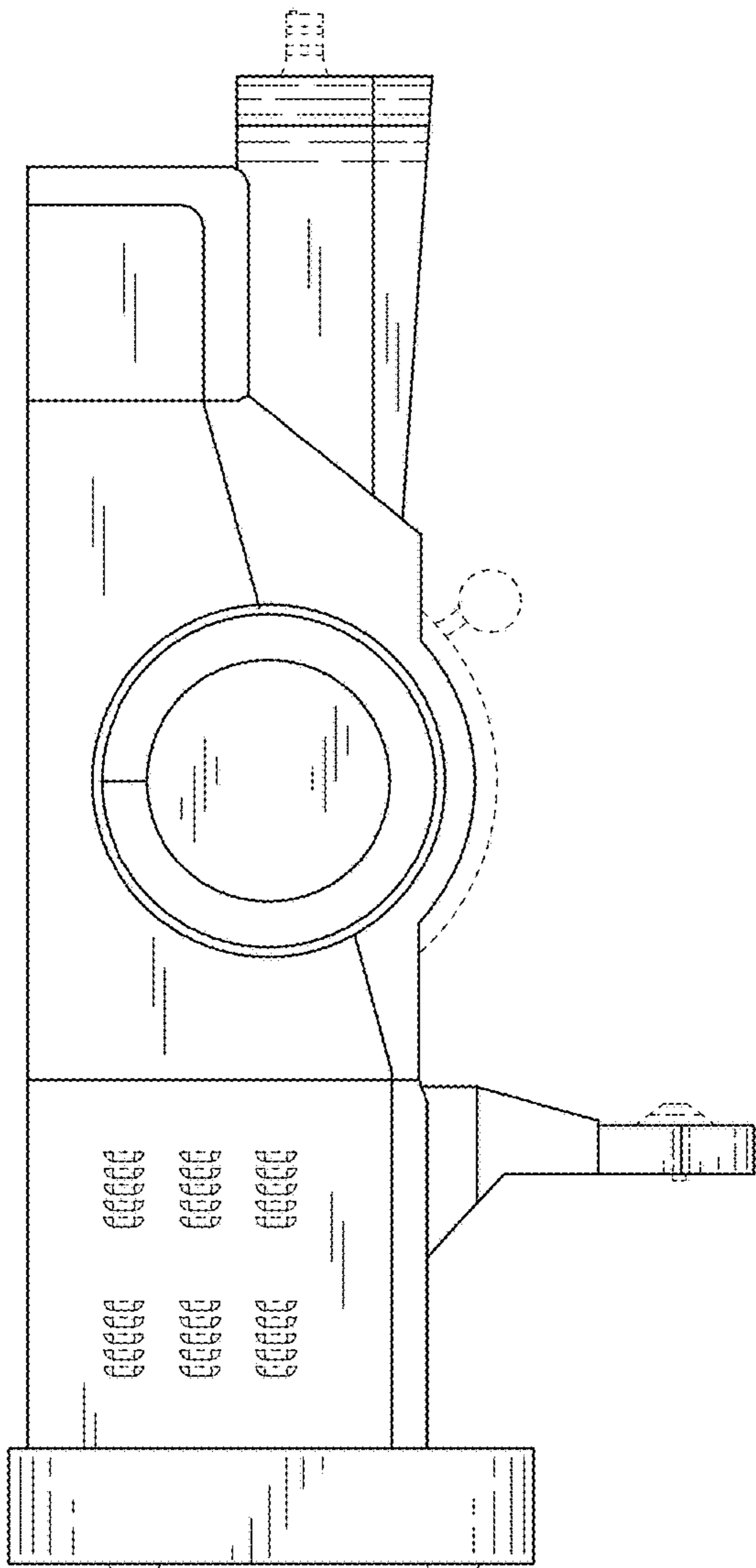


FIG. 4

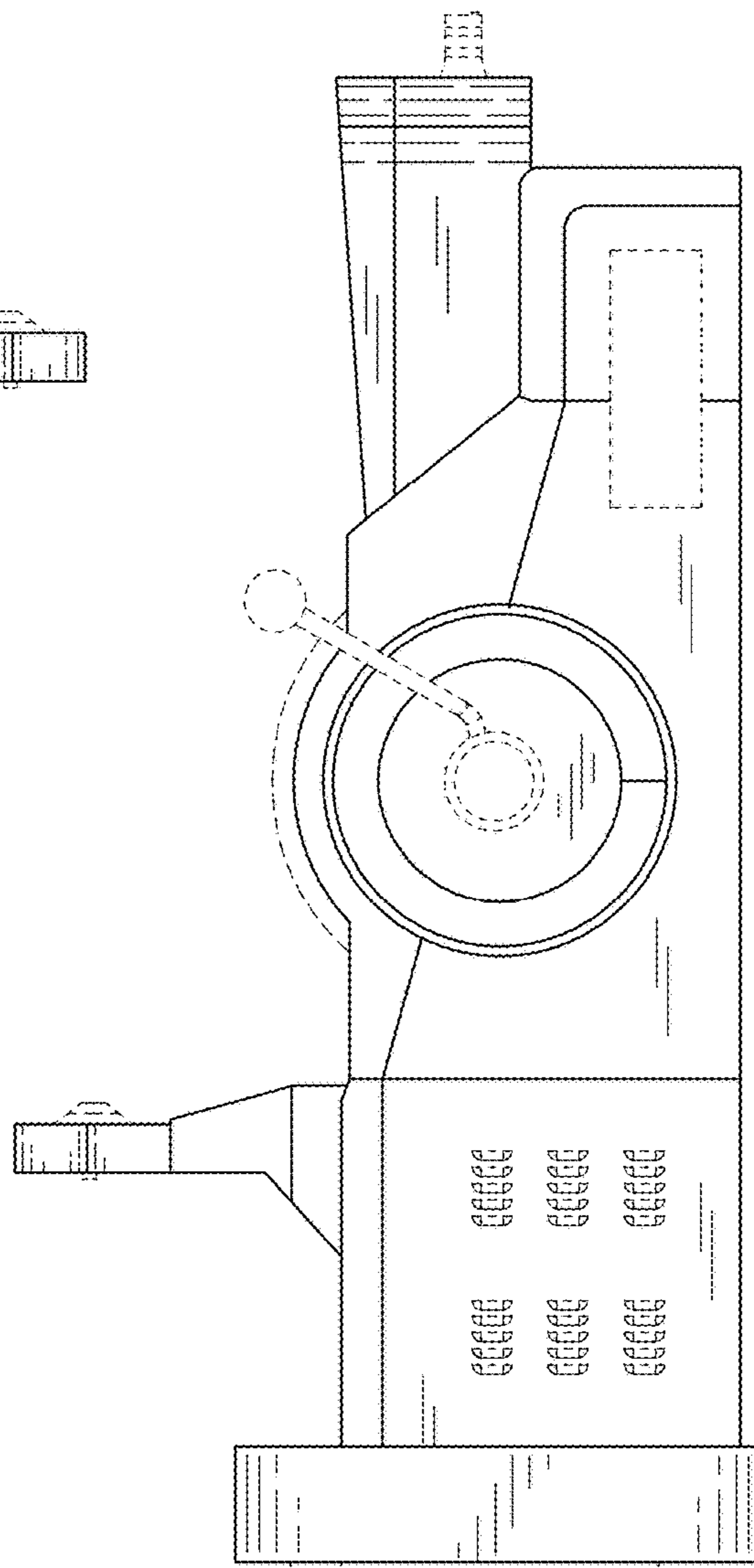


FIG. 5

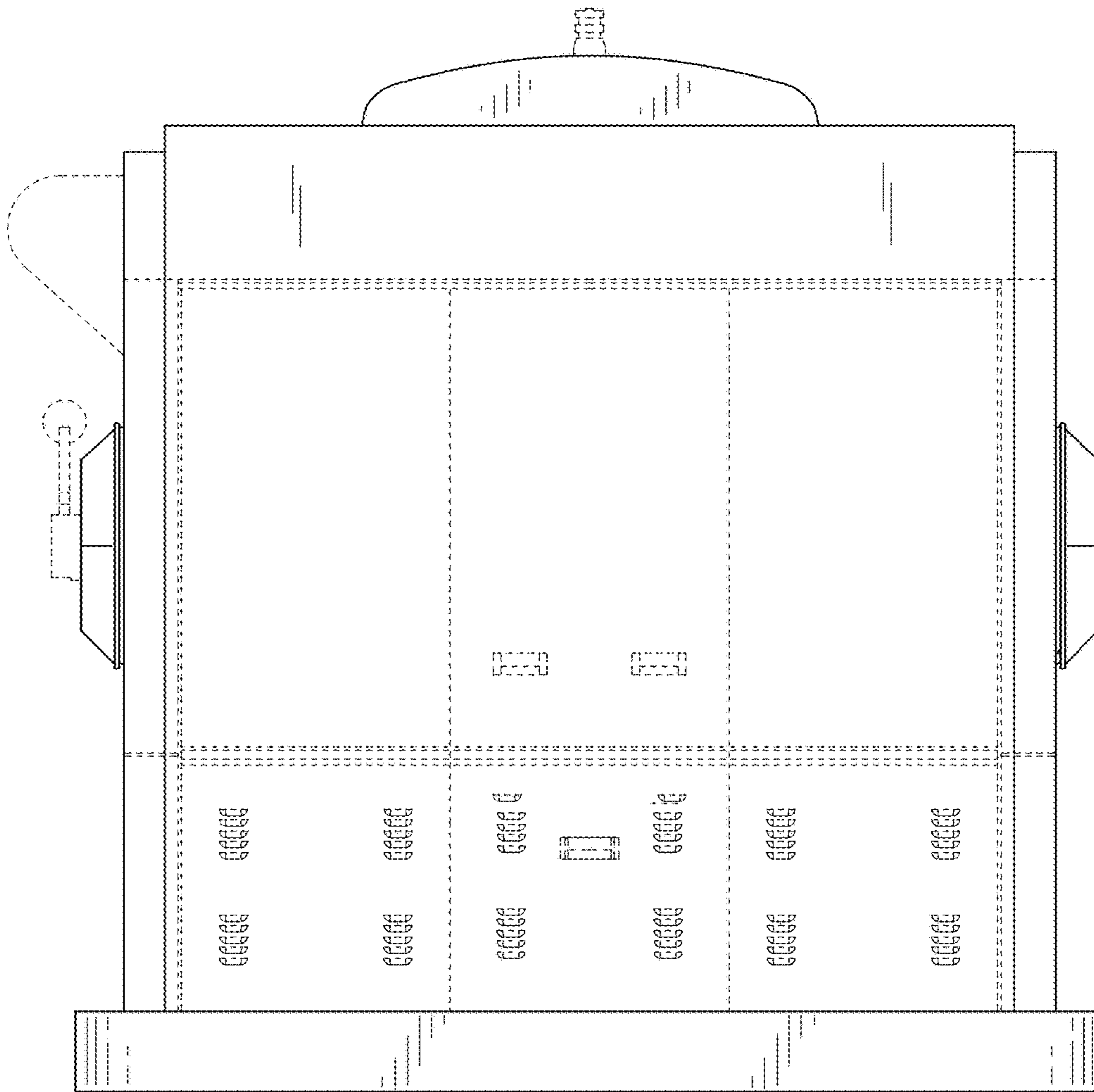


FIG. 6

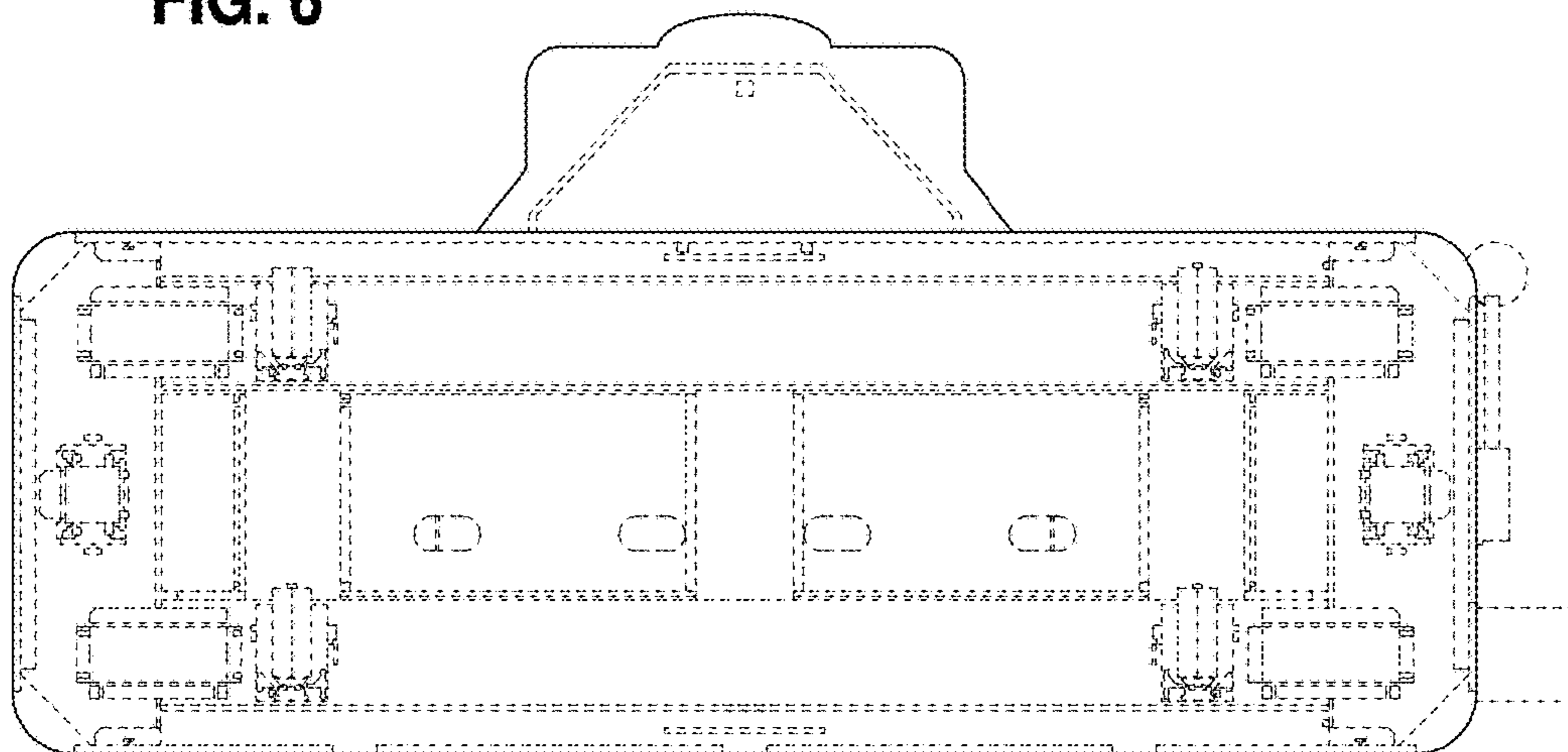


FIG. 7