



US00D801431S

(12) **United States Design Patent**  
**Kao et al.**

(10) **Patent No.:** **US D801,431 S**  
(45) **Date of Patent:** **\*\* Oct. 31, 2017**

- (54) **3D PRINTING PEN**
- (71) Applicants: **XYZPRINTING, INC.**, New Taipei (TW); **KINPO ELECTRONICS, INC.**, New Taipei (TW); **CAL-COMP ELECTRONICS & COMMUNICATIONS COMPANY LIMITED**, New Taipei (TW)
- (72) Inventors: **Chieh Kao**, New Taipei (TW); **Wen-Chun Chung**, New Taipei (TW); **Chun-An Hsu**, New Taipei (TW)
- (73) Assignees: **XYZPRINTING, INC.**, New Taipei (TW); **KINPO ELECTRONICS, INC.**, New Taipei (TW); **CAL-COMP ELECTRONICS & COMMUNICATIONS COMPANY LIMITED**, New Taipei (TW)

- D303,271 S \* 9/1989 Lord ..... D19/188
- D305,975 S \* 2/1990 Emmerling ..... D4/199
- D308,622 S \* 6/1990 Fushiya ..... D8/30
- D324,699 S \* 3/1992 Ohashi ..... D19/188
- D371,747 S \* 7/1996 Strader ..... D10/78
- D391,820 S \* 3/1998 Bunyea ..... D8/61
- D407,533 S \* 3/1999 Watanabe ..... D28/58
- D423,897 S \* 5/2000 Cooper ..... D8/61
- D439,978 S \* 4/2001 Ark ..... D24/140
- D441,267 S \* 5/2001 Heun ..... B25F 5/02  
D8/61
- D474,508 S \* 5/2003 Lammers ..... D19/73
- D497,640 S \* 10/2004 Qiu ..... D19/167
- 7,310,881 B2 \* 12/2007 Ohuka ..... B43K 19/14  
30/456
- D584,355 S \* 1/2009 Hidaka ..... D14/411

(Continued)

*Primary Examiner* — Elizabeth Albert

(74) *Attorney, Agent, or Firm* — Chun-Ming Shih; HDLS IPR Services

(\*\*) Term: **15 Years**

(21) Appl. No.: **29/550,575**

(22) Filed: **Jan. 5, 2016**

(51) **LOC (10) Cl.** ..... **19-06**

(52) **U.S. Cl.**  
USPC ..... **D19/177**; D19/913; D19/917; D19/934

(58) **Field of Classification Search**  
USPC ..... D14/411; D19/115–204  
CPC ... B43K 5/00; B43K 7/00; B43K 7/12; B43K 8/04; B43K 8/06; B43K 19/00; B43K 19/02; B43K 19/14; B43K 24/08  
See application file for complete search history.

(56) **References Cited**

U.S. PATENT DOCUMENTS

- 2,762,336 A \* 9/1956 Estes ..... B43K 23/016  
401/83
- D210,066 S \* 2/1968 Johnson ..... D4/101

(57) **CLAIM**

The ornamental design for a 3D printing pen, as shown and described.

**DESCRIPTION**

FIG. 1 is a perspective view of a 3D printing pen showing our new design;  
 FIG. 2 is a front view thereof;  
 FIG. 3 is a rear view thereof;  
 FIG. 4 is a left side view thereof;  
 FIG. 5 is a right side view thereof;  
 FIG. 6 is a top view thereof;  
 FIG. 7 is a bottom view thereof; and,  
 FIG. 8 is the second perspective view showing the 3D printing pen.  
 The evenly spaced broken lines in the drawings represent unclaimed subject matter and form no part of the claimed design. The long and short broken lines in the drawings that define the bounds of the claimed design form no part thereof.

**1 Claim, 8 Drawing Sheets**



(56)

**References Cited**

## U.S. PATENT DOCUMENTS

D585,997	S	*	2/2009	Adam	.....	D24/107
D595,718	S	*	7/2009	Richter	.....	D14/411
D639,856	S	*	6/2011	Åhman	.....	D19/188
D670,699	S	*	11/2012	Sato	.....	D14/411
D686,621	S	*	7/2013	Pawlus	.....	D14/411
D688,109	S	*	8/2013	Vanderbeek	.....	D8/61
D688,792	S	*	8/2013	Guarraia	.....	D24/113
D714,386	S	*	9/2014	Au	.....	D19/204
9,067,458	B1	*	6/2015	Mock	.....	B43K 23/008
D746,377	S	*	12/2015	Au	.....	D19/117
D749,173	S	*	2/2016	Walker	.....	D19/180
D760,838	S	*	7/2016	Wiseman	.....	D19/130
D763,501	S	*	8/2016	McGarry	.....	D27/101
D765,179	S	*	8/2016	Simon	.....	D19/177
D785,093	S	*	4/2017	Hsu	.....	D19/179
D789,453	S	*	6/2017	Walker	.....	D19/180
2007/0274765	A1	*	11/2007	Brand	.....	B43K 8/022 401/108

\* cited by examiner

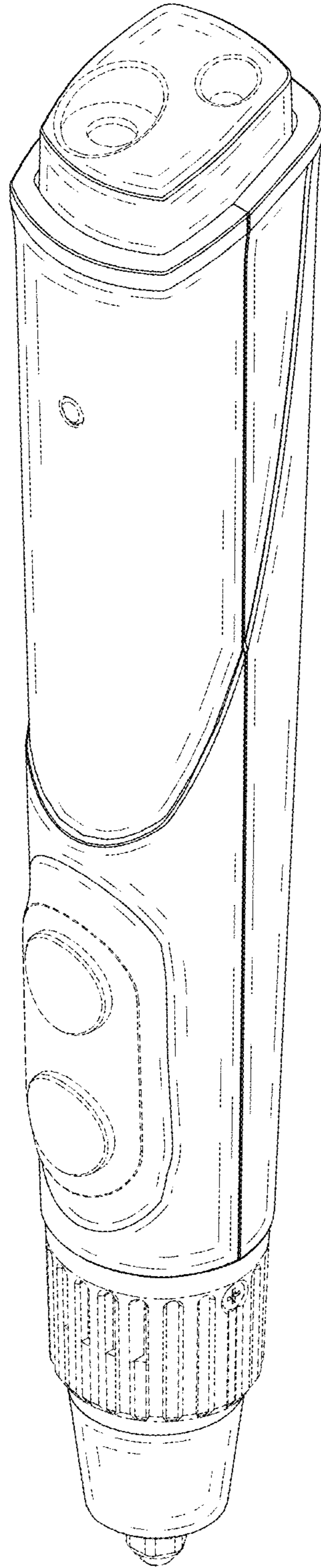


FIG.1

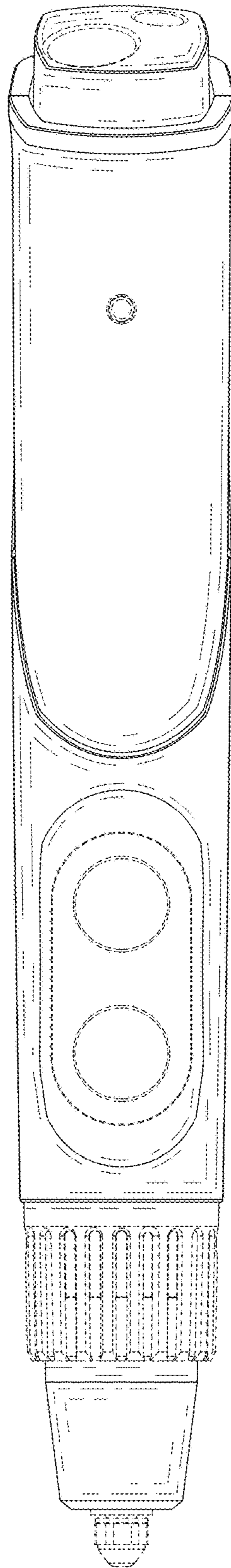


FIG.2

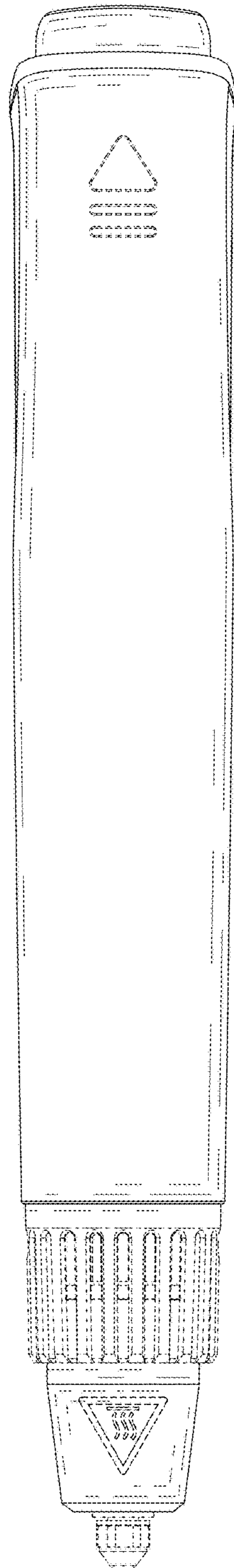


FIG.3



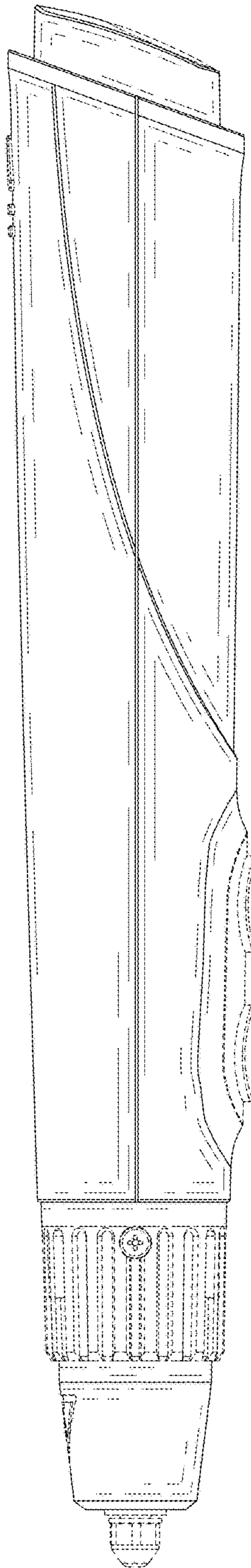


FIG.4

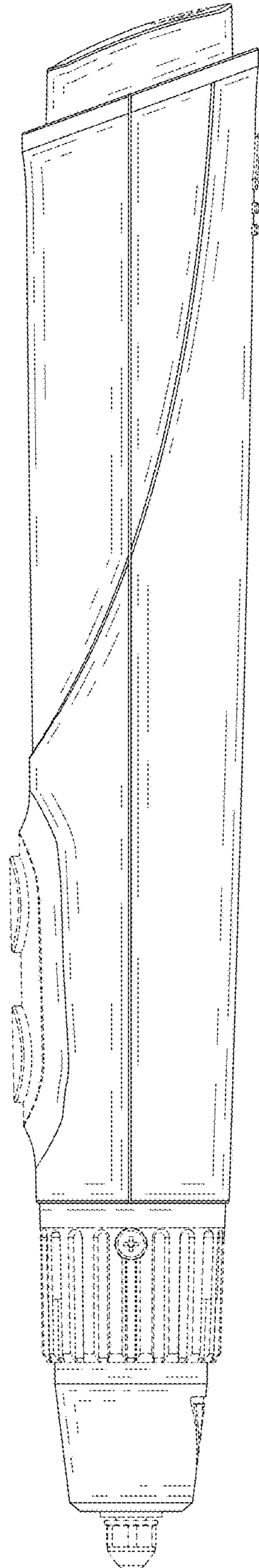


FIG.5

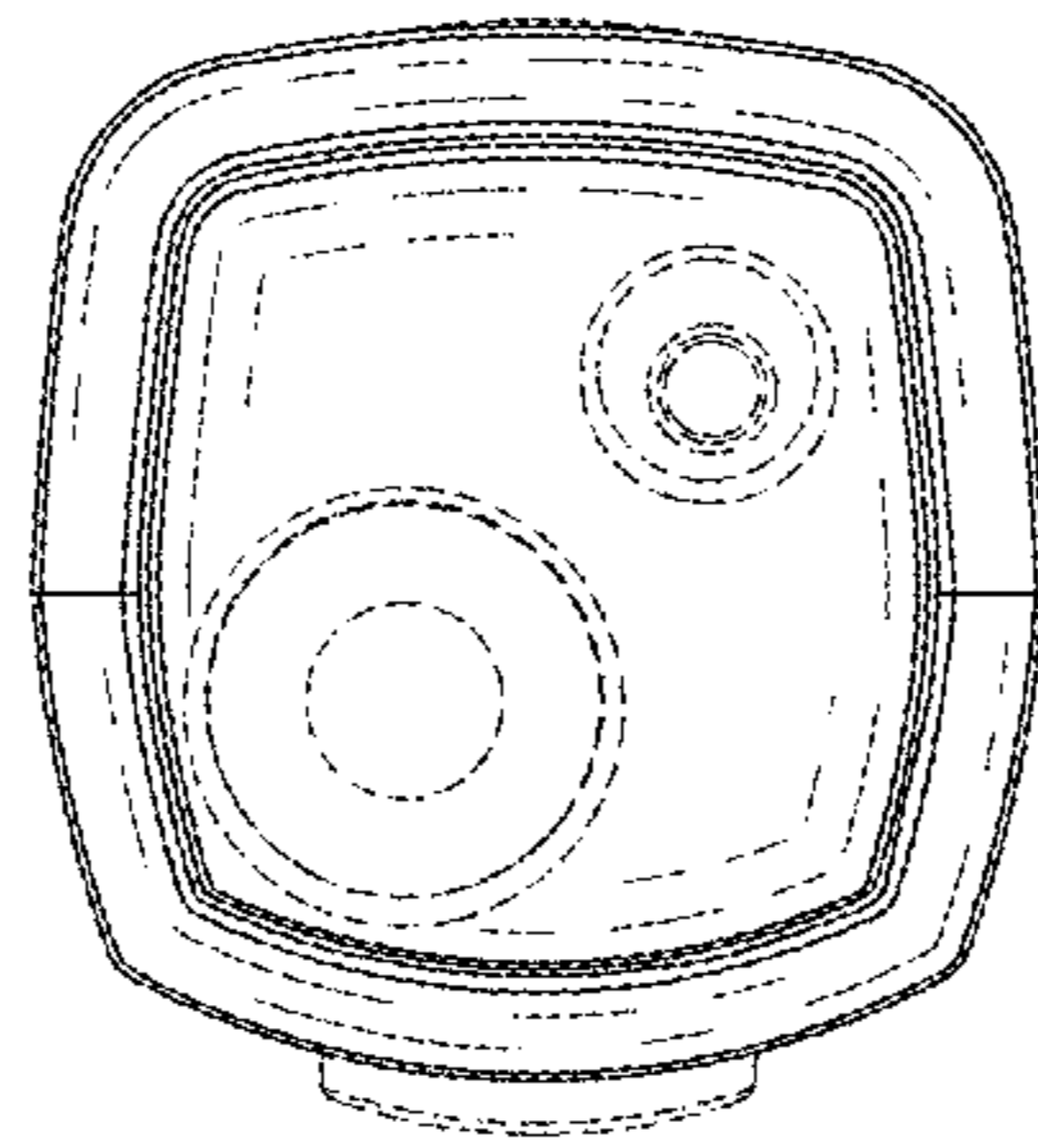


FIG.6



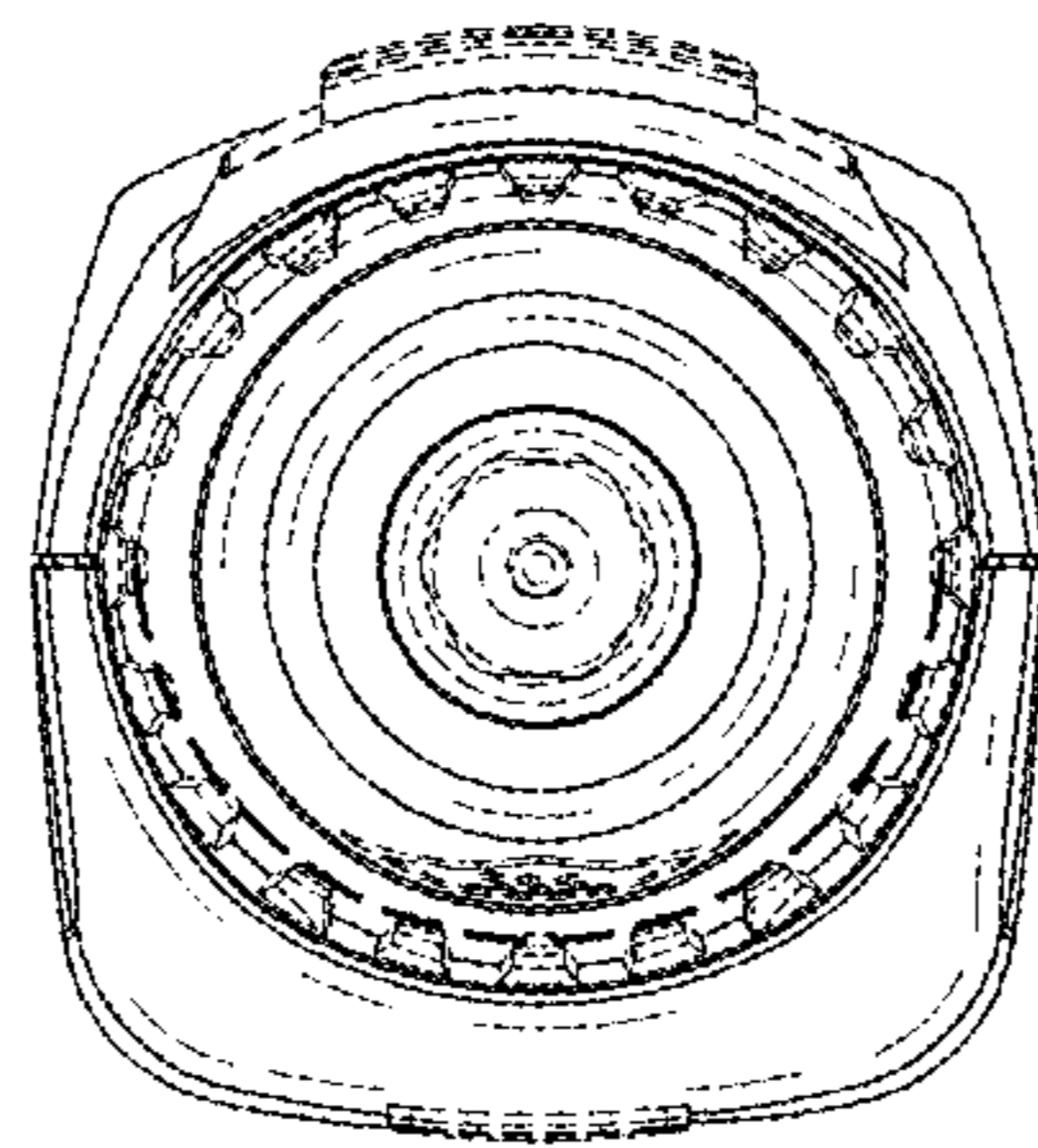


FIG.7

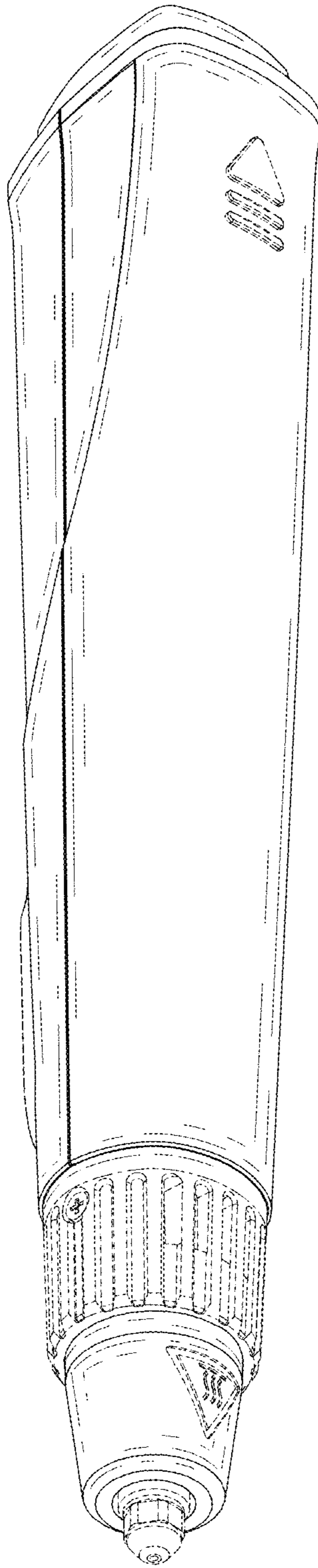


FIG. 8