



US00D801426S

(12) **United States Design Patent**
Campling

(10) **Patent No.:** **US D801,426 S**

(45) **Date of Patent:** **** *Oct. 31, 2017**

(54) **CAPO**
(71) Applicant: **C7th Limited**, Peterborough (GB)
(72) Inventor: **Nicholas John Campling**, Peterborough (GB)
(73) Assignee: **C7th Limited**, Peterborough (GB)
(*) Notice: This patent is subject to a terminal disclaimer.
(**) Term: **15 Years**

D257,988 S * 1/1981 Nakamoto 84/318
4,250,790 A * 2/1981 Shubb G10D 3/043
84/318
5,792,969 A * 8/1998 Shubb G10D 3/043
84/318
6,008,441 A * 12/1999 Steinberger G10D 3/043
84/318
D446,540 S * 8/2001 Elliott 84/318
6,410,832 B1 6/2002 Sterner
D521,048 S * 5/2006 Steinberger D17/20
D574,416 S * 8/2008 Small D17/20
D717,367 S * 11/2014 Kyser D17/20
9,368,091 B2 * 6/2016 Skutt
D768,233 S * 10/2016 Campling D17/20

(21) Appl. No.: **29/565,774**
(22) Filed: **May 24, 2016**

* cited by examiner

Primary Examiner — John Windmuller
Assistant Examiner — Benjamin Weeks

(30) **Foreign Application Priority Data**
Dec. 2, 2015 (EP) 002886622-0001
(51) **LOC (10) Cl.** **17-03**
(52) **U.S. Cl.**
USPC **D17/20**
(58) **Field of Classification Search**
USPC D12/194; D17/14, 19, 21, 22, 99;
D21/405
CPC G10D 13/003; G10D 3/043; G10D 1/02;
G10D 3/06
See application file for complete search history.

(57) **CLAIM**

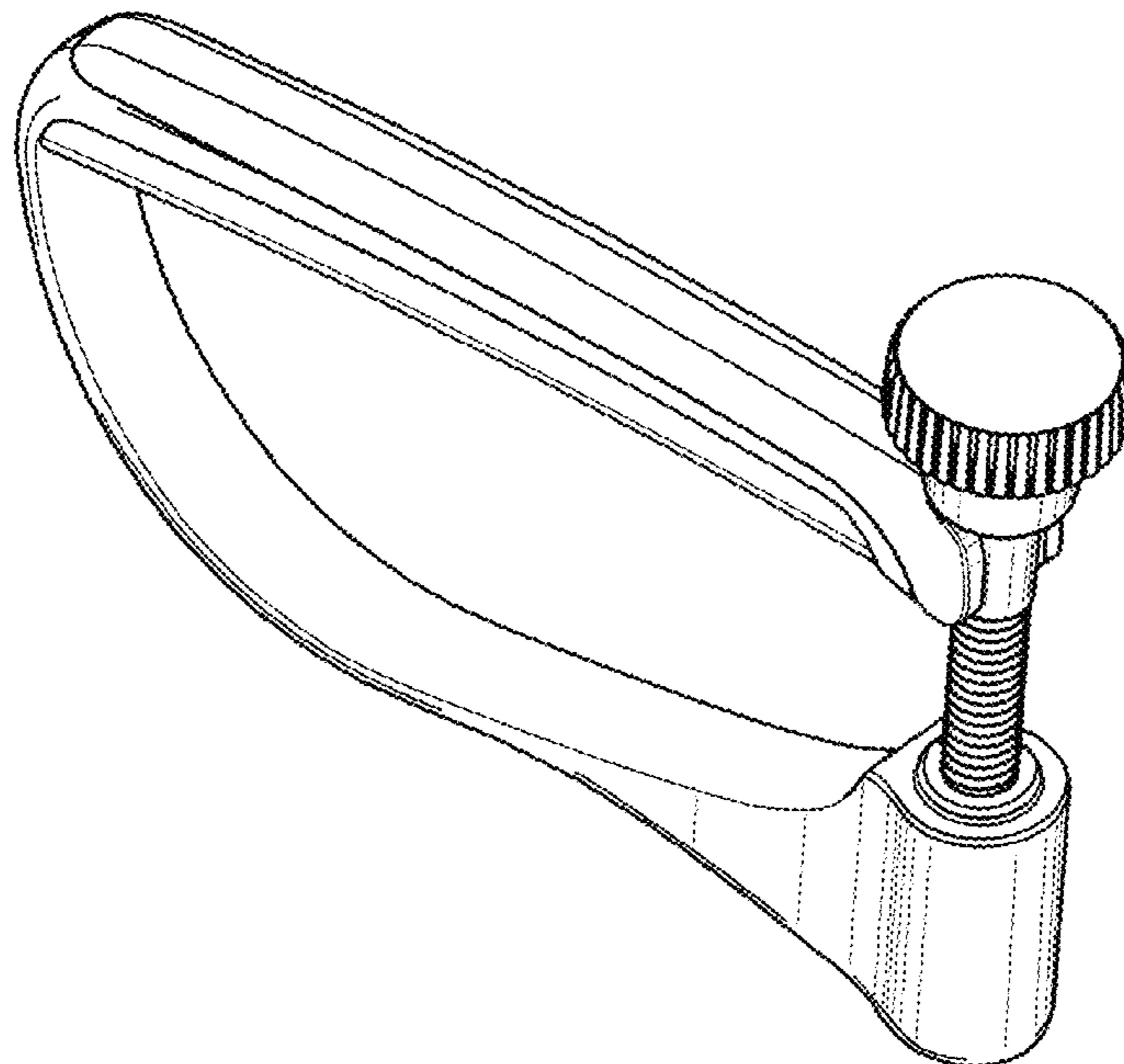
The ornamental design for a capo, as shown and described.

DESCRIPTION

FIG. 1 is an elevated perspective view of a capo;
FIG. 2 is a right side view thereof; with the left side being a mirror image of the right side.
FIG. 3 is a front view thereof;
FIG. 4 is a rear view thereof;
FIG. 5 is a top view thereof; and,
FIG. 6 is a bottom view thereof.

(56) **References Cited**
U.S. PATENT DOCUMENTS
4,104,947 A * 8/1978 Oster G10D 3/043
84/318
4,149,443 A * 4/1979 Bringe G10D 3/043
84/318

1 Claim, 3 Drawing Sheets



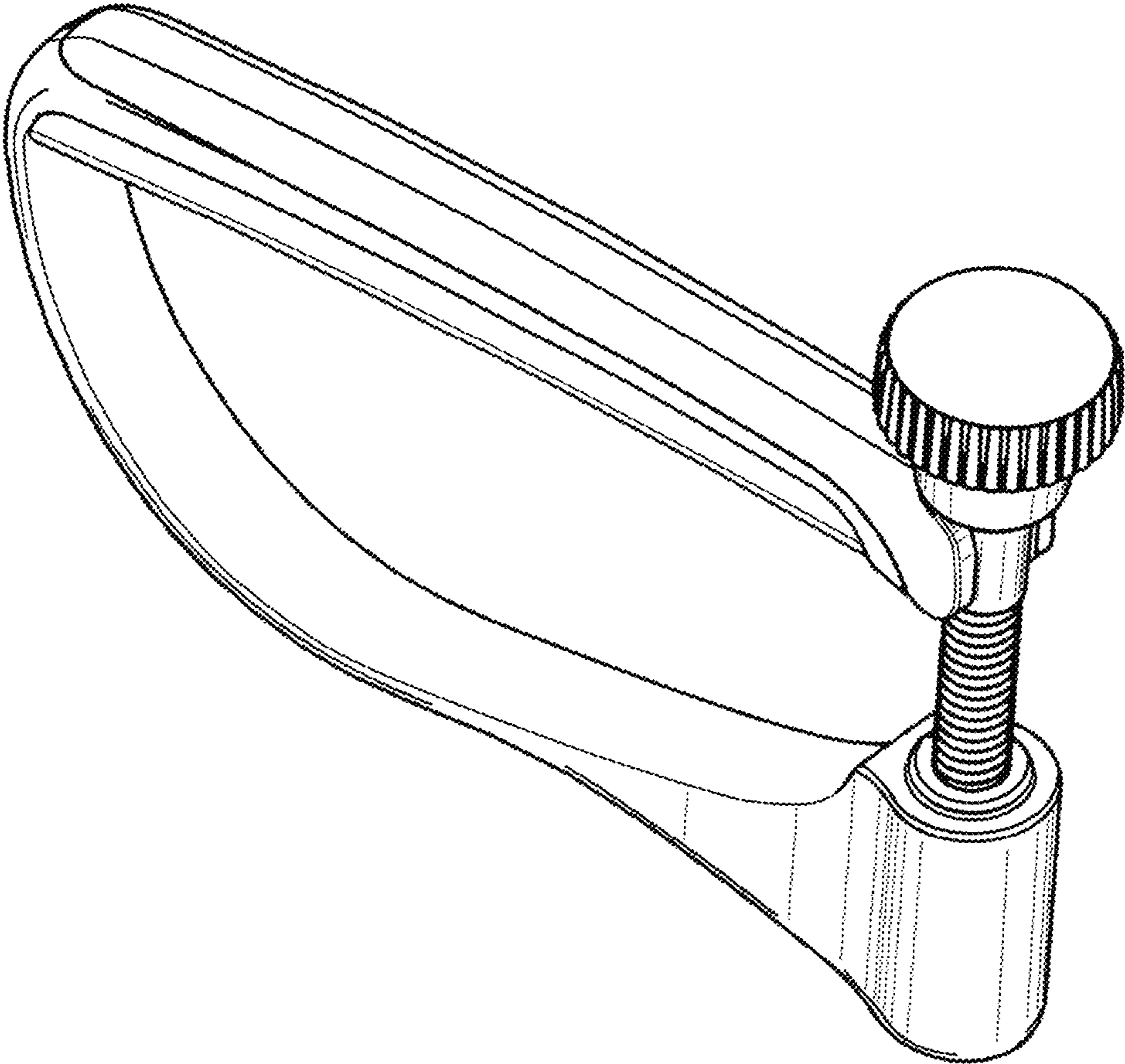


FIG. 1

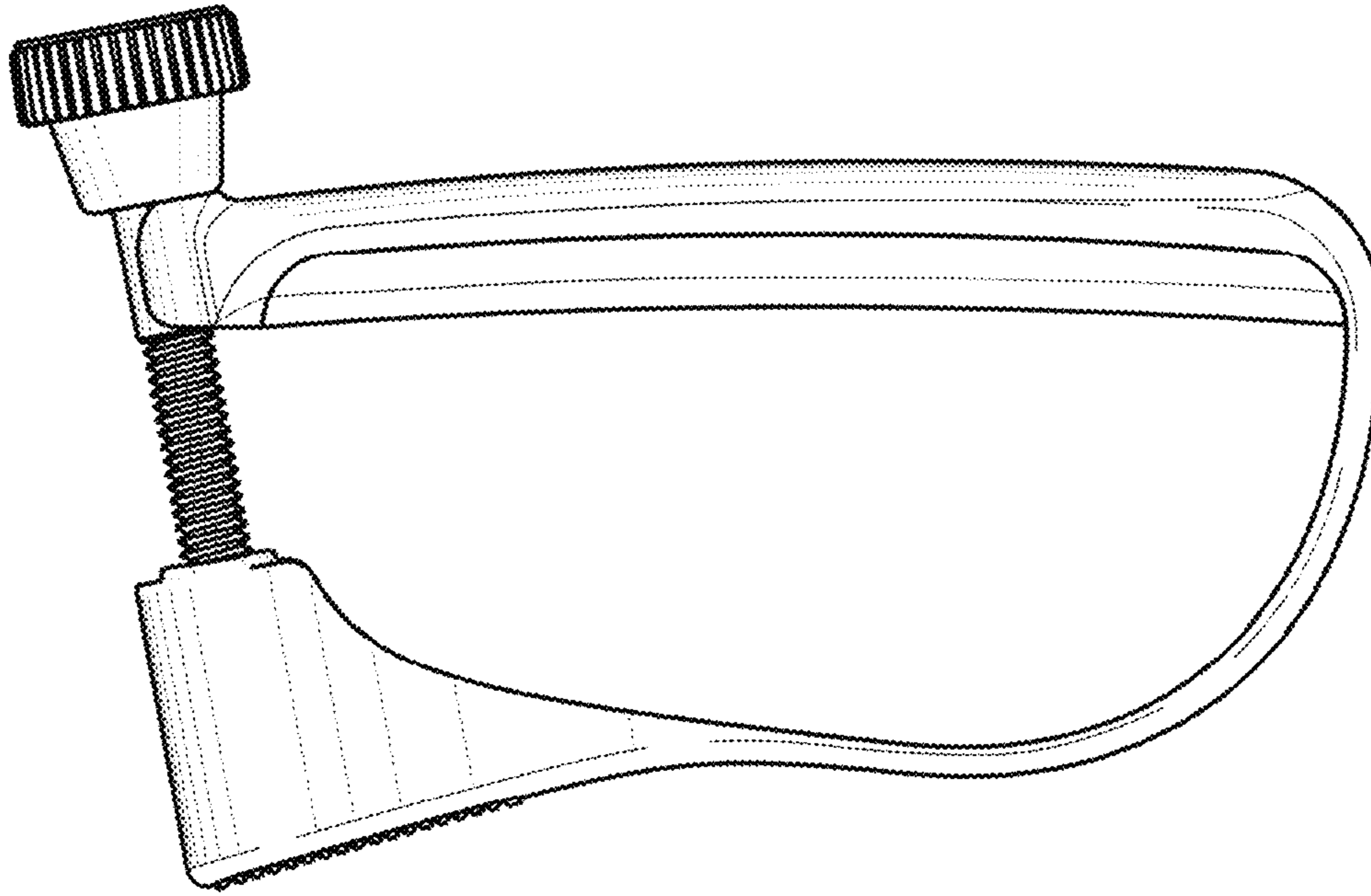


FIG. 2

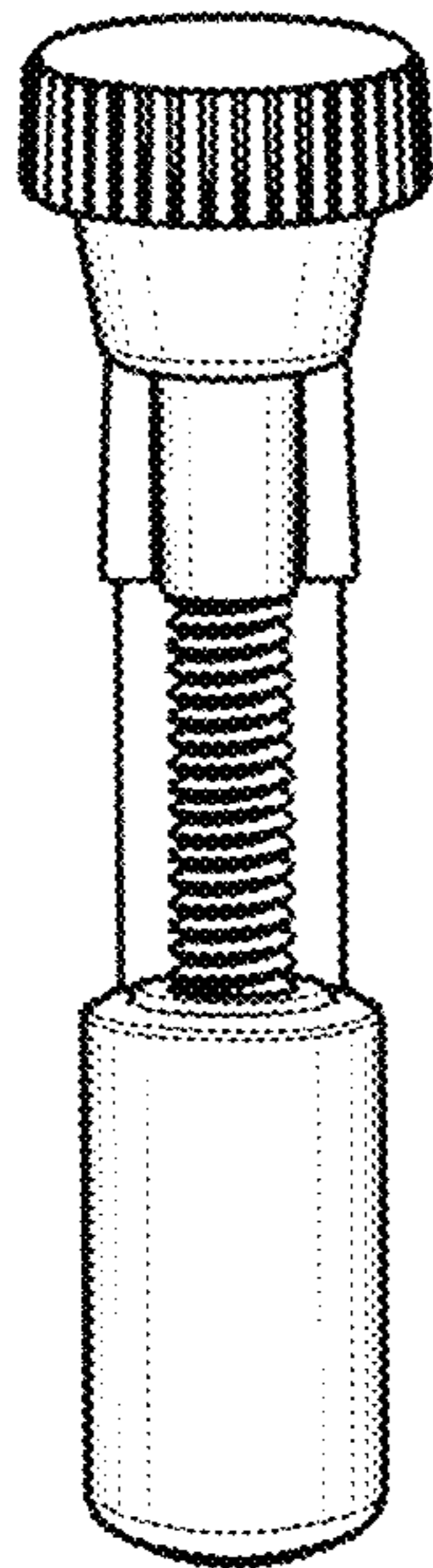


FIG. 3

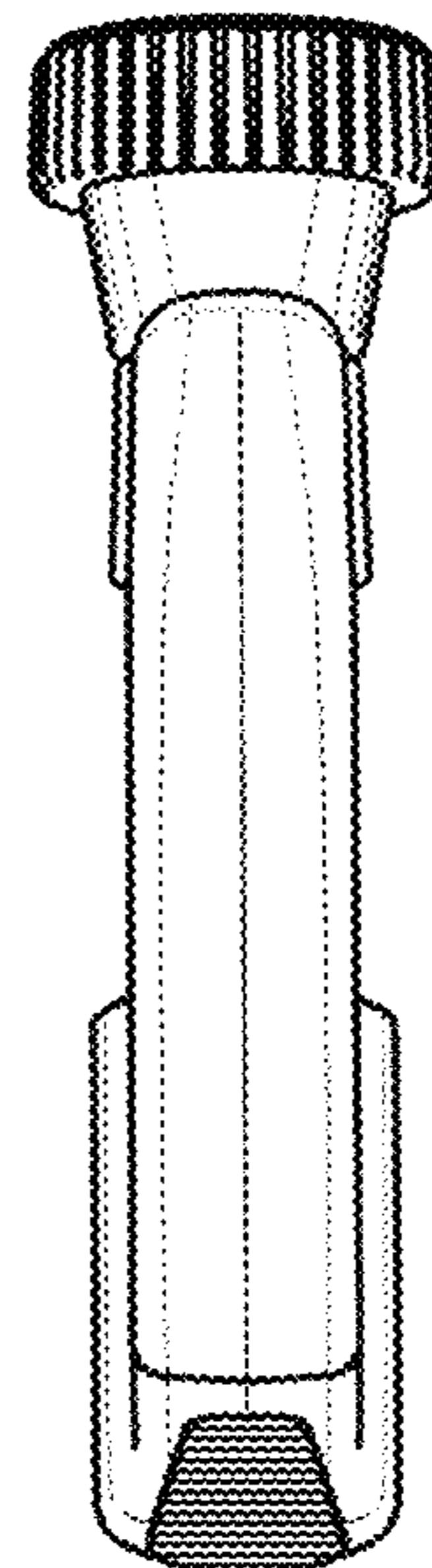


FIG. 4

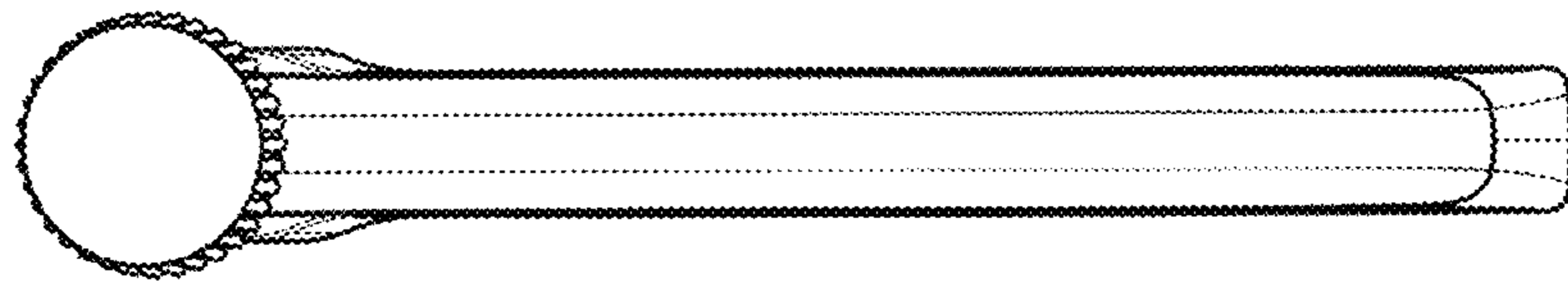


FIG. 5

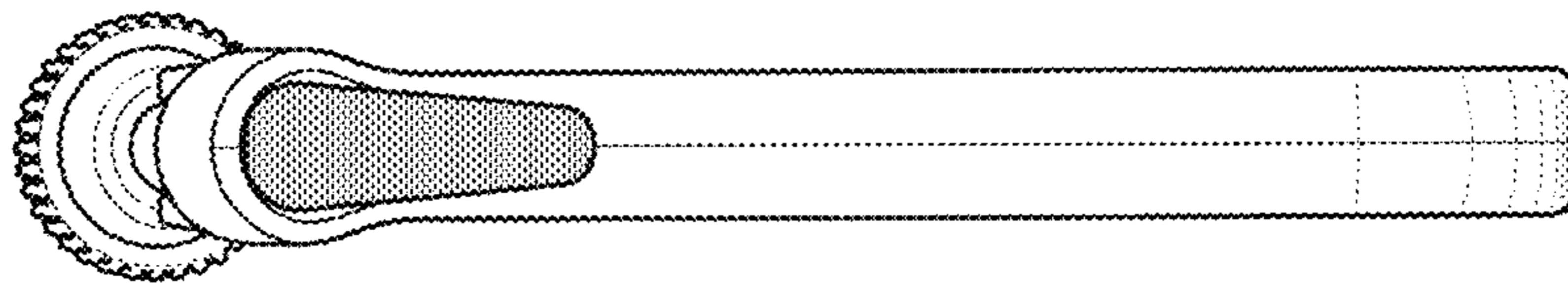


FIG. 6