



US00D801417S

(12) **United States Design Patent** (10) **Patent No.:** **US D801,417 S**
Halpin et al. (45) **Date of Patent:** **** Oct. 31, 2017**

(54) **AUDIO EYEWEAR**

(71) Applicant: **Kopin Corporation**, Westborough, MA (US)

(72) Inventors: **Declan Halpin**, New Bedford, MA (US); **Lee A. Kuczewski**, Brooklyn, NY (US); **John C. C. Fan**, Brookline, MA (US); **Paul Baker**, Duxbury, MA (US)

(73) Assignee: **Kopin Corporation**, Westborough, MA (US)

(**) Term: **15 Years**

(21) Appl. No.: **29/550,396**

(22) Filed: **Jan. 4, 2016**

(51) **LOC (10) Cl.** **16-06**

(52) **U.S. Cl.**

USPC **D16/309**

(58) **Field of Classification Search**

USPC D16/101, 300-342, 900; D29/109-110; D21/483, 659-661; D14/372; 351/41, 351/44, 45-48, 51-52, 62, 158, 92, 351/103-123, 140-153, 63, 59; 2/13, 15, 2/426-432, 447-449, 441, 434-437
CPC G02C 2200/08; G02C 1/06; G02C 5/14; G02C 11/02; G02C 11/04; G02C 5/16; G02C 2200/22; G02C 5/146; G02C 5/2254; G02C 5/008; G01C 5/16; A61M 2021/0044; A63B 33/002

See application file for complete search history.

(56) **References Cited**

U.S. PATENT DOCUMENTS

6,076,927 A * 6/2000 Owens G02C 5/10 351/118
D434,062 S * 11/2000 Lane D16/321

(Continued)

Primary Examiner — Eric Goodman

Assistant Examiner — Sanjeev Paul

(74) *Attorney, Agent, or Firm* — Hamilton, Brook, Smith & Reynolds, P.C.

(57) **CLAIM**

The ornamental design for audio eyewear, as shown and described.

DESCRIPTION

FIG. 1 is a front right side perspective view of a first embodiment of audio eyewear in the present invention having clear lenses.

FIG. 2 is a front view thereof.

FIG. 3 is a rear view thereof.

FIG. 4 is a top view thereof.

FIG. 5 is a bottom view thereof.

FIG. 6 is a left side view thereof.

FIG. 7 is a right side view thereof.

FIG. 8 is a rear right side perspective view thereof with speaker members in a down position.

FIG. 9 is a left side view thereof with speaker members in a down position.

FIG. 10 is a right side view thereof with speaker members in a down position.

FIG. 11 is a front right side perspective view of a second embodiment of audio eyewear in the present invention having sunglass lenses.

FIG. 12 is a front view thereof.

FIG. 13 is a rear view thereof.

FIG. 14 is a top view thereof.

FIG. 15 is a bottom view thereof.

FIG. 16 is a left side view thereof.

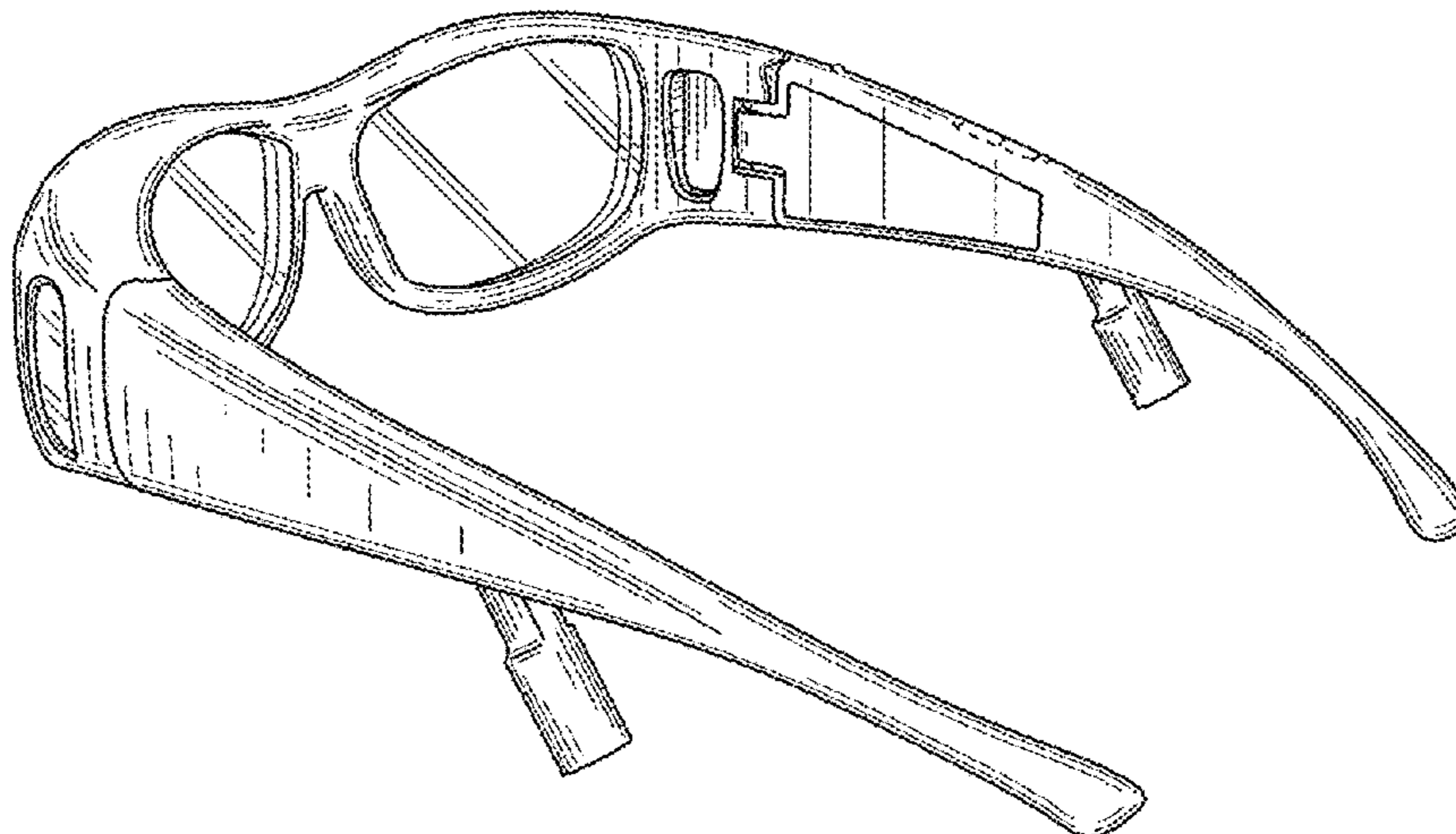
FIG. 17 is a right side view thereof.

FIG. 18 is a rear right side perspective view thereof with speaking members in a down position.

FIG. 19 is a left side view thereof with speaker members in a down position; and,

FIG. 20 is a right side view thereof with speaker members in a down position.

1 Claim, 12 Drawing Sheets



(56)

References Cited

U.S. PATENT DOCUMENTS

D448,399 S *	9/2001	Lane	D16/321	D682,917 S *	5/2013	Stables	D16/321
D487,284 S *	3/2004	Lane	D16/321	D682,918 S *	5/2013	Stables	D16/321
D487,477 S *	3/2004	Lane	D16/321	D682,919 S *	5/2013	Stables	D16/321
D513,759 S *	1/2006	Stables	D16/321	D682,920 S *	5/2013	Stables	D16/321
D514,613 S *	2/2006	Jannard	D16/309	D683,388 S *	5/2013	Kelman	D16/321
D517,590 S *	3/2006	Teng	D16/321	D685,019 S *	6/2013	Li	D16/309
D546,866 S *	7/2007	Yang	D16/304	D702,281 S *	4/2014	Szymanski	D16/303
D553,173 S *	10/2007	Baden	D16/309	D703,727 S *	4/2014	DiChiara	D16/311
D561,816 S *	2/2008	Jannard	D16/330	D705,342 S *	5/2014	Mazzola	D16/321
D582,957 S *	12/2008	Moritz	D16/309	D706,335 S *	6/2014	Lombardi	D16/321
D590,006 S *	4/2009	Lane	D16/321	D710,428 S *	8/2014	Rhea	D16/315
D590,433 S *	4/2009	Lane	D16/321	D710,928 S *	8/2014	Heinrich	16/235
D613,788 S *	4/2010	Friedman	D16/321	D754,782 S *	4/2016	Kokinakis	D16/309
D626,581 S *	11/2010	Stables	D16/321	9,465,238 B2 *	10/2016	Mazzola	G02C 11/12
D645,492 S *	9/2011	Zhao	D16/309	D777,242 S *	1/2017	Seo	D16/300
D645,493 S *	9/2011	Zhao	D16/309	2005/0248717 A1	11/2005	Howell et al.		
D645,496 S *	9/2011	Hardy	D16/321	2007/0201000 A1 *	8/2007	Jackson	G02C 11/10 351/158
D645,497 S *	9/2011	Hardy	D16/321	2011/0234973 A1 *	9/2011	Ye	G02C 11/00 351/158
D679,742 S *	4/2013	Slosar	D16/321	2015/0077696 A1 *	3/2015	Tanaka	G02C 11/00 351/62
D681,097 S *	4/2013	Slosar	D16/321					
D682,915 S *	5/2013	Kelman	D16/321					

* cited by examiner

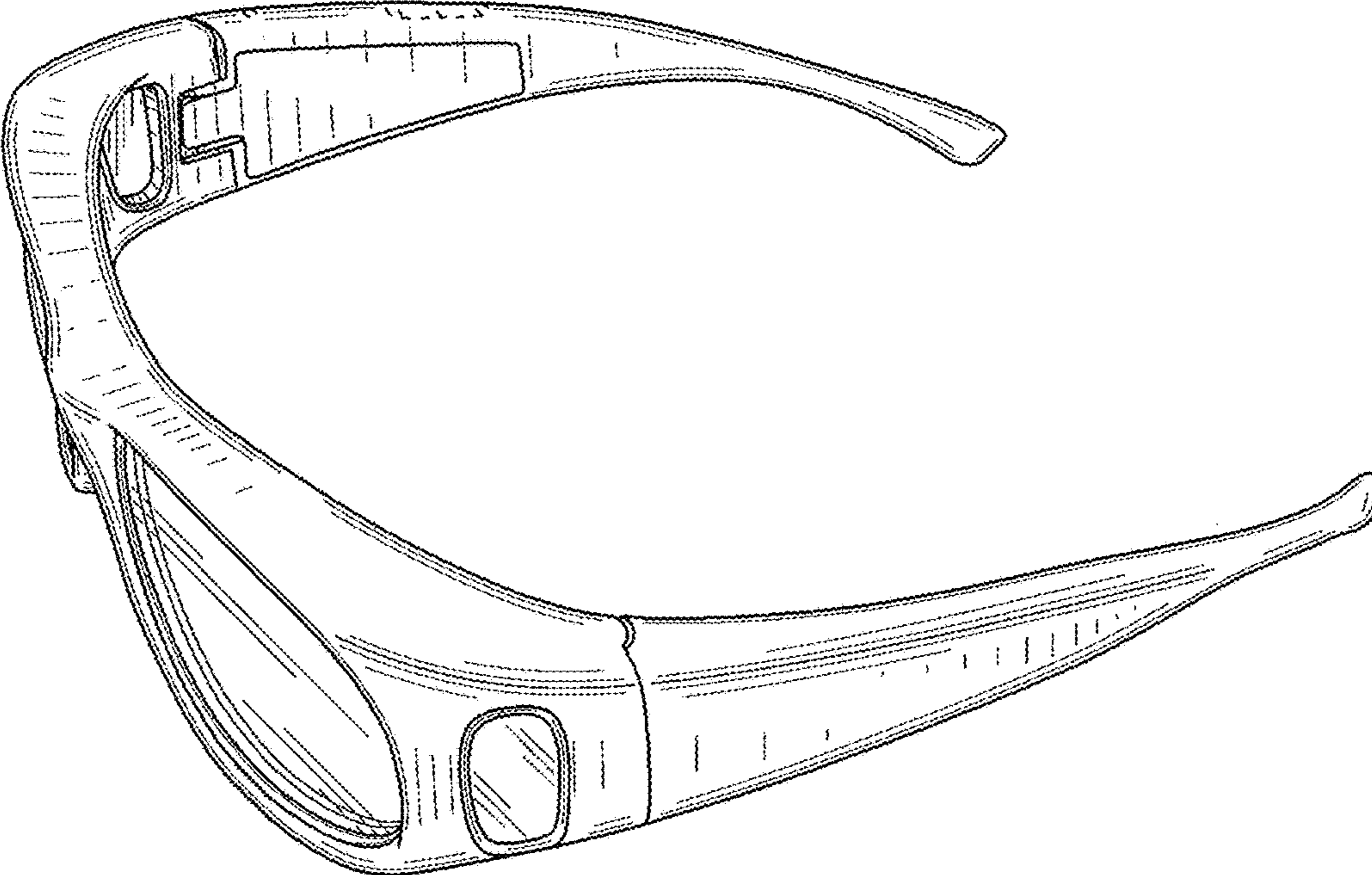


FIG. 1

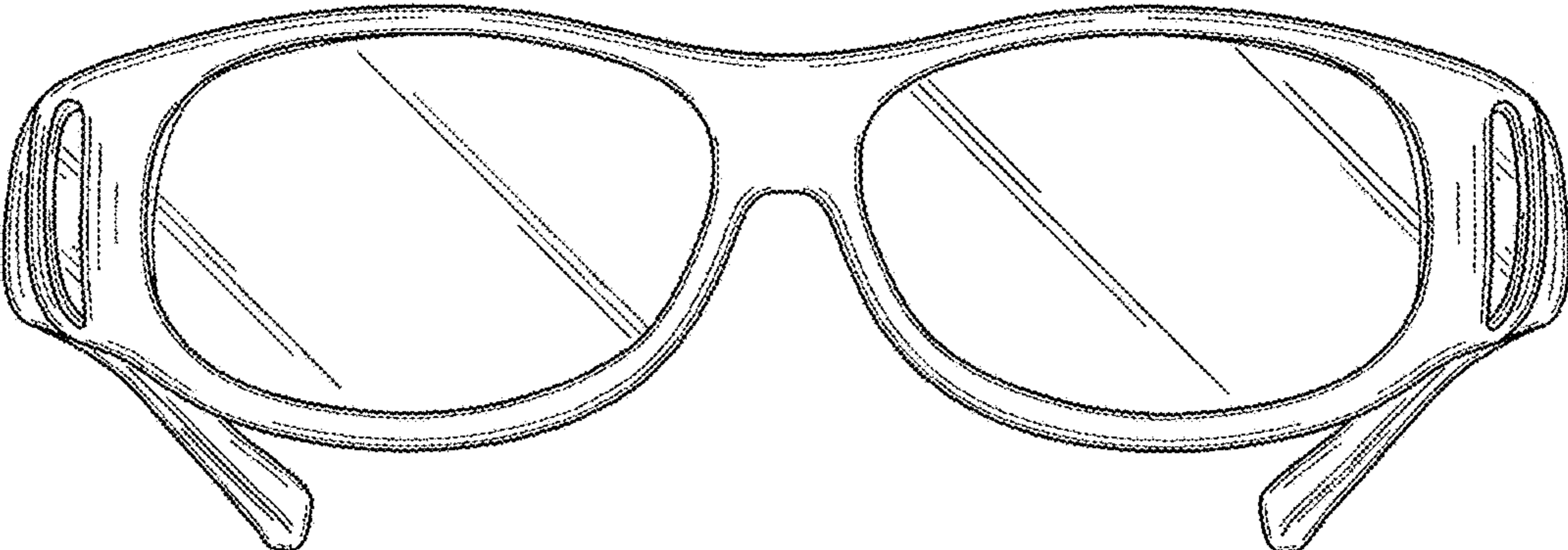


FIG. 2

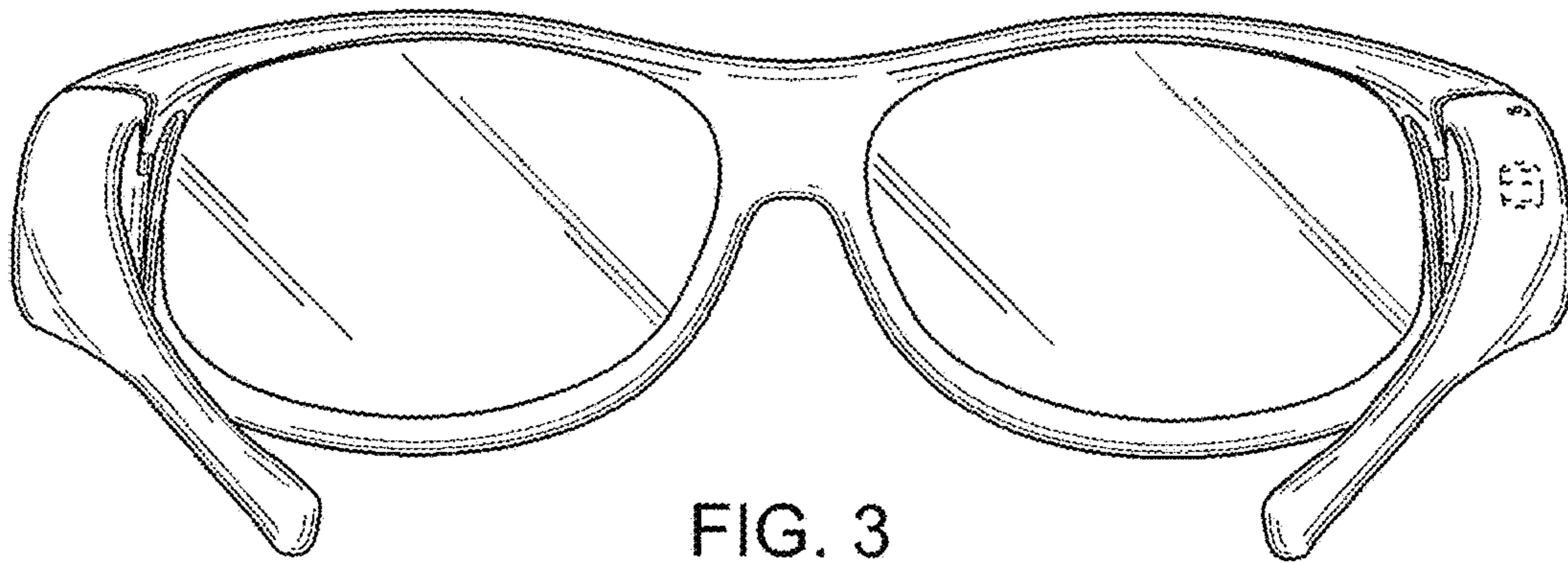


FIG. 3

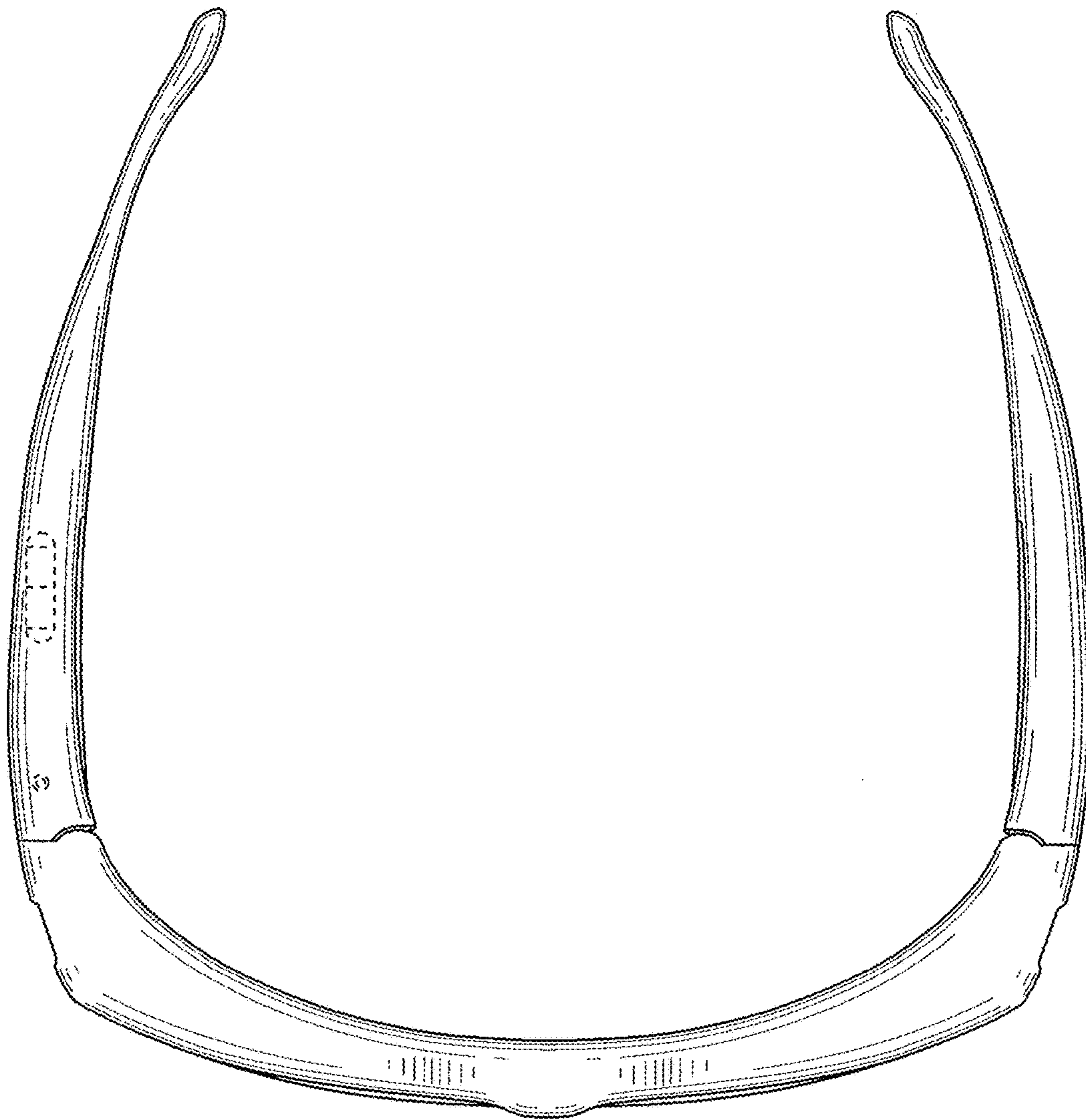


FIG. 4

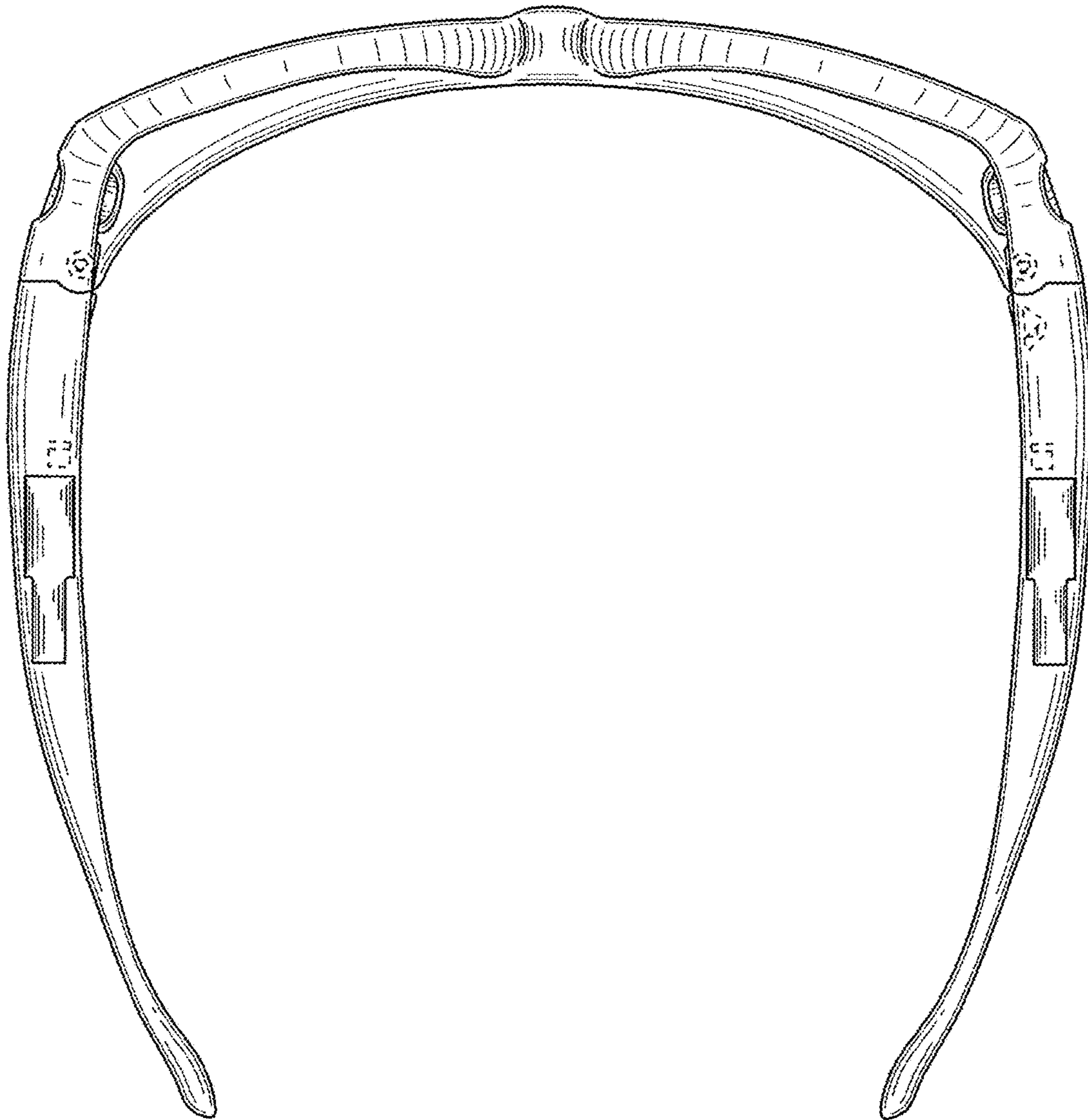


FIG. 5

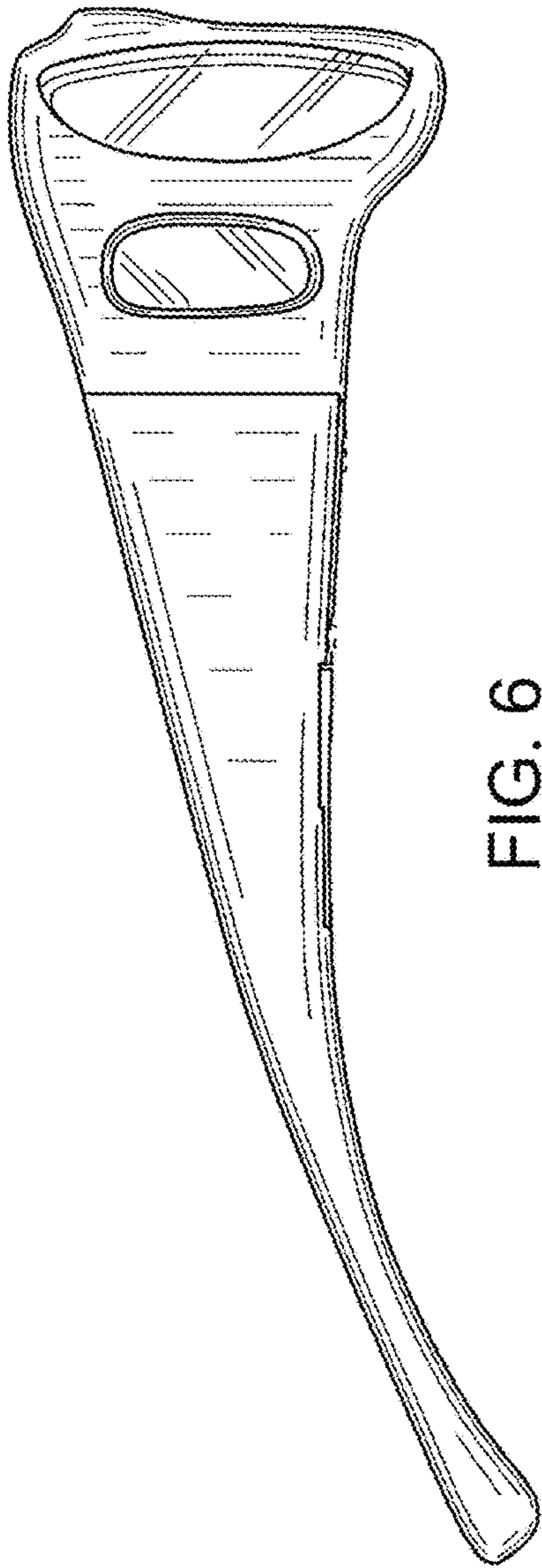


FIG. 6

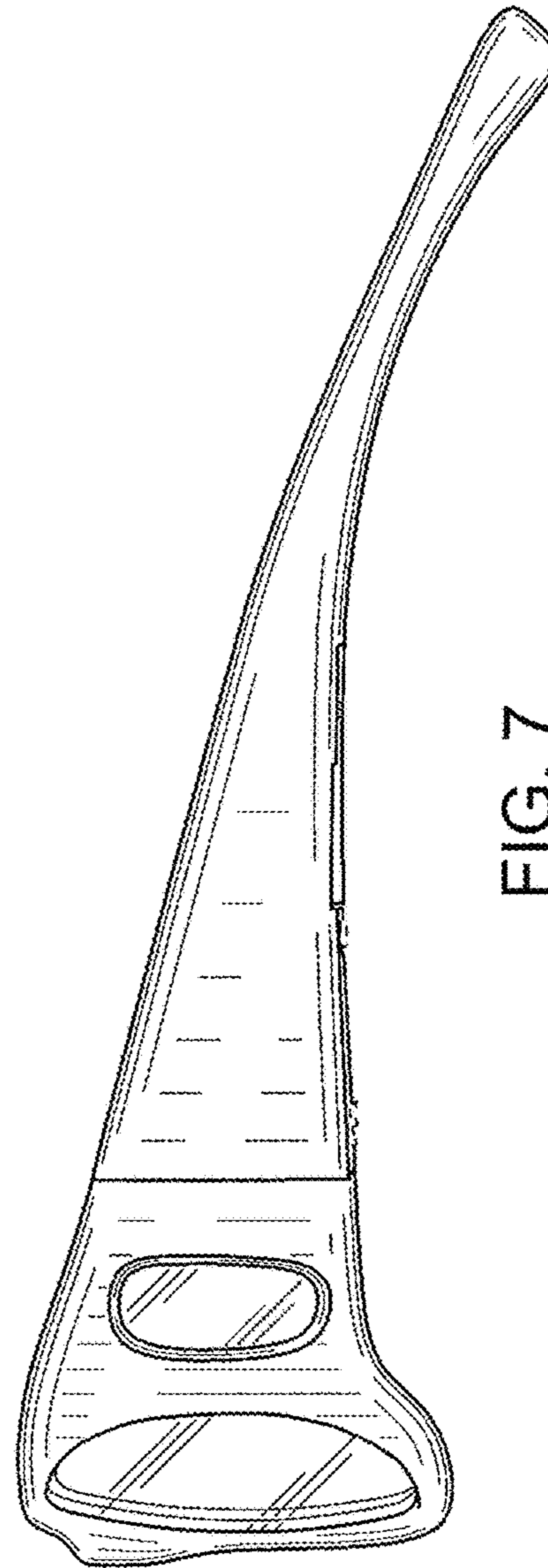


FIG. 7

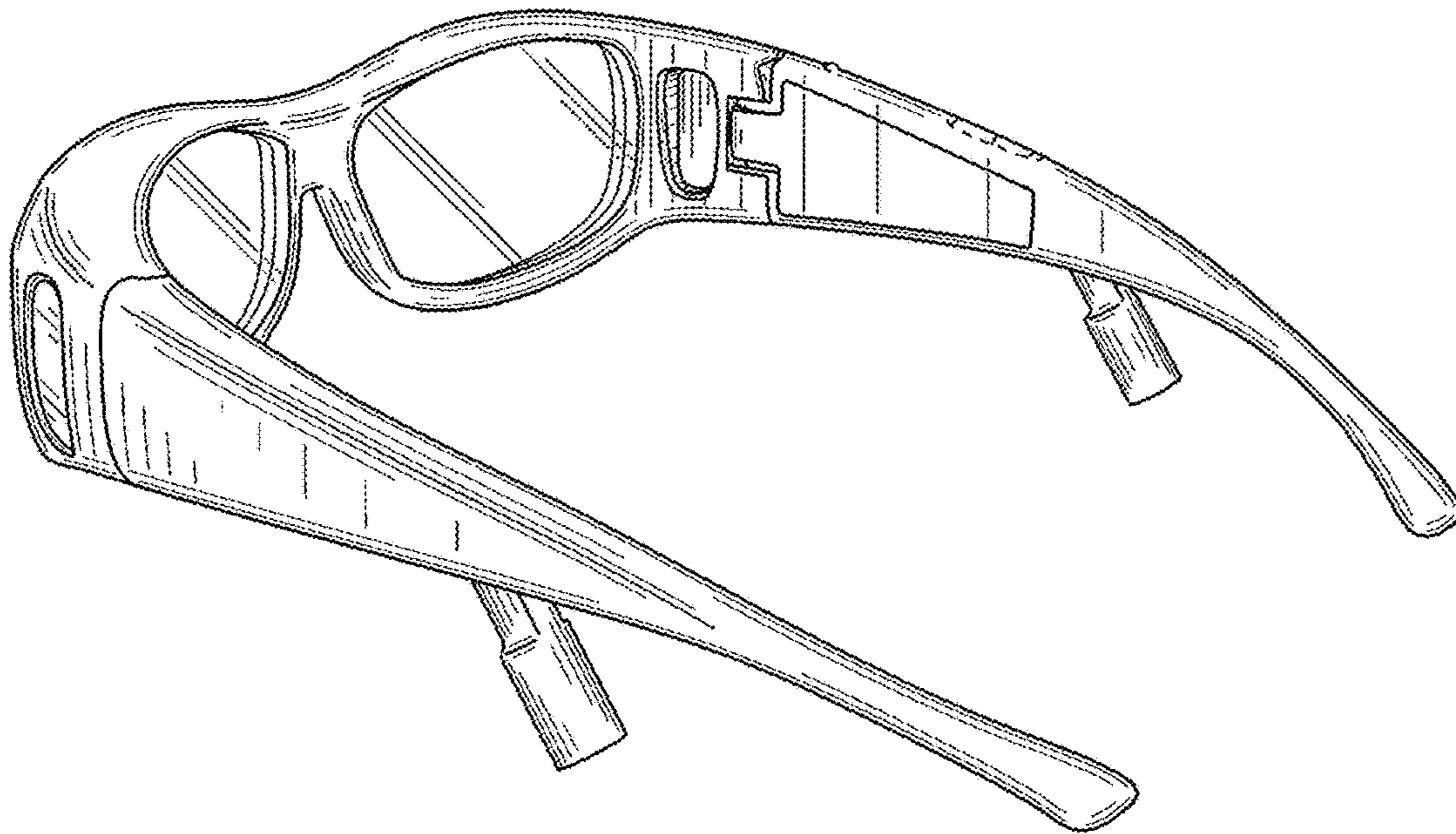


FIG. 8

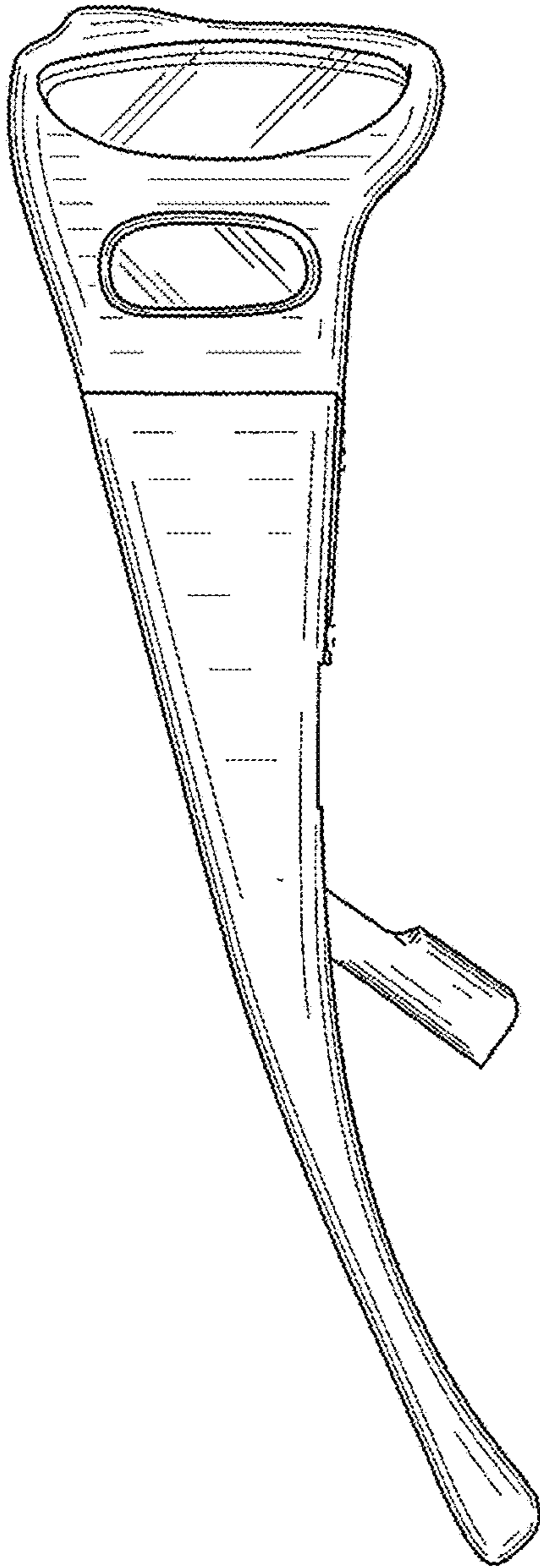


FIG. 9

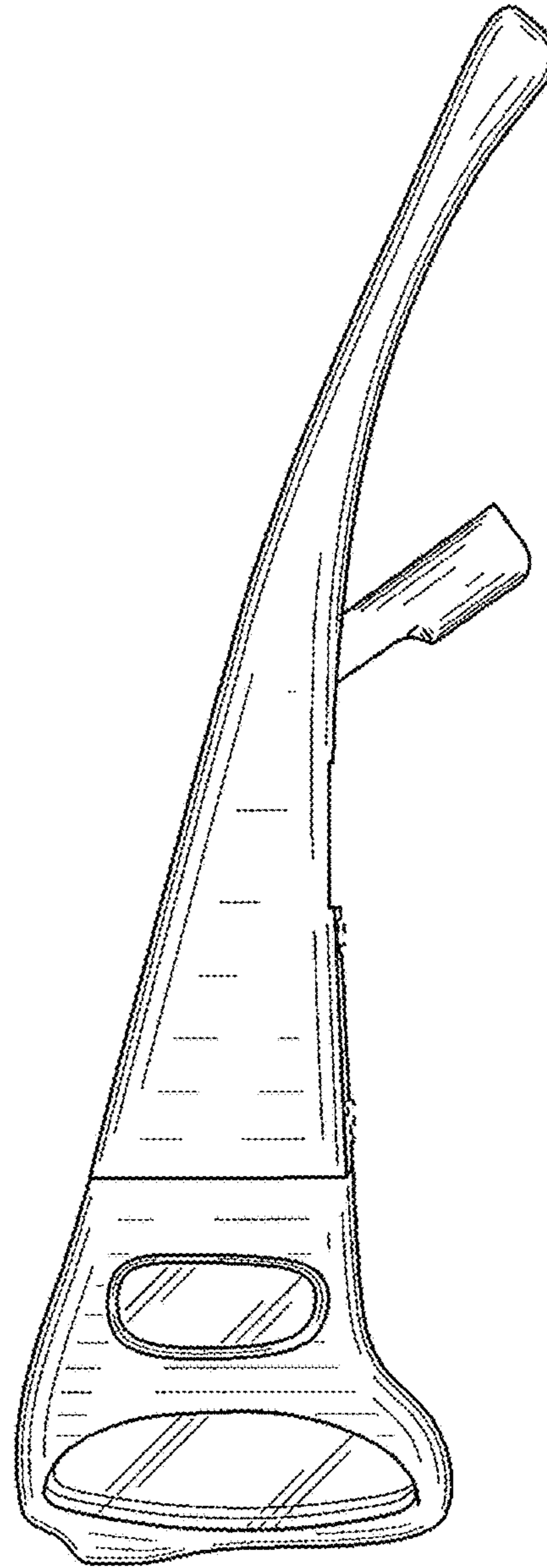


FIG. 10

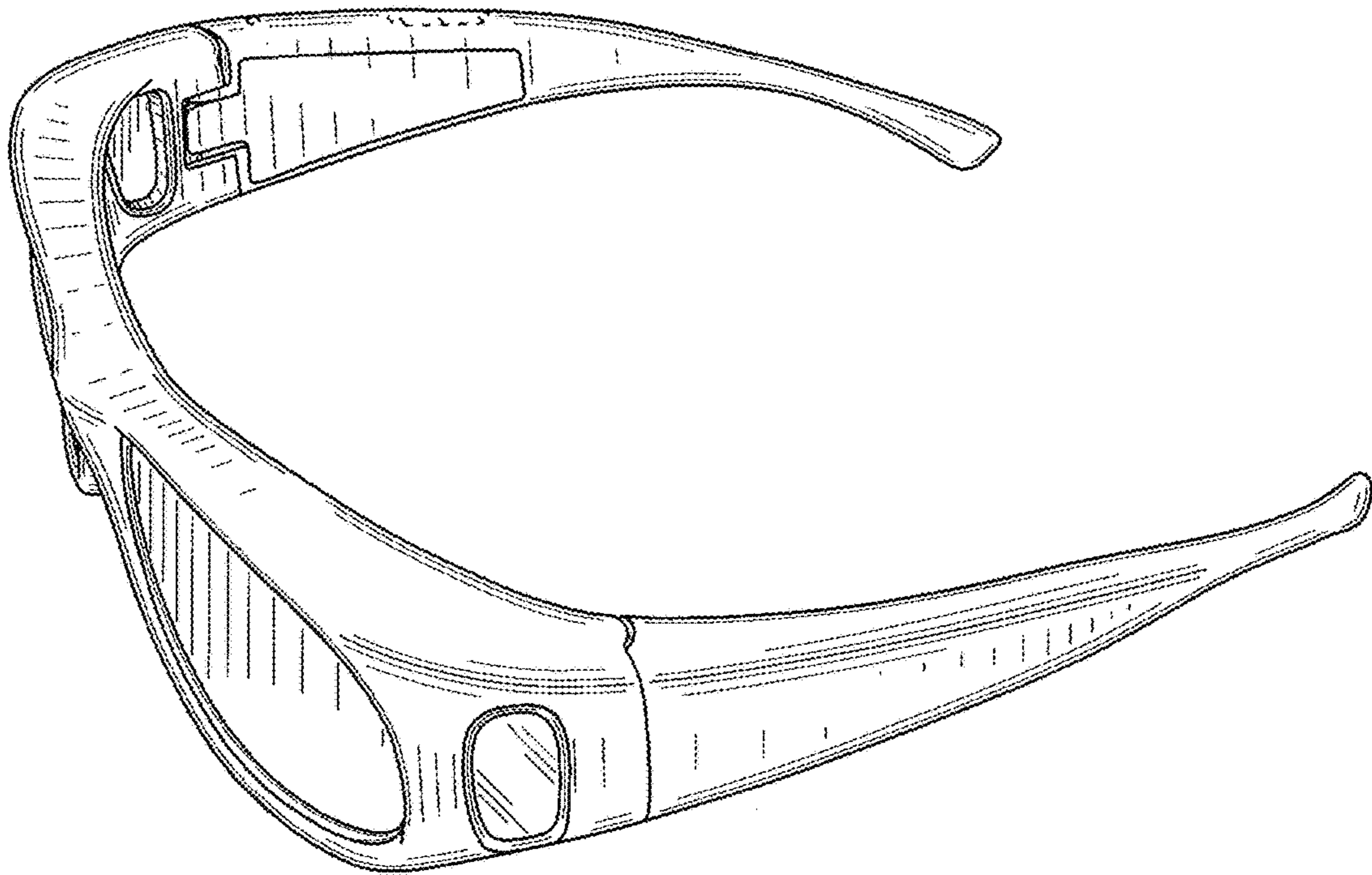


FIG. 11

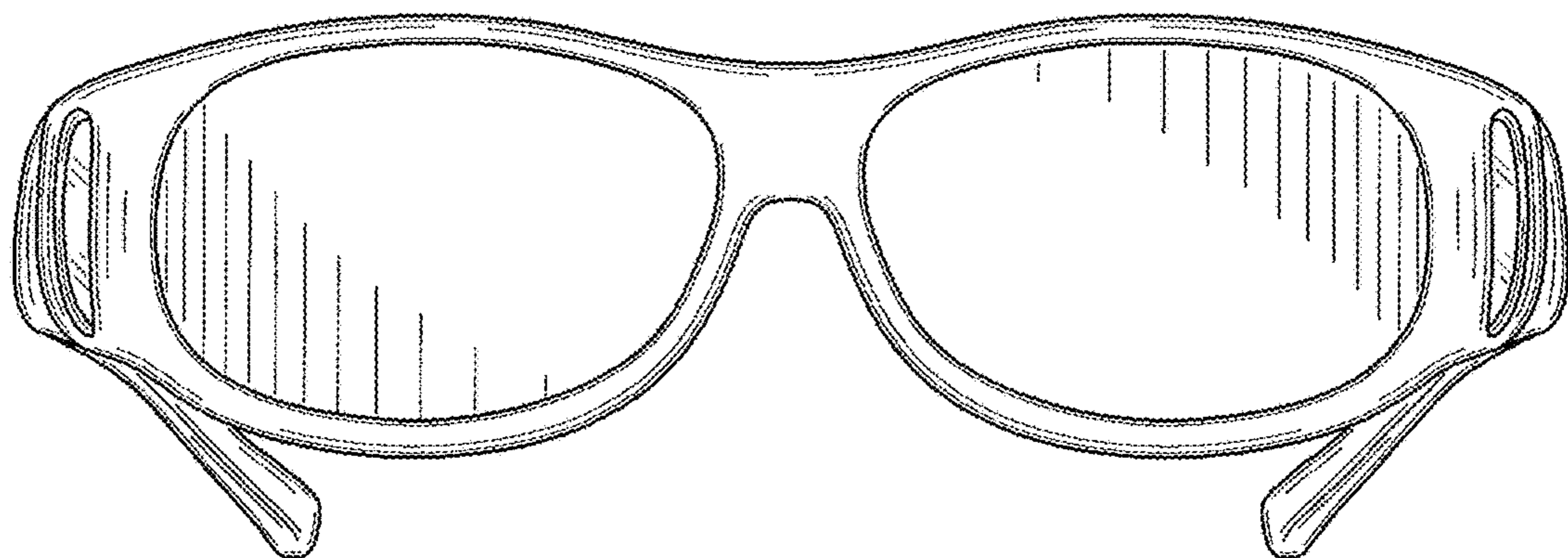


FIG. 12

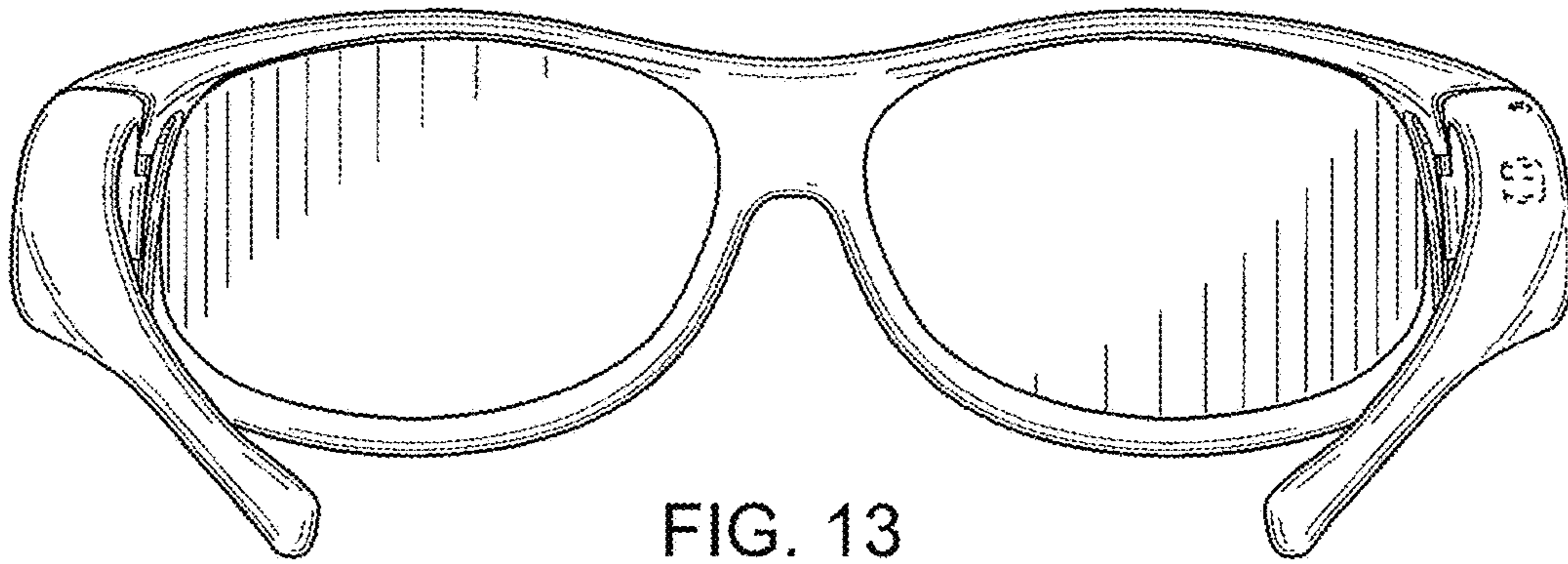


FIG. 13

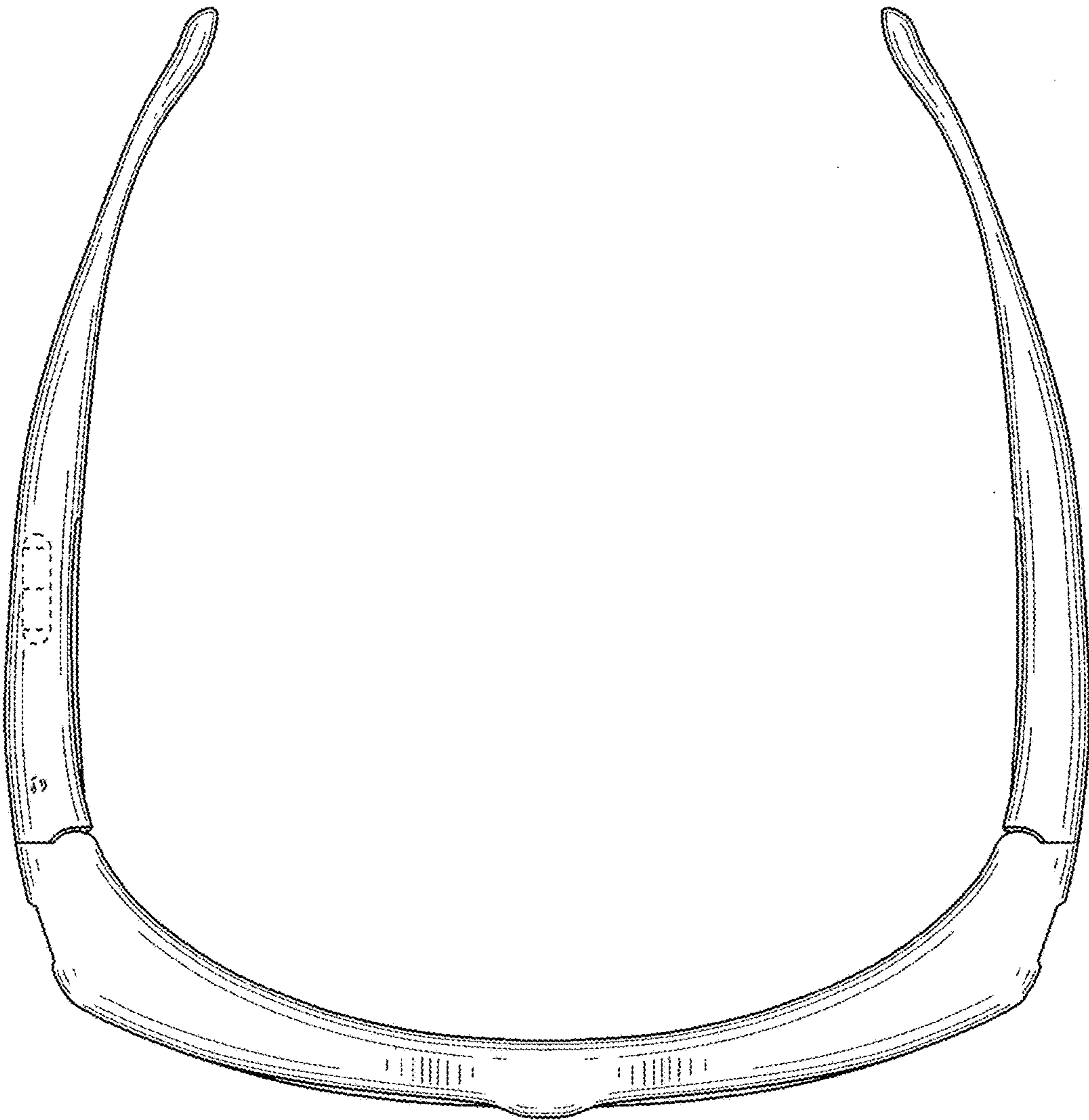


FIG. 14

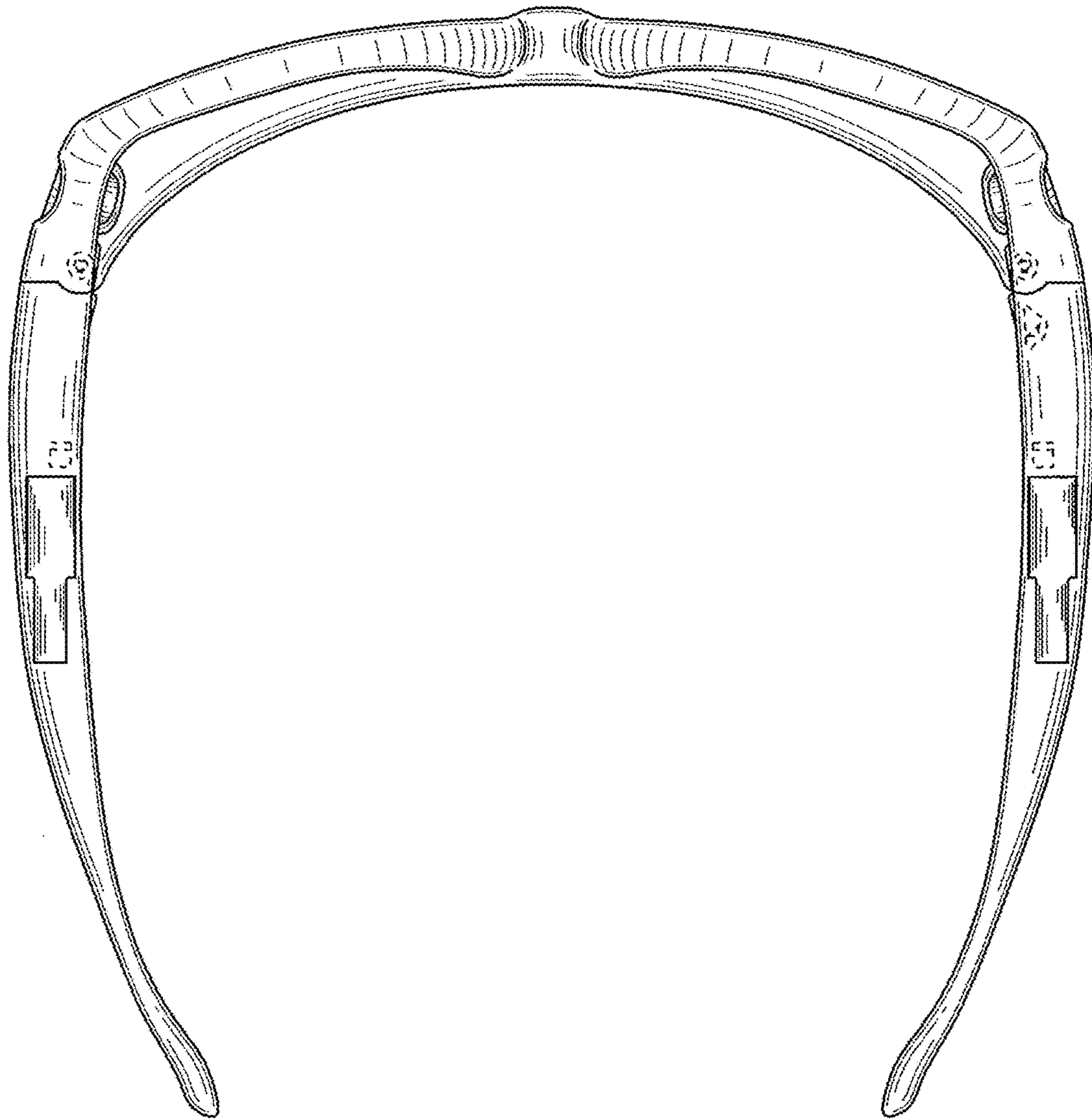


FIG. 15

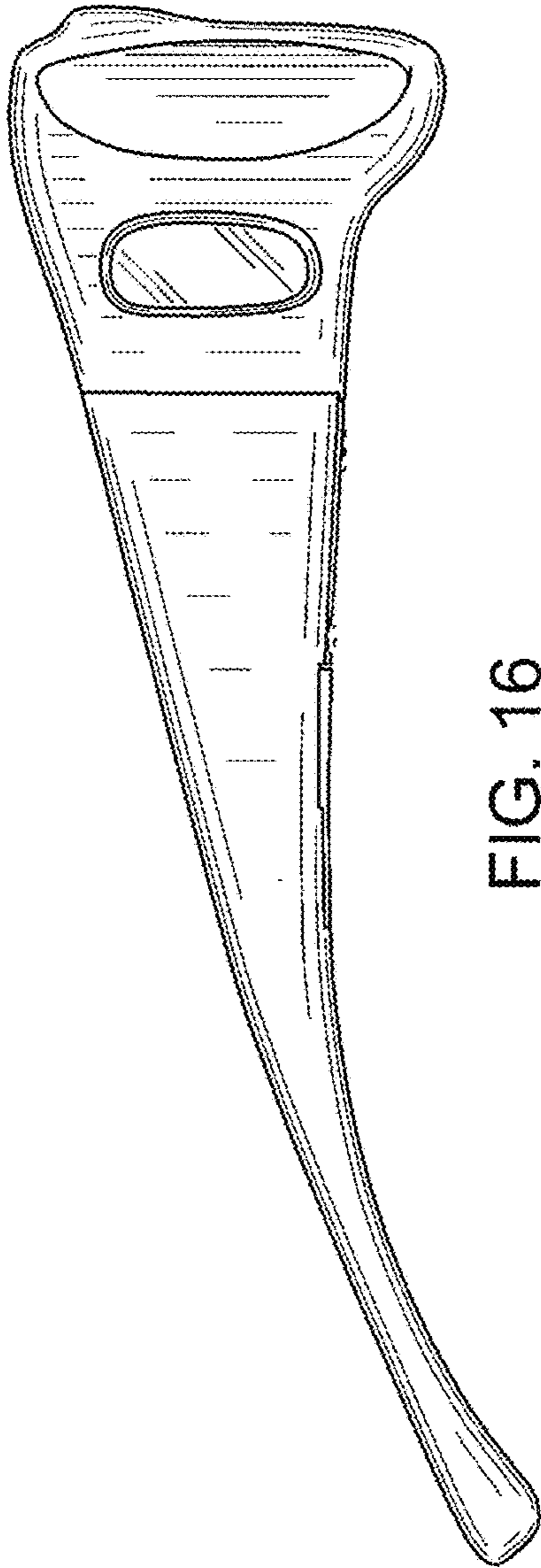


FIG. 16

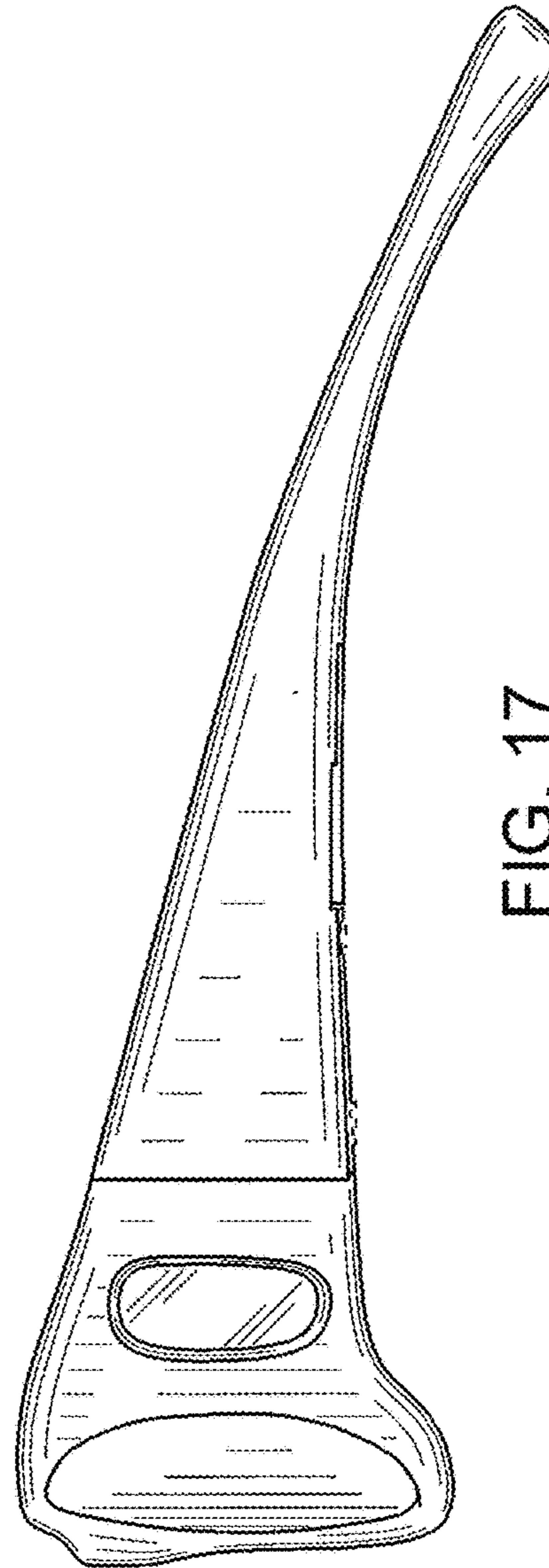


FIG. 17

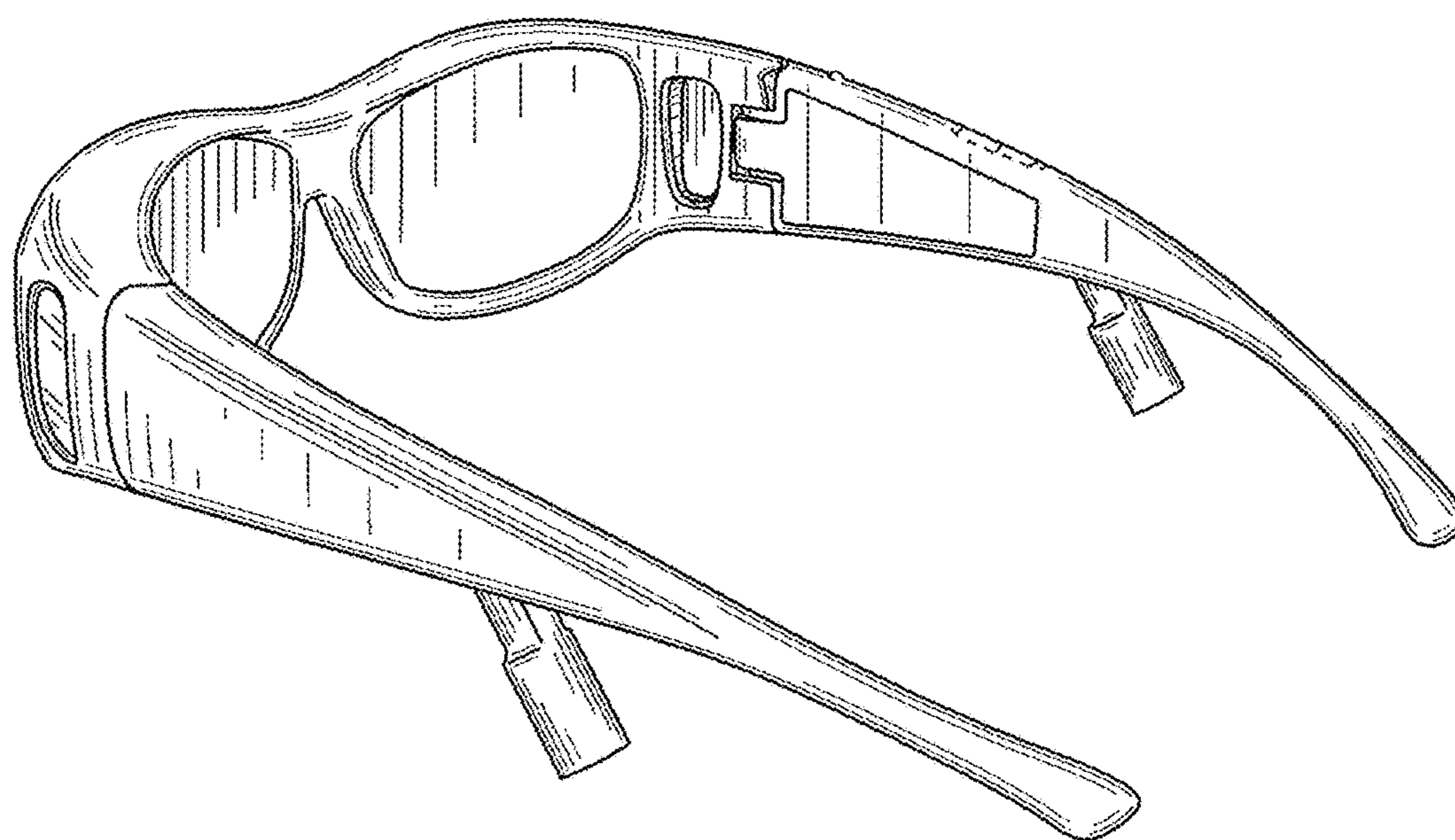


FIG. 18

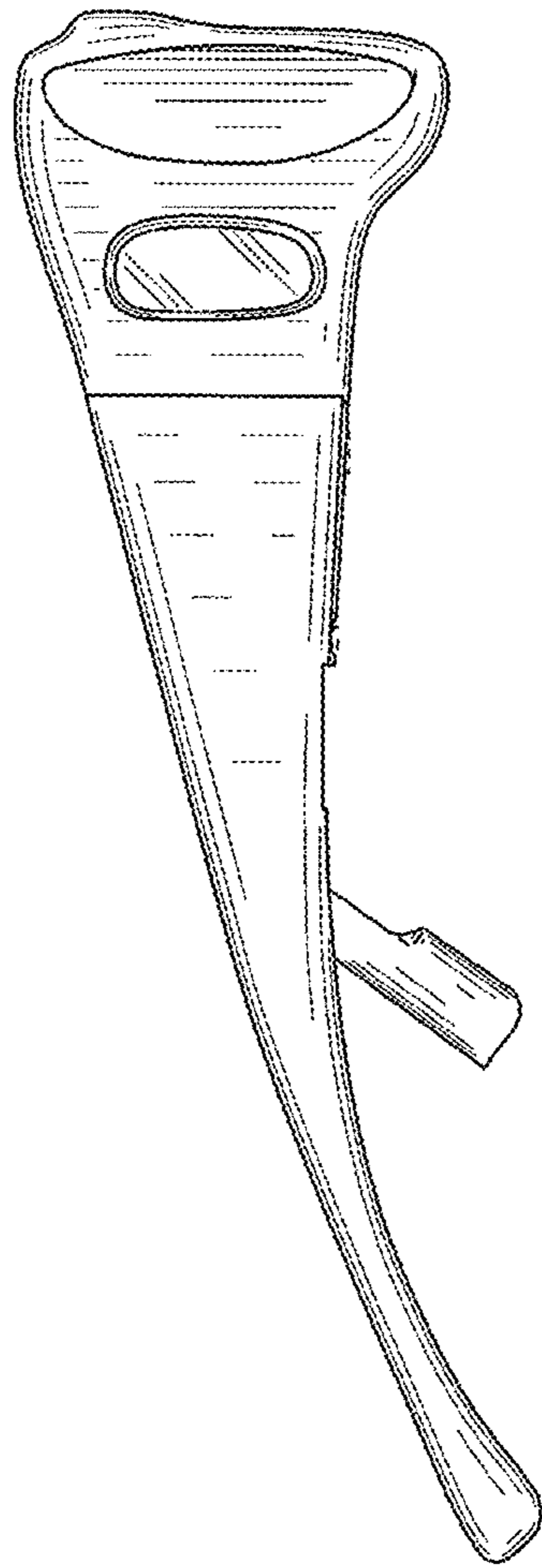


FIG. 19

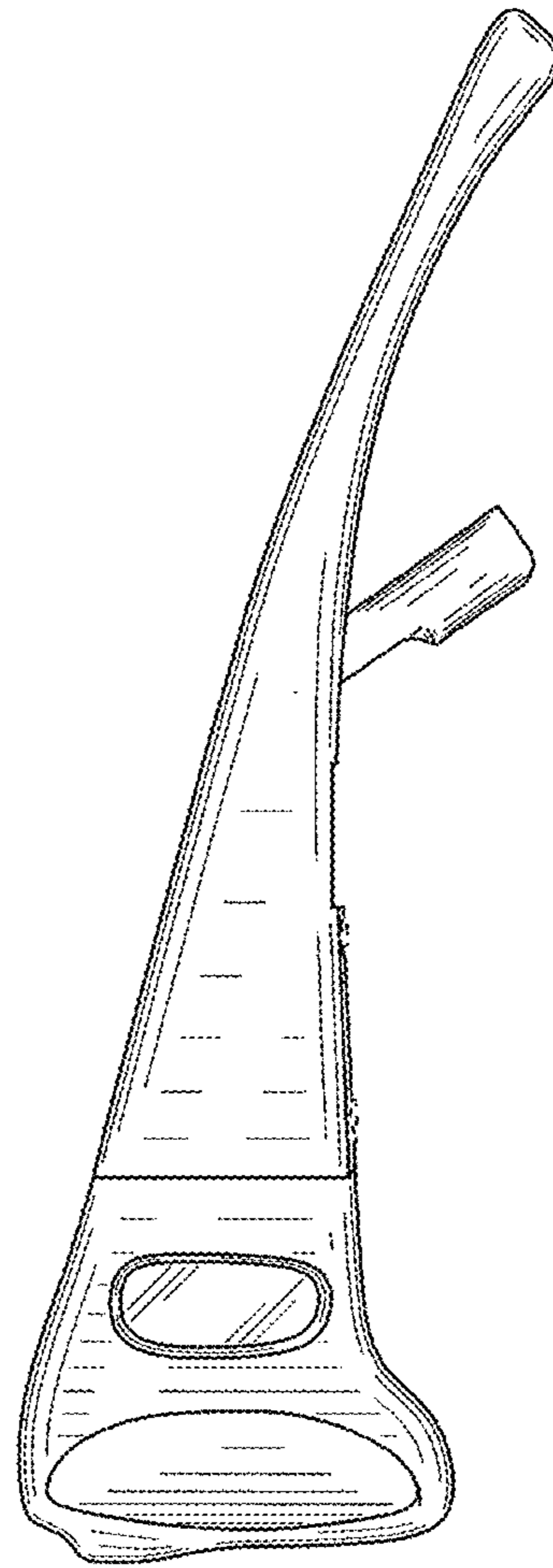


FIG. 20