



US00D801416S

(12) **United States Design Patent**
Vance

(10) **Patent No.:** **US D801,416 S**

(45) **Date of Patent:** **** Oct. 31, 2017**

- (54) **CAMERA SUPPORT TRIPOD**
- (71) Applicant: **Dan Vance**, San Diego, CA (US)
- (72) Inventor: **Dan Vance**, San Diego, CA (US)
- (**) Term: **15 Years**
- (21) Appl. No.: **29/552,195**
- (22) Filed: **Jan. 20, 2016**
- (51) **LOC (10) Cl.** **16-05**
- (52) **U.S. Cl.**
USPC **D16/244**
- (58) **Field of Classification Search**
USPC D16/200, 208, 213–219, 235, 237,
D16/238–250; D14/209, 217, 224, 251;
D8/307, 310, 349, 367
CPC G03B 17/14; G03B 17/56; G03B
17/561–17/568; G03B 15/041–15/0436;
G02B 7/00–7/002; G02B 7/02–7/04;
F16M 11/02; F16M 11/04; F16M 11/20;
F16M 11/40
See application file for complete search history.

(56) **References Cited**

U.S. PATENT DOCUMENTS

D191,380 S *	9/1961	Heinz	D16/244
D221,693 S *	8/1971	Bradspies	D16/244
3,921,947 A *	11/1975	Adam	F16M 11/14 248/168
D243,328 S *	2/1977	Kawazoe	D16/244
D290,963 S *	7/1987	Groschupp	D16/244
D299,244 S *	1/1989	Jones	D16/244
5,288,044 A *	2/1994	Chen	F16M 11/2014 248/183.1

D357,493 S *	4/1995	Yotsuya	D16/244
D445,123 S *	7/2001	Shen	D16/244
D508,938 S *	8/2005	Murray	D16/244
D532,436 S *	11/2006	Kruse	D16/244
D607,037 S *	12/2009	Lee	D16/244
D607,917 S *	1/2010	Darrow	D16/242
D630,323 S *	1/2011	Munasar	D24/133
D664,182 S *	7/2012	Braunstein	D16/242
D691,150 S *	10/2013	Stener	D14/447
D739,225 S *	9/2015	Mazzie	D8/396
D739,456 S *	9/2015	Poli	D16/244
2007/0090237 A1 *	4/2007	Hsu	F16M 11/14 248/178.1
2015/0201113 A1 *	7/2015	Wood	G03B 17/561 348/376

* cited by examiner

Primary Examiner — Vy N Koenig
Assistant Examiner — Omeed Agilee

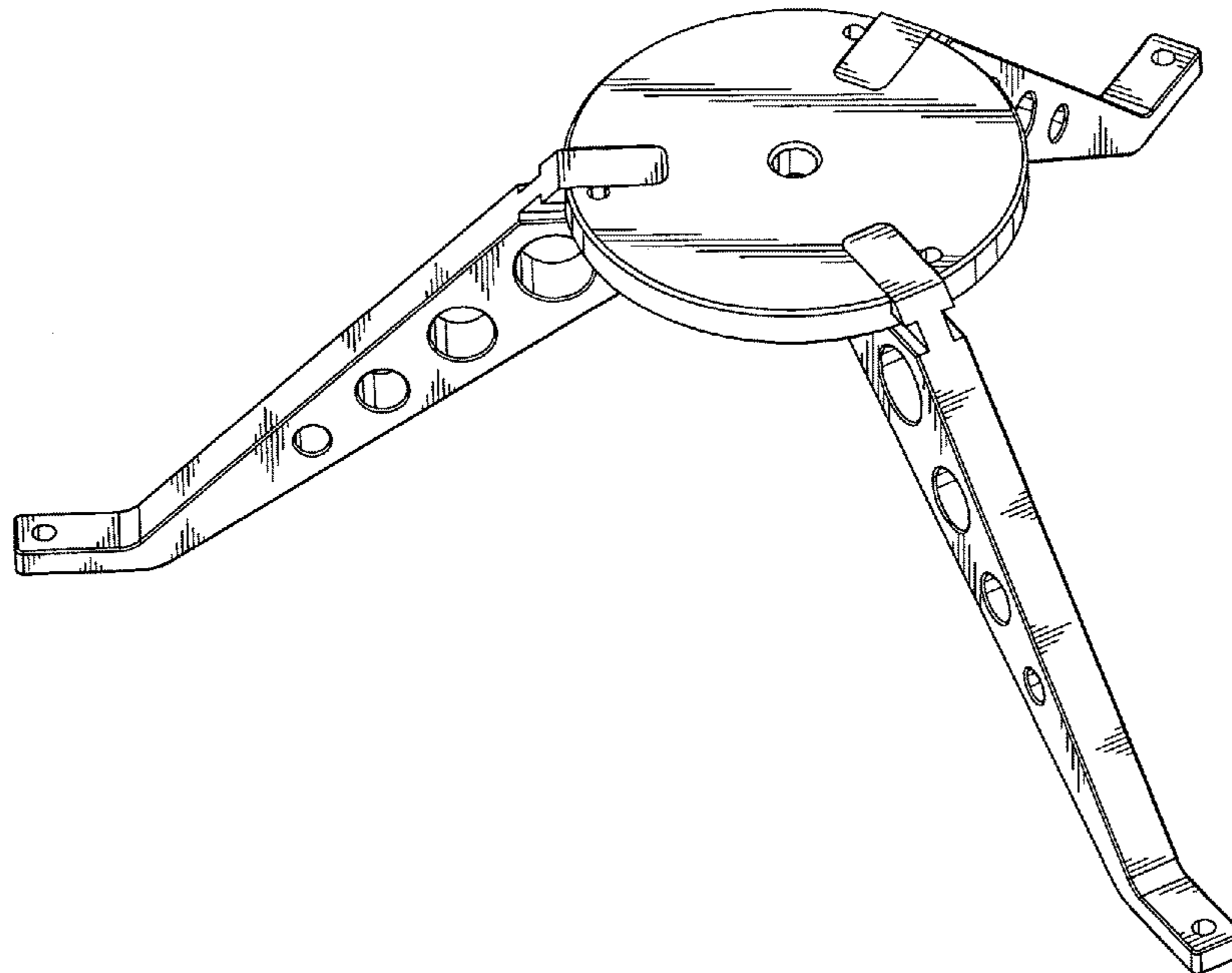
(57) **CLAIM**

The ornamental design for a camera support tripod, as shown and described.

DESCRIPTION

FIG. 1 is a front, right, and top perspective view of a camera support tripod showing my new design;
FIG. 2 is a top plan view thereof;
FIG. 3 is a right side elevational view, the left side elevational view being a mirror image thereof;
FIG. 4 is a front elevational view thereof; and,
FIG. 5 is a bottom plan view thereof.
The broken lines shown in FIG. 5 depict portions of the camera support tripod that form no part of the claimed design.

1 Claim, 3 Drawing Sheets



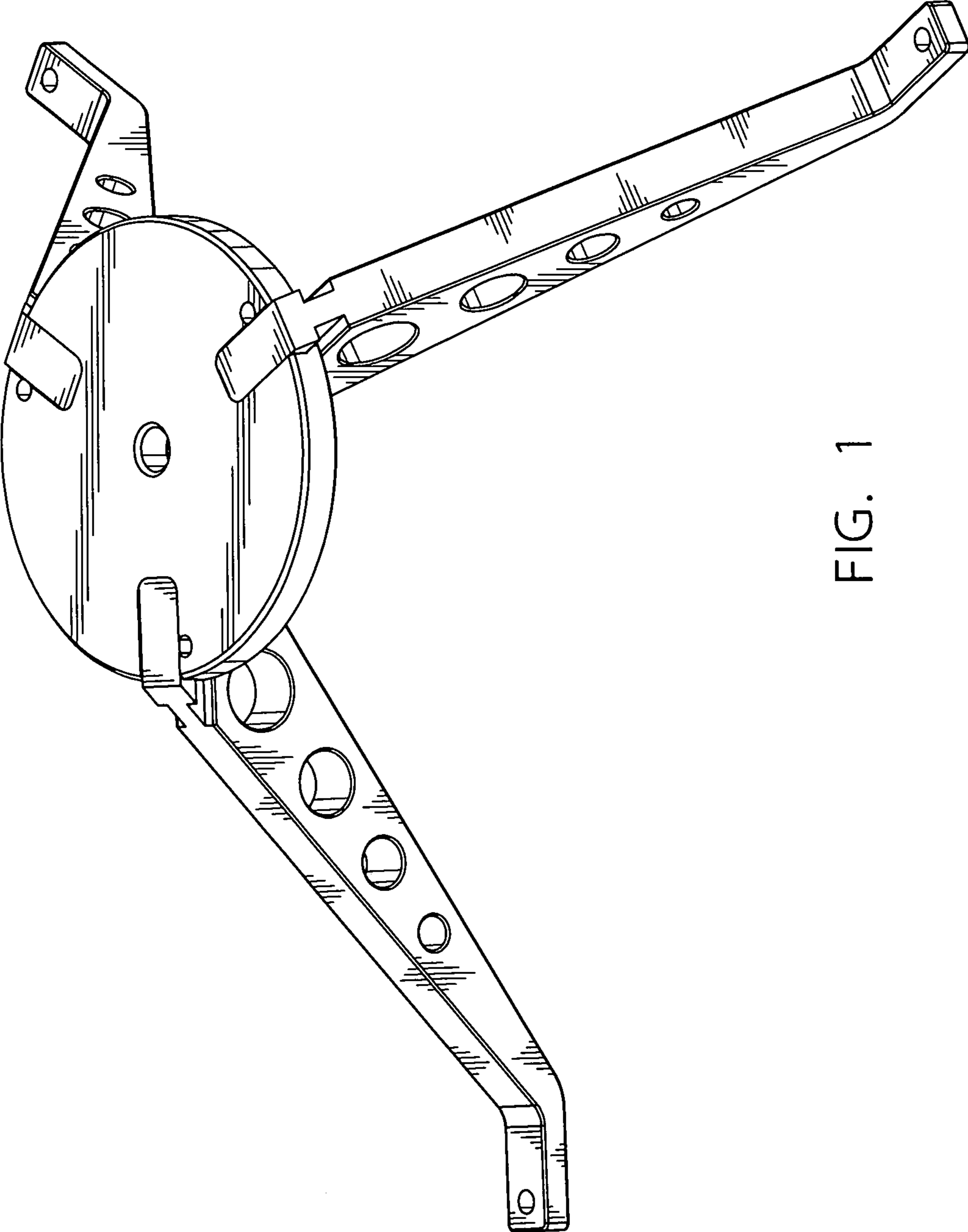


FIG. 1

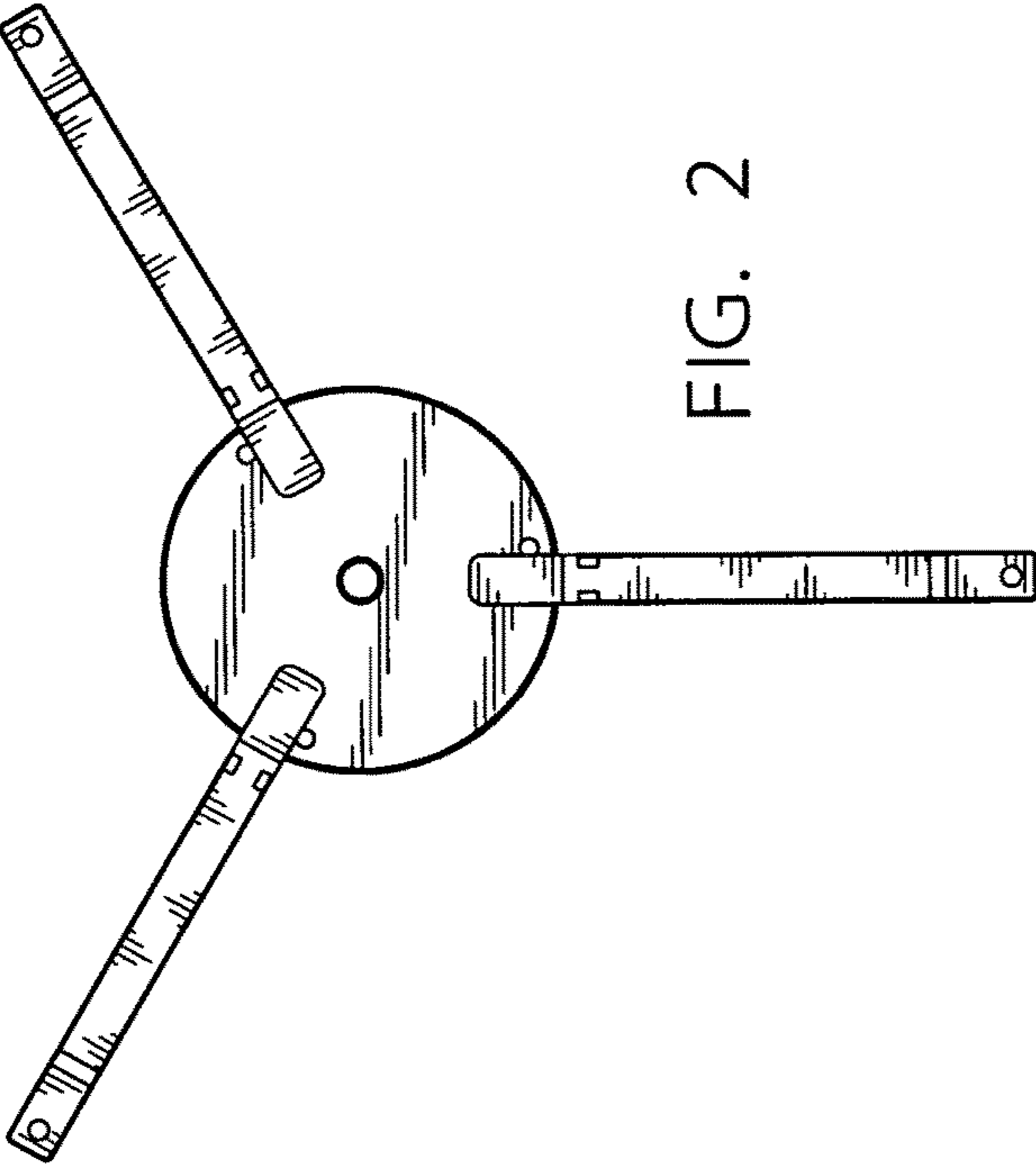


FIG. 2

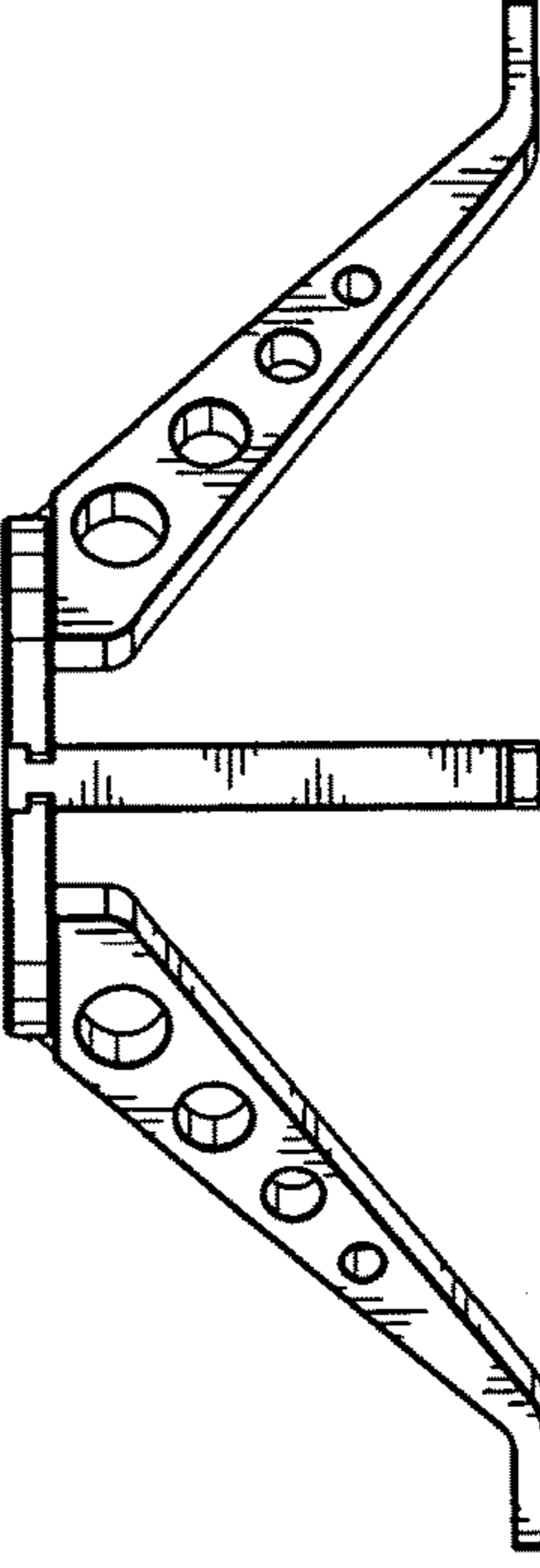


FIG. 4

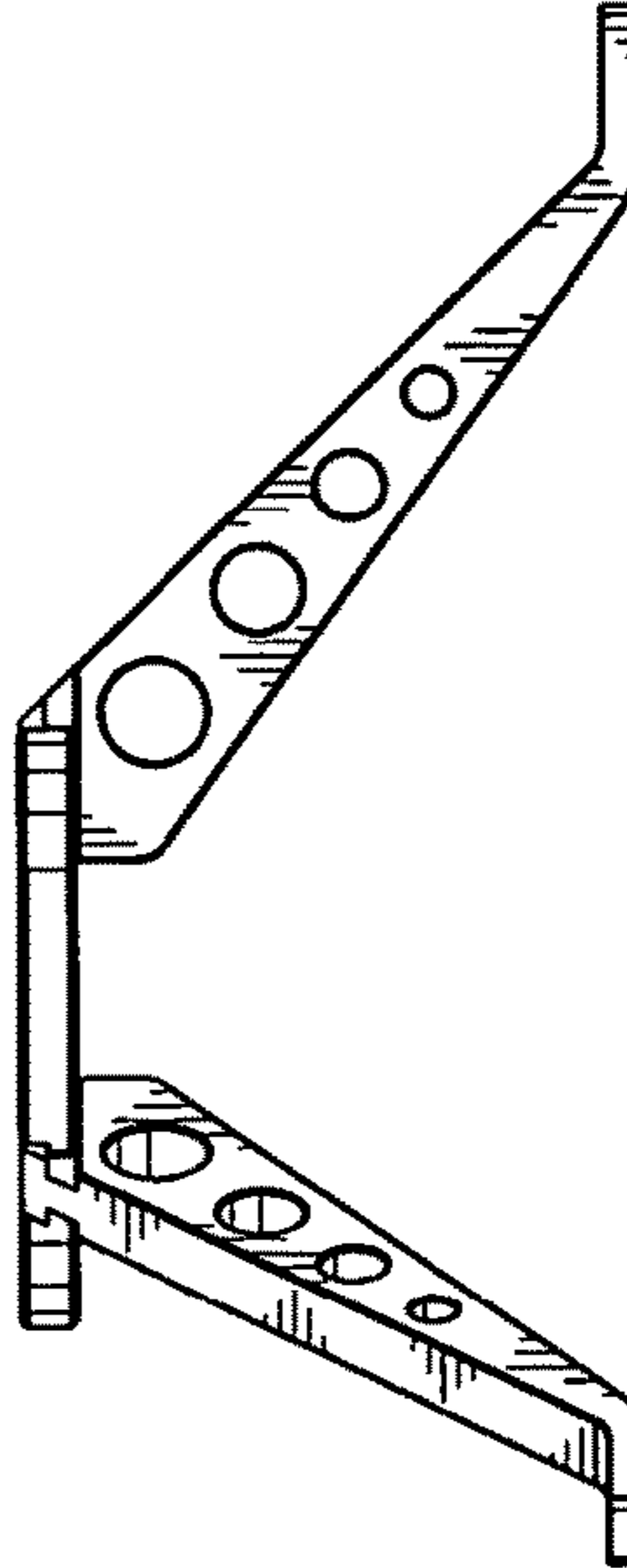


FIG. 3

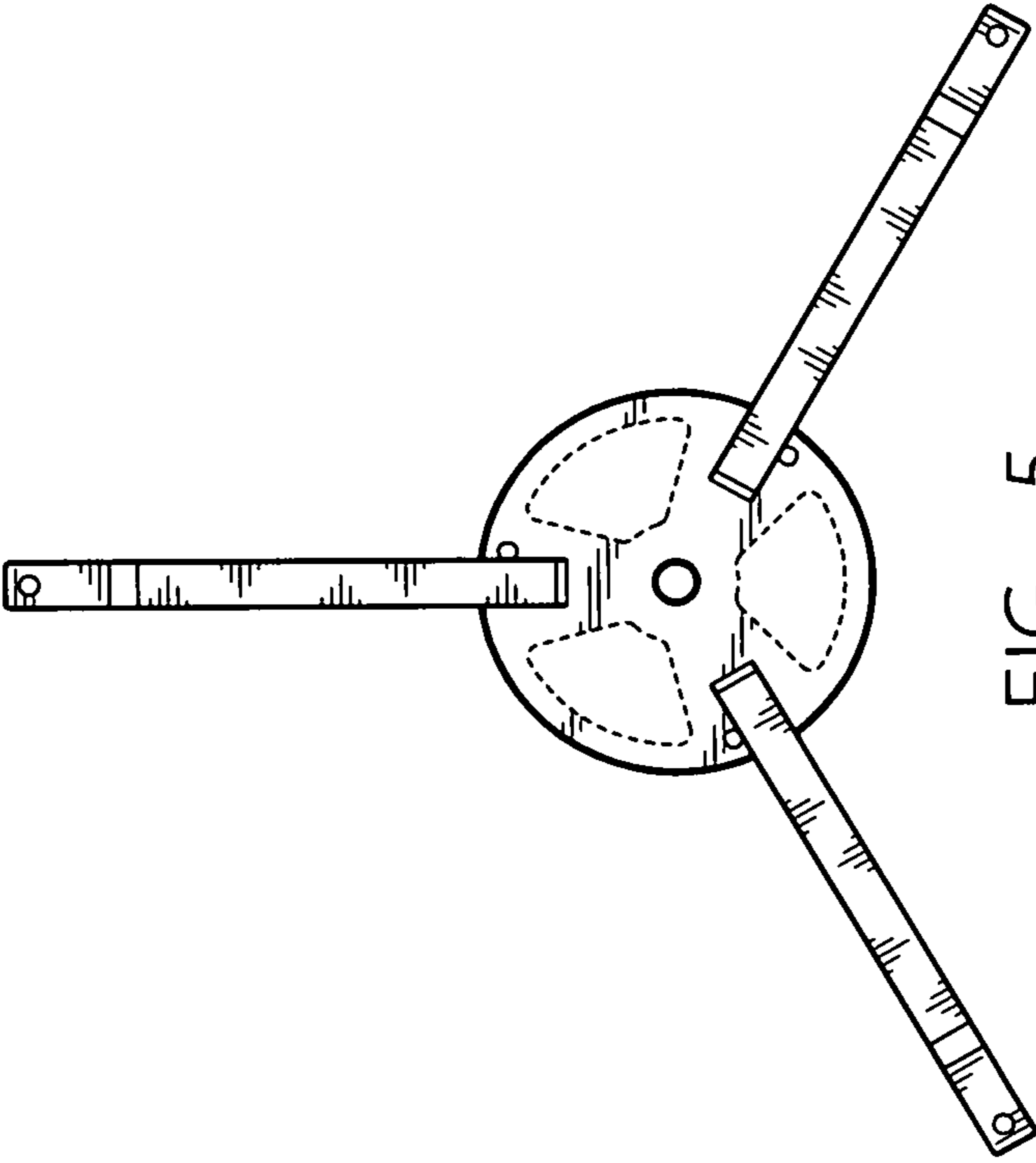


FIG. 5