



US00D801415S

(12) **United States Design Patent**
Howry

(10) **Patent No.:** **US D801,415 S**

(45) **Date of Patent:** **** Oct. 31, 2017**

(54) **CAMERA BRACKET**

(71) Applicant: **Alan Sterling Howry**, Austin, TX (US)

(72) Inventor: **Alan Sterling Howry**, Austin, TX (US)

(**) Term: **15 Years**

(21) Appl. No.: **29/561,473**

(22) Filed: **Apr. 15, 2016**

(51) **LOC (10) Cl.** **16-05**

(52) **U.S. Cl.**
USPC **D16/242**

(58) **Field of Classification Search**
USPC D16/134, 136, 210–219, 235, 237–245,
D16/250; D14/217, 229, 250–253;
D23/259, 262; D8/364, 381, 383, 384
CPC G03B 17/02; G03B 17/04; G03B 17/14;
G03B 17/56; G03B 17/561–17/568;
G03B 7/00–7/002; G03B 7/02–7/04;
G03B 7/14; G03B 21/20–21/2066; F16M
11/02; F16M 11/04; F16M 11/20; F16M
11/40

See application file for complete search history.

(56) **References Cited**

U.S. PATENT DOCUMENTS

D130,168 S *	10/1941	Hodges	D13/122
D194,766 S *	3/1963	Isham	D6/328
D229,480 S *	12/1973	Brushaber	D8/355
D394,999 S *	6/1998	Phillip	D8/380
D479,117 S *	9/2003	Mercier	D8/354
6,679,467 B1 *	1/2004	Softness	F16M 11/2071 248/278.1
D488,704 S *	4/2004	Mercier	D8/354
D514,612 S *	2/2006	Boele	D16/242
D563,452 S *	3/2008	Tan	D16/237
D569,891 S *	5/2008	Dittmer	D16/235

D579,759 S *	11/2008	Strait	D8/349
D619,154 S *	7/2010	Feng	D16/134
8,201,785 B2	6/2012	Goodman		
8,480,316 B2	7/2013	Smith		
D712,732 S *	9/2014	Andrews	D8/396
D717,856 S *	11/2014	Slawson	D16/237
D729,863 S	5/2015	Gorsuch et al.		
D753,210 S	4/2016	Gorsuch et al.		
D757,843 S	5/2016	Gorsuch et al.		
D761,085 S *	7/2016	Cox	D8/354

* cited by examiner

Primary Examiner — Vy Koenig

Assistant Examiner — Omeed Agilee

(74) *Attorney, Agent, or Firm* — Vinson & Elkins LLP

(57) **CLAIM**

I claim the ornamental design for a camera bracket, as shown and described.

DESCRIPTION

FIG. 1 is a front, right, and top perspective view of a camera bracket showing my new design.

FIG. 2 is a front elevational view thereof.

FIG. 3 is a rear elevational view thereof.

FIG. 4 is a left elevational view thereof.

FIG. 5 is a right elevational view thereof.

FIG. 6 is a top plan view thereof.

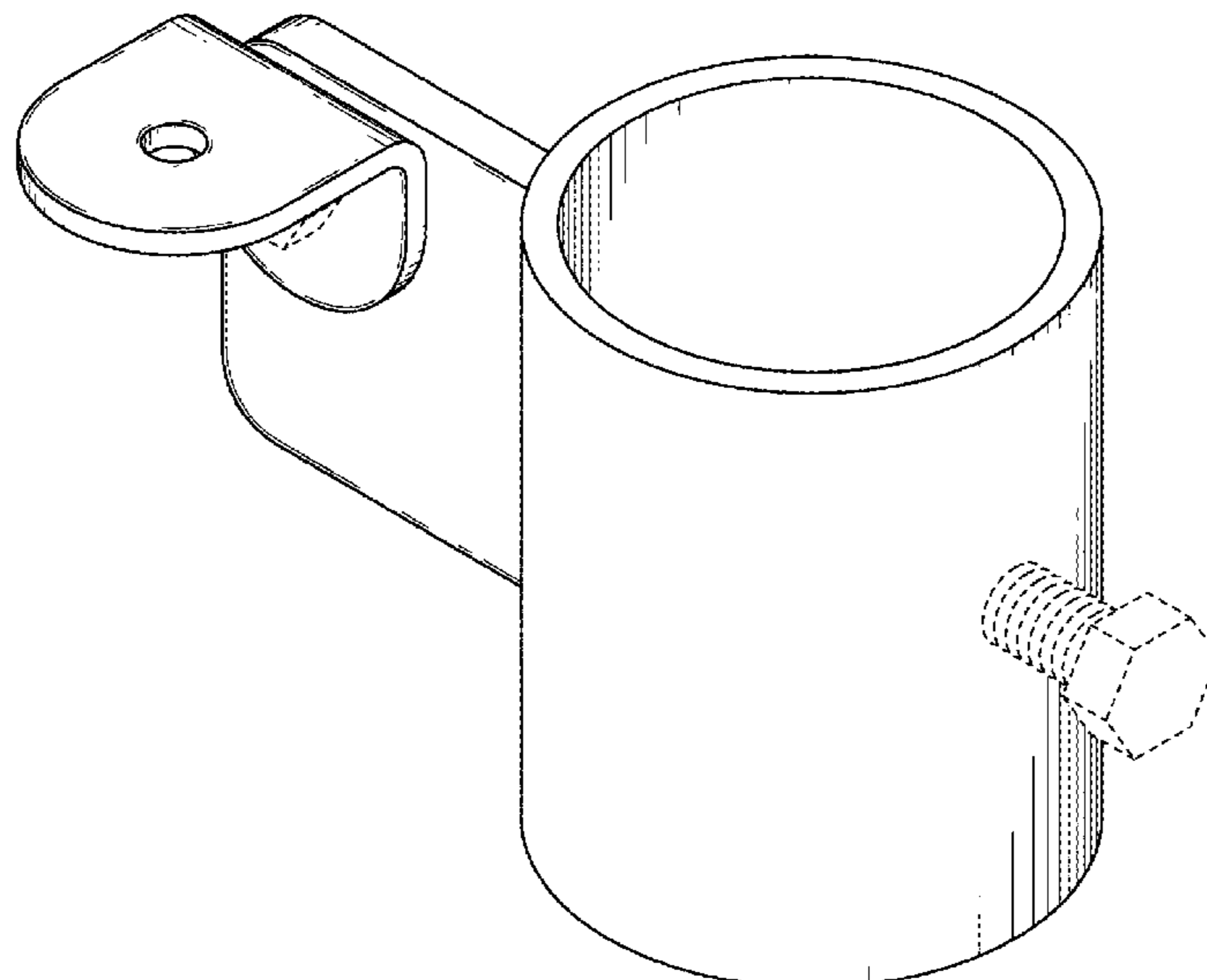
FIG. 7 is a bottom plan view thereof.

FIG. 8 is a front, right, and top perspective view thereof in an alternate configuration, in which the camera attachment piece is in the opposite orientation; and,

FIG. 9 is a front, right, and top perspective view thereof in an environment of use.

The broken lines in all figures depict portions of the camera bracket and environmental subject matter that form no part of the claimed design.

1 Claim, 6 Drawing Sheets



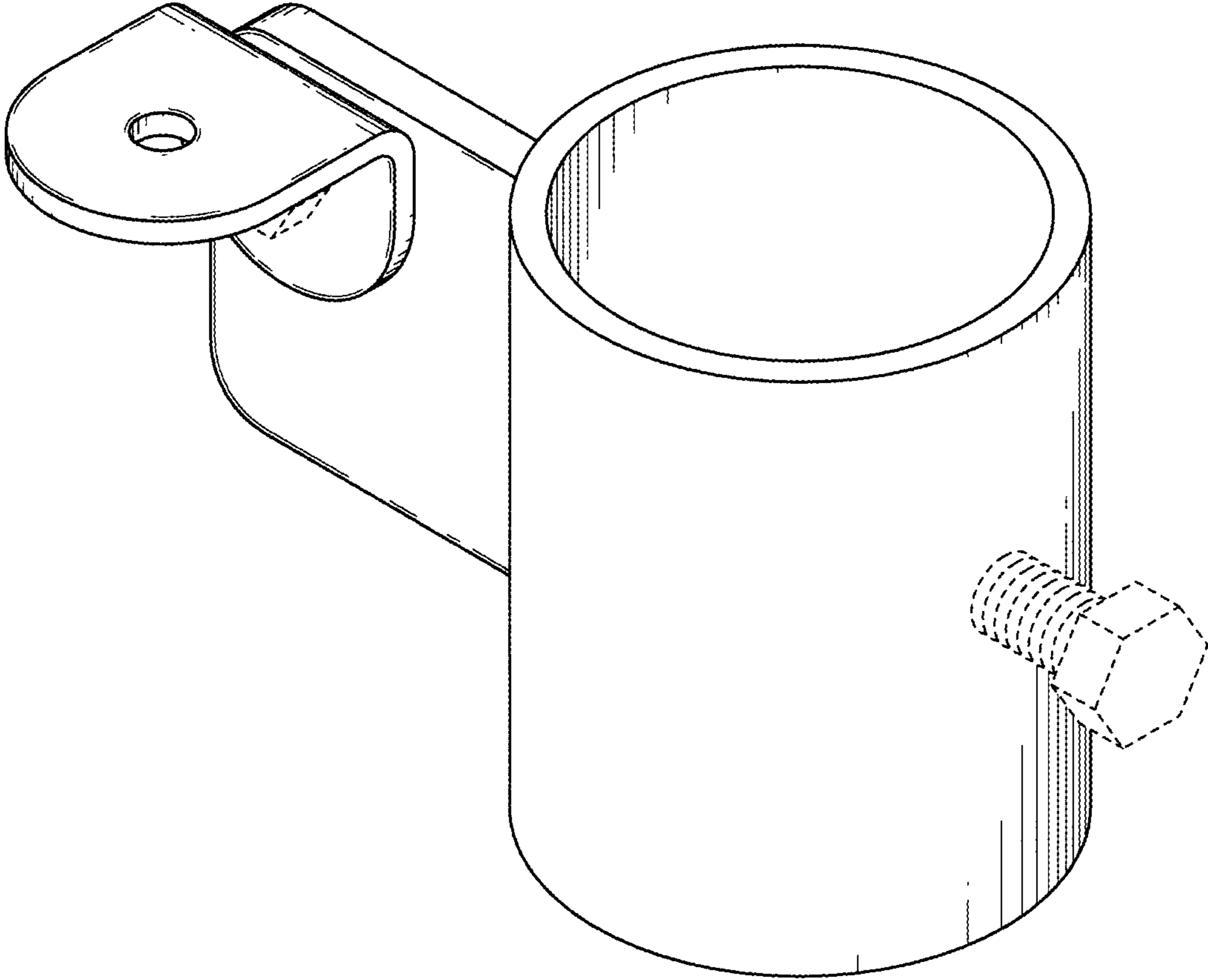


FIG. 1

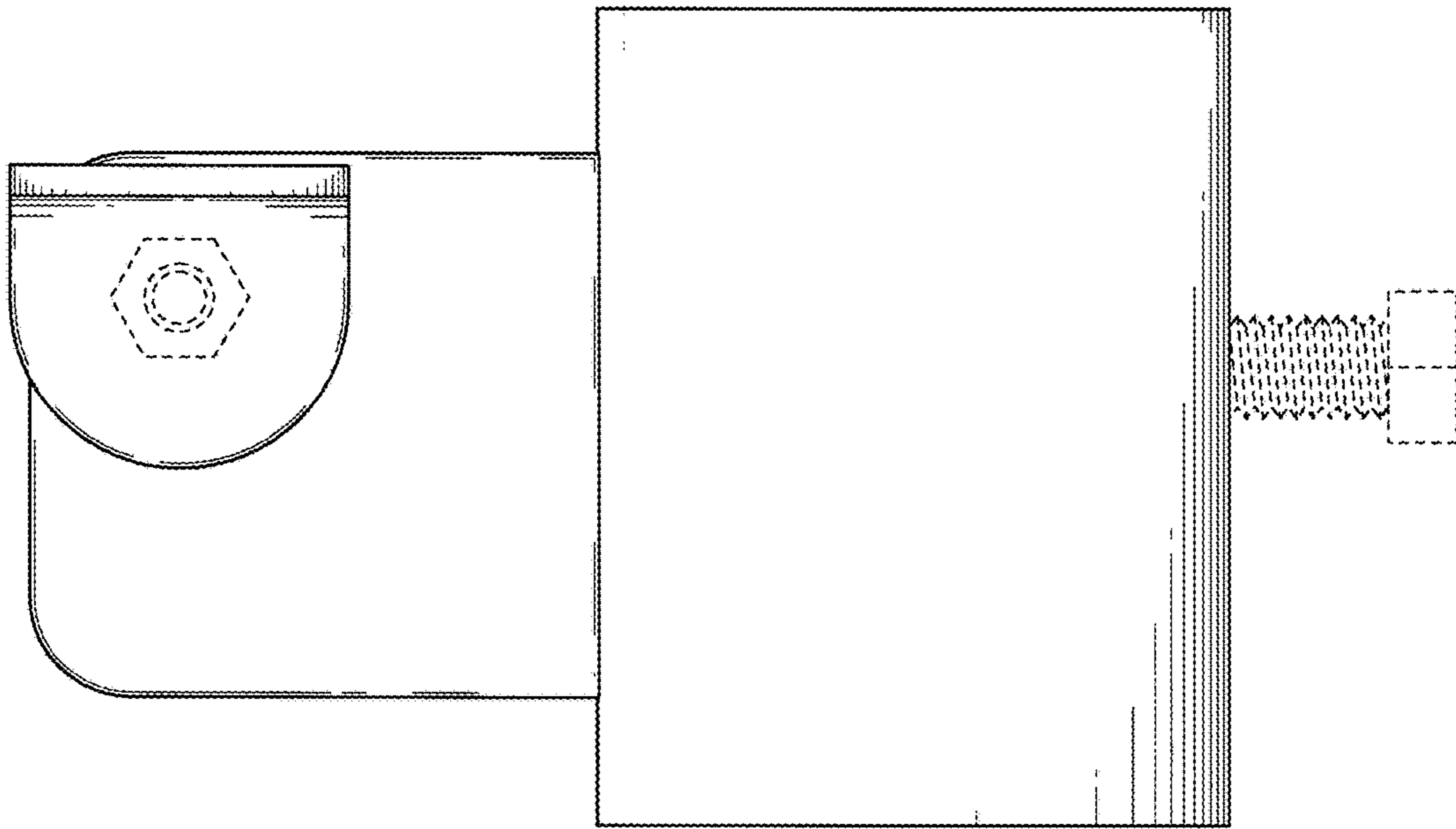


FIG. 2

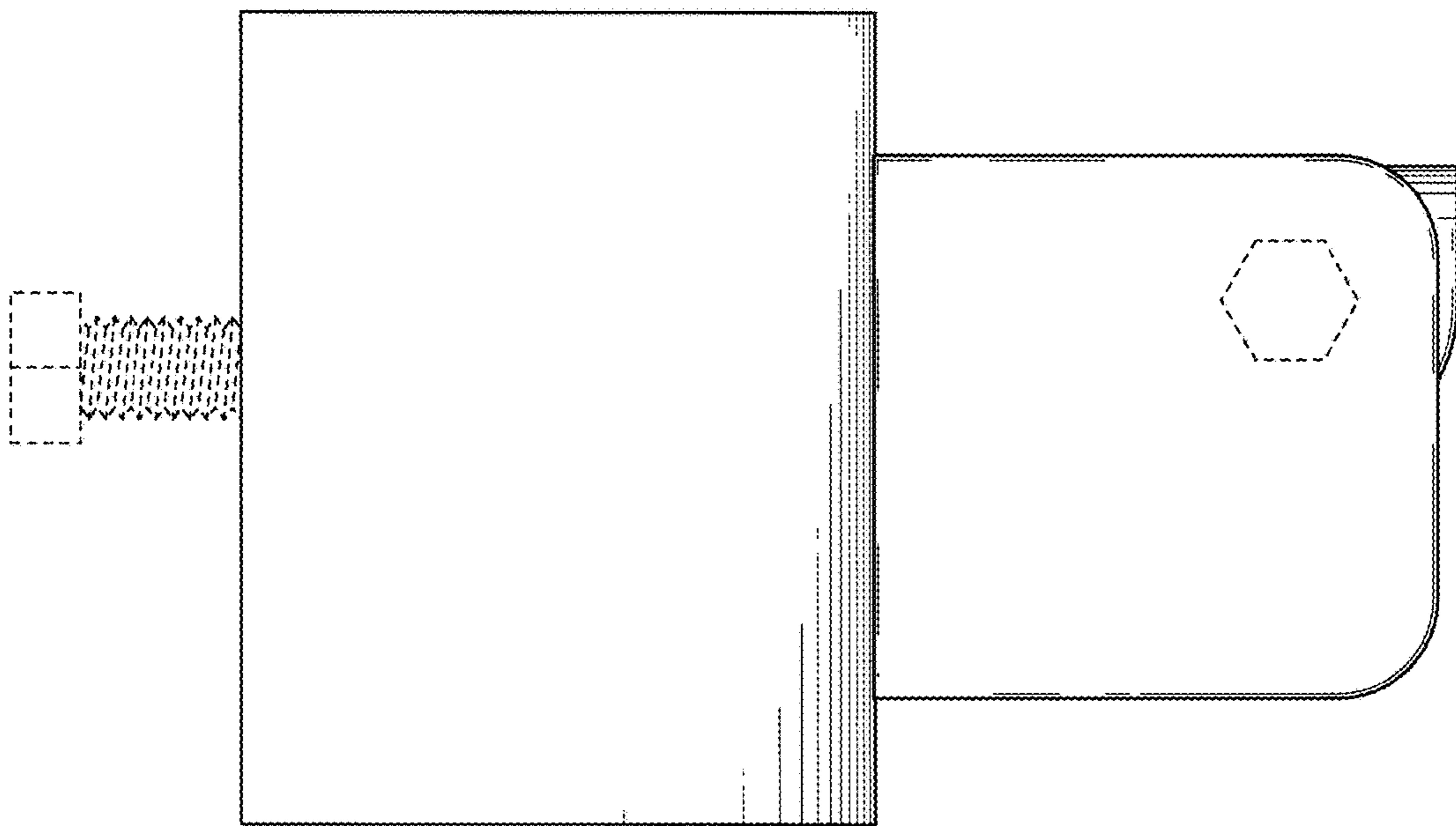


FIG. 3

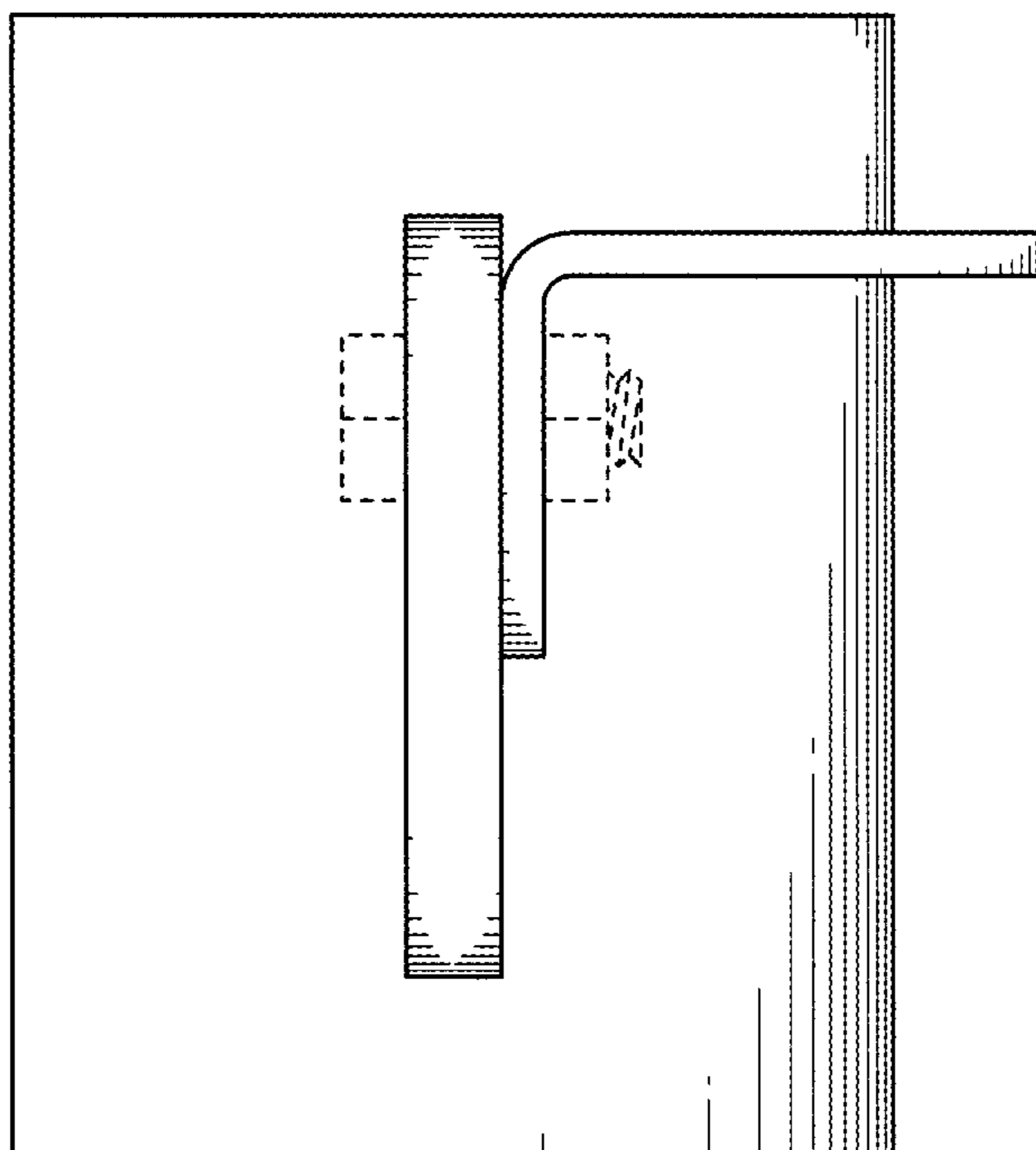


FIG. 4

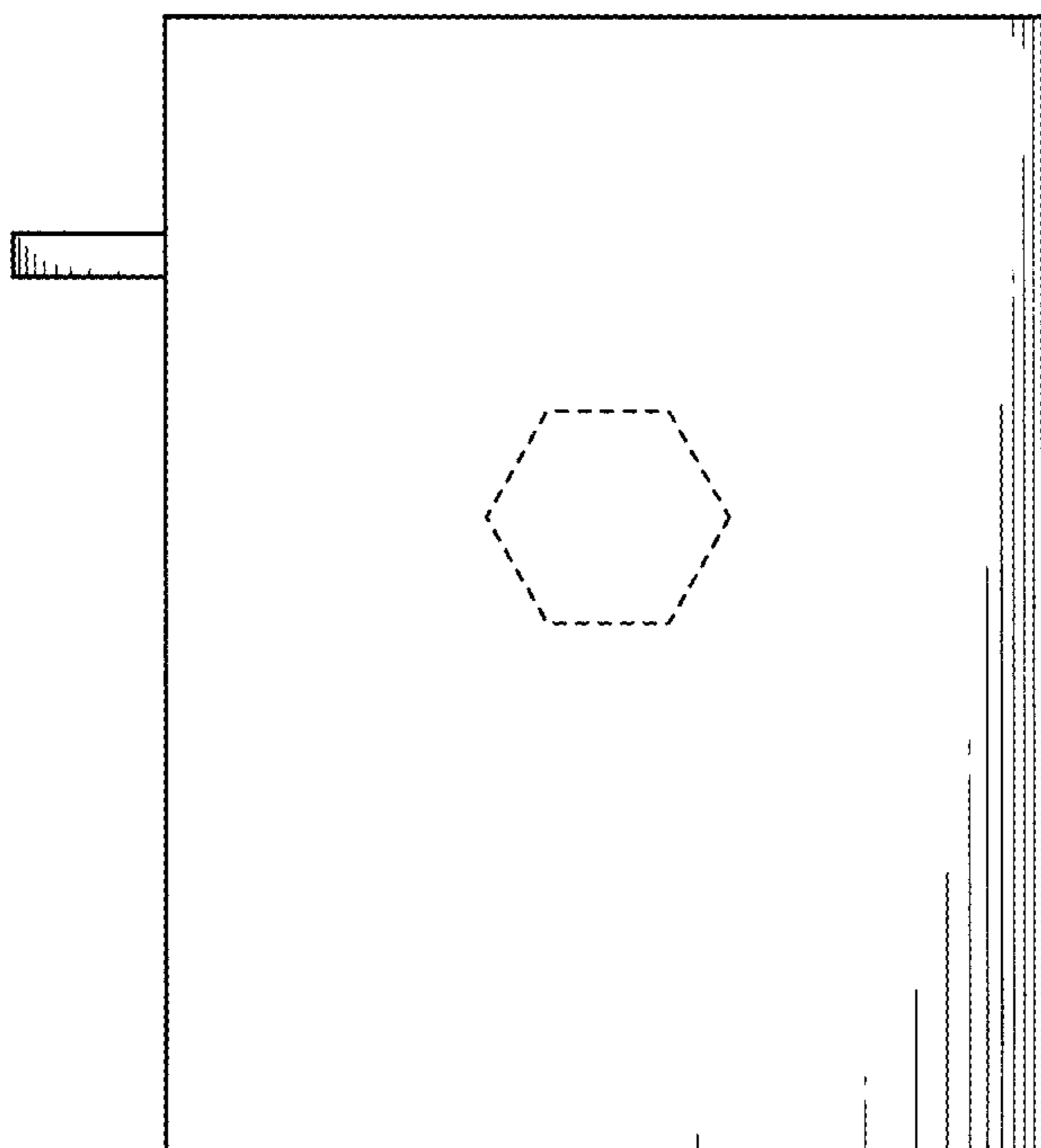


FIG. 5

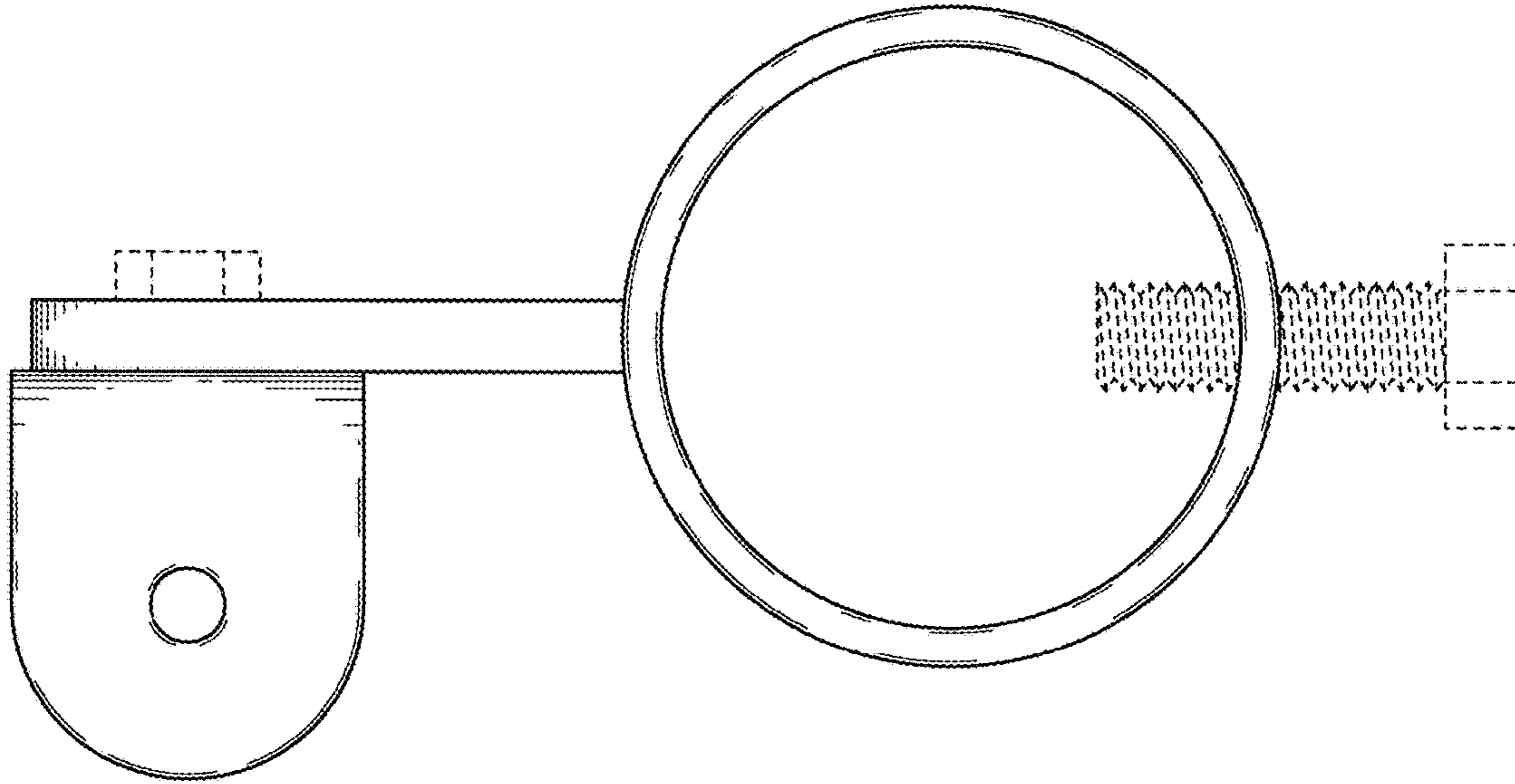


FIG. 6

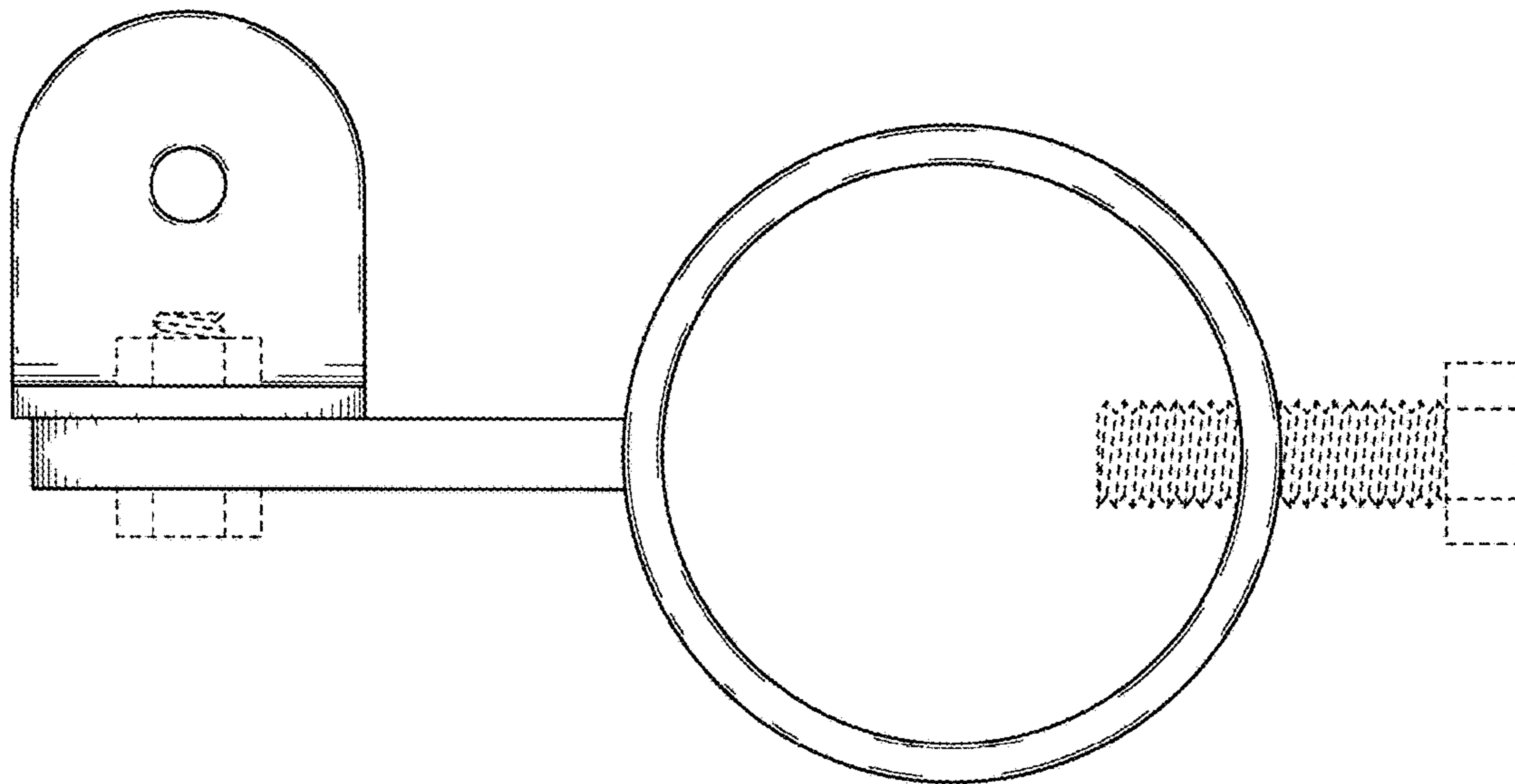


FIG. 7

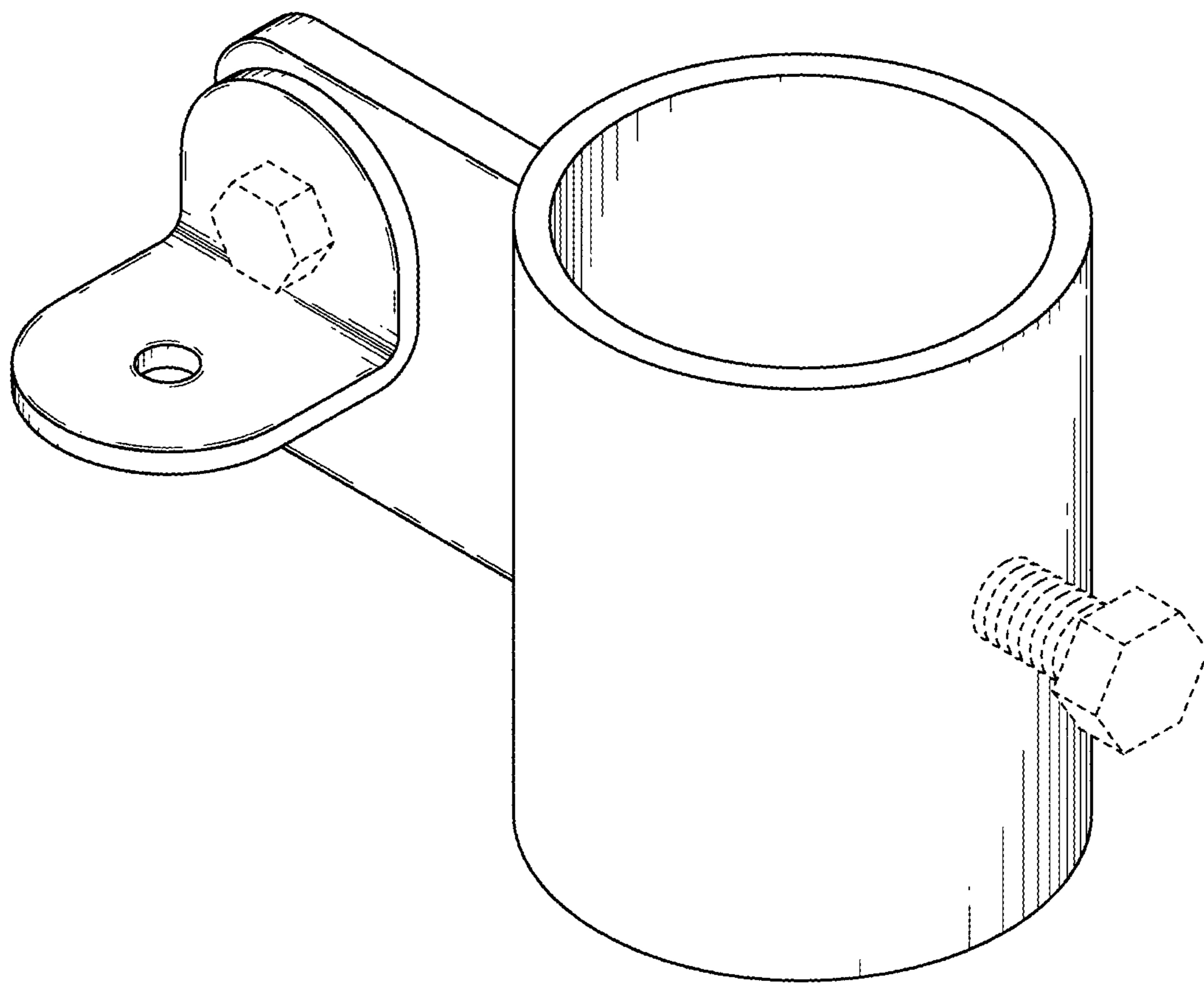


FIG. 8

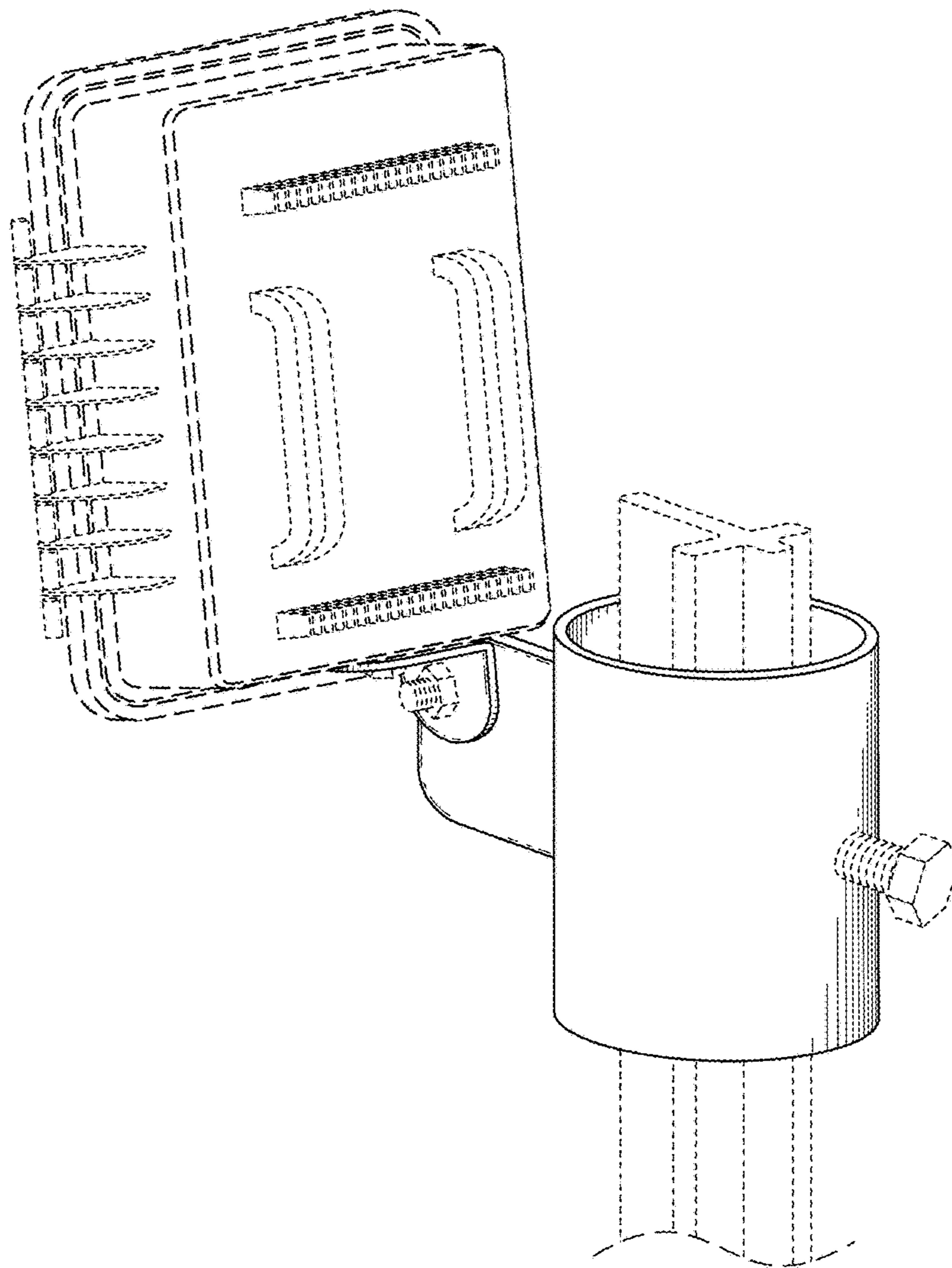


FIG. 9