



US00D801413S

(12) **United States Design Patent**
Martin et al.

(10) **Patent No.:** **US D801,413 S**
(45) **Date of Patent:** **** Oct. 31, 2017**

(54) **COUPLING MOUNT FOR PORTABLE CAMERA**

(71) Applicant: **OCLU, LLC**, Tempe, AZ (US)

(72) Inventors: **Hugo Martin**, Oxfordshire (GB);
Robert William Moore, Theale (GB);
Firas Kittaneh, Tempe, AZ (US)

(73) Assignee: **OCLU, Ltd.**, East Grinstead (GB)

(**) Term: **15 Years**

(21) Appl. No.: **29/551,164**

(22) Filed: **Jan. 11, 2016**

(51) **LOC (10) Cl.** **16-05**

(52) **U.S. Cl.**
USPC **D16/242**

(58) **Field of Classification Search**
USPC D16/200, 208, 213–219, 235, 237,
D16/238–250; D14/209, 217, 224, 251;
D8/307, 310, 349, 367
CPC G03B 17/14; G03B 17/56; G03B
17/561–17/568; G03B 15/041–15/0436;
G02B 7/00–7/002; G02B 7/02–7/04;
F16M 11/02; F16M 11/04; F16M 11/20;
F16M 11/40

See application file for complete search history.

(56) **References Cited**

U.S. PATENT DOCUMENTS

D569,891 S * 5/2008 Dittmer D16/235
D599,192 S * 9/2009 Andren D8/354

D666,662 S * 9/2012 Runnals D16/242
D678,040 S * 3/2013 Shikama D8/360
D703,657 S * 4/2014 Carnevali D14/253
D714,126 S * 9/2014 Pyon D8/349
D737,130 S * 8/2015 Carrubba D8/382
D777,342 S * 1/2017 Piramoon D24/224
2002/0109053 A1* 8/2002 Lemieux F16M 11/14
248/187.1

* cited by examiner

Primary Examiner — Vy Koenig

Assistant Examiner — Omeed Agilee

(74) *Attorney, Agent, or Firm* — Weiss & Moy, P.C.;
Jeffrey D. Moy

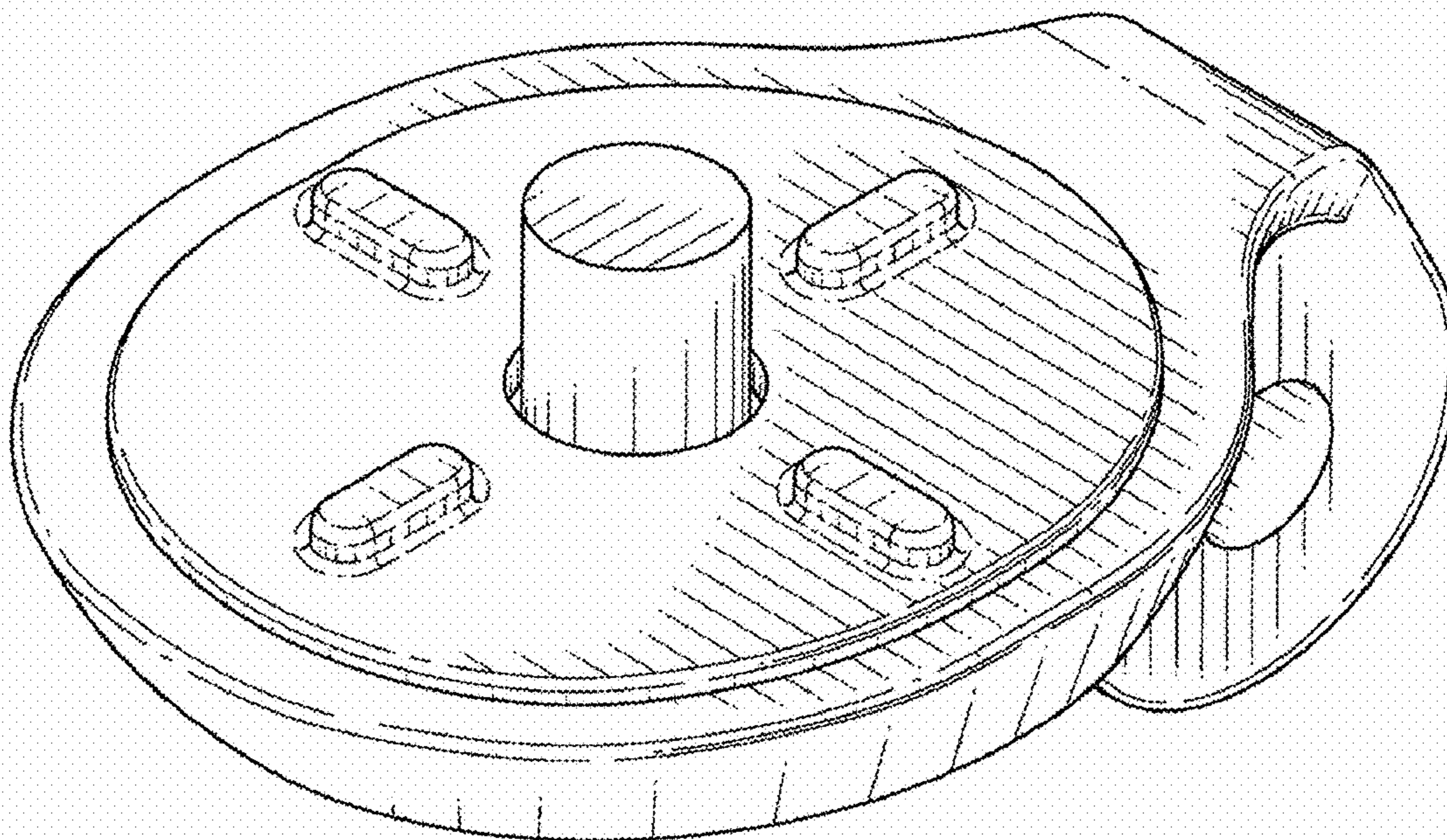
(57) **CLAIM**

The ornamental design for a coupling mount for portable camera, as shown and described.

DESCRIPTION

FIG. 1 is a front, right, top perspective view of a coupling mount for portable camera showing my new design;
FIG. 2 is a front view of the coupling mount for portable camera;
FIG. 3 is a rear view of the coupling mount for portable camera;
FIG. 4 is a right side view of the coupling mount for portable camera;
FIG. 5 is a left view of the coupling mount for portable camera;
FIG. 6 is a top view of the coupling mount for portable camera; and,
FIG. 7 is a bottom view of the coupling mount for portable camera.

1 Claim, 4 Drawing Sheets



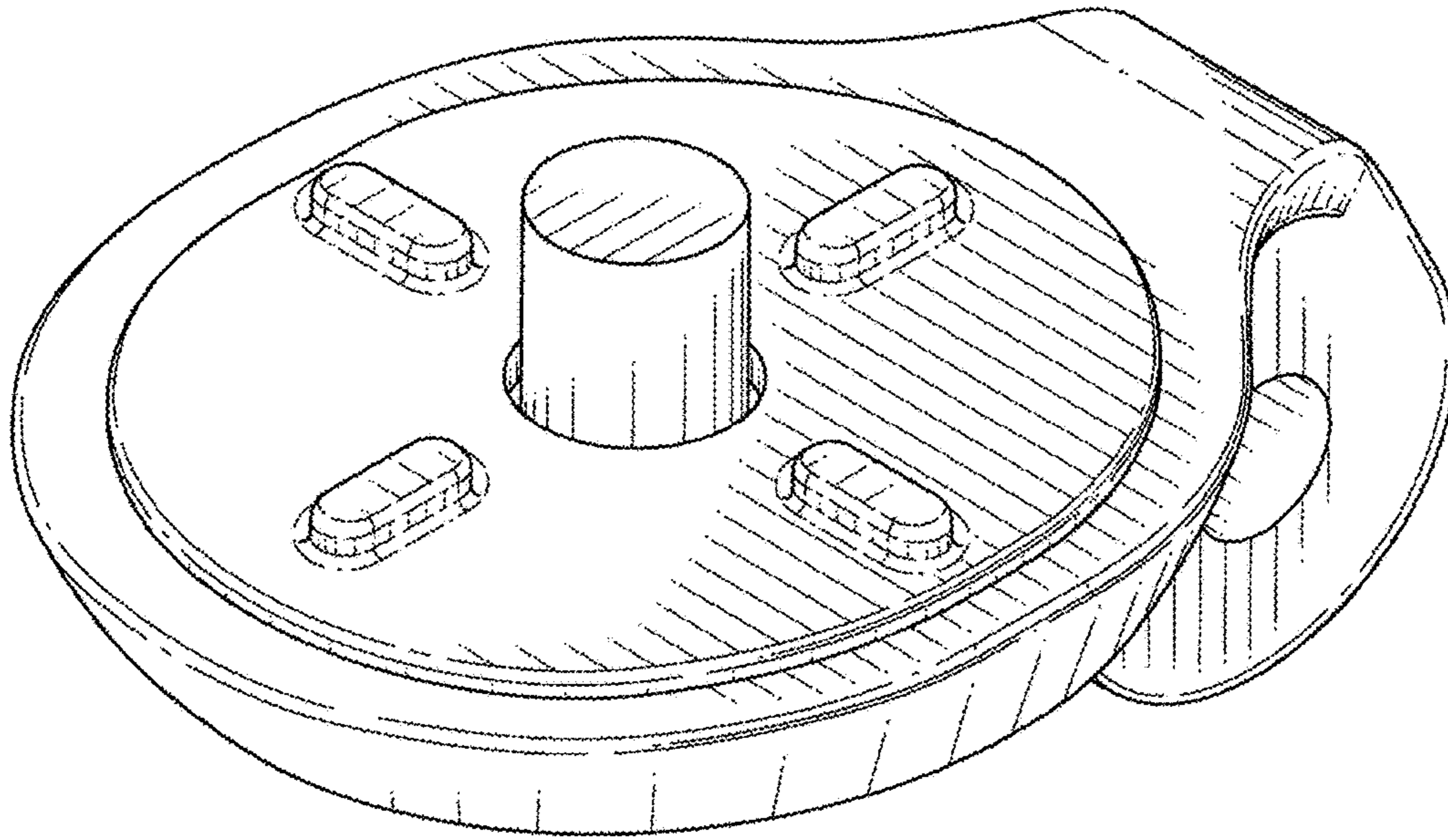


FIG. 1

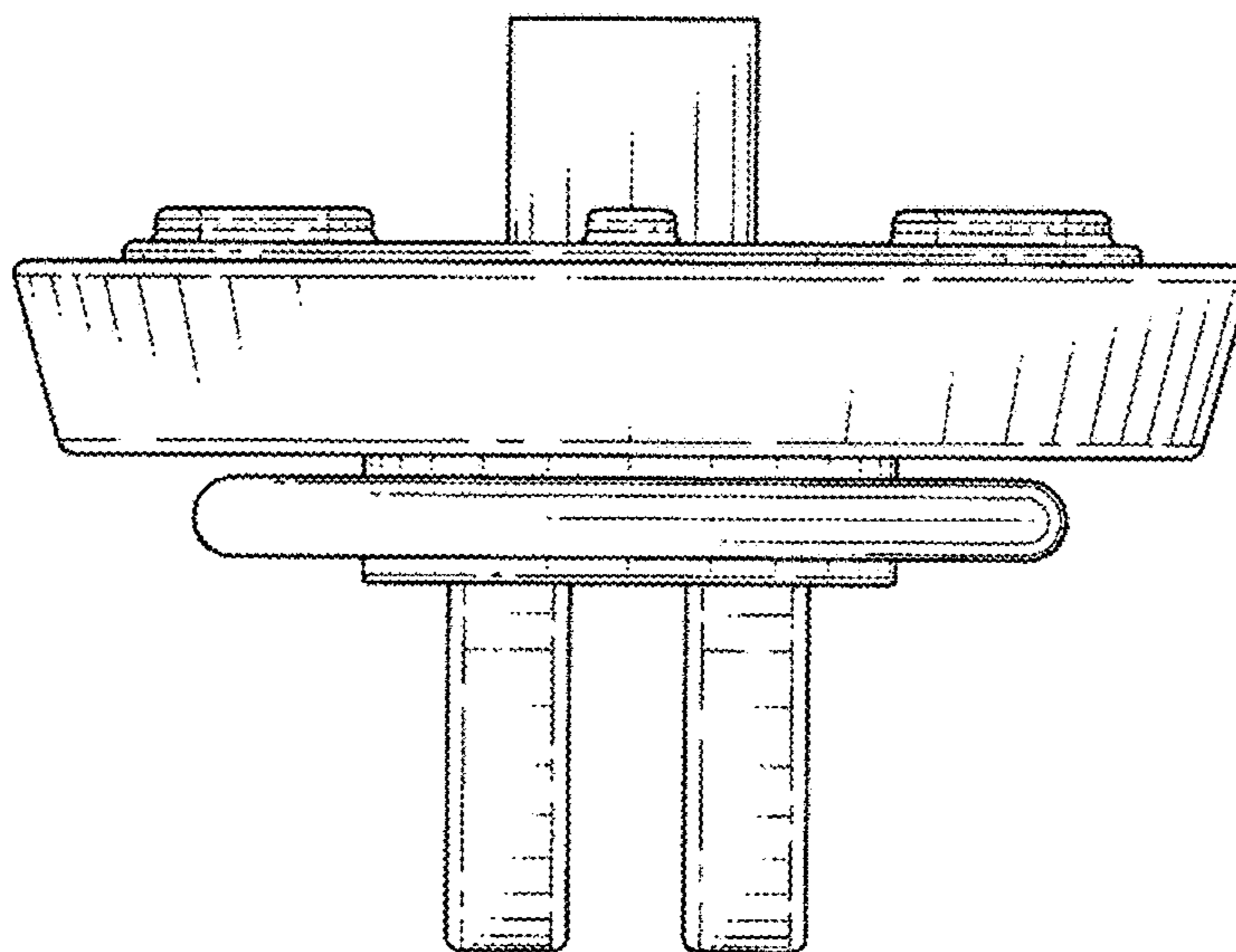


FIG. 2

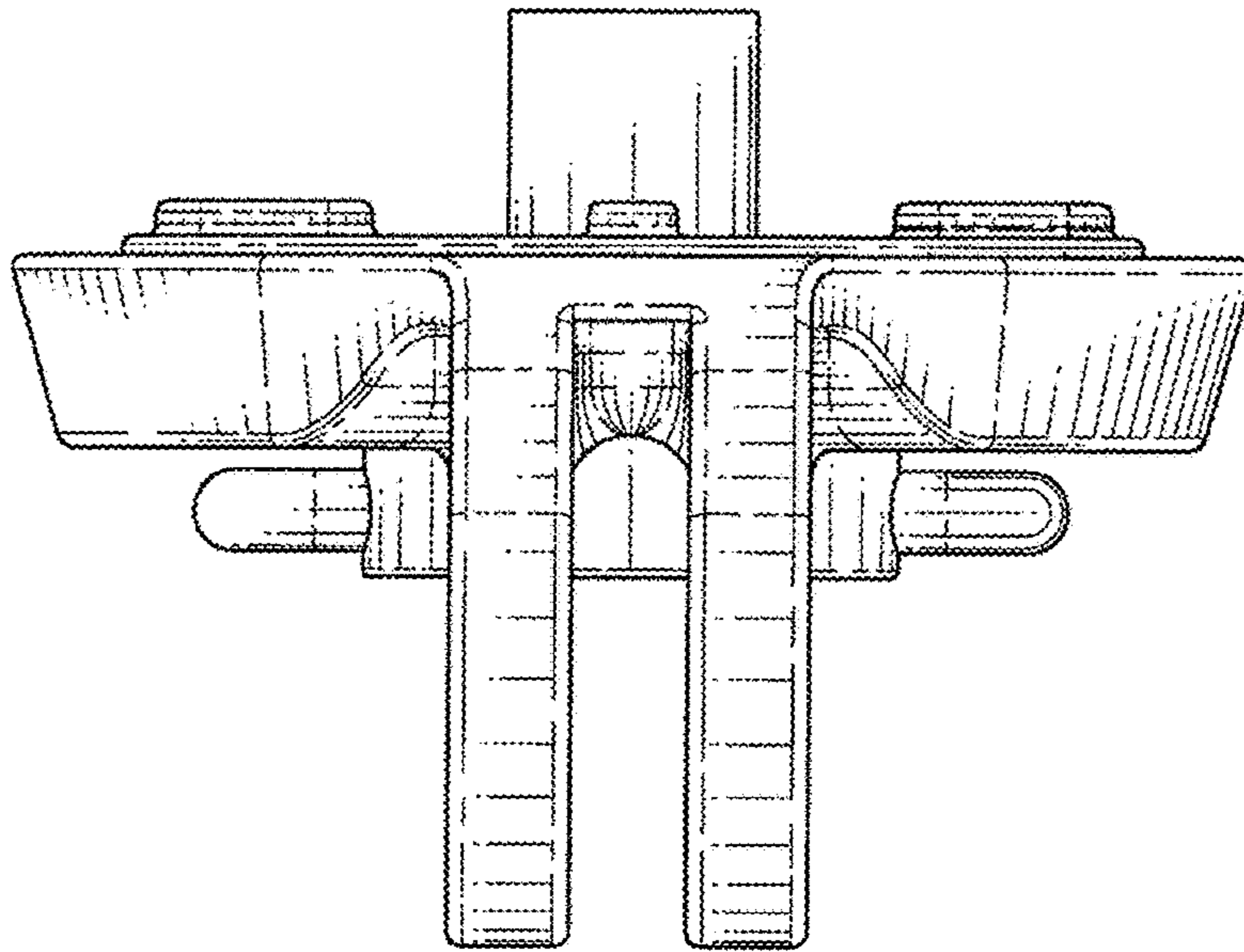


FIG. 3

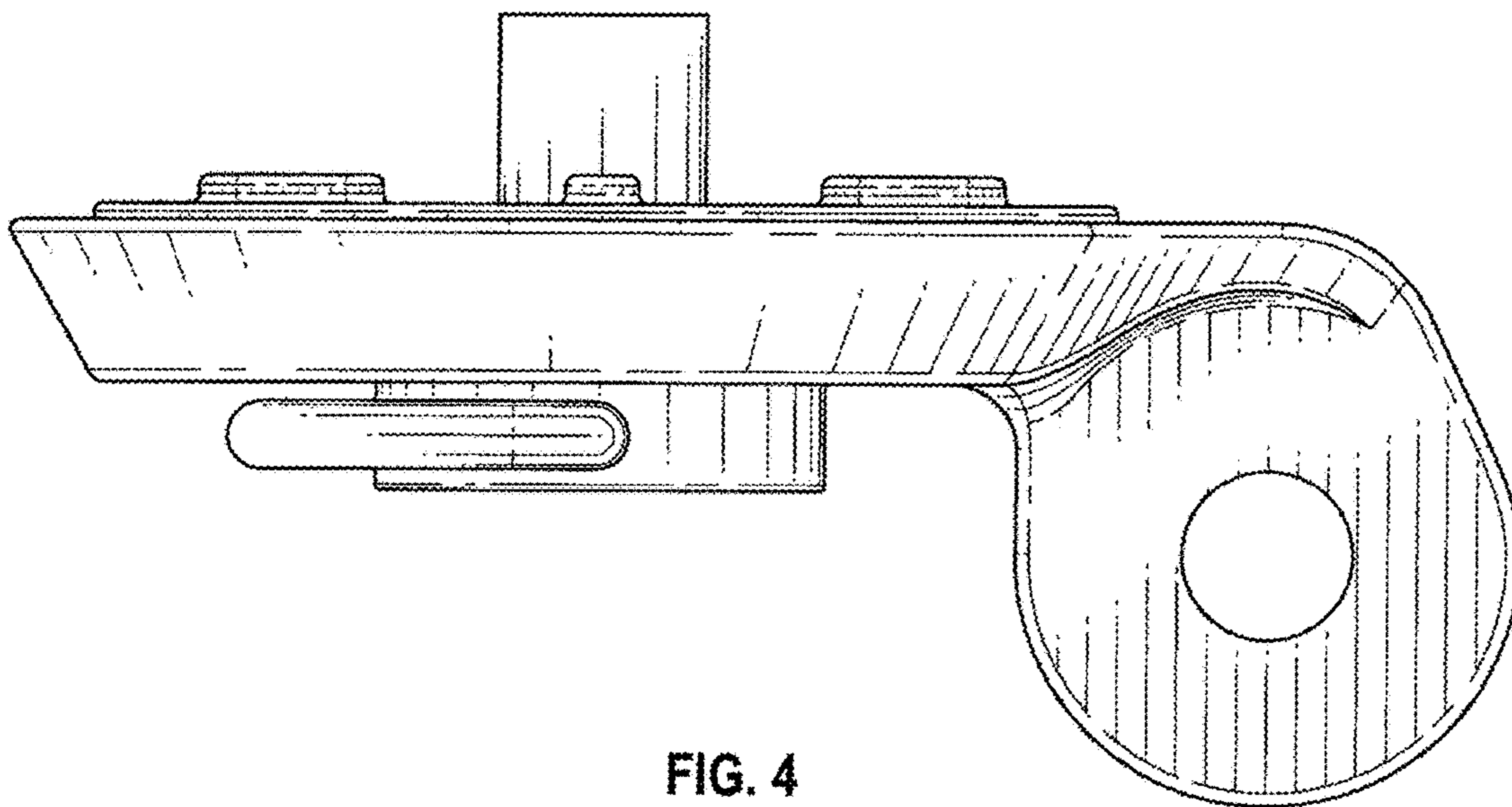


FIG. 4

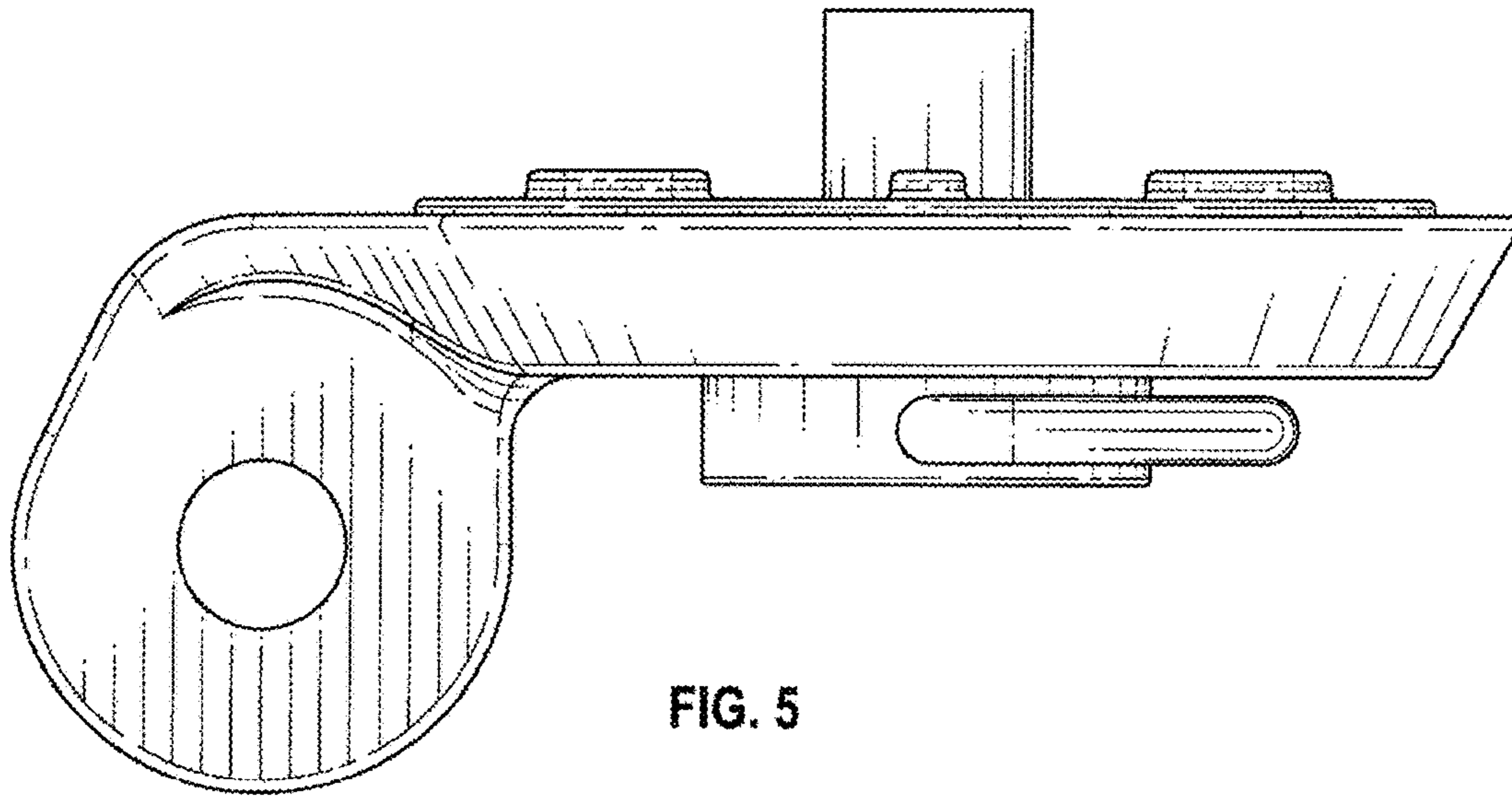


FIG. 5

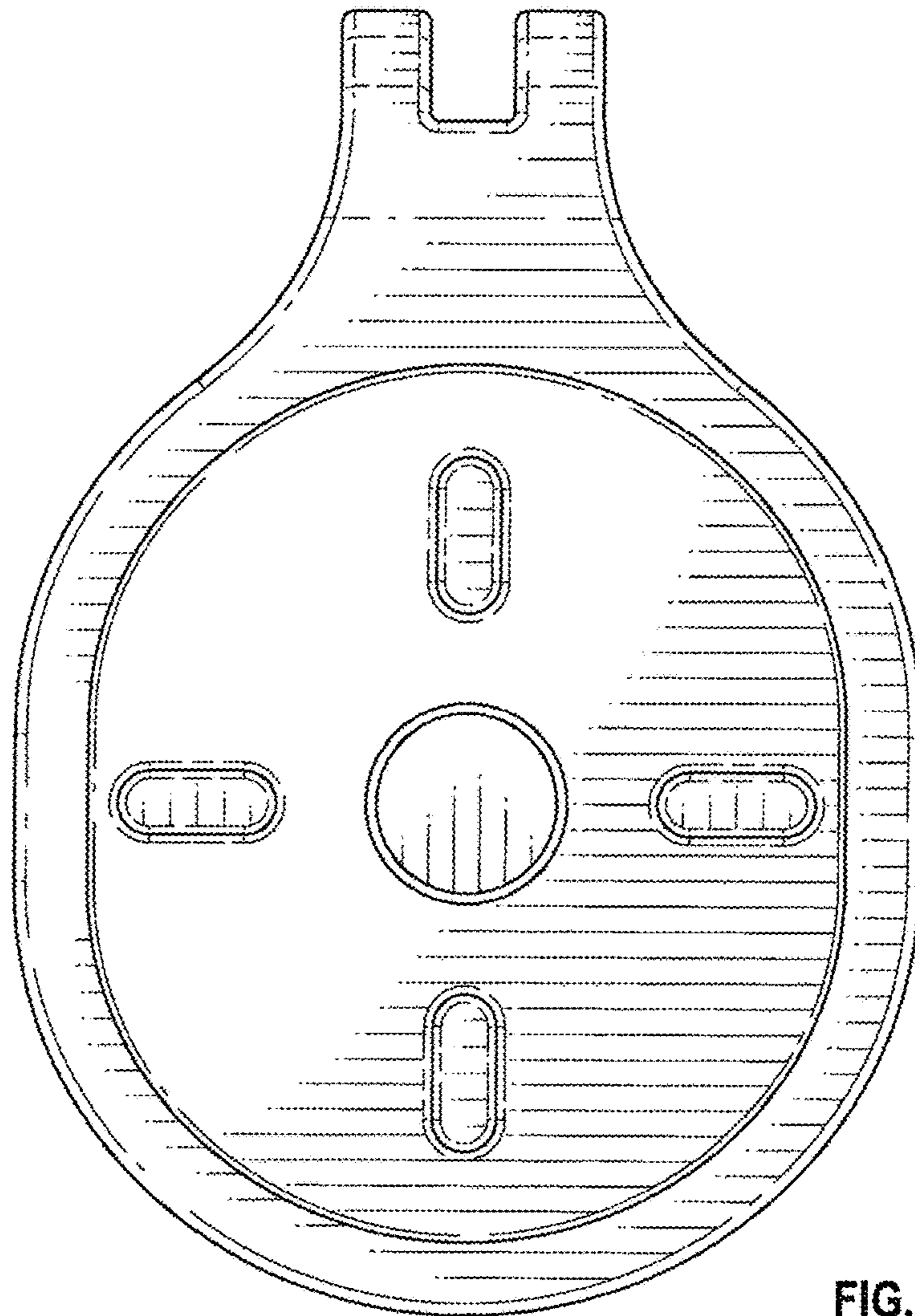


FIG. 6

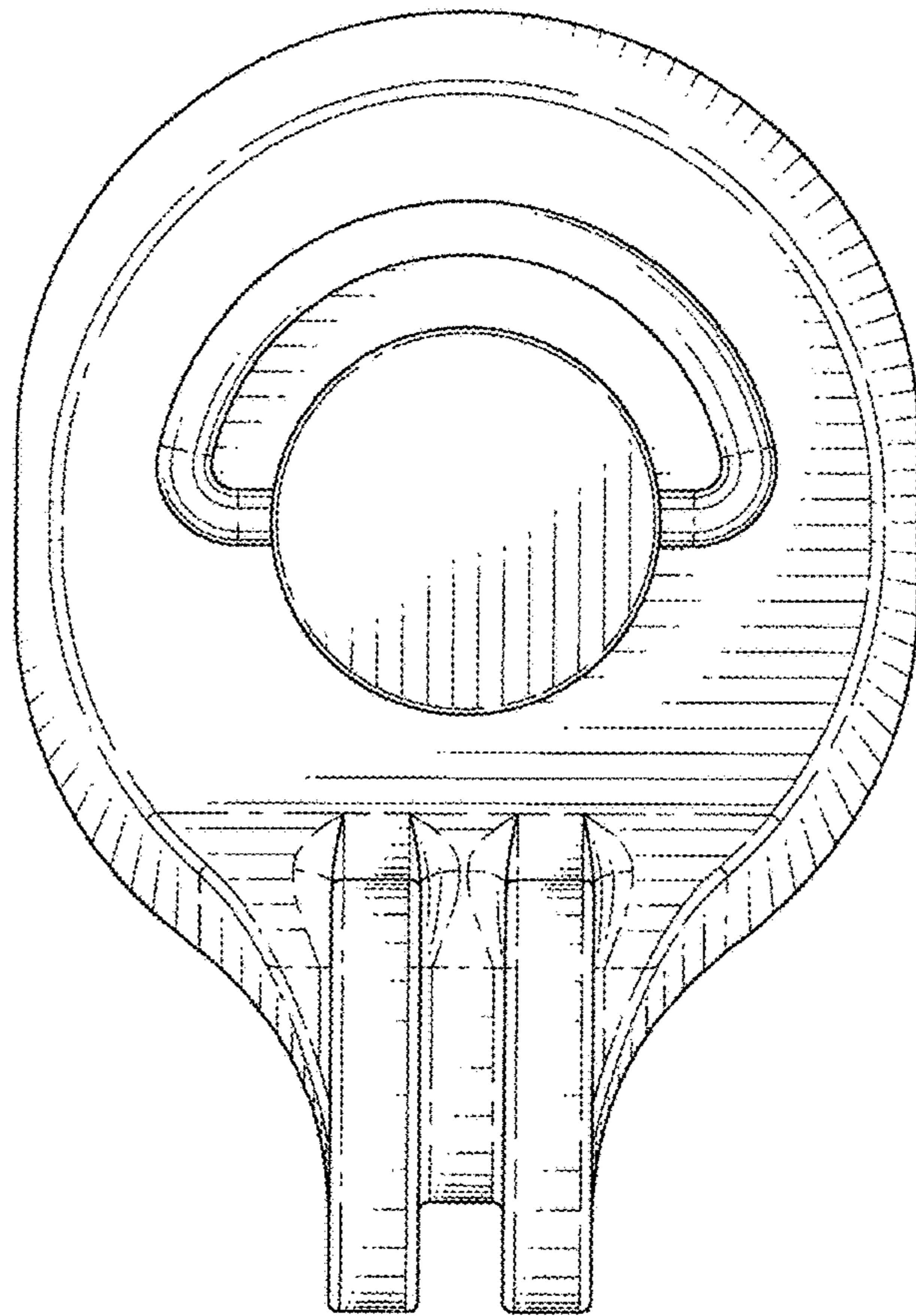


FIG. 7