



US00D801412S

(12) **United States Design Patent**  
**Inoue et al.**

(10) **Patent No.:** **US D801,412 S**  
(45) **Date of Patent:** **\*\* Oct. 31, 2017**

(54) **PROJECTOR**

(71) Applicant: **SEIKO EPSON CORPORATION,**  
Tokyo (JP)

(72) Inventors: **Saeko Inoue,** Matsumoto (JP);  
**Yasutomo Takahashi,** Matsumoto (JP);  
**Takayuki Sakurai,** Azumino (JP);  
**Junya Hayakawa,** Azumino (JP)

(73) Assignee: **SEIKO EPSON CORPORATION,**  
Tokyo (JP)

(\*\*) Term: **15 Years**

(21) Appl. No.: **29/582,475**

(22) Filed: **Oct. 27, 2016**

(30) **Foreign Application Priority Data**

Apr. 28, 2016 (JP) ..... 2016-009417

(51) **LOC (10) Cl.** ..... **16-02**

(52) **U.S. Cl.**  
USPC ..... **D16/230; D16/225**

(58) **Field of Classification Search**  
USPC ..... D16/221, 225, 230–231, 234–235;  
D21/514  
CPC ..... G03B 21/145; G03B 21/14; G03B 21/00;  
G03B 21/001; G03B 21/003; G03B  
21/12; G03B 21/16

See application file for complete search history.

(56) **References Cited**

**U.S. PATENT DOCUMENTS**

D623,678 S \* 9/2010 Nakayama ..... D16/225  
D647,941 S \* 11/2011 Yuyama ..... D16/225

D663,760 S \* 7/2012 Miyauchi ..... D16/225  
8,454,174 B2 \* 6/2013 Nakano ..... G03B 21/14  
248/176.1  
D691,649 S \* 10/2013 Takeda ..... D16/230  
9,086,617 B2 \* 7/2015 Koyama ..... G03B 21/16  
D744,576 S \* 12/2015 Masuda ..... D16/230  
2011/0279790 A1 \* 11/2011 Kotani ..... G03B 21/14  
353/85  
2012/0008095 A1 \* 1/2012 Sakashita ..... G03B 21/145  
353/15

\* cited by examiner

*Primary Examiner* — Wan Laymon

(57) **CLAIM**

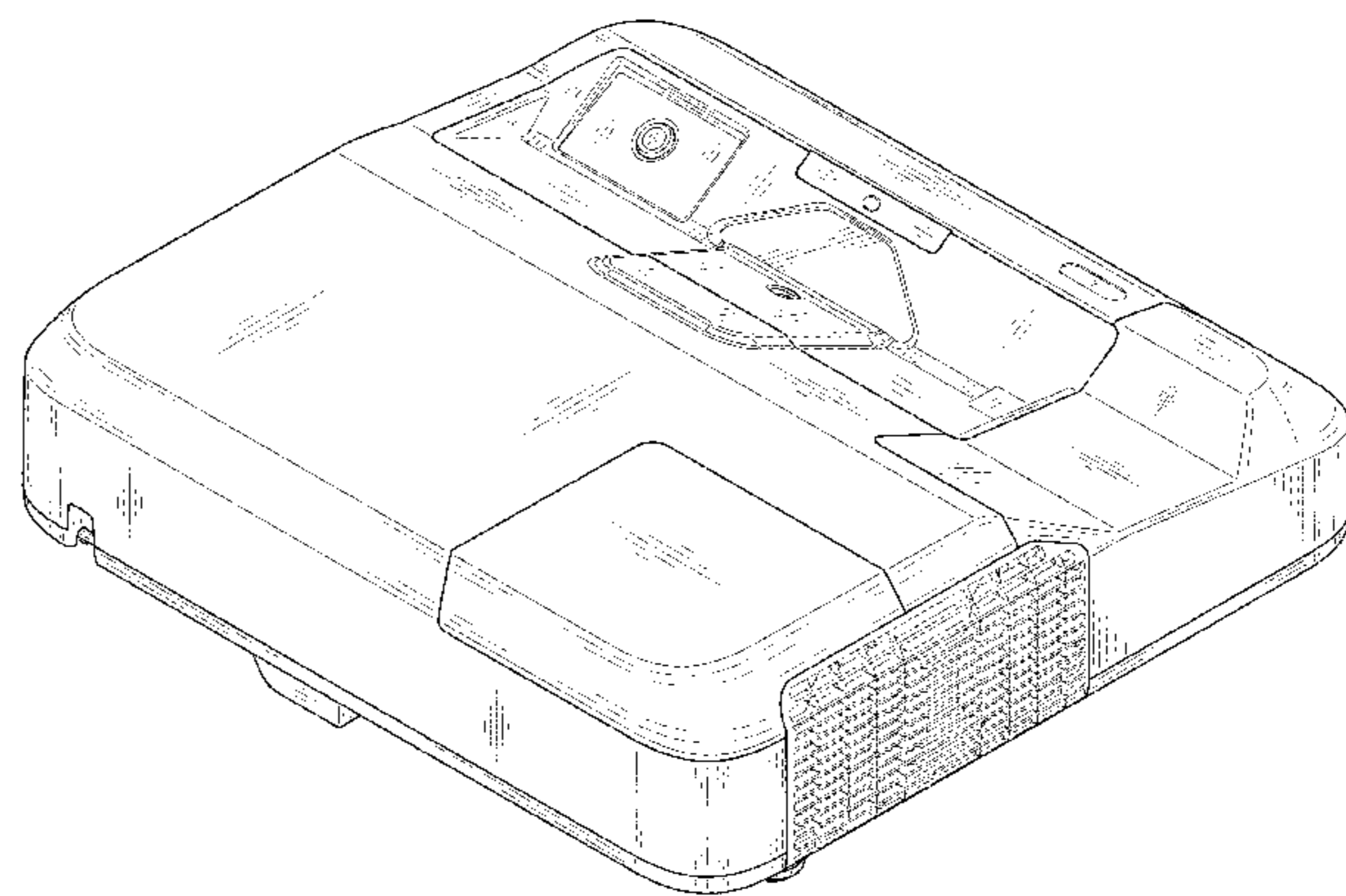
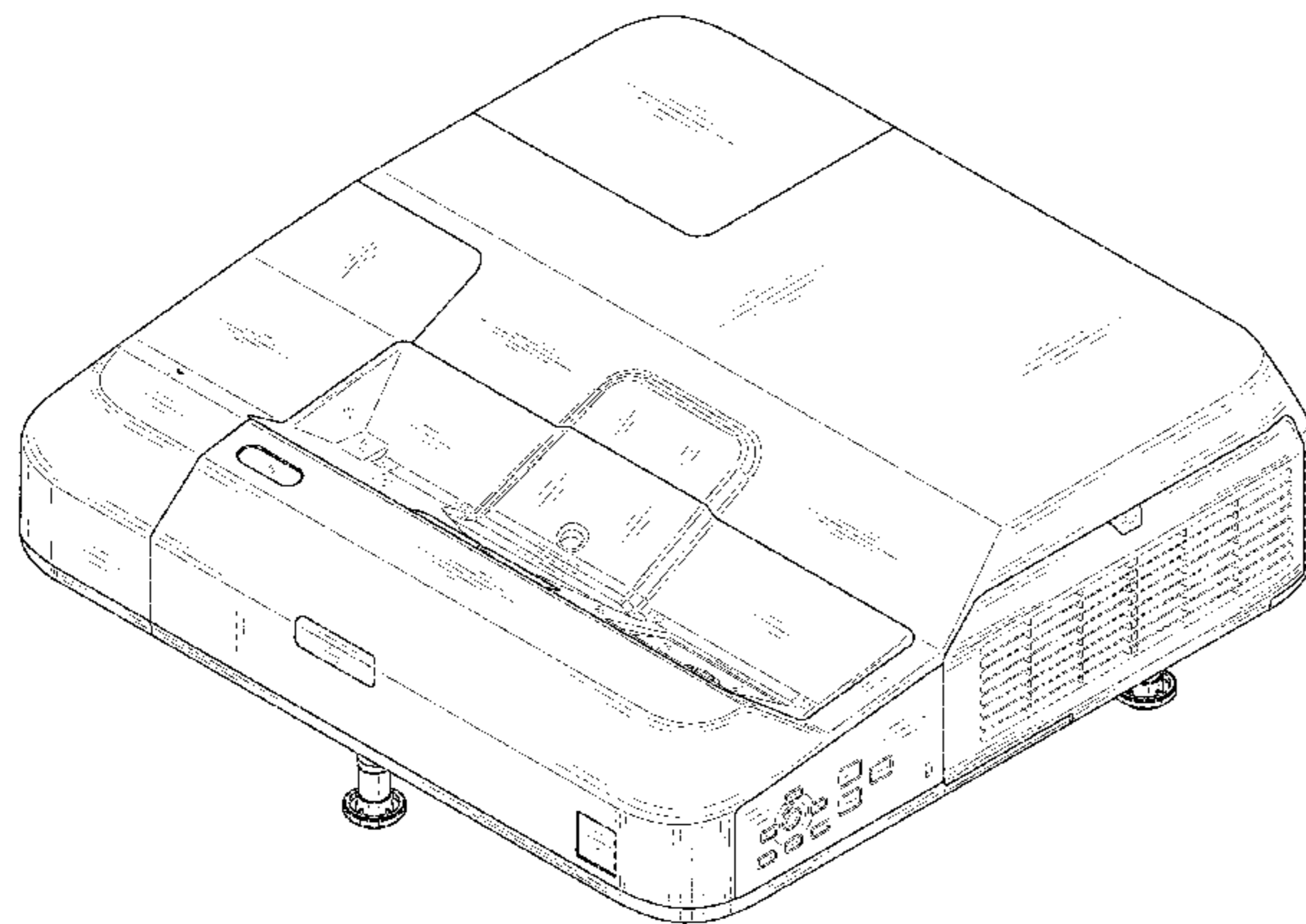
The ornamental design for a projector, as shown and described.

**DESCRIPTION**

FIG. 1 is a front, top, and right side perspective view of a projector showing our new design; FIG. 2 is a rear, top, and left side perspective view thereof; FIG. 3 is a front view thereof; FIG. 4 is a rear view thereof; FIG. 5 is a top plan view thereof; FIG. 6 is a bottom plan view thereof; FIG. 7 is a right side view thereof; and, FIG. 8 is a left side view thereof.

The features shown in broken lines in the drawings depict portions of the article that form no part of the claimed design.

**1 Claim, 8 Drawing Sheets**



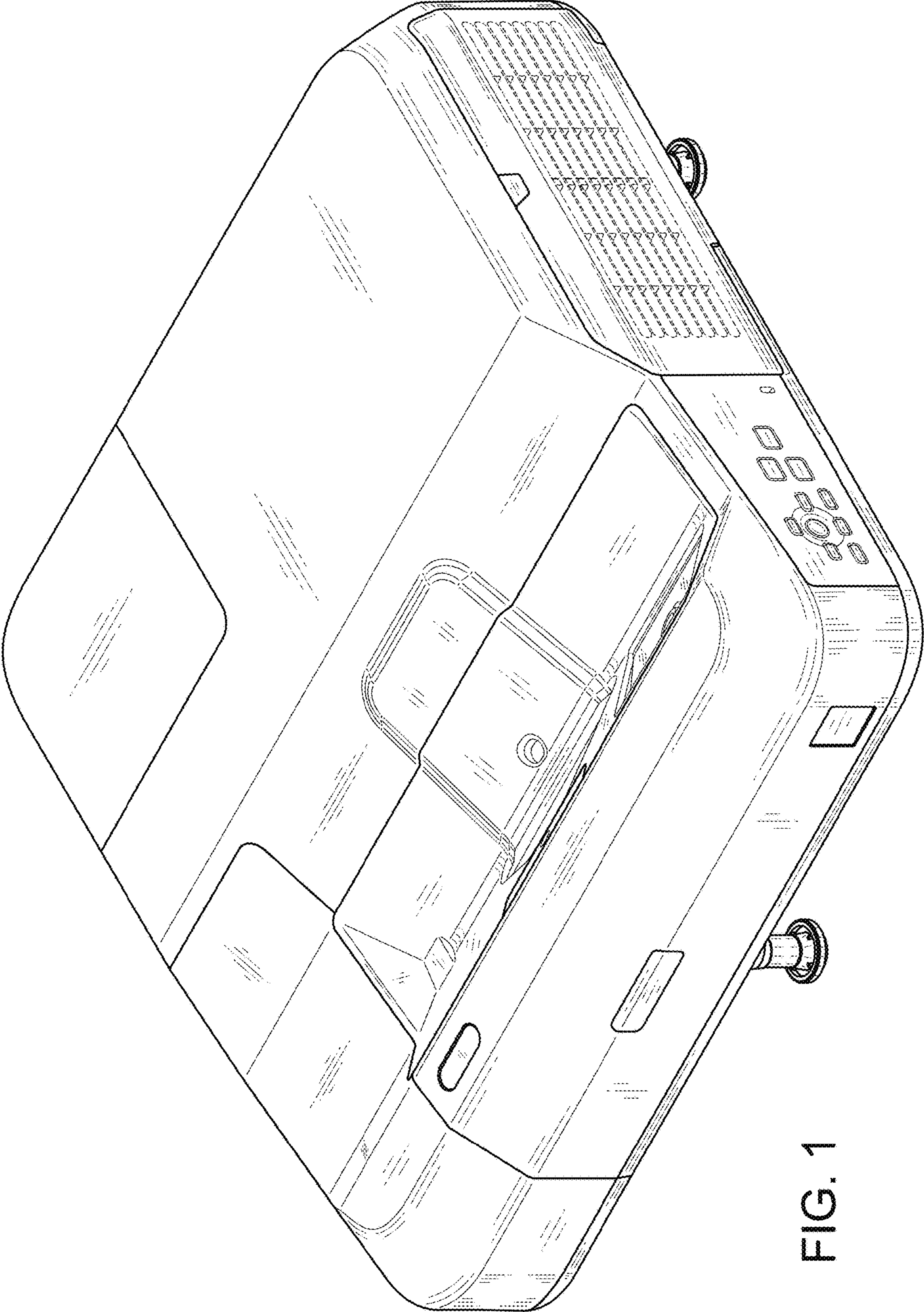


FIG. 1

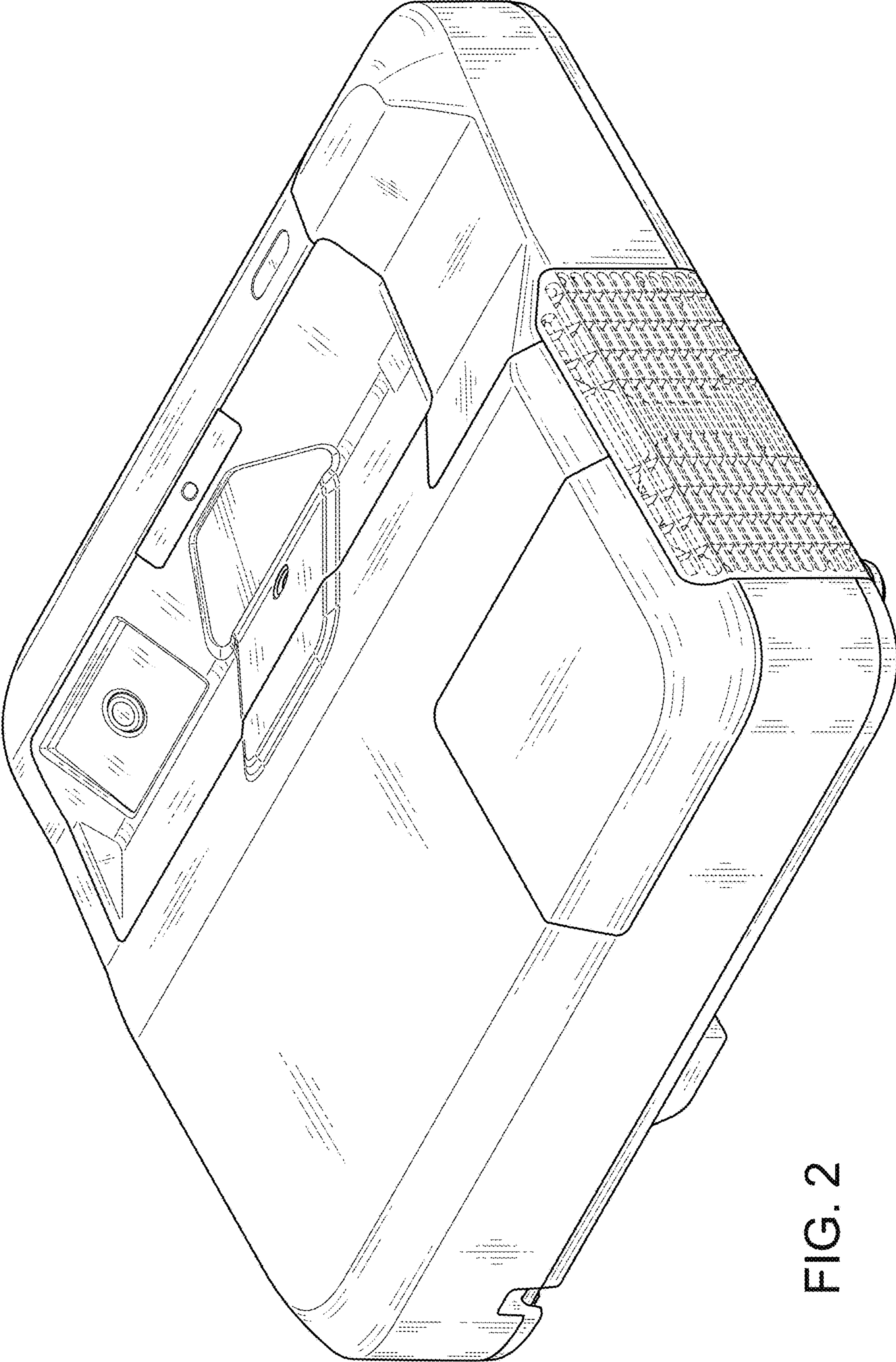


FIG. 2

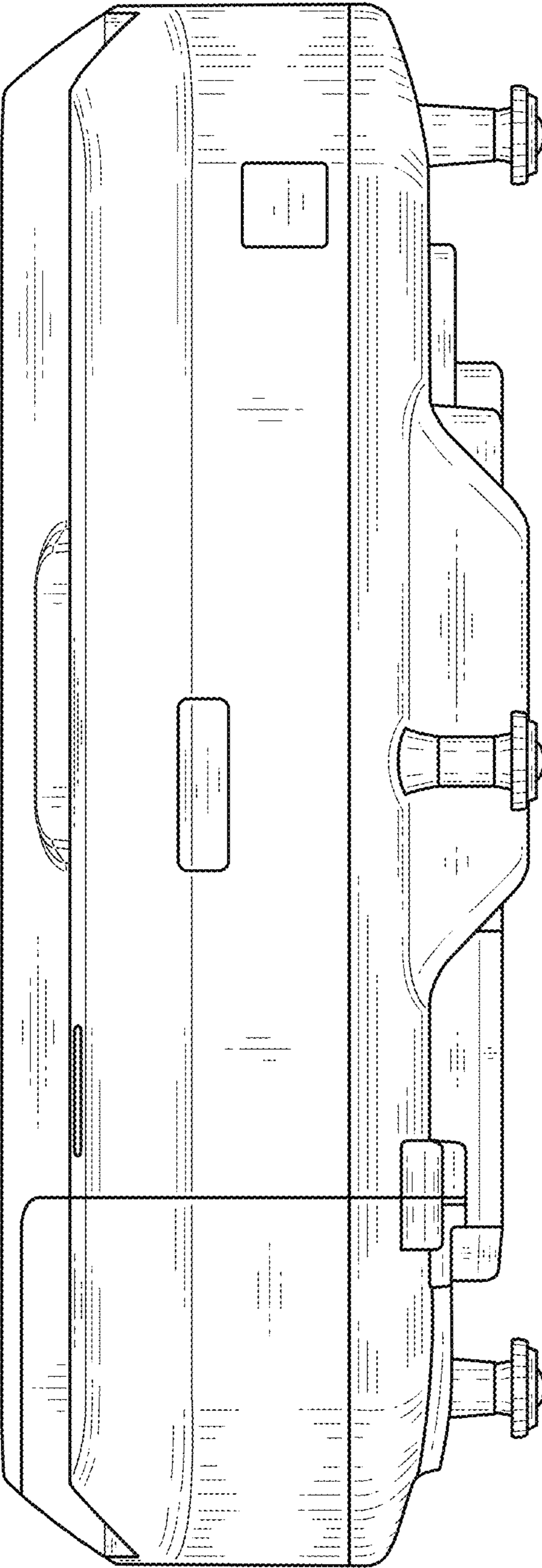


FIG. 3

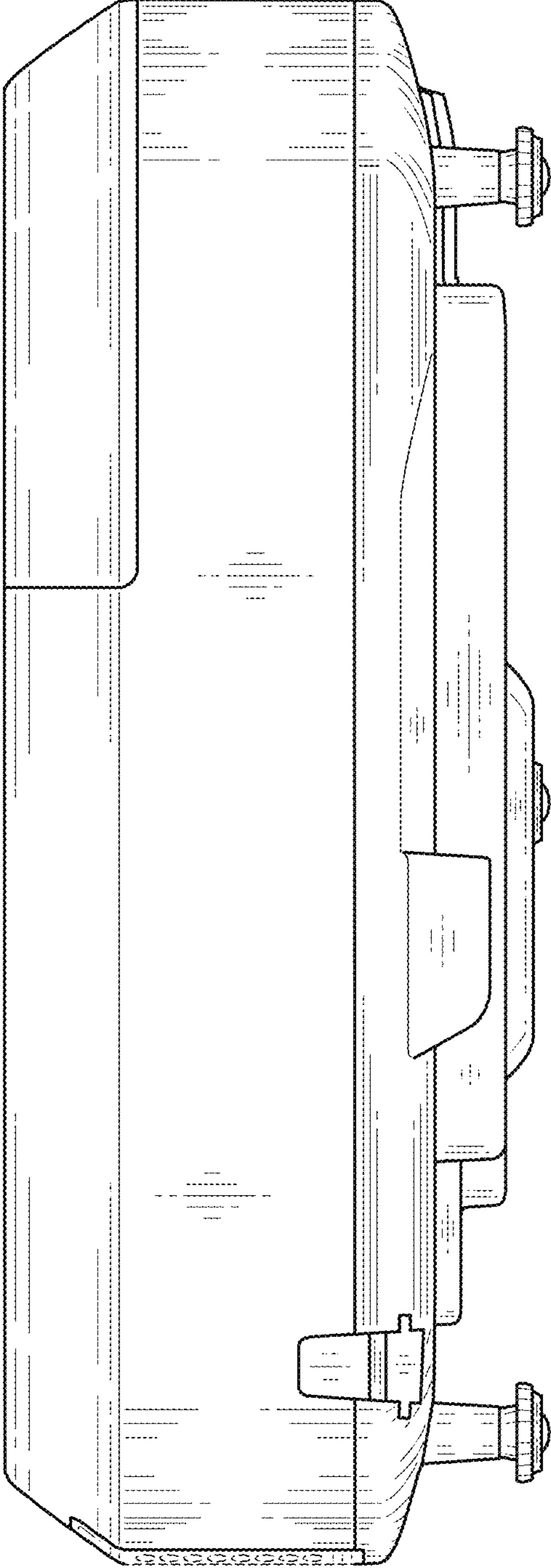


FIG. 4

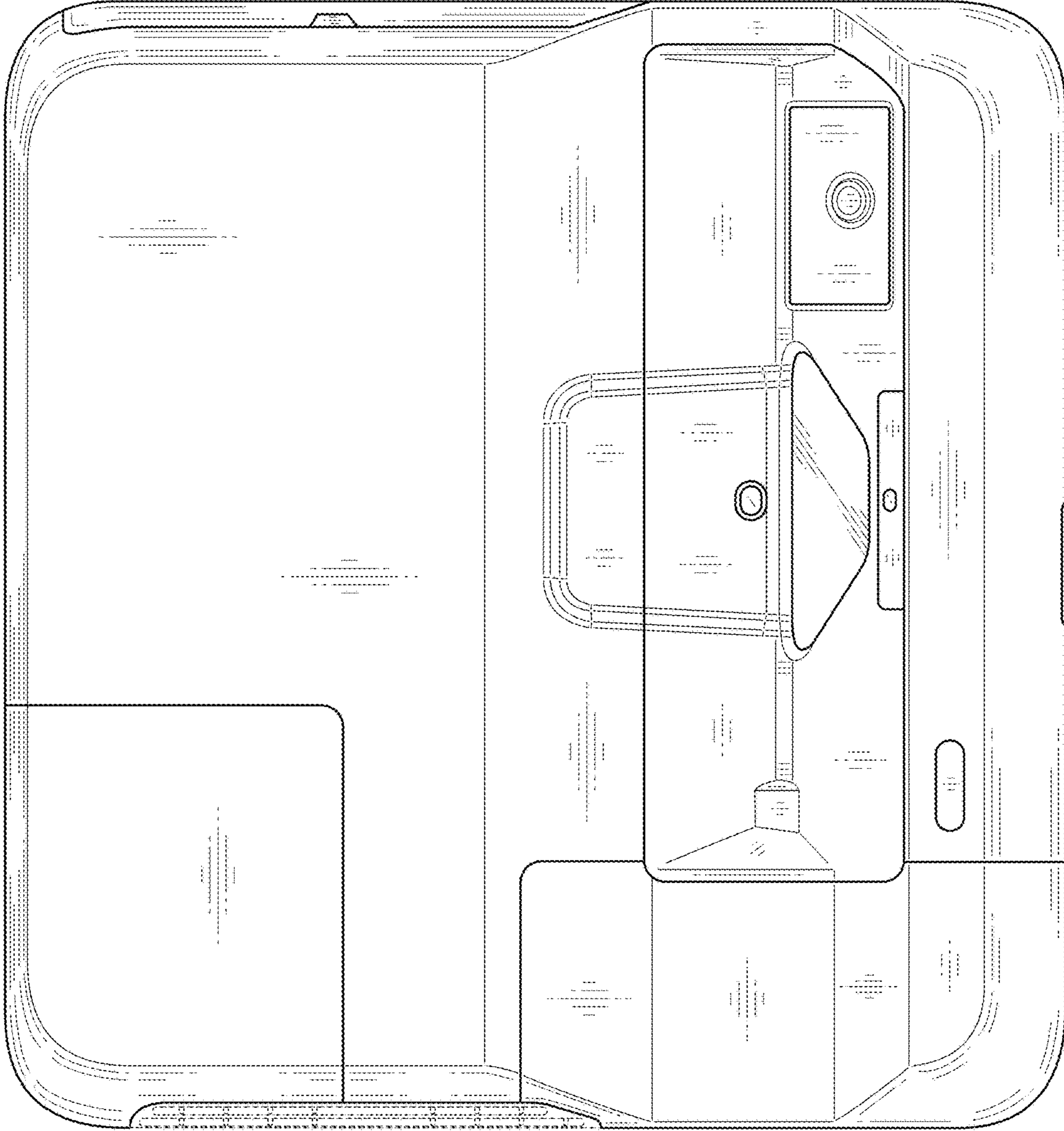


FIG. 5

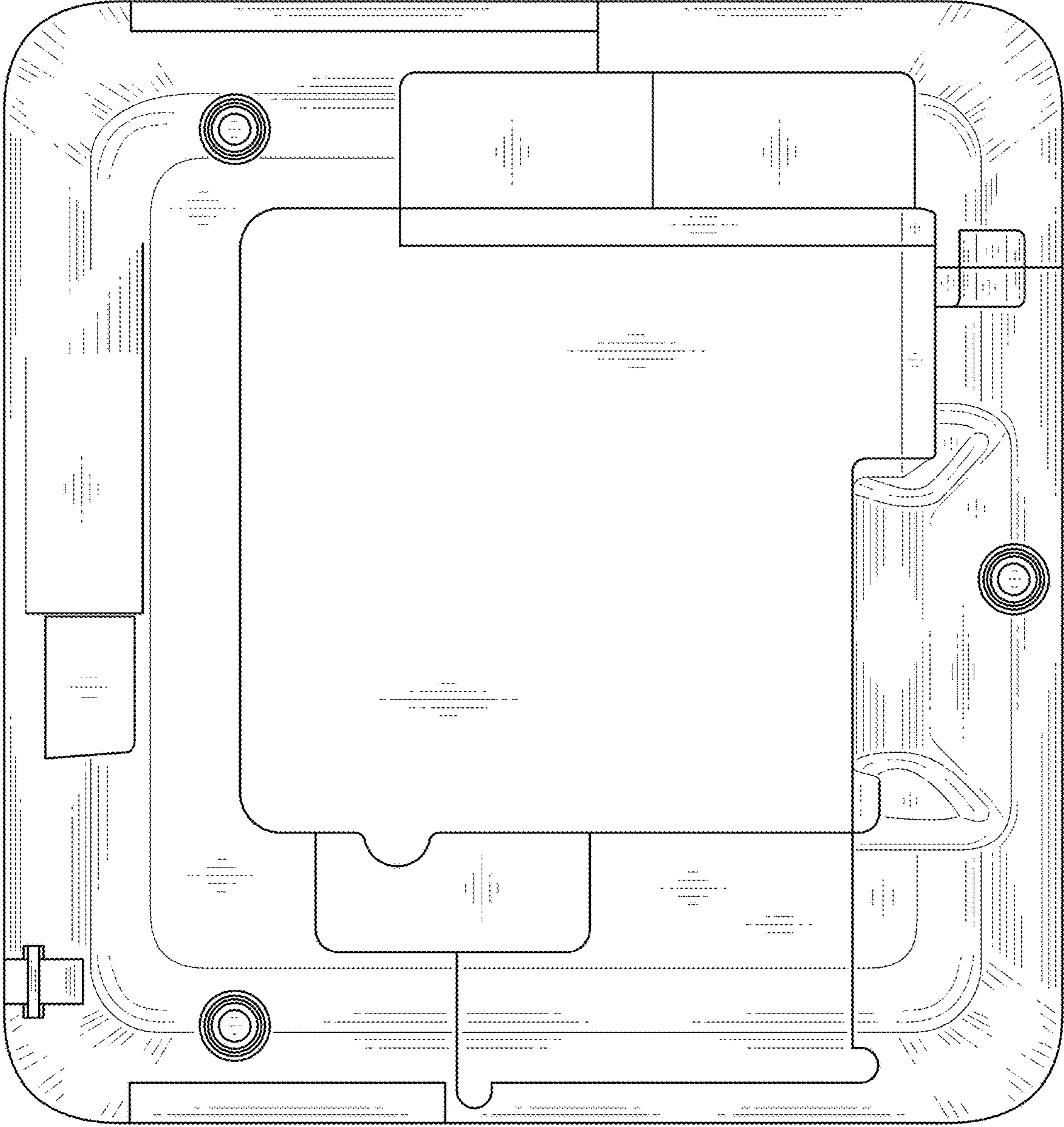


FIG. 6

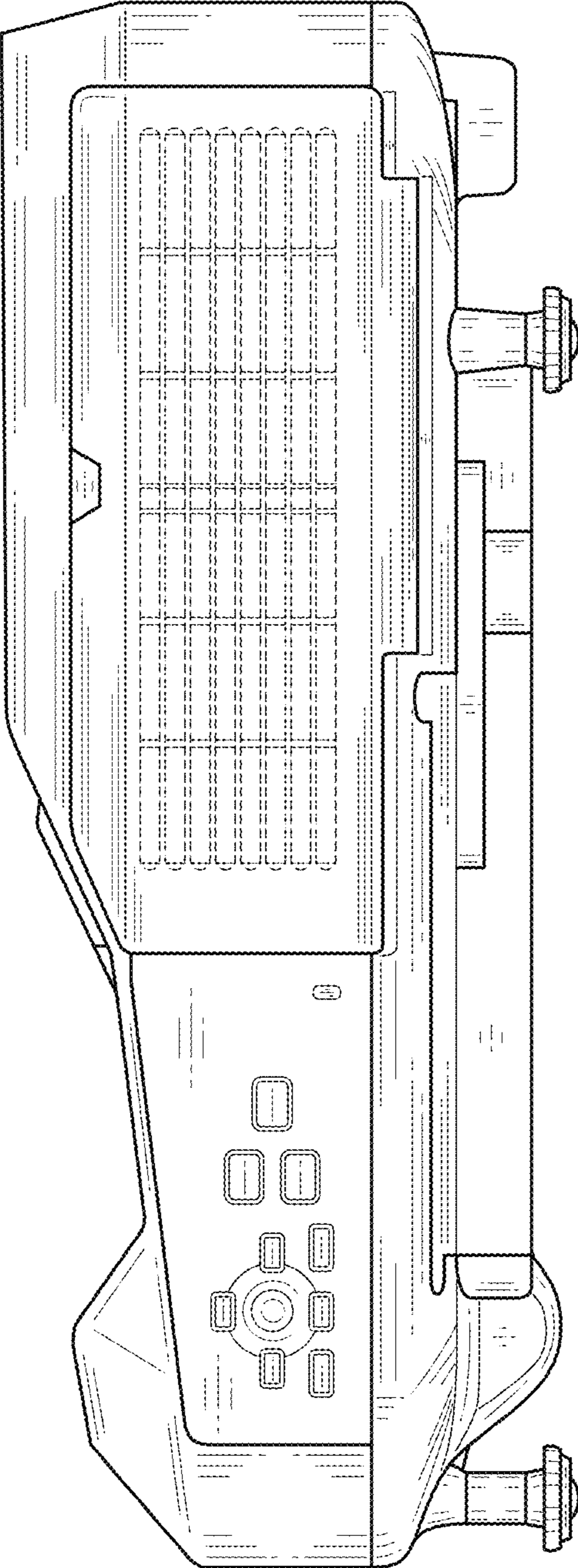


FIG. 7



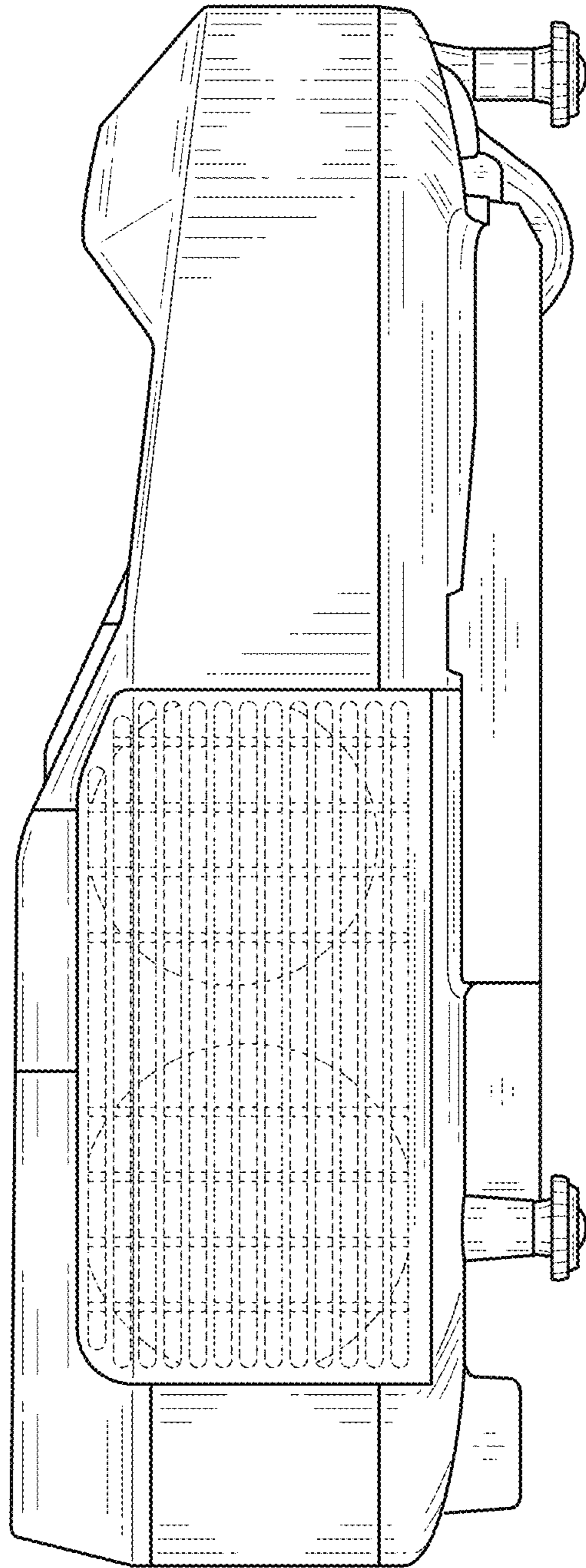


FIG. 8