



US00D801411S

(12) **United States Design Patent** (10) **Patent No.:** **US D801,411 S**  
**Lee et al.** (45) **Date of Patent:** **\*\* Oct. 31, 2017**

(54) **PROJECTOR**

(71) Applicant: **LG ELECTRONICS INC.**, Seoul (KR)

(72) Inventors: **Eunbong Lee**, Seoul (KR); **Dami Jeon**, Seoul (KR); **Byungmu Huh**, Seoul (KR)

(73) Assignee: **LG ELECTRONICS INC.**, Seoul (KR)

(\*\*) Term: **15 Years**

(21) Appl. No.: **29/566,640**

(22) Filed: **Jun. 1, 2016**

(30) **Foreign Application Priority Data**

Dec. 2, 2015 (KR) ..... 30-2015-0061328

(51) **LOC (10) Cl.** ..... **16-02**

(52) **U.S. Cl.**  
USPC ..... **D16/230**

(58) **Field of Classification Search**  
USPC ..... D16/221, 225, 230-231, 234; D21/514  
CPC .... G03B 21/00; G03B 21/001; G03B 21/003;  
G03B 21/14; G03B 21/142; G03B 21/145; G03B 21/12; G03B 21/16  
See application file for complete search history.

(56) **References Cited**

**U.S. PATENT DOCUMENTS**

D623,678 S \* 9/2010 Nakayama ..... D16/225  
D647,941 S \* 11/2011 Yuyama ..... D16/230  
D663,760 S \* 7/2012 Miyachi ..... D16/230  
D681,091 S \* 4/2013 Morita ..... D16/225  
8,454,174 B2 \* 6/2013 Nakano ..... G03B 21/14  
248/176.1

D691,649 S \* 10/2013 Takeda ..... D16/225  
8,915,598 B2 \* 12/2014 Koyama ..... G03B 21/145  
353/119  
D744,576 S \* 12/2015 Masuda ..... D16/225  
2011/0279787 A1 \* 11/2011 Yoshimura ..... G03B 21/16  
353/57  
2013/0128240 A1 \* 5/2013 Yoshida ..... G03B 21/14  
353/85

**FOREIGN PATENT DOCUMENTS**

CN 302484069 \* 2/2013

**OTHER PUBLICATIONS**

Ultra Short Throw LED Home Theater Projector. [on line]. [Retrieved on May 18, 2017]. Retrieved from the Internet: <www.google.com/images>.\*

\* cited by examiner

*Primary Examiner* — Wan Laymon

(74) *Attorney, Agent, or Firm* — Birch, Stewart, Kolasch & Birch, LLP

(57) **CLAIM**

The ornamental design for a projector, as shown and described.

**DESCRIPTION**

FIG. 1 is a front, right side, perspective view of a projector showing our new design;  
FIG. 2 is a front view thereof;  
FIG. 3 is a rear view thereof;  
FIG. 4 is a left side view thereof;  
FIG. 5 is a right side view thereof;  
FIG. 6 is a top view thereof; and,  
FIG. 7 is a bottom view.

The broken lines indicate unclaimed portion of the article that form no part of the claimed design.

**1 Claim, 4 Drawing Sheets**

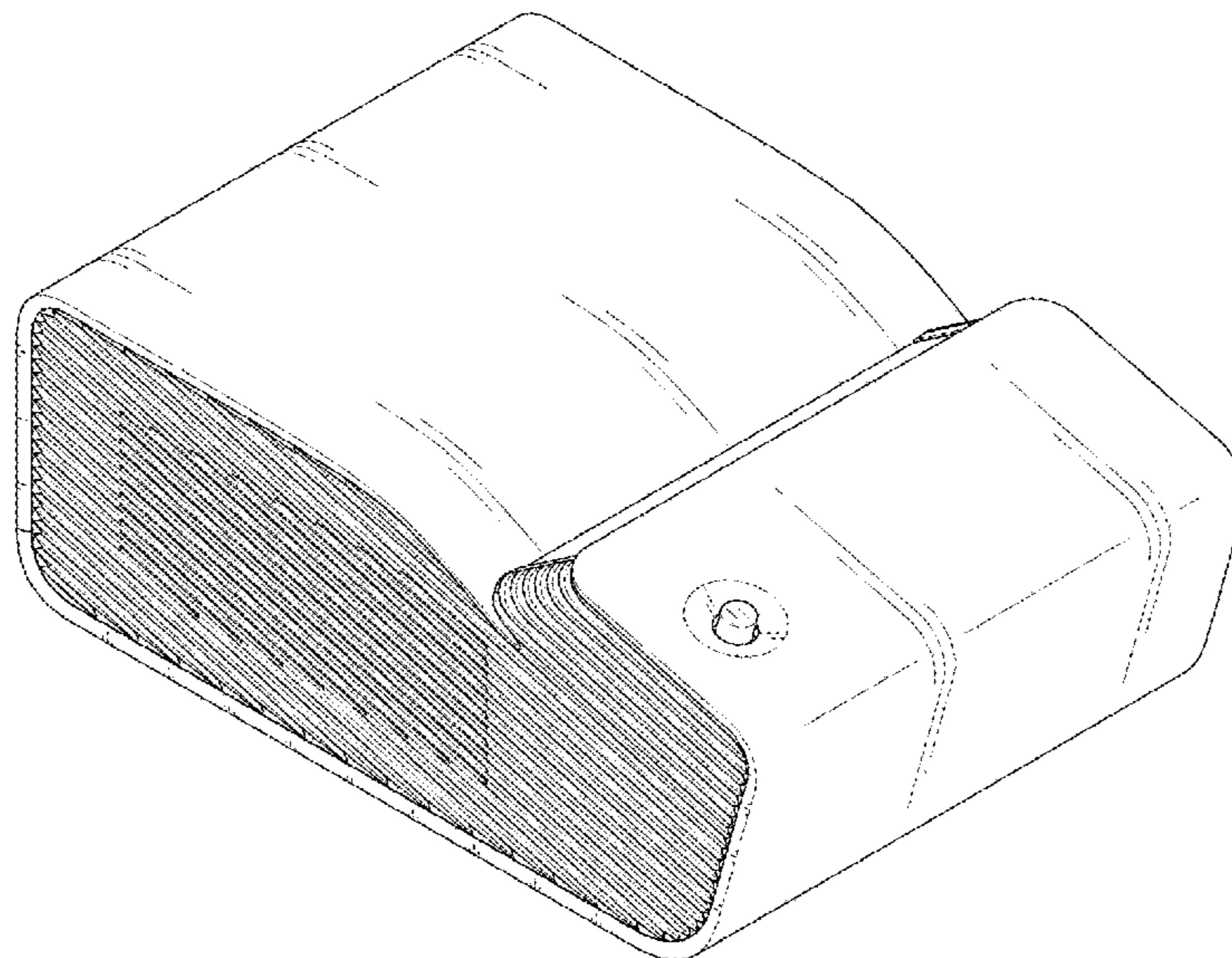


FIG.1

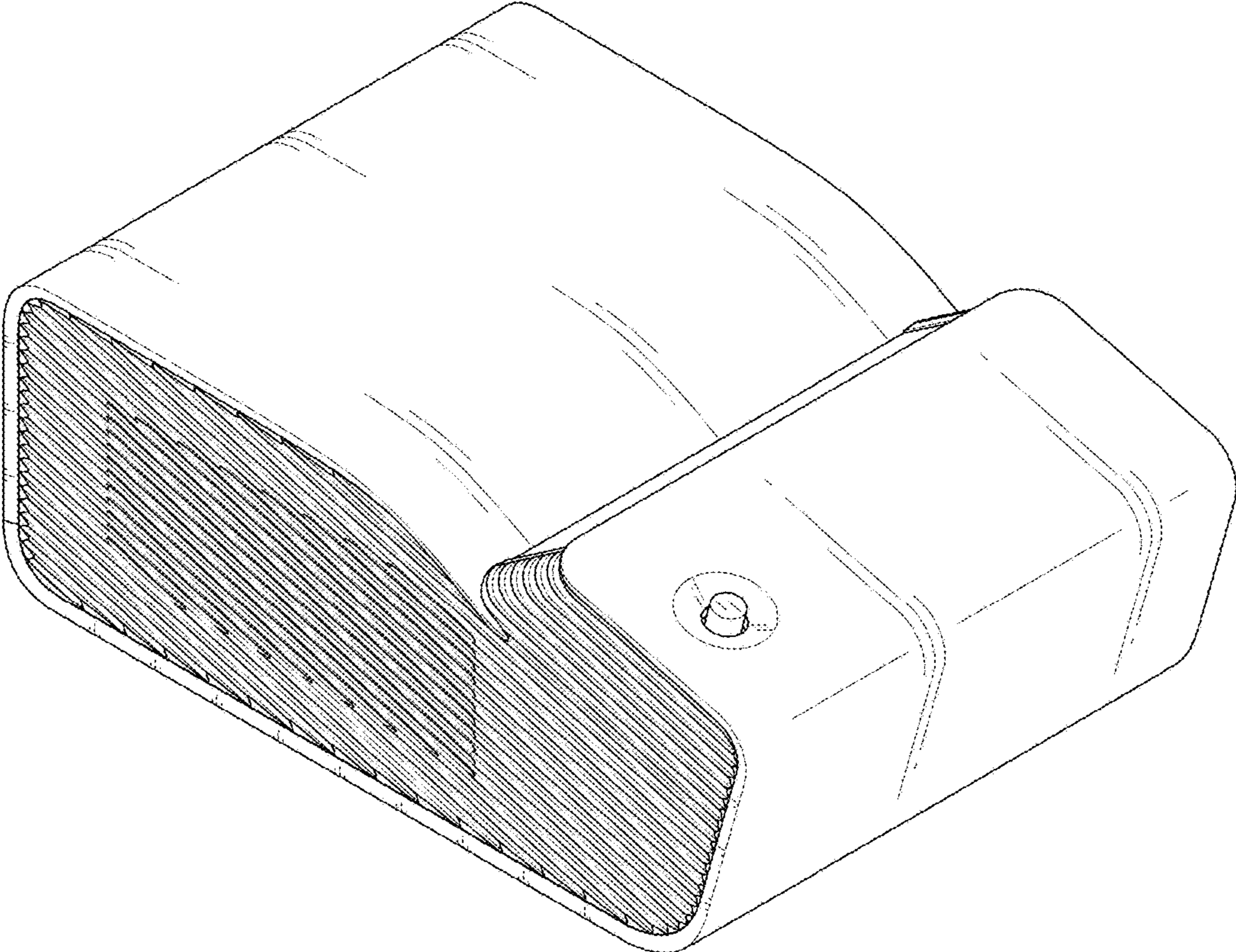


FIG.2

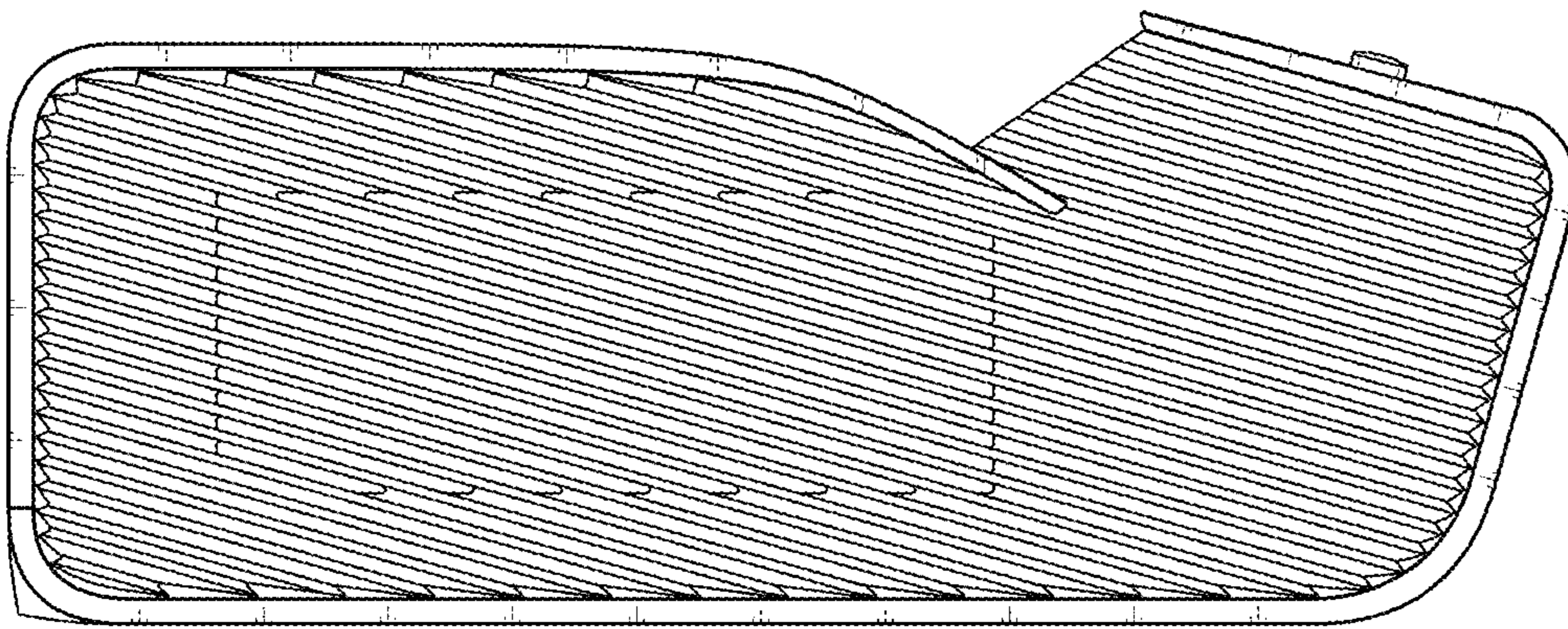


FIG.3

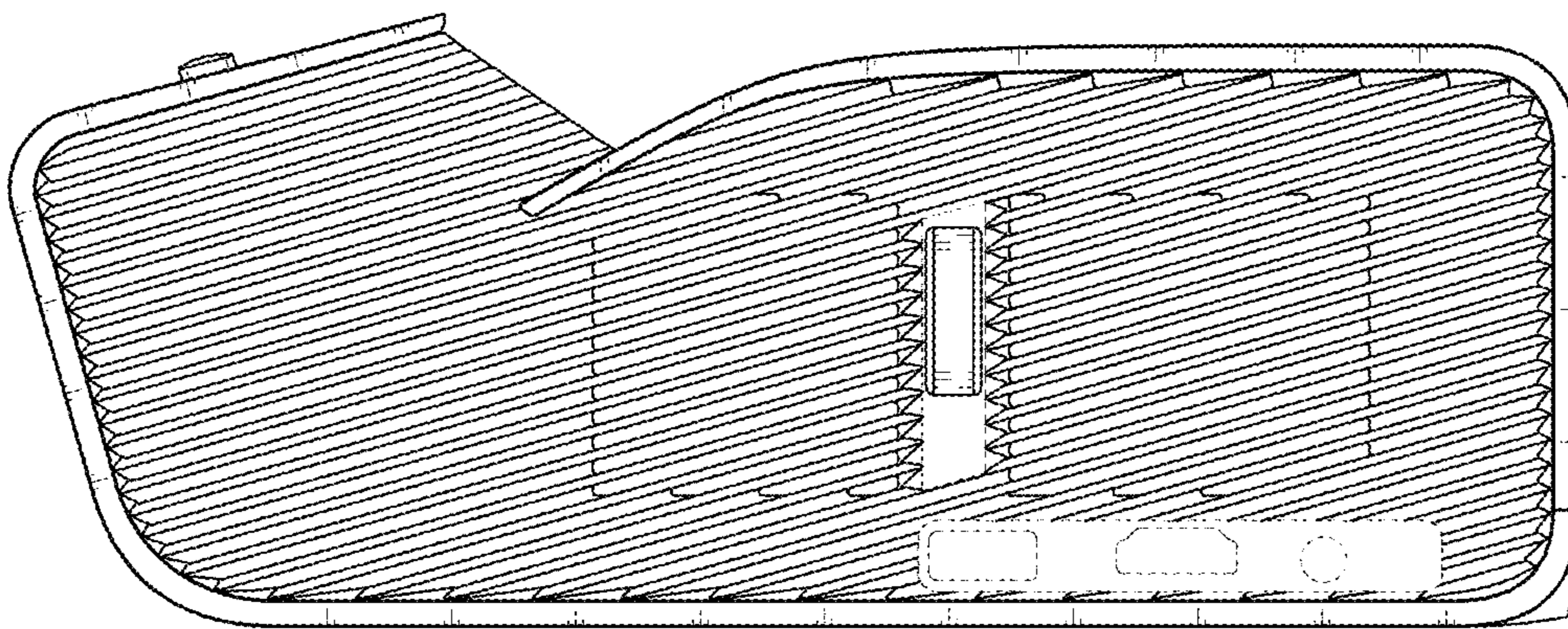


FIG.4

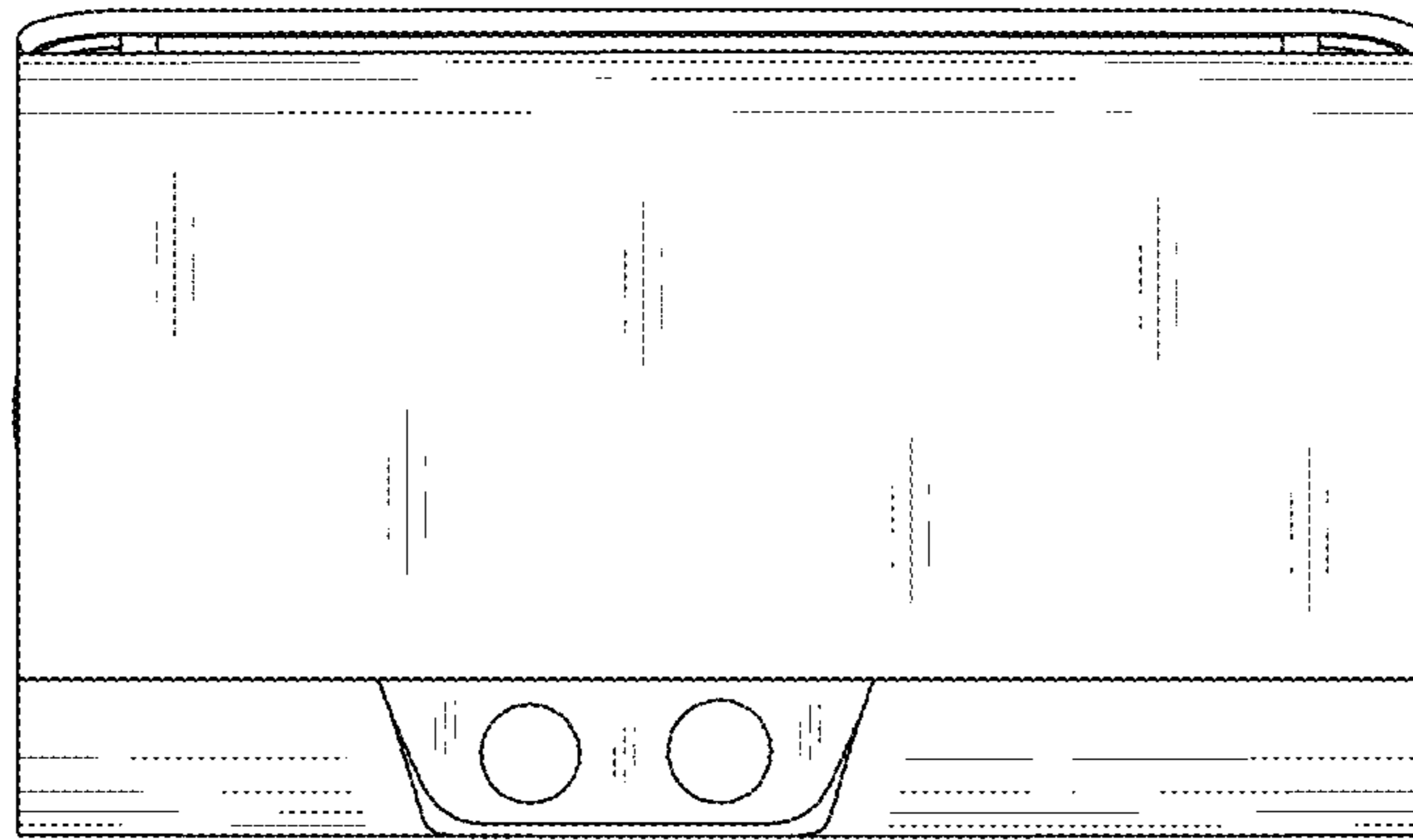


FIG.5

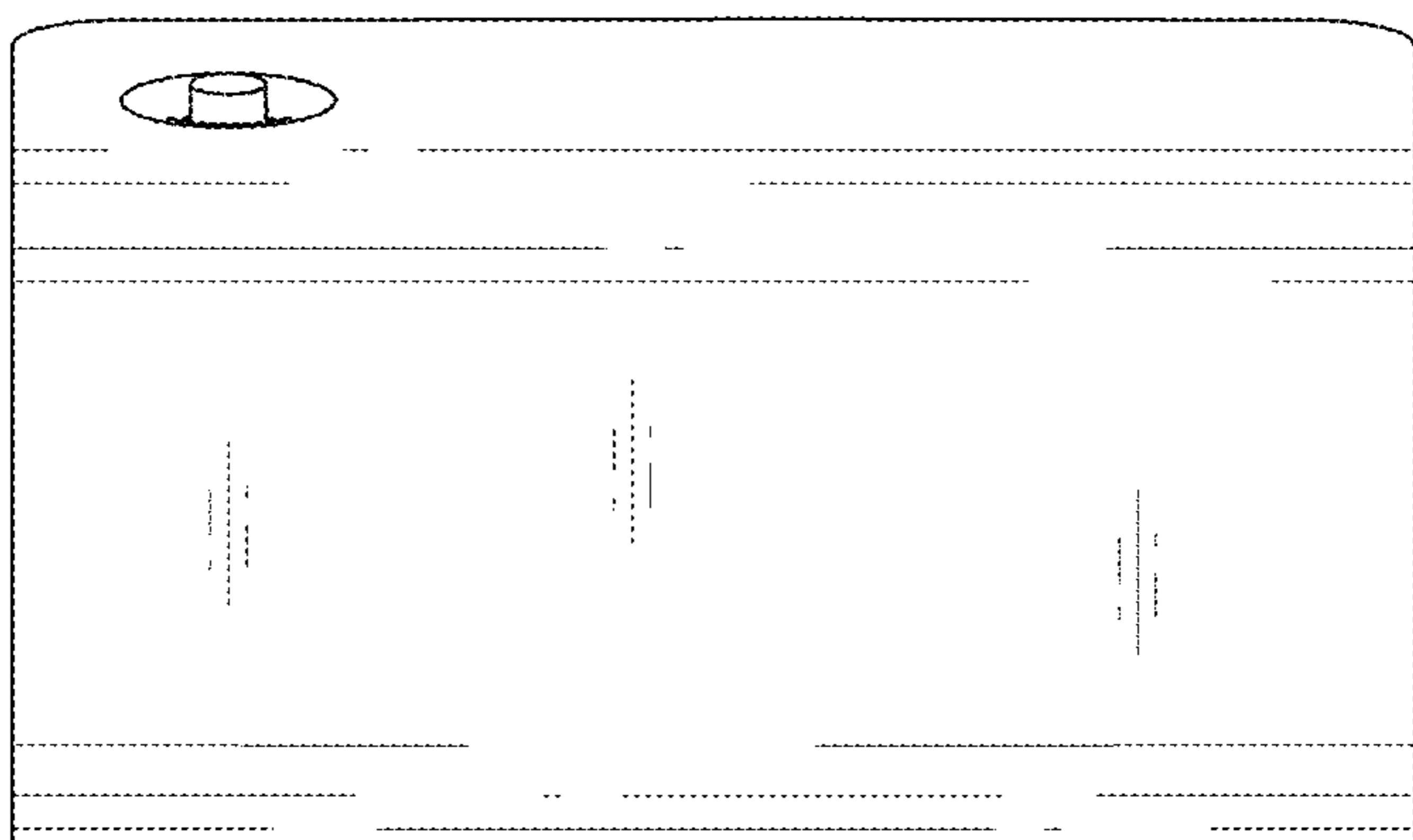


FIG.6

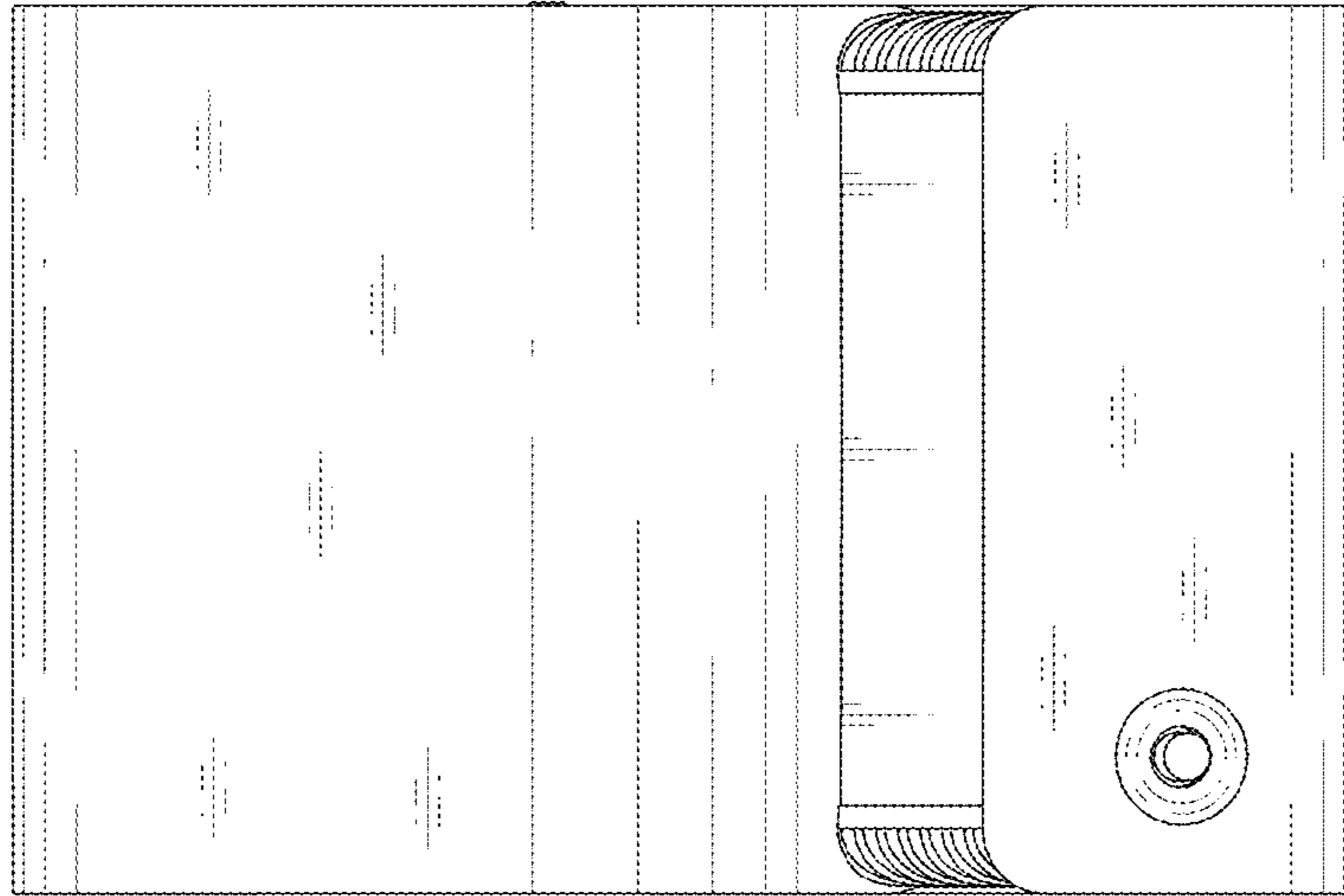


FIG.7

