



US00D801410S

(12) **United States Design Patent**
Kim et al.

(10) **Patent No.:** **US D801,410 S**

(45) **Date of Patent:** **** Oct. 31, 2017**

(54) **CONTROLLER FOR SURVEILLANCE
CAMERA**

13/1963; G08B 13/19632; F16M 11/04;
F16M 13/00; Y02E 60/12; G02B 5/00
See application file for complete search history.

(71) Applicant: **LG ELECTRONICS INC.**, Seoul
(KR)

(56) **References Cited**

(72) Inventors: **Kyungmin Kim**, Seoul (KR); **Hwayun
Choi**, Seoul (KR); **Gangho Woo**, Seoul
(KR)

U.S. PATENT DOCUMENTS

(73) Assignee: **LG ELECTRONICS INC.**, Seoul
(KR)

D44,937 S * 11/1913 Robbins D11/90
1,249,097 A * 12/1917 Huye B65D 5/36
229/109
D68,215 S * 9/1925 McLean 229/116.1
2,319,974 A * 5/1943 Buttery B65D 5/02
229/109

(**) Term: **15 Years**

(Continued)

(21) Appl. No.: **29/565,941**

FOREIGN PATENT DOCUMENTS

(22) Filed: **May 25, 2016**

EM 001451025-0001 * 7/2016

(30) **Foreign Application Priority Data**

Nov. 26, 2015 (KR) 30-2015-0059661

Primary Examiner — Barbara Fox

Assistant Examiner — Mary C Ramirez

(51) **LOC (10) Cl.** **16-01**

(74) *Attorney, Agent, or Firm* — Birch, Stewart, Kolasch
& Birch, LLP

(52) **U.S. Cl.**

USPC **D16/219**; D14/496; D14/203.3

(57) **CLAIM**

The ornamental design for a controller for surveillance
camera, as shown and described.

(58) **Field of Classification Search**

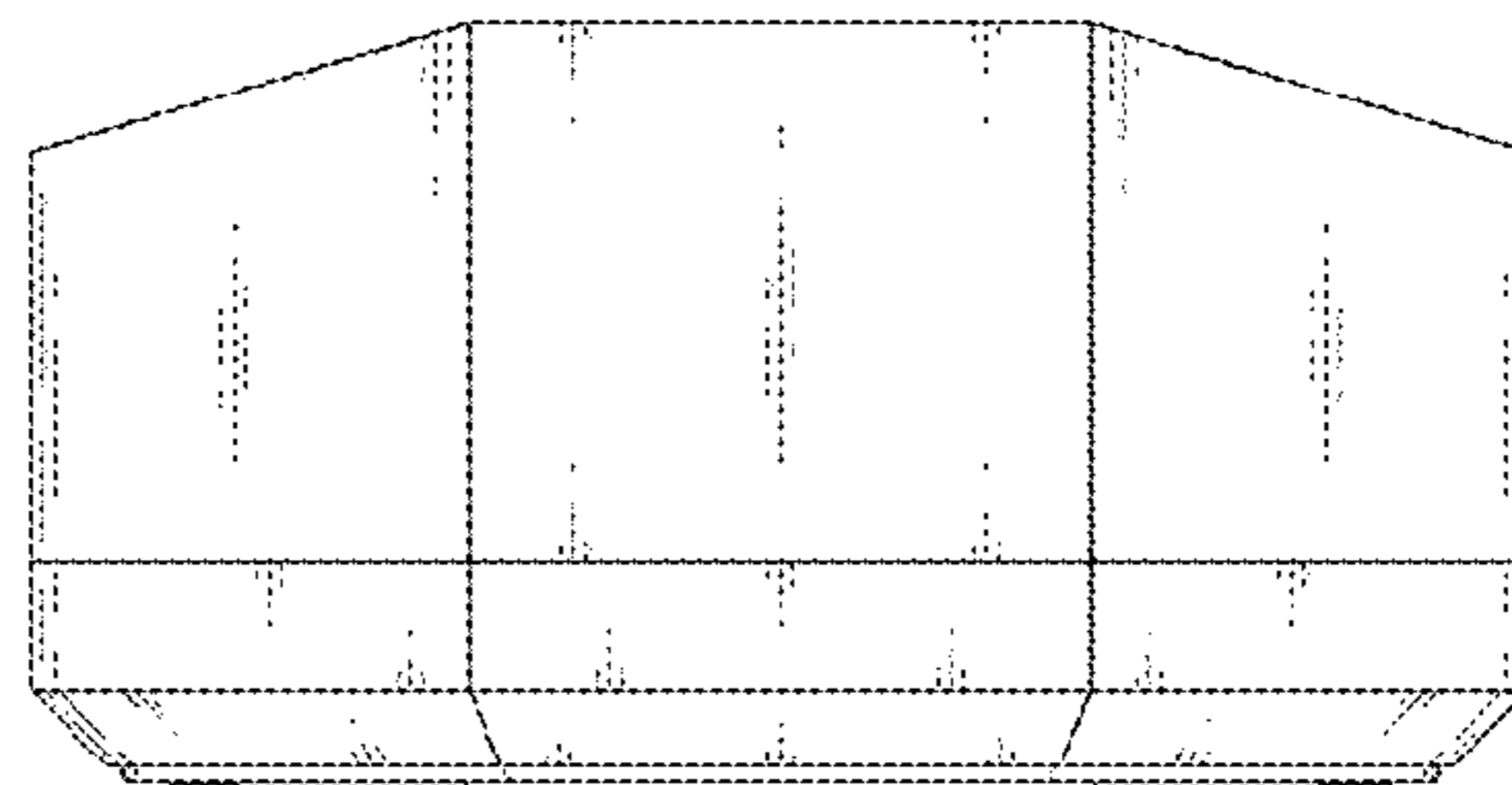
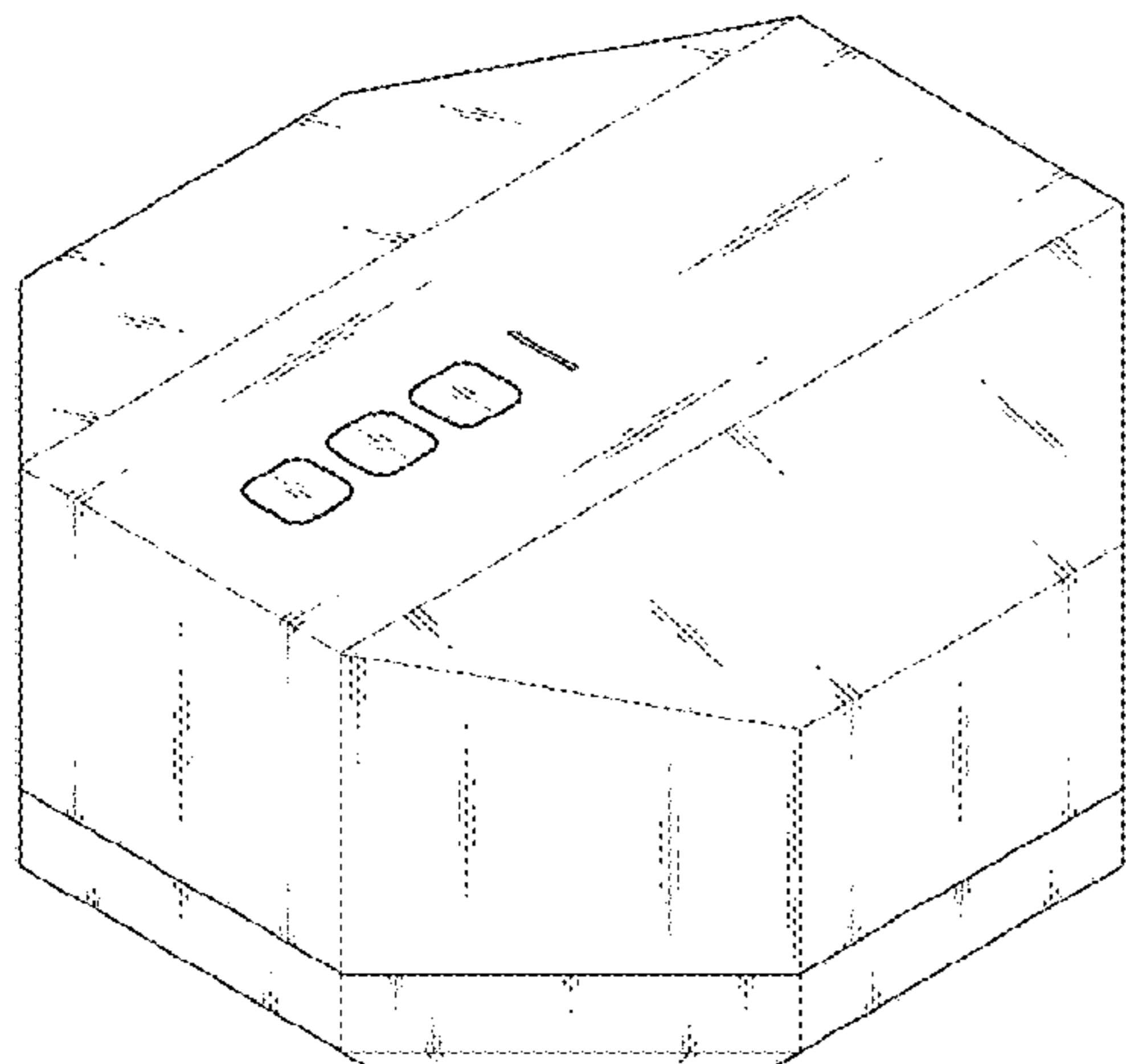
USPC ... D14/307, 218, 130, 144, 140.2, 132, 341,
D14/345, 358, 242, 231, 317, 203.8,
D14/209.1, 212, 421-423; D16/200-220,
D16/229, 230, 242, 244, 245, 238;
D20/21, 38; D23/283, 305; D25/20, 58;
D10/21, 25, 29, 53, 10, 49, 50, 104.1,
D10/106.1; D26/93; D9/430; D6/338
CPC H04N 7/181; H04N 7/183; H04N 7/18;
H04N 3/08; H04N 5/23248; H04N
5/23287; H04N 5/23258; H04N 5/2251;
H04N 5/2252; H04N 2007/145; H04N
7/00; G01C 11/025; G03B 15/00; G03B
15/03; G03B 17/56; G03B 17/02; G03B
17/30; G03B 17/04; G03B 17/00; G03B
19/04; G03B 3/00; B60R 1/00; B60R
2300/105; G08B 13/19619; G08B

DESCRIPTION

FIG. 1 is a front, right side, perspective view of a controller
for surveillance camera showing our new design;
FIG. 2 is a front view thereof;
FIG. 3 is a rear view thereof;
FIG. 4 is a left side view thereof;
FIG. 5 is a right side view thereof;
FIG. 6 is a top view thereof; and,
FIG. 7 is a bottom view thereof.

The broken lines showing of various ports in FIG. 3 is for
the purpose of illustrating portions of the controller for
surveillance camera and form no part of the claimed design.

1 Claim, 3 Drawing Sheets



(56)

References Cited

U.S. PATENT DOCUMENTS

3,535,442 A * 10/1970 Jennings G08B 13/1963
 348/151
 D226,032 S * 1/1973 Sieshultz D16/203
 6,221,415 B1 * 4/2001 Walters B65D 5/029
 426/122
 6,550,645 B2 * 4/2003 Nelson B65D 77/061
 222/105
 D479,546 S * 9/2003 Yoshikawa D16/202
 D490,310 S * 5/2004 Aggenberg D9/430
 D495,247 S * 8/2004 Keberlein D9/418
 D525,532 S * 7/2006 Glass D9/559
 7,258,507 B2 * 8/2007 Kim E01F 9/553
 404/15
 D594,513 S * 6/2009 Wilner D21/563
 D629,149 S * 12/2010 Donegani D26/93
 D678,793 S * 3/2013 Aurongzeb D10/106.6
 8,482,608 B1 * 7/2013 Sandoval H04N 5/2252
 348/143
 D693,675 S * 11/2013 Staller D9/430
 D693,717 S * 11/2013 Aurongzeb D10/104.1
 D734,894 S * 7/2015 Schlatter D28/76
 D737,165 S * 8/2015 Bjorklund D10/113.1
 D747,992 S * 1/2016 Kalinowski D10/114.2
 D748,714 S * 2/2016 Itou D16/229
 D776,740 S * 1/2017 Okawa D16/203
 2016/0097857 A1 * 4/2016 Gokay F41G 3/06
 356/5.01

* cited by examiner

FIG. 1

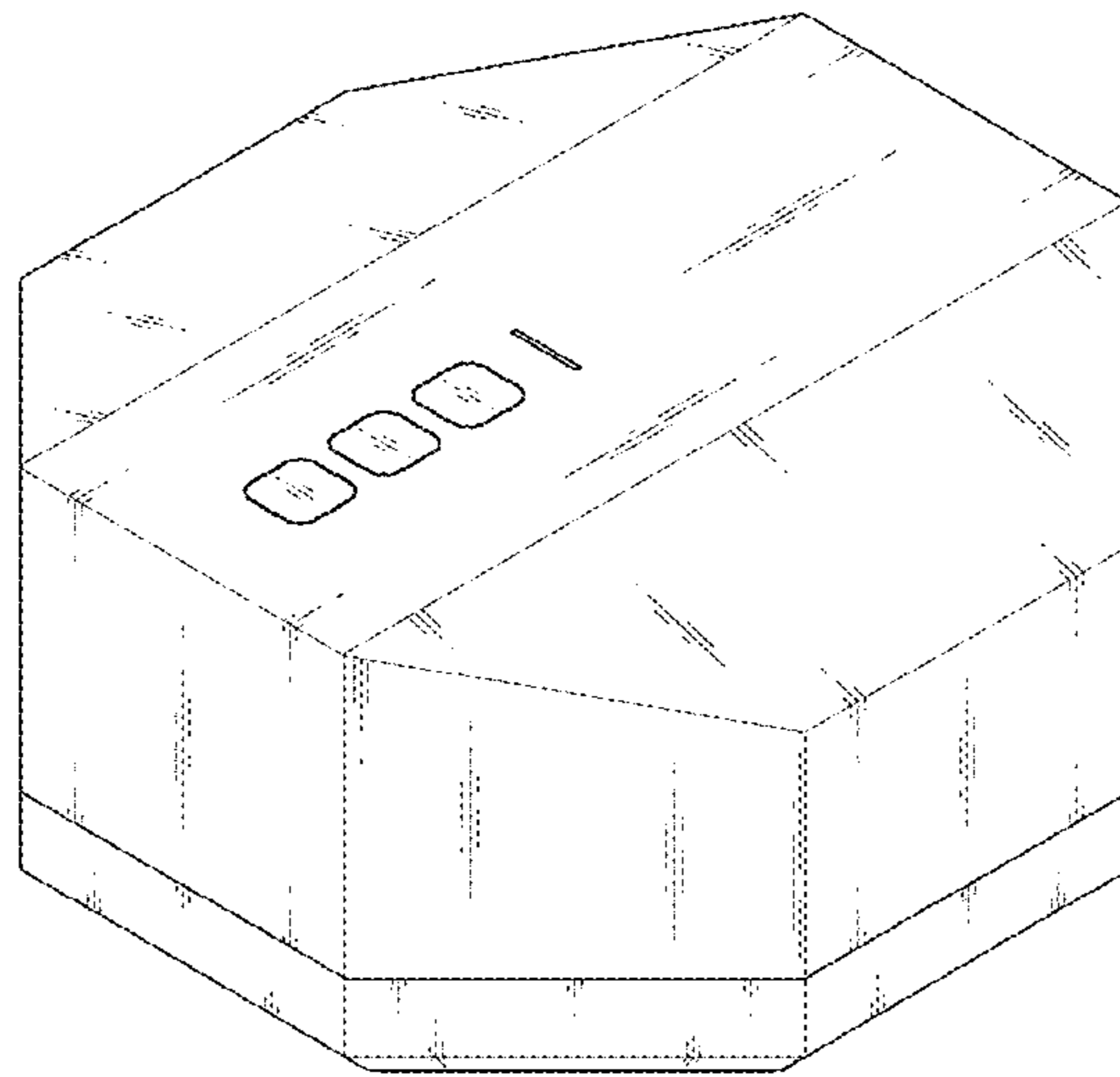


FIG. 2

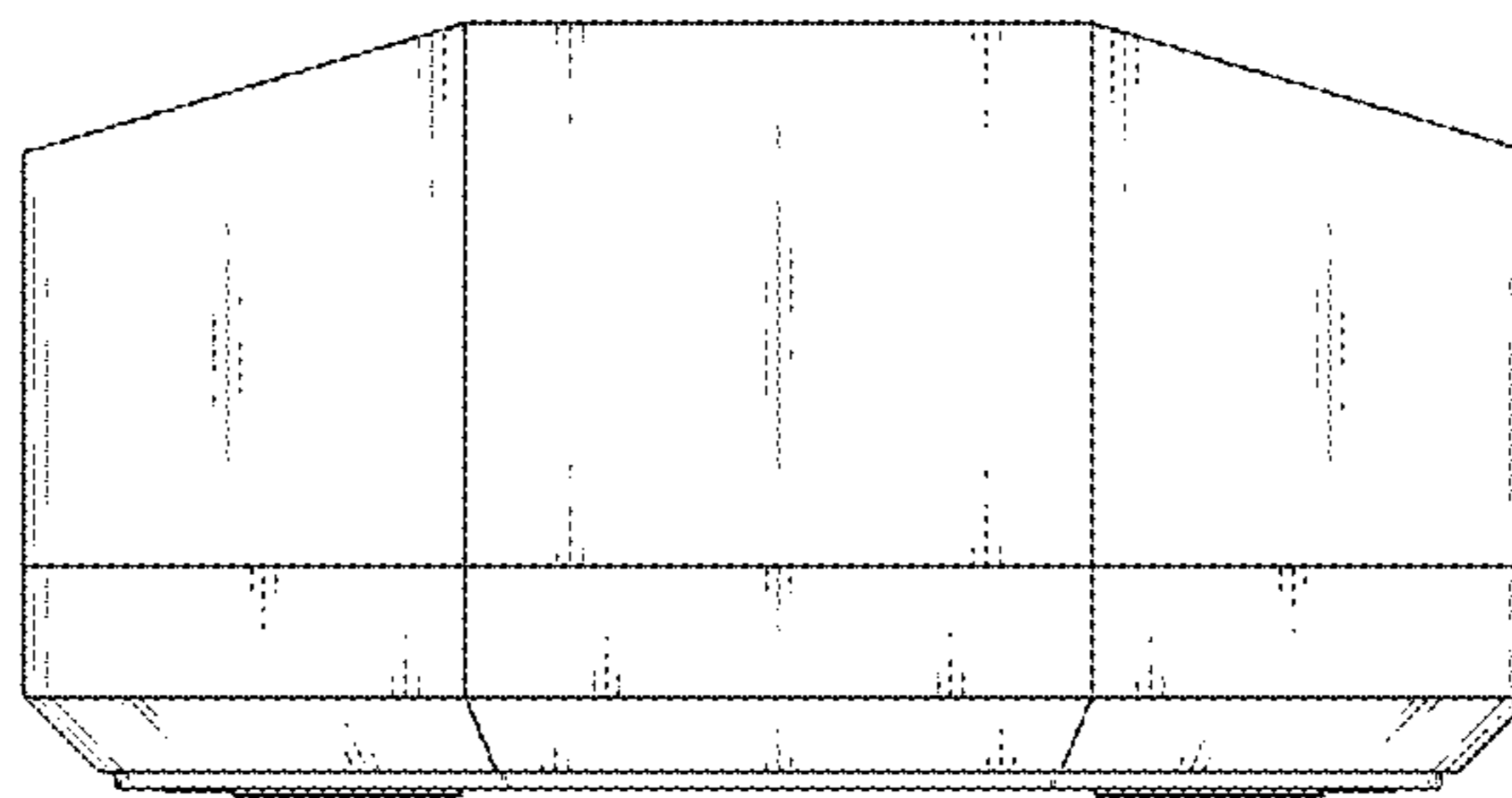


FIG. 3

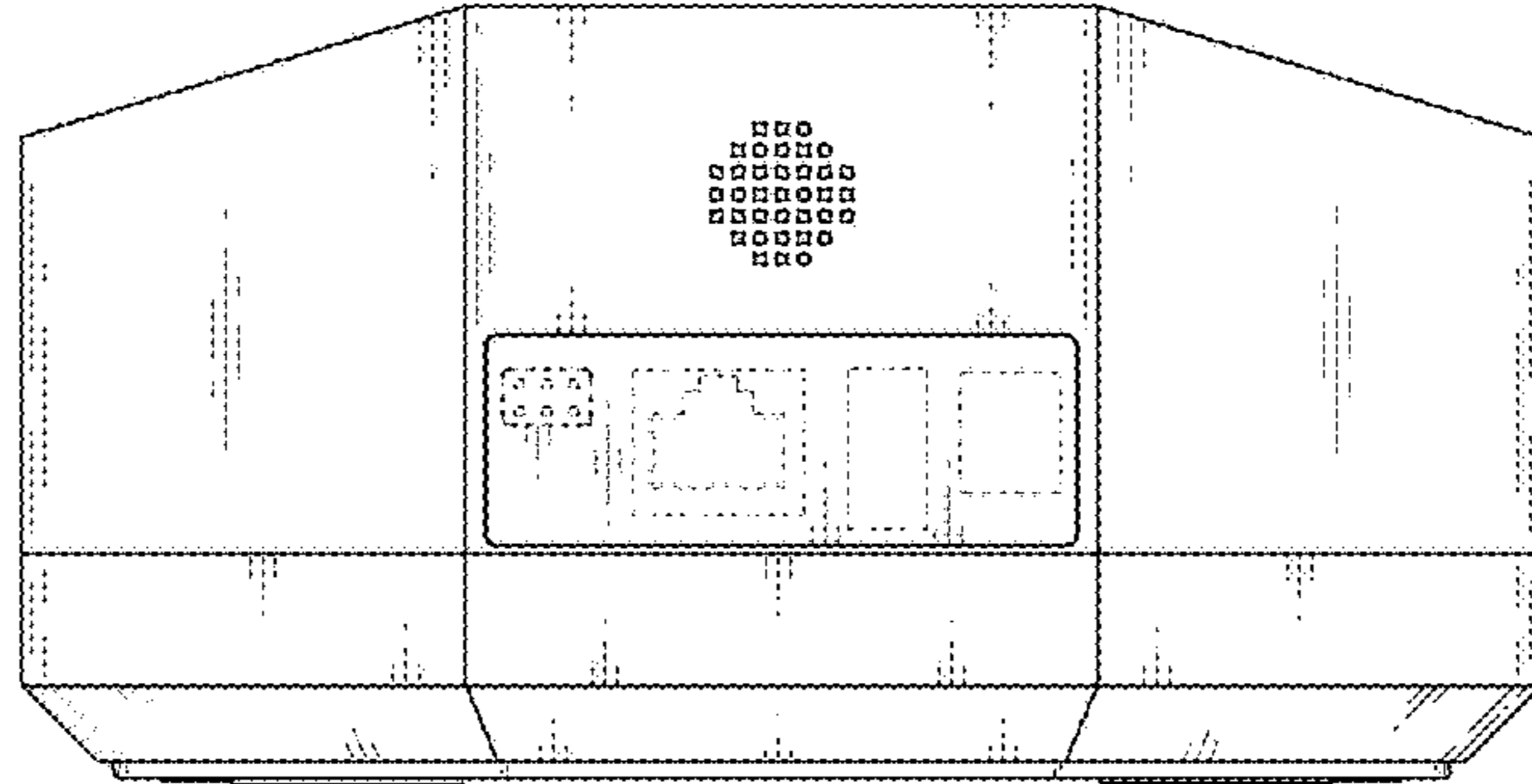


FIG. 4

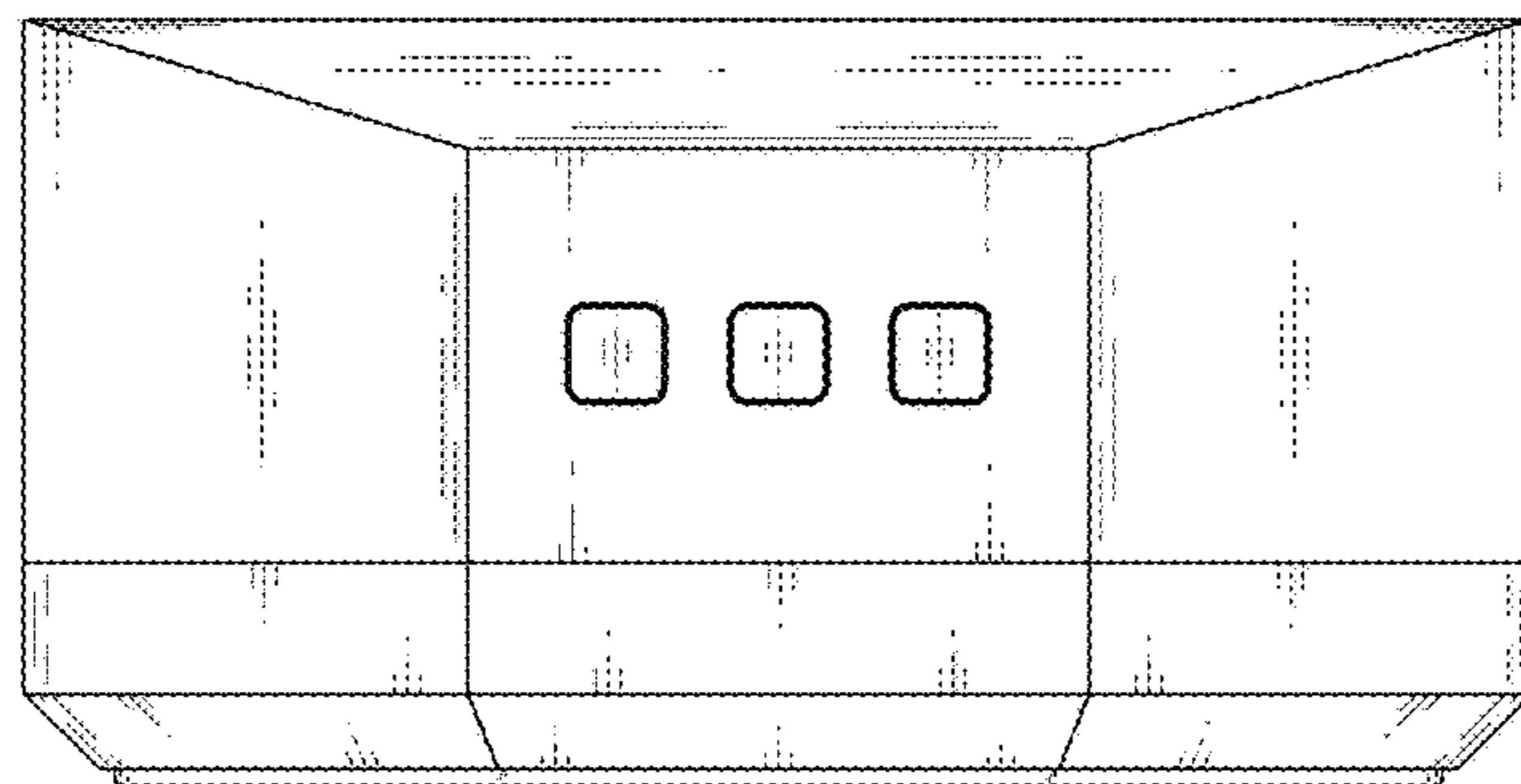


FIG. 5

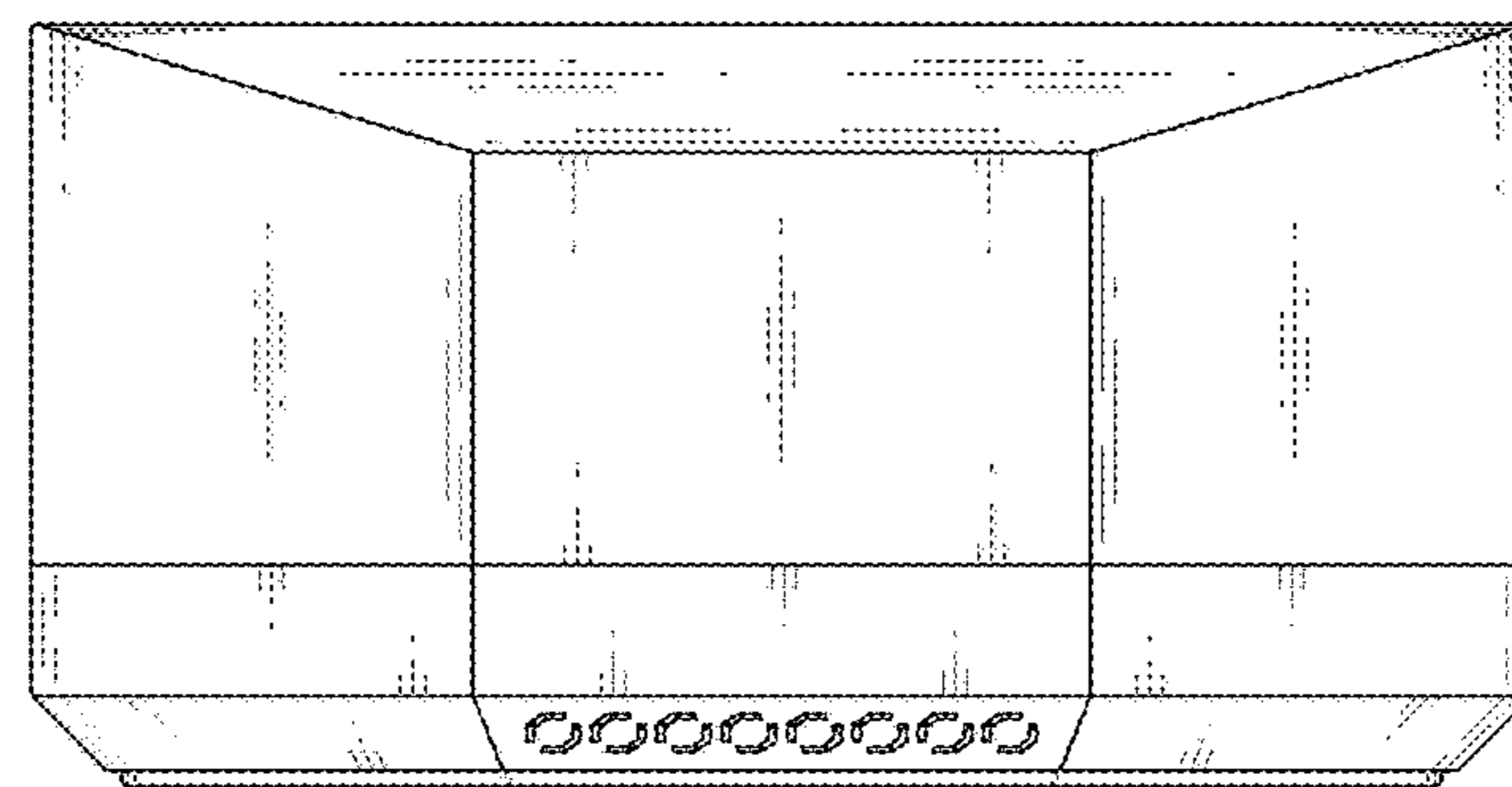


FIG. 6

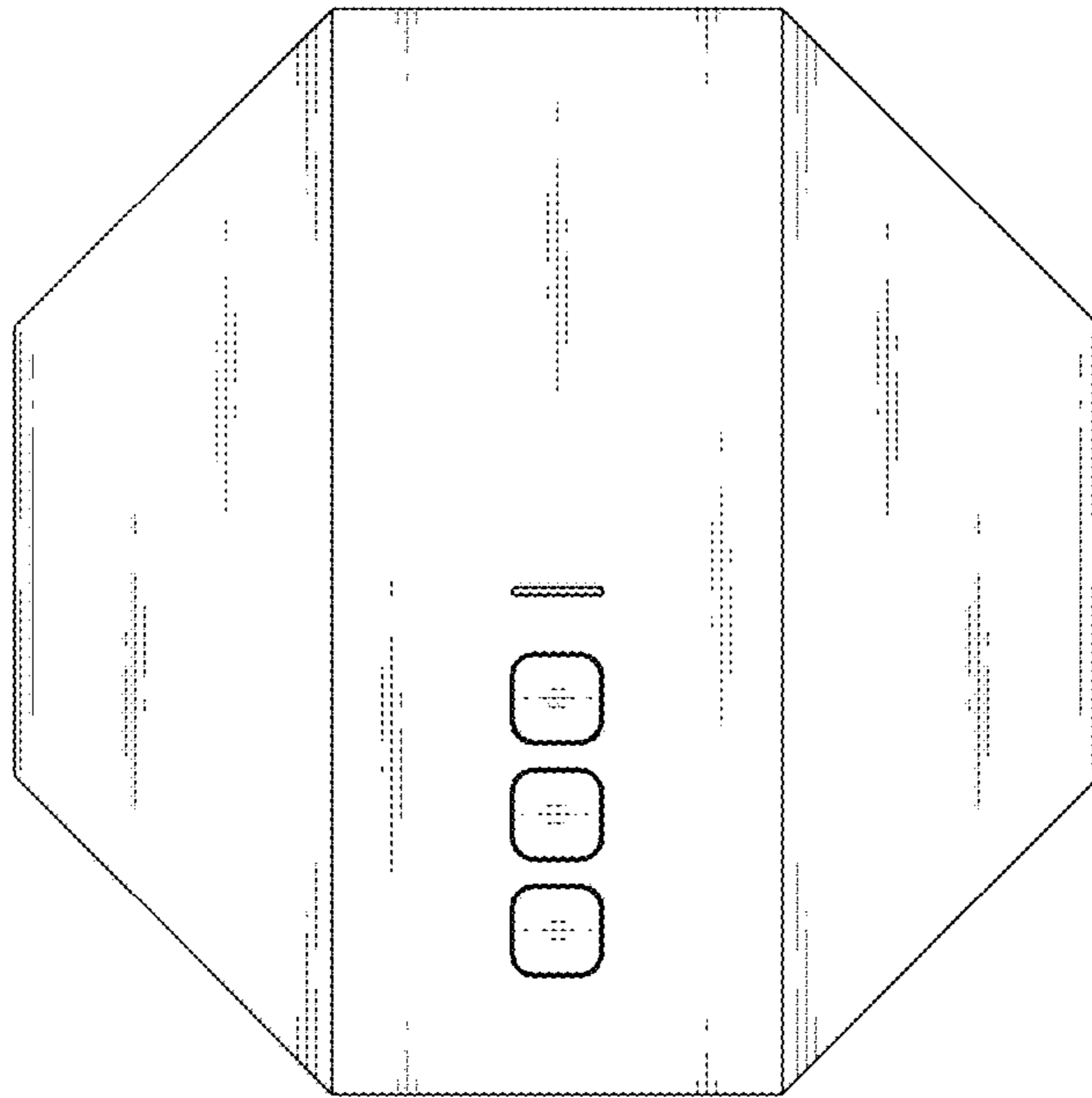


FIG. 7

