



US00D801409S

(12) **United States Design Patent** (10) **Patent No.:** **US D801,409 S**
Tsuge et al. (45) **Date of Patent:** **** Oct. 31, 2017**

(54) **CAMERA**

- (71) Applicant: **Sony Corporation**, Tokyo (JP)
- (72) Inventors: **Takahiro Tsuge**, Tokyo (JP); **Takeshi Miyazaki**, Tokyo (JP)
- (73) Assignee: **SONY CORPORATION**, Tokyo (JP)
- (**) Term: **14 Years**
- (21) Appl. No.: **29/483,642**
- (22) Filed: **Feb. 28, 2014**

Related U.S. Application Data

- (63) Continuation of application No. 29/480,308, filed on Jan. 24, 2014, now abandoned.

(30) **Foreign Application Priority Data**

- Jul. 24, 2013 (JP) D2013-016889
 - Jul. 24, 2013 (JP) D2013-016890
- (Continued)

- (51) **LOC (10) Cl.** **16-05**

- (52) **U.S. Cl.** **D16/219**

- (58) **Field of Classification Search**
 - USPC 348/373-376; 359/826-828; 396/529-532, 535, 539-541; D16/134, D16/136, 200, 202-205, 218, 219
- (Continued)

(56) **References Cited**

U.S. PATENT DOCUMENTS

- 4,357,090 A * 11/1982 Araki 396/529
 - 4,508,443 A 4/1985 Matsuzaki et al.
- (Continued)

FOREIGN PATENT DOCUMENTS

- JP D1074521 S 6/2000
 - JP D1081589 S 7/2000
- (Continued)

OTHER PUBLICATIONS

Web page, "WVIL: Camera Futura", <http://www.artefactgroup.com/content/camera-futura-s/>, 9 sheets, Artefact Group, Jan. 11, 2011.

Primary Examiner — Philip S Hyder
Assistant Examiner — Ramzi Almatrahi

(74) *Attorney, Agent, or Firm* — Michael Best and Friedrich LLP

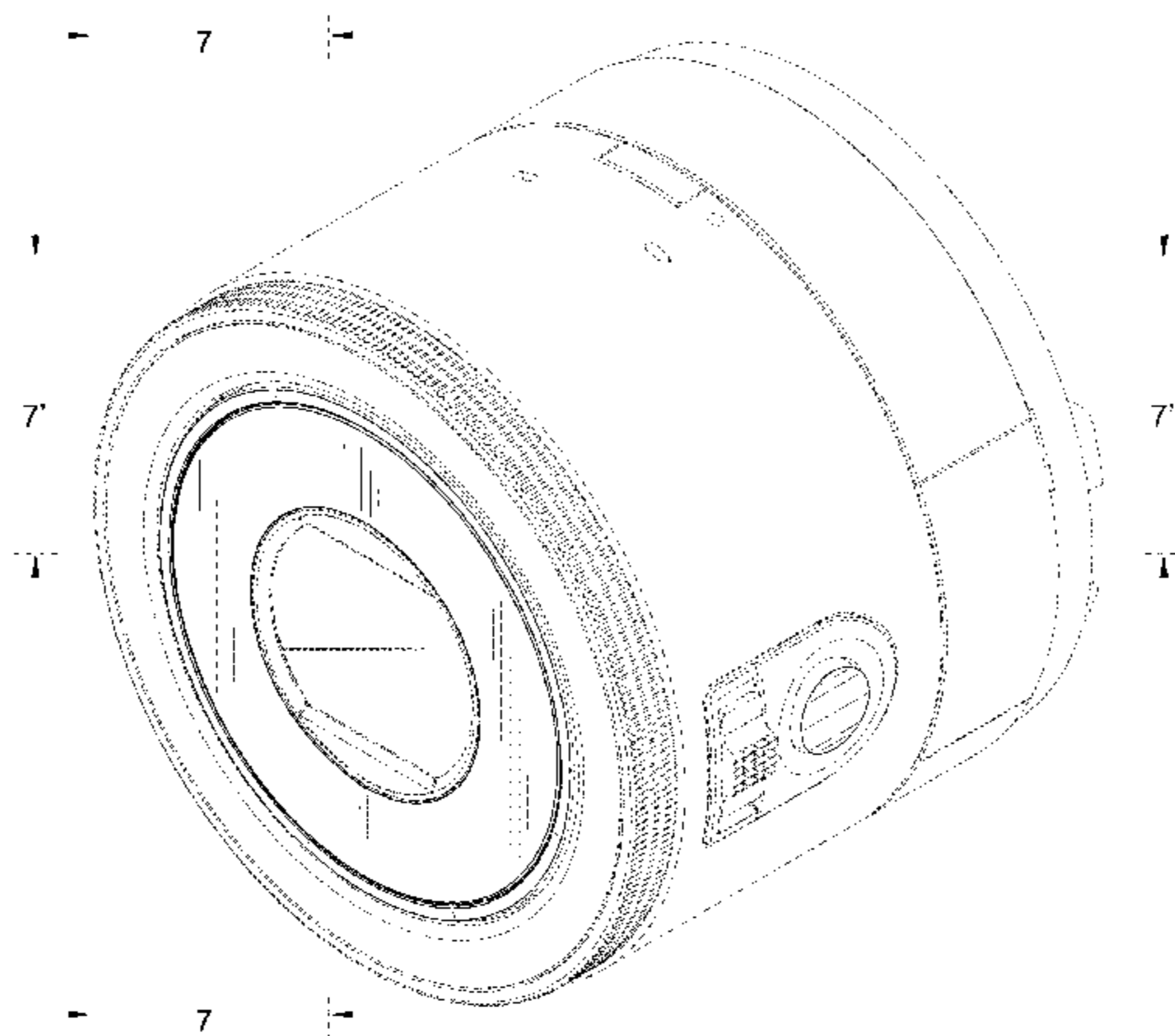
(57) **CLAIM**

The ornamental design for a camera, as shown and described.

DESCRIPTION

FIG. 1 is a perspective view of a first embodiment of a camera showing our new design;
 FIG. 2 is a front elevational view thereof;
 FIG. 3 is a rear elevational view thereof;
 FIG. 4 is a right side elevational view thereof.
 FIG. 5 is a top plan view thereof; and
 FIG. 6 is a bottom plan view thereof.
 FIG. 7 is an enlarged perspective view along the lines 7-7 and 7'-7' of FIG. 1.
 FIG. 8 is a perspective view of a second embodiment of a camera showing our new design;
 FIG. 9 is a front elevational view thereof;
 FIG. 10 is a rear elevational view thereof;
 FIG. 11 is a right side elevational view thereof.
 FIG. 12 is a top plan view thereof; and
 FIG. 13 is a bottom plan view thereof; and,
 FIG. 14 is an enlarged perspective view along the lines 14-14 and 14'-14' of FIG. 8.
 The broken lines illustrate unclaimed portions of the camera and form no part of claimed design. Dot-dash broken lines define the boundaries of, but not included in, the claimed design.

1 Claim, 13 Drawing Sheets



(30) Foreign Application Priority Data

Jul. 24, 2013	(JP)	D2013-016891
Aug. 21, 2013	(JP)	D2013-019100
Aug. 21, 2013	(JP)	D2013-019101
Aug. 21, 2013	(JP)	D2013-019102
Aug. 23, 2013	(JP)	D2013-019379
Aug. 23, 2013	(JP)	D2013-019380
Aug. 23, 2013	(JP)	D2013-019381
Aug. 23, 2013	(JP)	D2013-019382
Aug. 23, 2013	(JP)	D2013-019383

(58) Field of Classification Search

CPC G03B 17/02; G03B 19/04; G03B 17/56;
 G03B 17/04; G03B 15/03; G03B 17/14;
 H04N 5/2251; H04N 5/2252; H04N
 5/2253; H04N 5/2254; G02B 7/02; G02B
 7/04; G02B 7/14

See application file for complete search history.

(56) References Cited

U.S. PATENT DOCUMENTS

4,627,699	A	12/1986	Takagi
D302,169	S	7/1989	Kimura et al.
D302,684	S	8/1989	Akagi et al.
D303,976	S	10/1989	Kimura et al.
D310,676	S	9/1990	Charles
D341,611	S	11/1993	Takahashi
D347,235	S	5/1994	Ooi et al.
D362,007	S	9/1995	Takahashi
D412,922	S	8/1999	Sekine
6,247,855	B1	6/2001	Motohashi et al.
D445,816	S	7/2001	Tanaka
D449,058	S	10/2001	Yamazaki et al.
D449,322	S	10/2001	Ono et al.
D488,497	S	4/2004	Suzuki
D527,755	S	9/2006	Wu
D528,576	S	9/2006	Chung et al.
D546,364	S	7/2007	Ito et al.
D546,863	S	7/2007	Ito et al.
D562,862	S	2/2008	Yasutomi
D562,863	S	2/2008	Yasutomi
D562,864	S	2/2008	Yasutomi
D562,865	S	2/2008	Yasutomi
D566,158	S	4/2008	Yasutomi
7,382,556	B2	6/2008	Lee
7,388,718	B2	6/2008	Makii et al.
7,400,346	B2	7/2008	King et al.
D624,577	S	9/2010	Kujawski et al.
D634,767	S	3/2011	Ko
D636,421	S	4/2011	Sagen et al.
7,973,849	B2	7/2011	Oishi et al.
7,988,372	B2*	8/2011	Lee et al. 396/531
8,085,485	B1	12/2011	Yamamoto et al.

D664,583	S	7/2012	Asano et al.
8,218,255	B2	7/2012	Katano
D665,005	S	8/2012	Asano et al.
D678,381	S *	3/2013	Fujita et al. D16/219
8,411,371	B2	4/2013	Li et al.
D684,207	S	6/2013	Kim
D688,292	S *	8/2013	Koyama et al. D16/219
D696,709	S *	12/2013	Sato D16/219
D697,119	S	1/2014	Park et al.
D716,361	S *	10/2014	Tsuge D16/218
D718,362	S *	11/2014	Noh D16/219
D730,422	S *	5/2015	Kim D16/218
2005/0270414	A1	12/2005	Lee
2006/0274184	A1	12/2006	Hayashi
2007/0077062	A1	4/2007	Senba et al.
2007/0222888	A1	9/2007	Xiao et al.
2009/0324213	A1	12/2009	Wang
2010/0061717	A1	3/2010	Iyoda et al.
2010/0284081	A1	11/2010	Gutierrez et al.
2012/0014004	A1	1/2012	Yamamoto et al.
2012/0039595	A1	2/2012	Youn
2013/0021686	A1	1/2013	Uehara
2013/0148953	A1	6/2013	Imafuji
2013/0265662	A1	10/2013	Araie et al.

FOREIGN PATENT DOCUMENTS

JP	D1094541	S	12/2000
JP	D1096863	S	1/2001
JP	D1186623	S	10/2003
JP	D1293312	S	2/2007
JP	D1293871	S	2/2007
JP	D1293872	S	2/2007
JP	D1302308	S	6/2007
JP	D1413569	S	5/2011
JP	D1429052	S	12/2011
JP	D1429053	S	12/2011
JP	D1429602	S	12/2011
JP	D1429603	S	12/2011
JP	D1429604	S	12/2011
JP	D1433884	S	2/2012
JP	D1436595	S	3/2012
JP	D1440857	S	5/2012
JP	D1449962	S	9/2012
JP	D1466104	S	4/2013
JP	D1493913	S	5/2014
JP	D1496324	S	5/2014
JP	D1496335	S	5/2014
JP	D1496914	S	5/2014
JP	D1496915	S	5/2014
JP	D1496916	S	5/2014
JP	D1496917	S	5/2014
JP	D1500744	S	6/2014
JP	D1521288	S	9/2015
JP	D1521677	S	9/2015
JP	D1535728	S	10/2015
JP	D1535729	S	10/2015

* cited by examiner

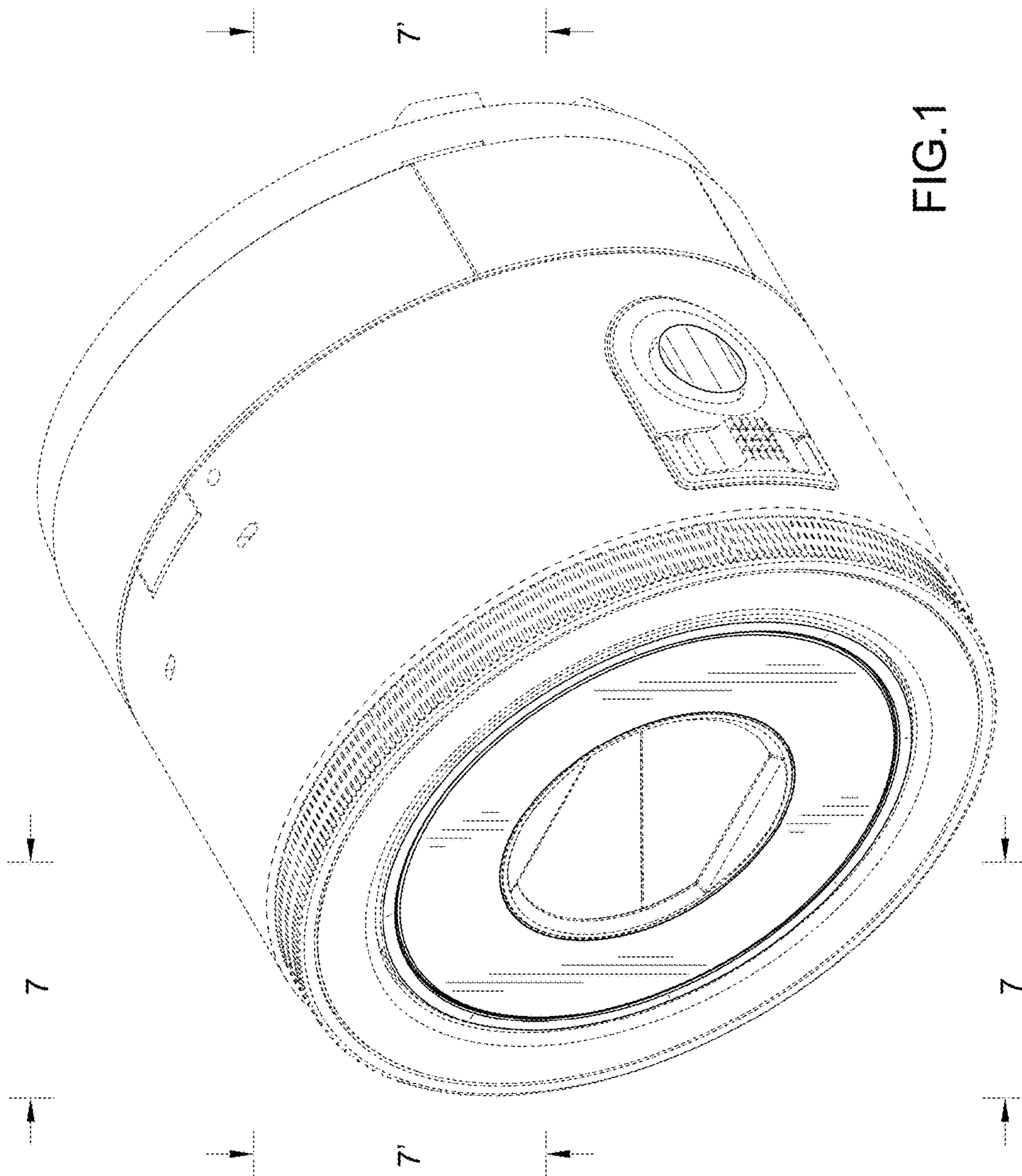


FIG.2

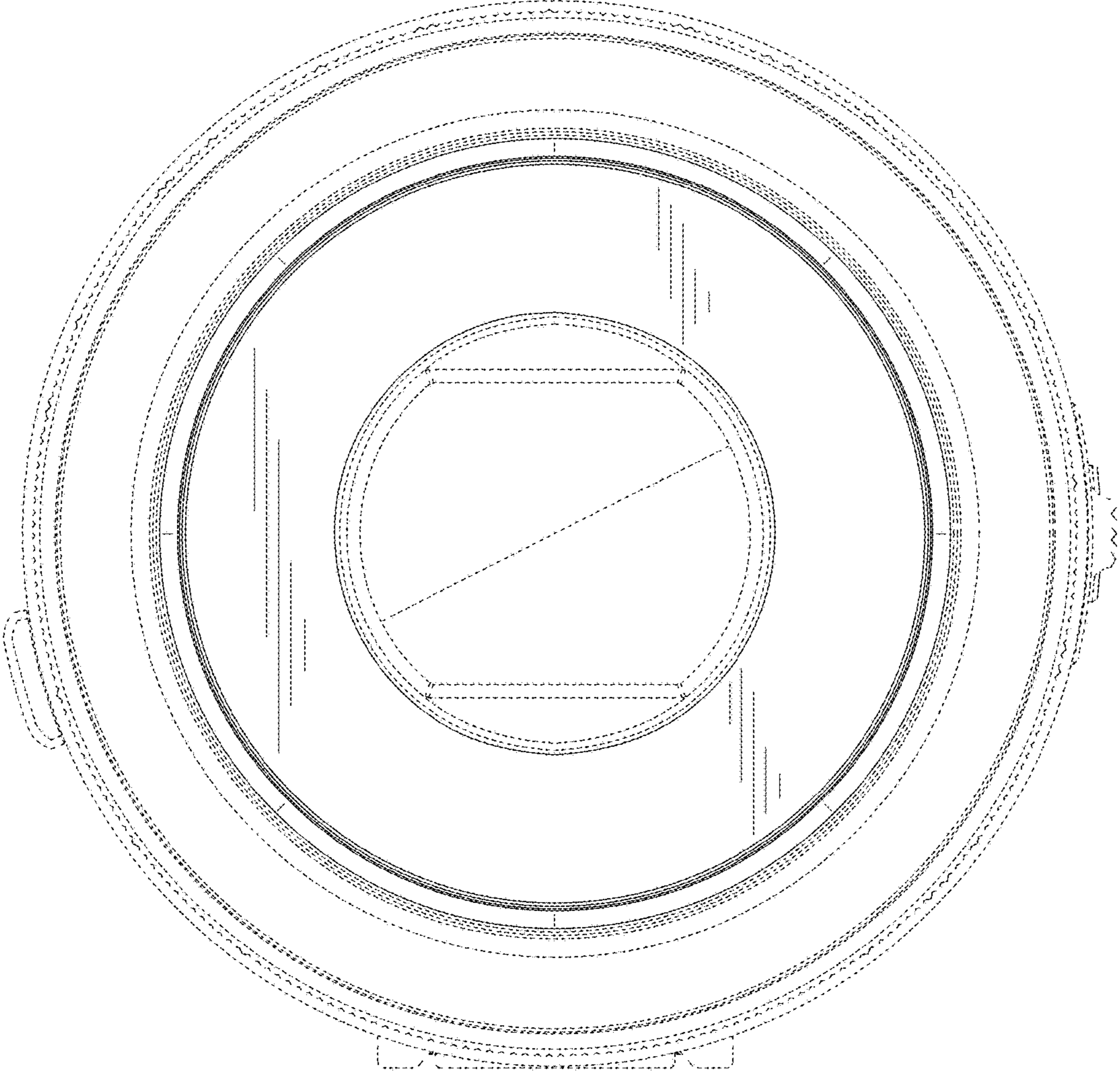


FIG.3

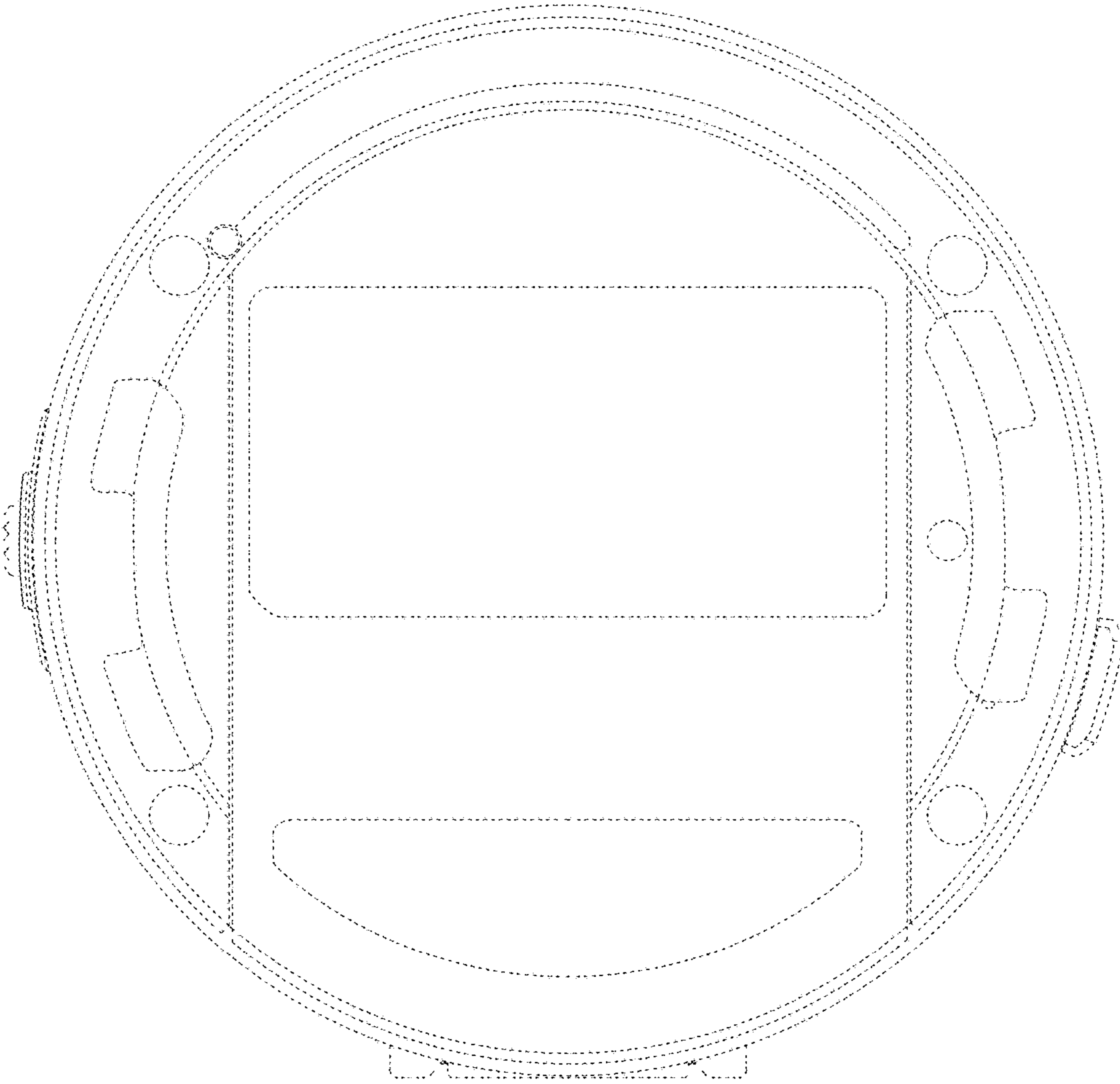


FIG.4

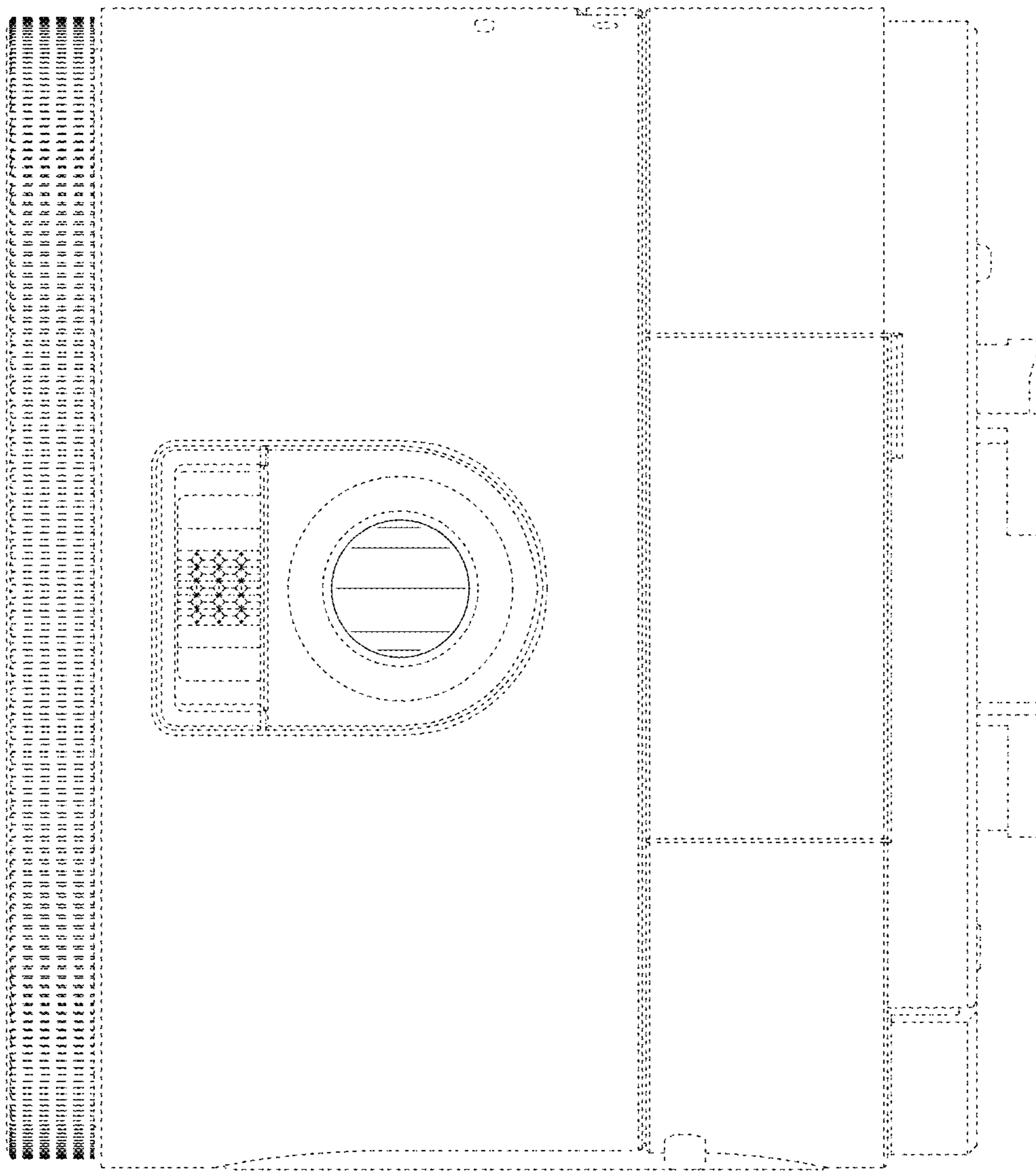


FIG.5

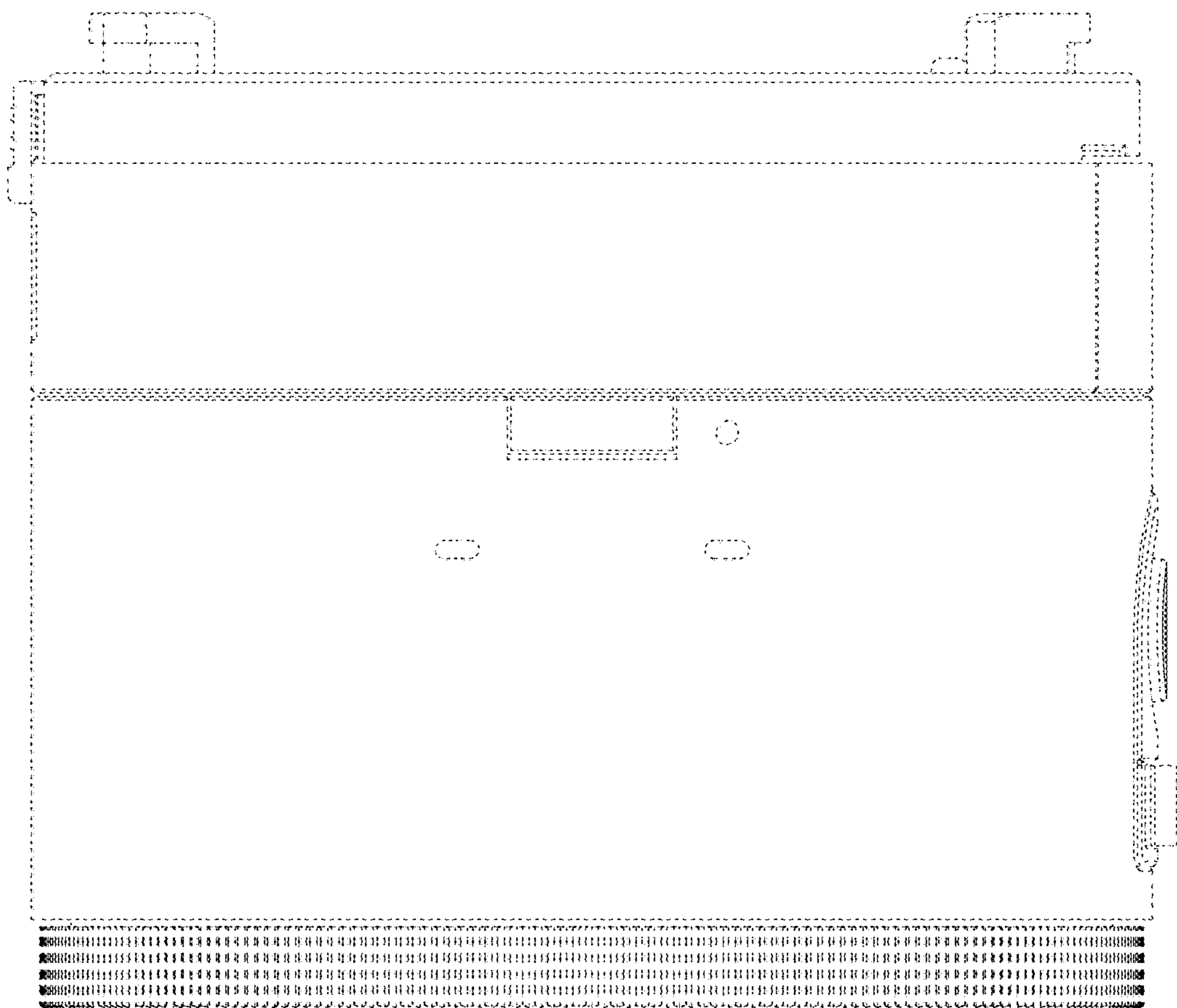


FIG.6

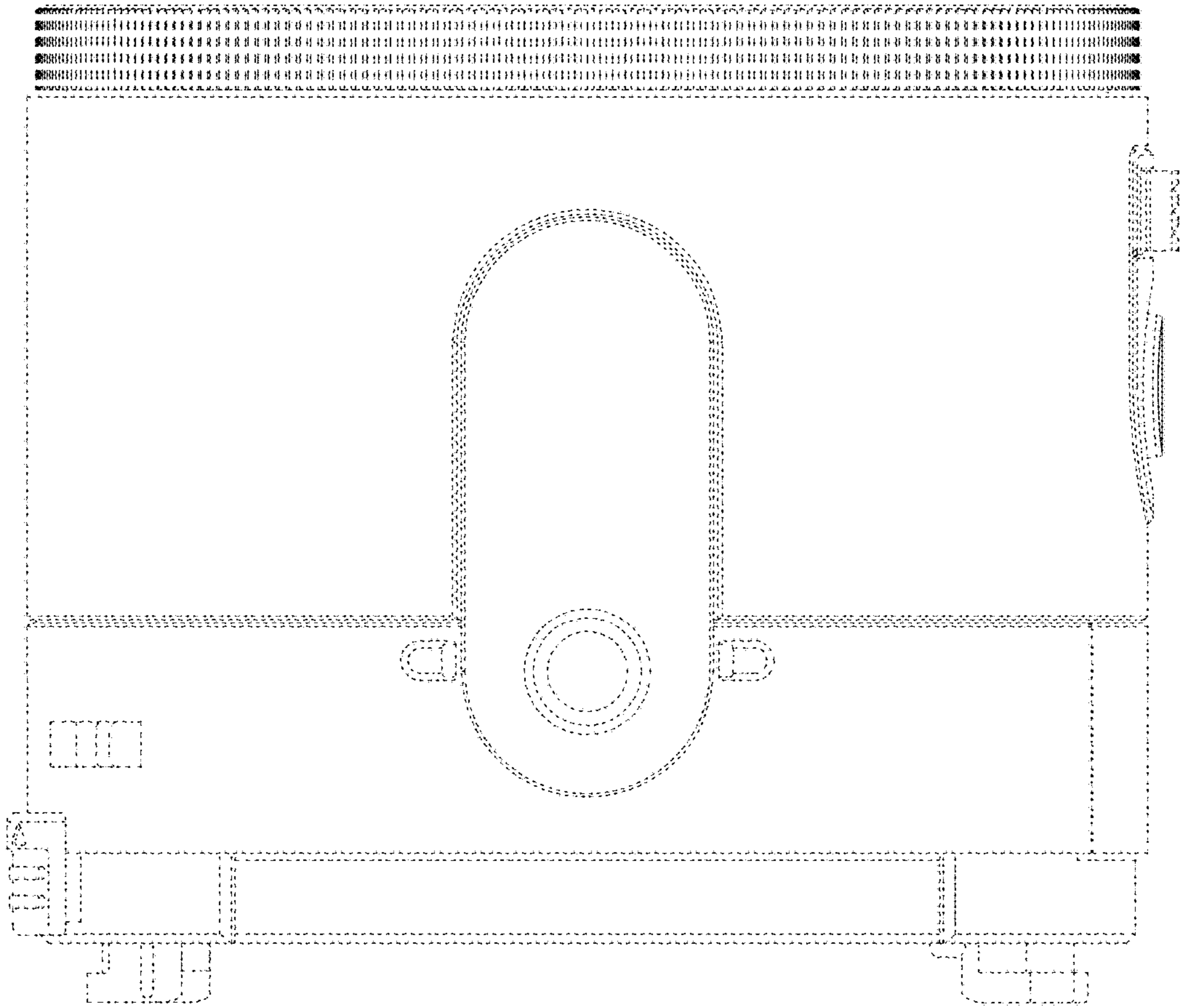


FIG.7

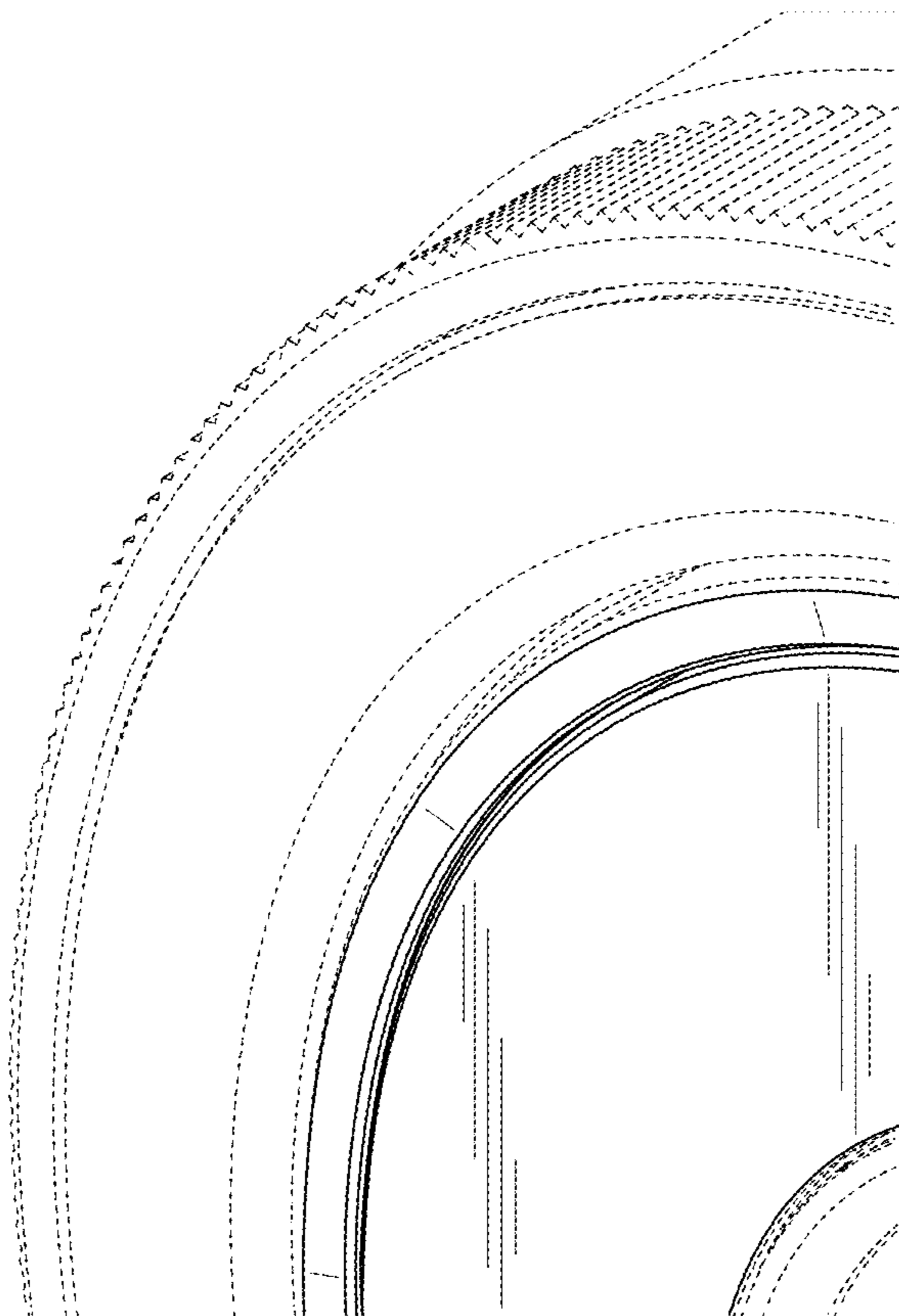


FIG.8

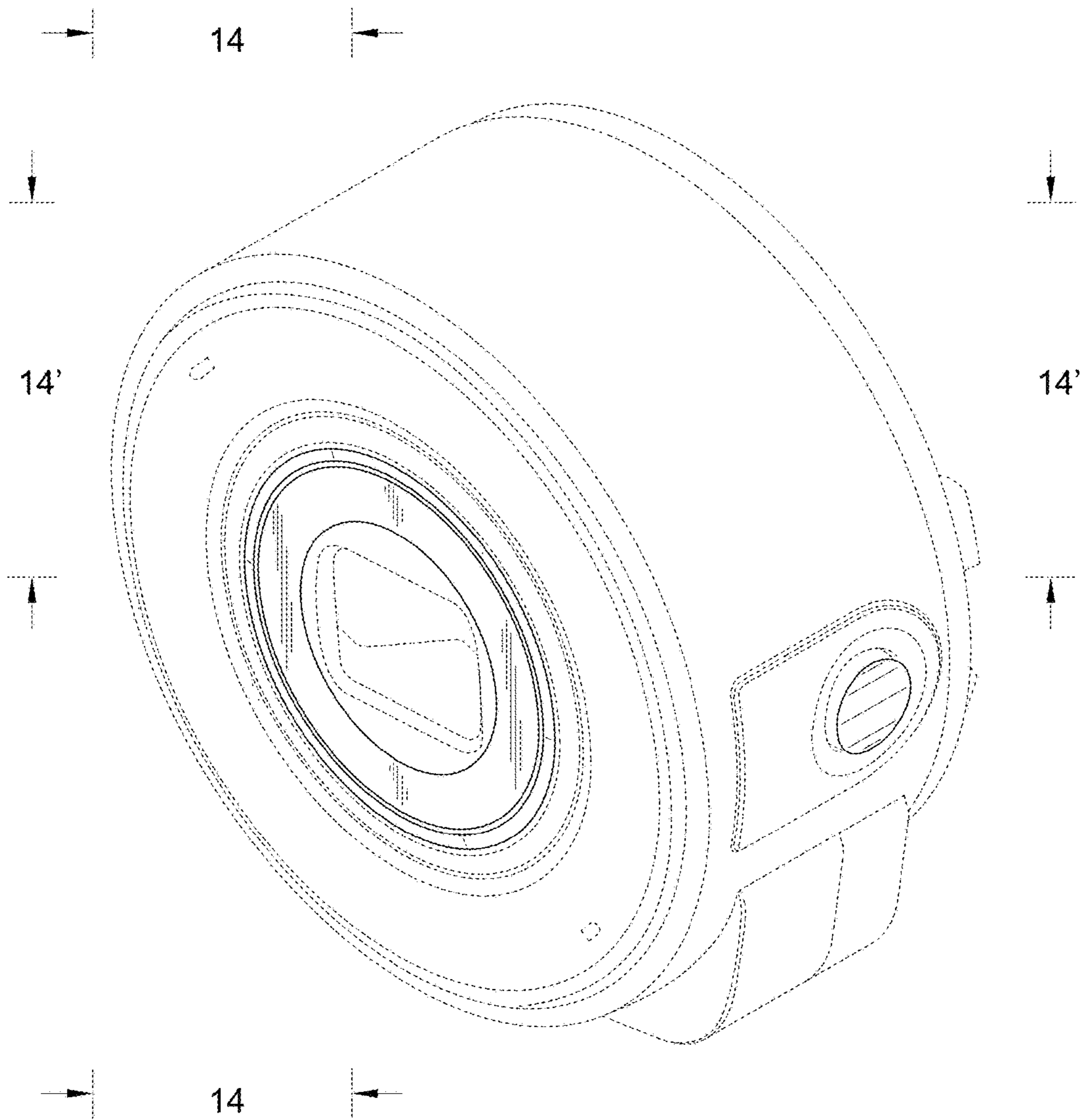


FIG.9

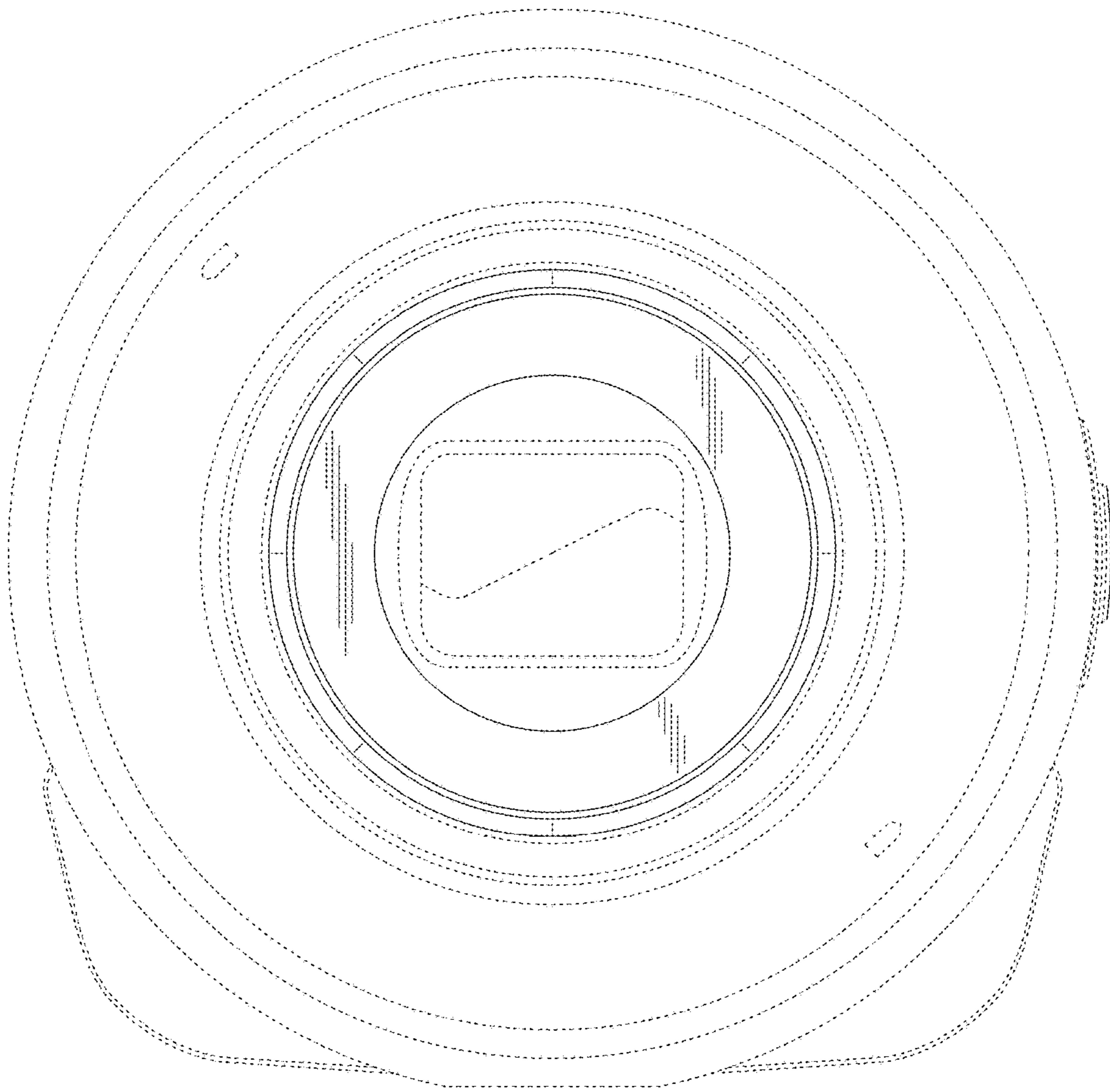


FIG.10

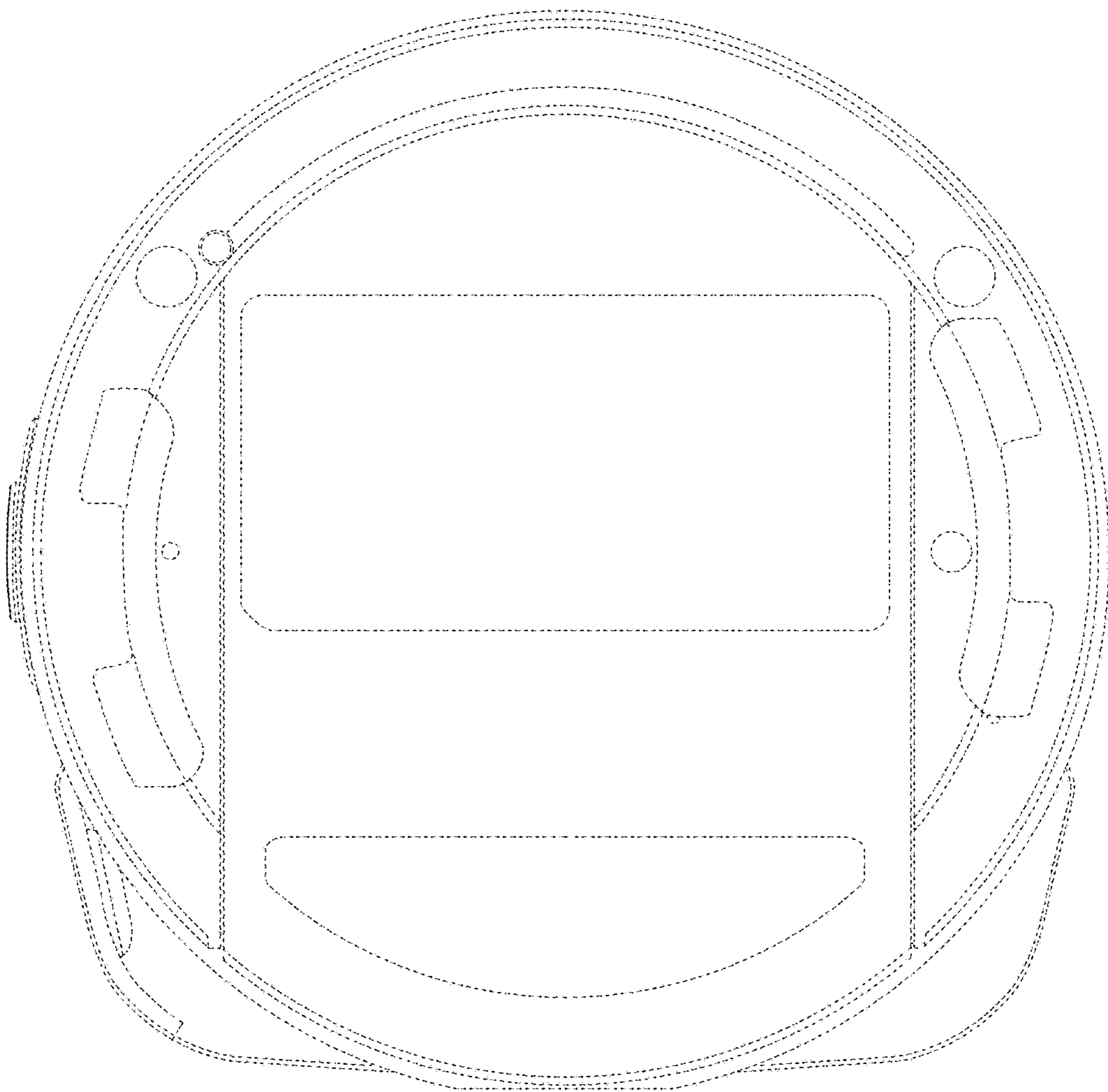


FIG.11

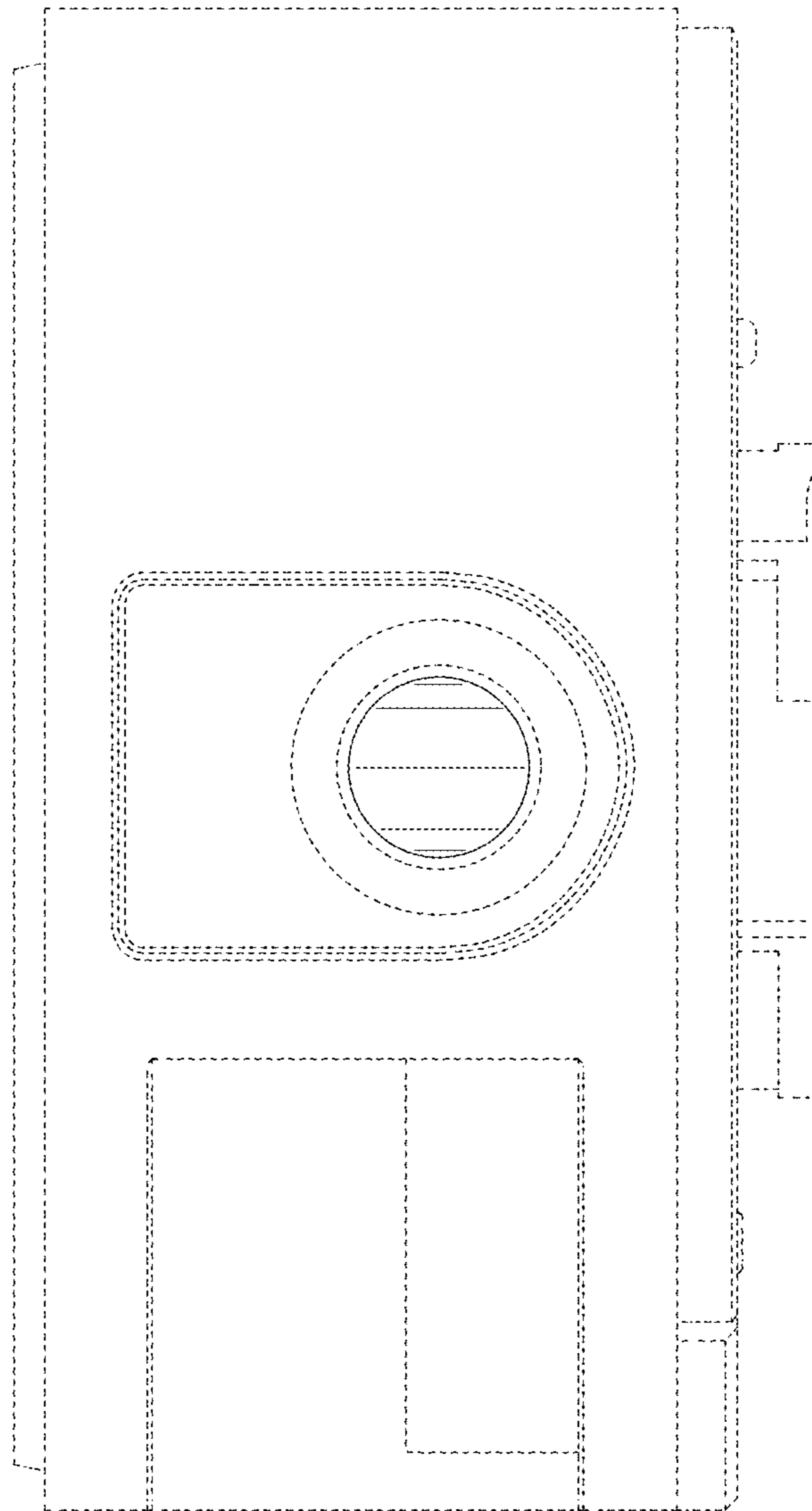


FIG.12



FIG.13

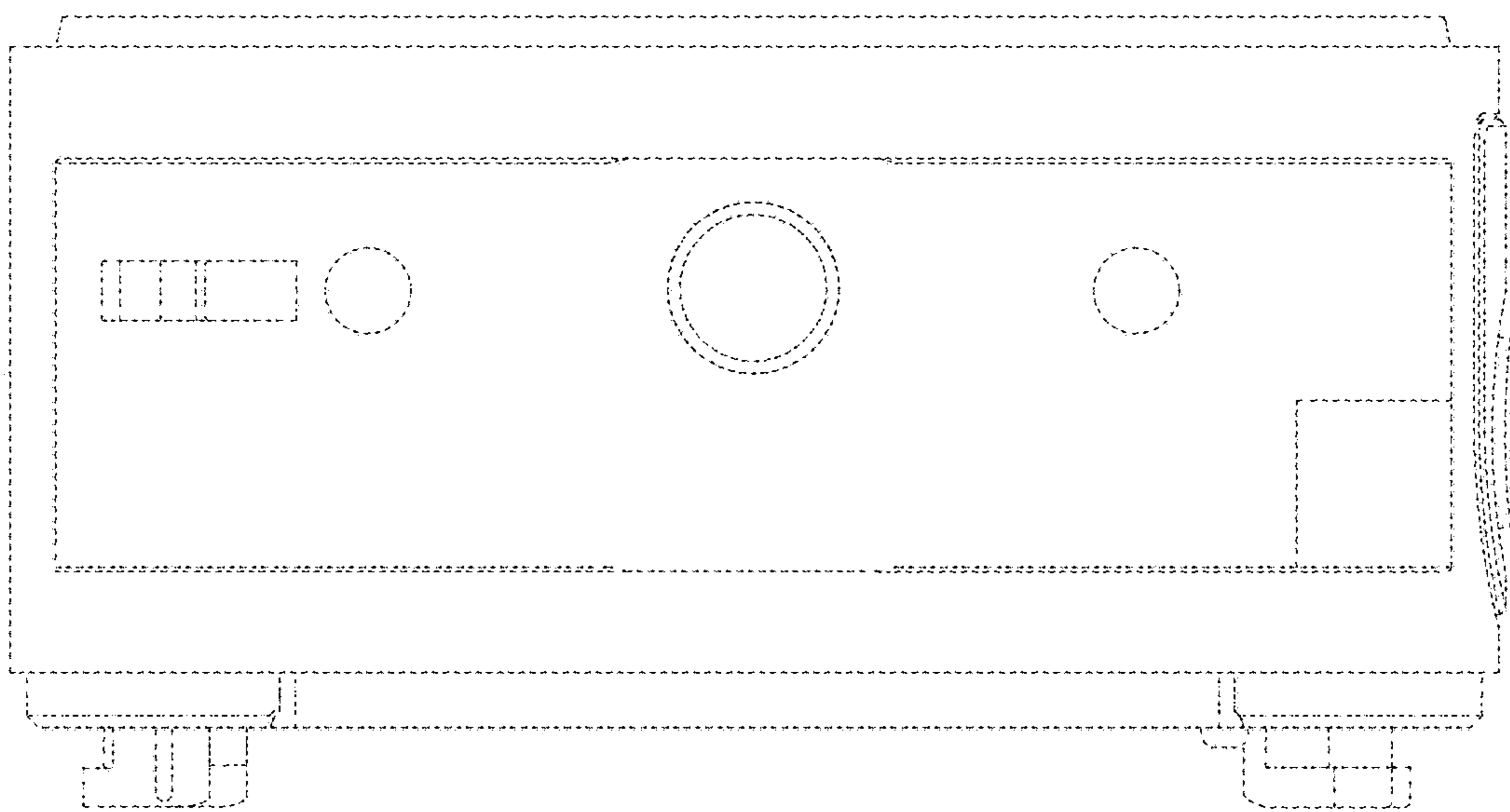


FIG.14

