



US00D801407S

(12) **United States Design Patent**
Kullgren et al.

(10) **Patent No.:** **US D801,407 S**
(45) **Date of Patent:** **** Oct. 31, 2017**

(54) **MONITORING CAMERA**

(71) Applicant: **Axis AB**, Lund (SE)

(72) Inventors: **Fredrik Kullgren**, Skanor (SE); **Daniel Ahman**, Lomma (SE); **Elin Carrander**, Bjarred (SE); **Larissa Eng**, Malmo (SE); **Magnus Ainetoft**, Lund (SE); **Mathias Walter**, Arlov (SE); **Morten Bergstrom**, Bjarred (SE)

(73) Assignee: **AXIS AB**, Lund (SE)

(**) Term: **15 Years**

(21) Appl. No.: **29/565,897**

(22) Filed: **May 25, 2016**

(30) **Foreign Application Priority Data**

Nov. 25, 2015 (EM) 002876326-0001

(51) **LOC (10) Cl.** **16-01**

(52) **U.S. Cl.**
USPC **D16/203**

(58) **Field of Classification Search**
USPC D14/130, 144, 132; D16/200–220, 242, D16/238; D26/24, 36, 72, 79, 123; D10/104.1, 104.2, 106.1, 106.2, 106.5; D9/548, 560, 572, 574, 430, 431; D29/109–110

CPC H04N 7/181; H04N 7/183; H04N 7/18; H04N 3/08; H04N 5/23248; H04N 5/23287; H04N 5/23258; H04N 5/2251; H04N 5/2252; H04N 2007/145; G01C 11/025; G03B 15/00; G03B 15/03; G03B 17/56; G03B 17/02; G03B 17/30; G03B 17/04; G03B 17/00; G03B 19/04; G03B 3/00; B60R 1/00; B60R 2300/105; G08B 13/19619; G08B 13/1963; G08B 13/19632; F16M 11/04; F16M 13/00; Y02E 60/12

See application file for complete search history.

(56) **References Cited**

U.S. PATENT DOCUMENTS

D275,294 S * 8/1984 Pagano D16/203
D325,212 S * 4/1992 Elberbaum D16/219
D443,713 S * 6/2001 Benensohn D26/72
(Continued)

FOREIGN PATENT DOCUMENTS

EM 0011136410001 3/2009
EM 00130733400001 12/2011
(Continued)

OTHER PUBLICATIONS

AXIS P5514, announced 2017, [site visited Mar. 28, 2017], Available from Internet, URL: <https://www.axis.com/gh/en/products/axis-p5514>>.*

(Continued)

Primary Examiner — Barbara Fox

Assistant Examiner — Mary C Ramirez

(74) *Attorney, Agent, or Firm* — Volpe and Koenig, P.C.

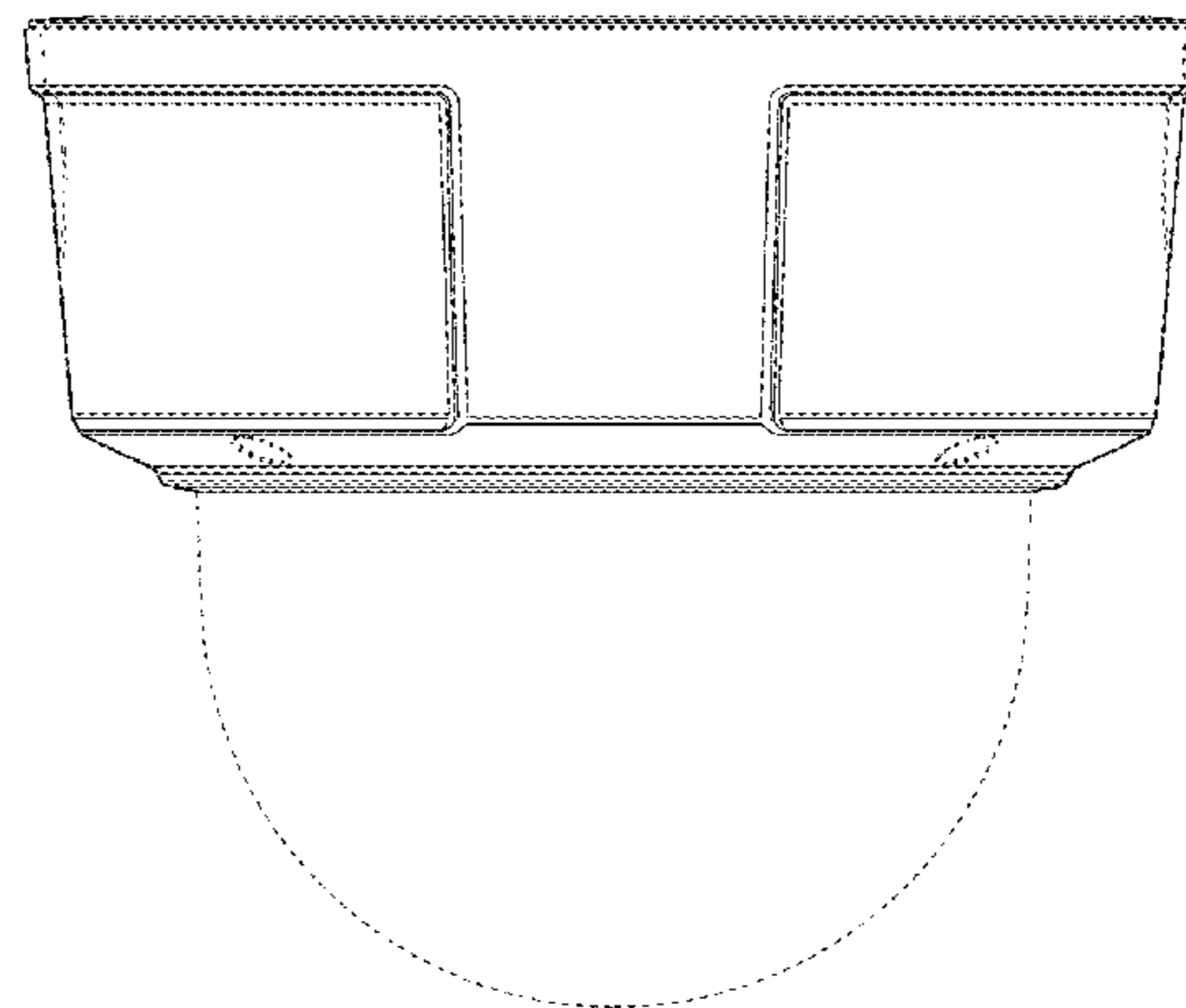
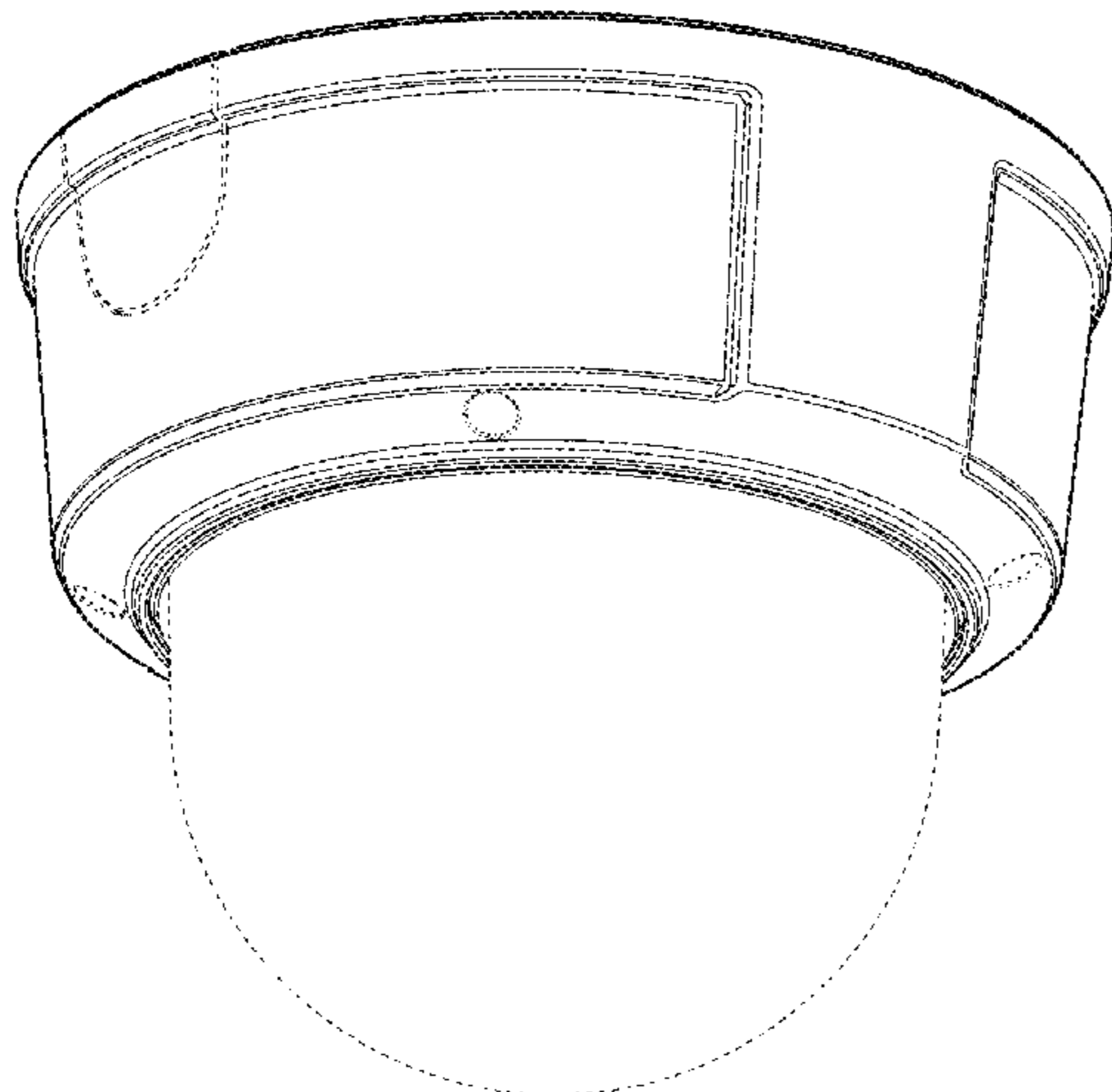
(57) **CLAIM**

The ornamental design for a monitoring camera, as shown and described.

DESCRIPTION

FIG. 1 is a perspective view of a monitoring camera showing our new design;
FIG. 2 is a bottom plan top plan view thereof;
FIG. 3 is a front elevational view thereof;
FIG. 4 is a left side view thereof;
FIG. 5 is a rear elevational view thereof;
FIG. 6 is a right side view thereof; and,
FIG. 7 is a top plan view thereof.
The broken lines depict portions of the monitoring camera that form no part of the claimed design.

1 Claim, 4 Drawing Sheets



(56)

References Cited

U.S. PATENT DOCUMENTS

D452,696 S * 1/2002 Fenton D16/203
 D501,863 S * 2/2005 Nagai D16/203
 D507,804 S * 7/2005 Nagai D16/203
 D536,273 S * 2/2007 Gebelein D10/104.1
 D558,248 S * 12/2007 Togawa D16/203
 D575,810 S * 8/2008 Alm D16/203
 D633,120 S * 2/2011 Ham D16/203
 D636,804 S * 4/2011 Anneback D16/203
 D636,805 S * 4/2011 Anneback D16/203
 D655,328 S * 3/2012 Anneback D16/203
 D721,755 S * 1/2015 Ahman D16/203
 D740,874 S * 10/2015 Ahman D16/203
 D742,041 S * 10/2015 Garcia D26/110
 D742,447 S * 11/2015 Stark D16/203
 2003/0103161 A1 * 6/2003 Tatewaki G08B 13/19619
 348/375
 2004/0047623 A1 * 3/2004 Top G08B 13/1963
 396/427
 2009/0059003 A1 * 3/2009 Kim G03B 15/03
 348/143
 2009/0290860 A1 * 11/2009 Uchida G02B 7/021
 396/144
 2011/0064403 A1 * 3/2011 Nakano G03B 17/02
 396/535

2011/0304732 A1 * 12/2011 Uchida G03B 17/02
 348/143
 2015/0288860 A1 * 10/2015 Chu H04N 5/2254
 348/143
 2016/0112608 A1 * 4/2016 Elensi H04N 5/2252
 348/143

FOREIGN PATENT DOCUMENTS

EM 001317895-0001 * 4/2012
 EM 002876326-0001 * 4/2016
 EM 002877035-0001 * 4/2016

OTHER PUBLICATIONS

AXIS P33, announced 2017, [site visited Mar. 28, 2017], Available from Internet, URL: <<https://www.axis.com/hu/en/products/axis-p33-series>>.*

AXIS Q3708, announce 2017, [site visited Mar. 28, 2017], Available from Internet, URL: <<https://www.axis.com/au/en/products/axis-q3708-pve>>.*

AXIS Communications, AXIS P5514 PTZ Dome Network Camera, Cost-effective indoor HDTV PTZ dome with 12x zoom, 2015.

* cited by examiner

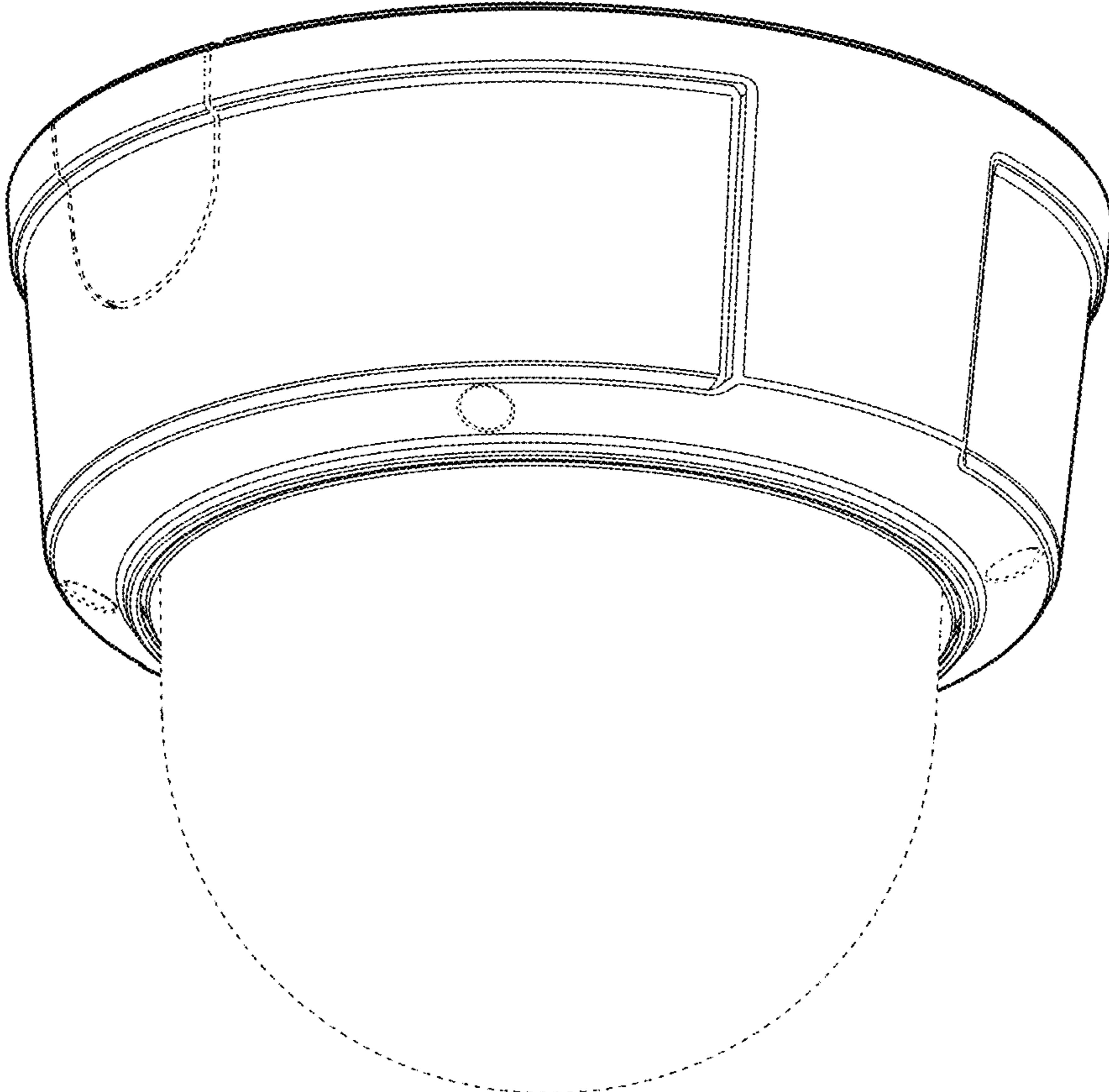


Figure 1

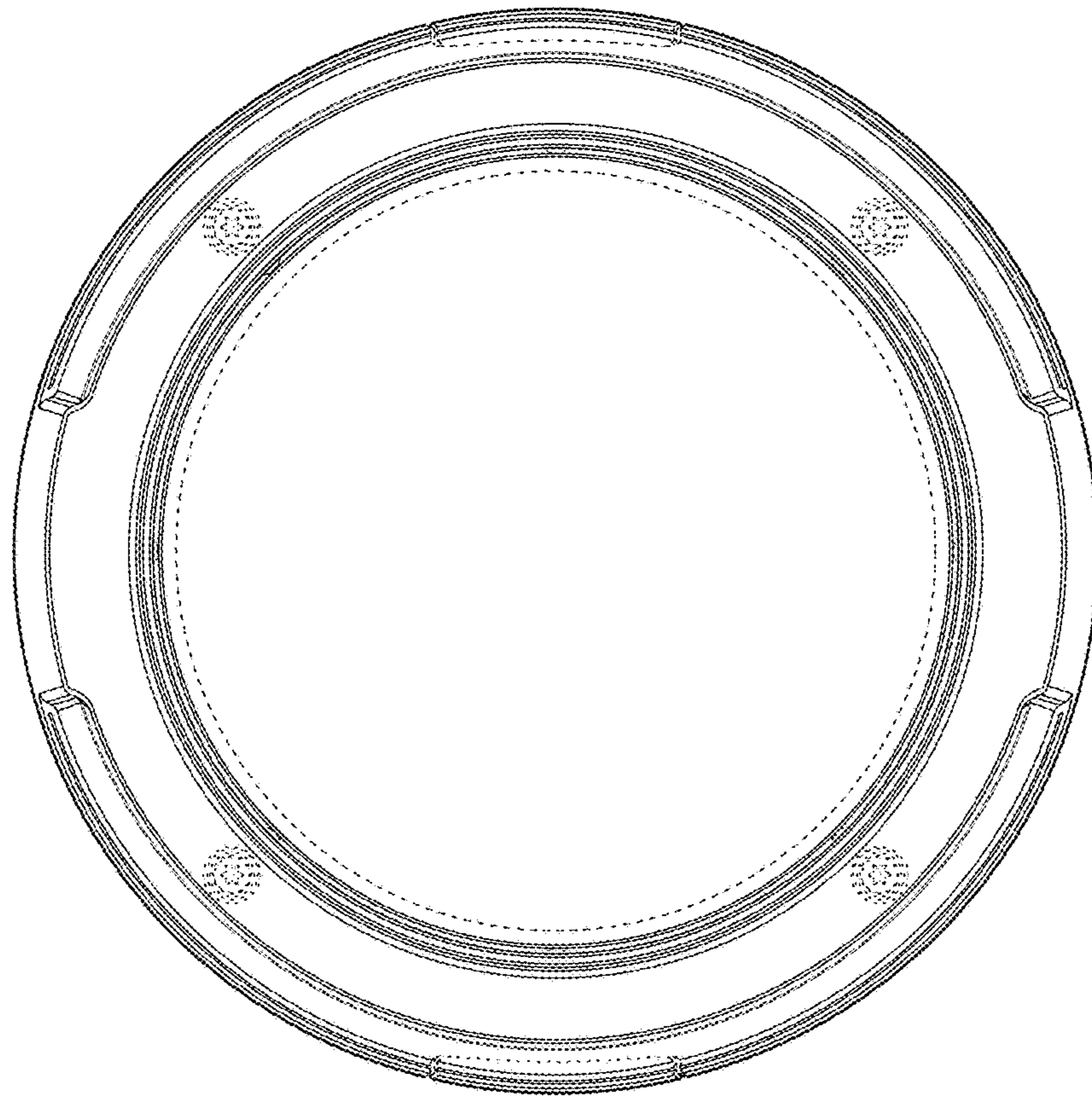


Figure 2

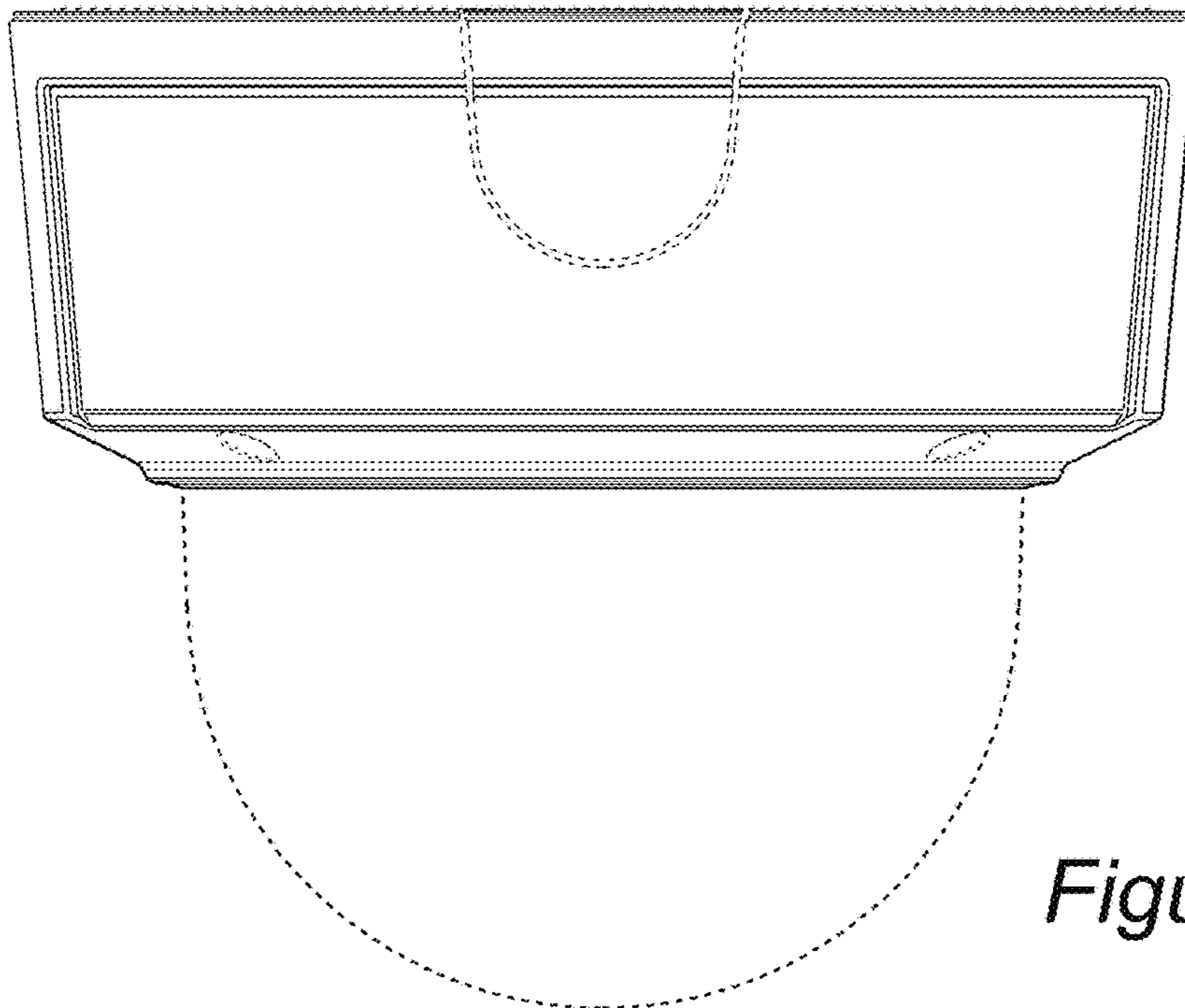


Figure 3

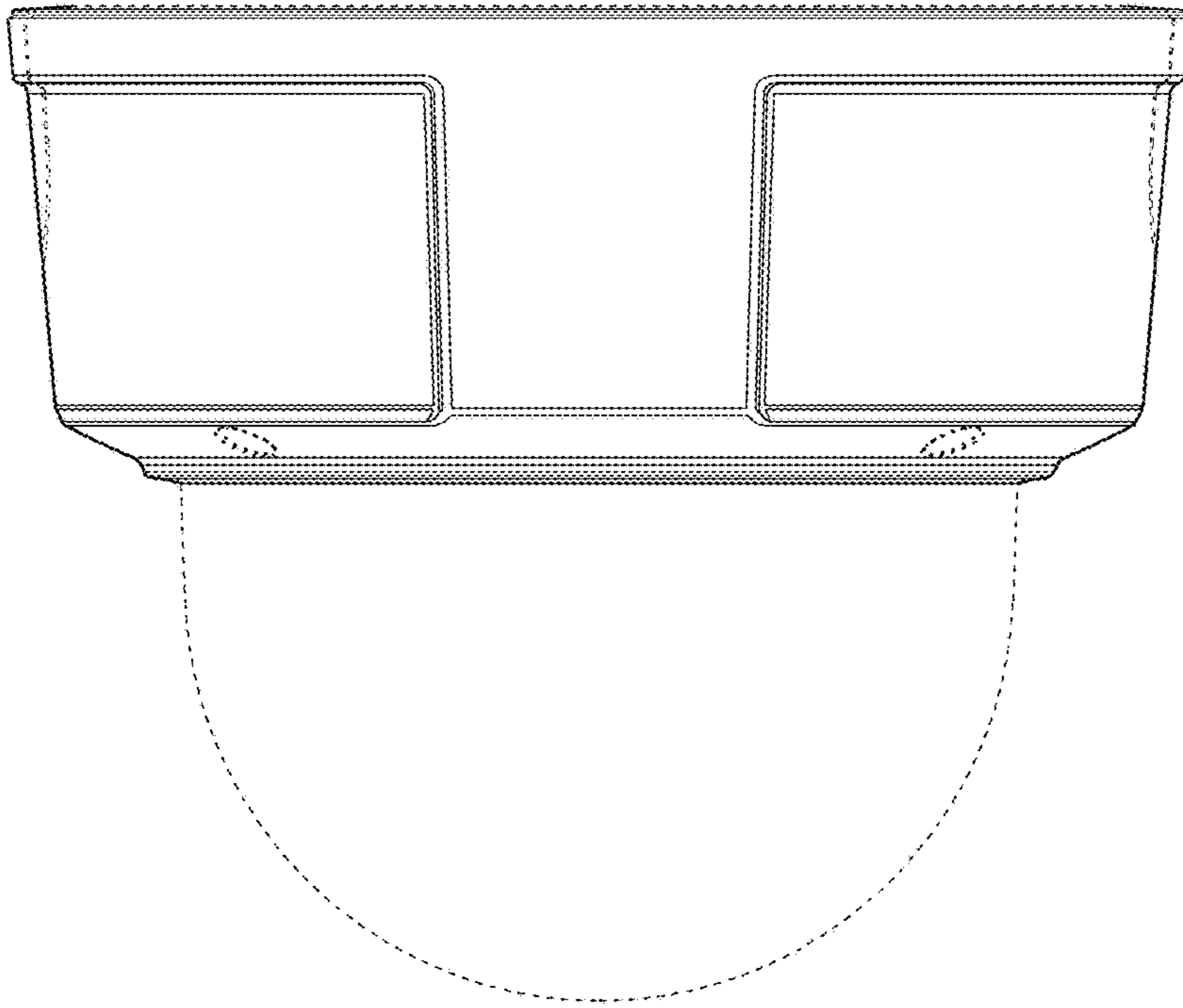


Figure 4

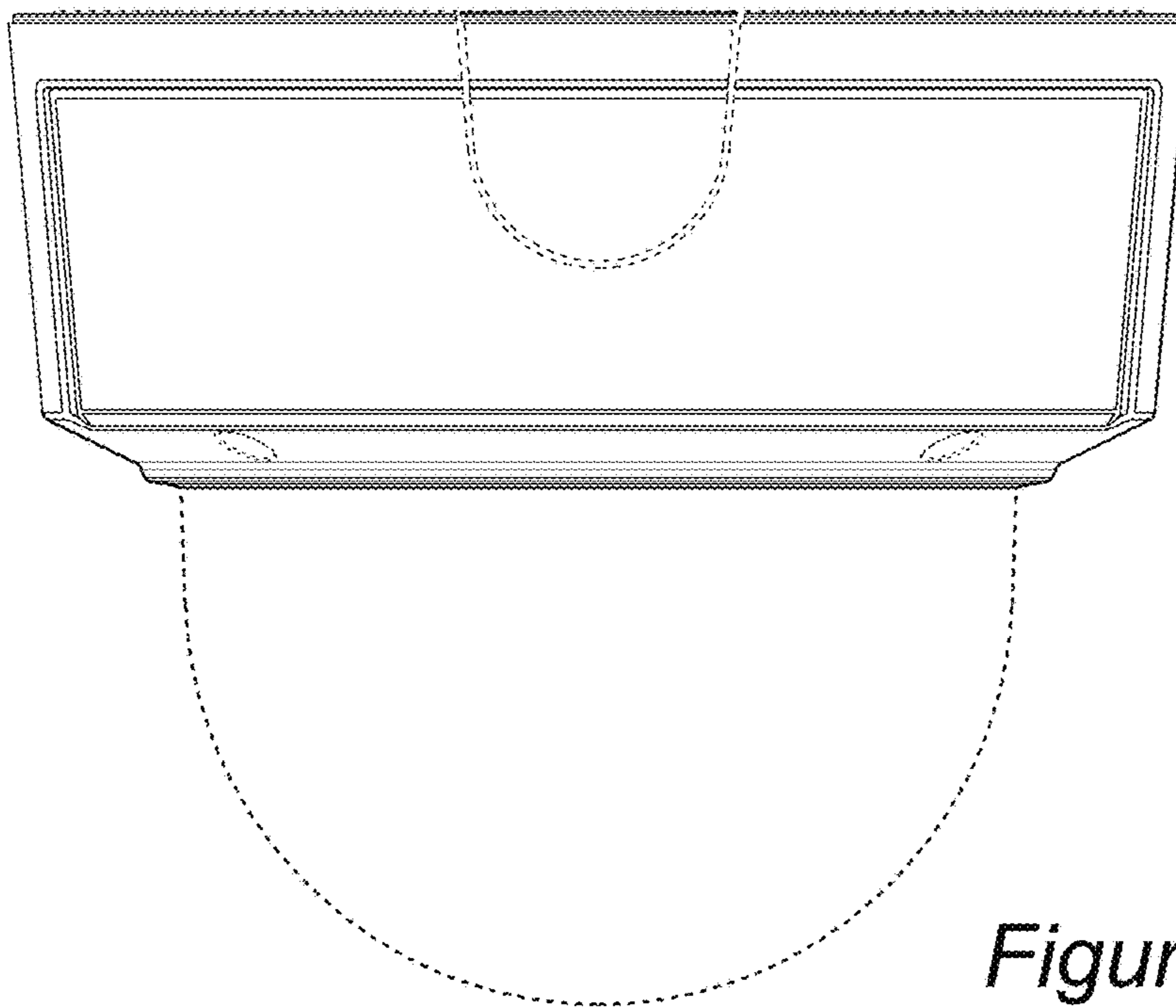


Figure 5

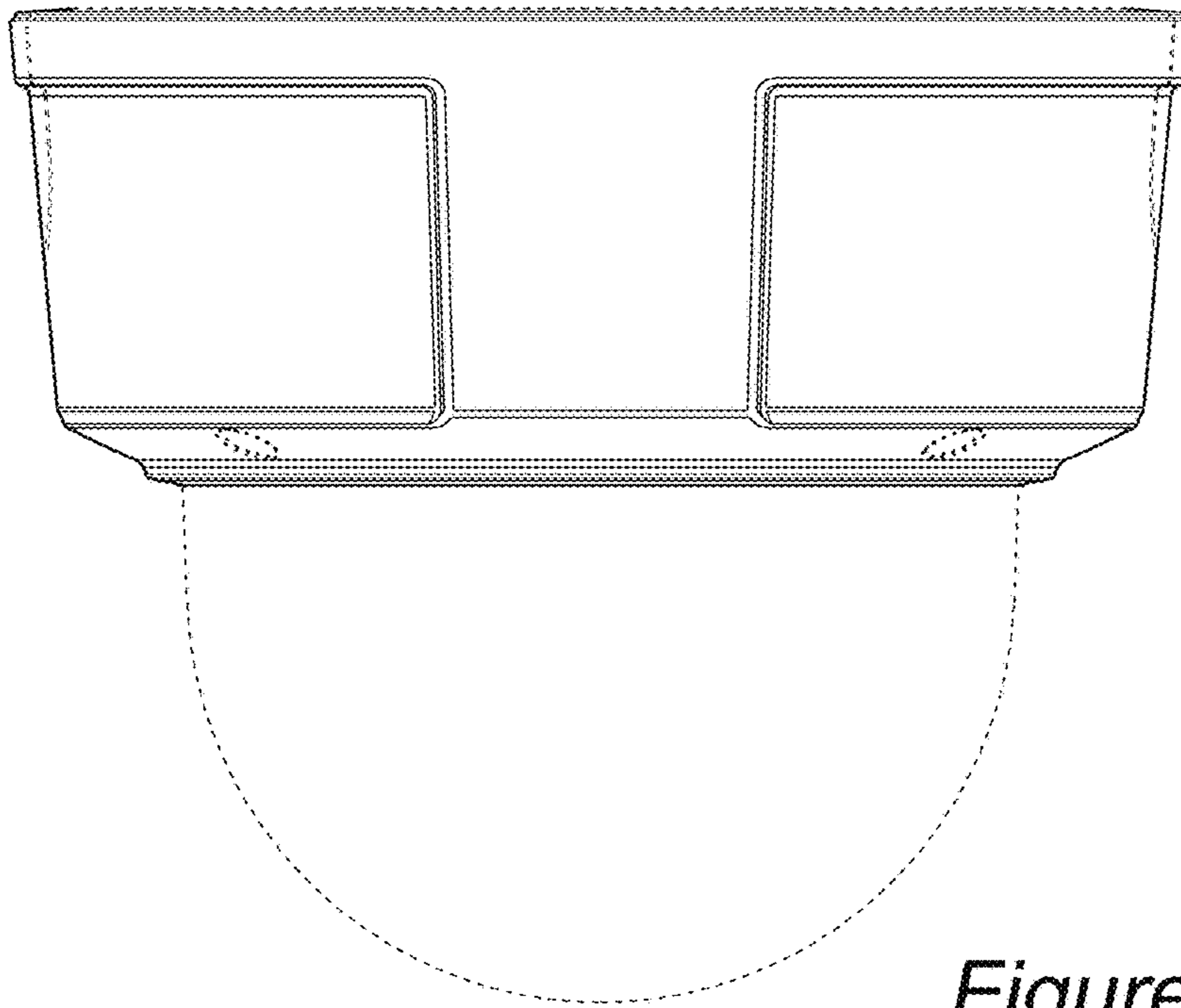


Figure 6

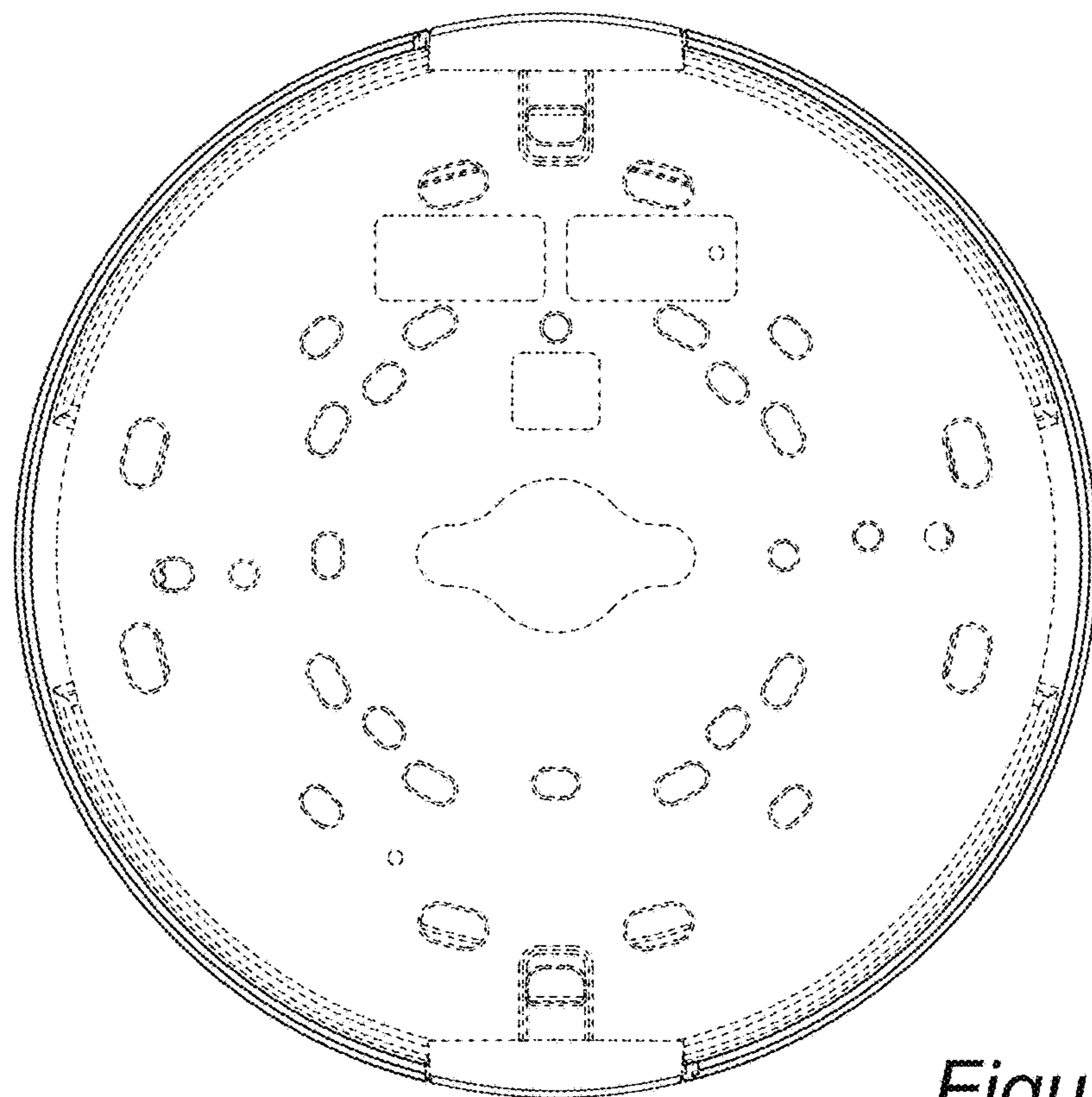


Figure 7