



US00D801406S

(12) **United States Design Patent**  
**Jeong et al.**

(10) **Patent No.:** **US D801,406 S**  
(45) **Date of Patent:** **\*\* Oct. 31, 2017**

(54) **SURVEILLANCE CAMERA**

13/19632; B60R 1/00; B60R 2300/105;  
F16M 11/04; F16M 13/00; Y02E 60/12

See application file for complete search history.

(71) Applicant: **Hanwha Techwin Co., Ltd.**,  
Changwon-si (KR)

(56) **References Cited**

(72) Inventors: **KwangSeok Jeong**, Changwon-si (KR);  
**HyunKyu Park**, Changwon-si (KR)

U.S. PATENT DOCUMENTS

(73) Assignee: **Hanwha Techwin Co., Ltd.**,  
Changwon-Si (KR)

D470,874	S	*	2/2003	Chiu	.....	D16/202
D564,559	S	*	3/2008	Stephens	.....	D16/208
D569,887	S	*	5/2008	Feng	.....	D16/202
D604,350	S	*	11/2009	Fujii	.....	D16/208
D641,645	S	*	7/2011	Suzuki	.....	D10/106.5
D727,769	S	*	4/2015	Scalisi	.....	D10/118.2
D729,859	S	*	5/2015	Shin	.....	D16/203
9,071,740	B1	*	6/2015	Duffy	.....	H04N 5/2252
D746,889	S	*	1/2016	Moon	.....	D16/203
D748,179	S	*	1/2016	Scalisi	.....	D10/118.2
D748,709	S	*	2/2016	Jeong	.....	D16/202

(Continued)

(\*\*) Term: **15 Years**

(21) Appl. No.: **29/554,832**

(22) Filed: **Feb. 16, 2016**

OTHER PUBLICATIONS

(30) **Foreign Application Priority Data**

Aug. 24, 2015 (KR) ..... 30-2015-0042566

Samsung SmartCam, announced Feb. 7, 2016 [online], [site visited Feb. 27, 2017], Available from Internet, URL: <<http://the-gadgeteer.com/2016/02/07/samsung-smartcam-hd-plus-review/>>.\*

(Continued)

(51) **LOC (10) Cl.** ..... **16-01**

(52) **U.S. Cl.**

USPC ..... **D16/203**

(58) **Field of Classification Search**

USPC ..... D16/200-220, 242, 243, 244; D26/24,  
D26/36, 72, 79, 123; D11/146;  
D10/104.1, 104.2, 106.1, 106.2, 106.5;  
D9/544, 558, 777, 691, 689, 516, 505,  
D9/764; D7/610; D23/223, 229, 255

CPC .. H04N 3/08; H04N 5/23248; H04N 5/23287;  
H04N 5/23258; H04N 5/2251; H04N  
5/2252; H04N 7/181; H04N 7/183; H04N  
7/18; H04N 2007/145; G01C 11/025;  
G03B 15/00; G03B 15/03; G03B 17/56;  
G03B 17/02; G03B 17/30; G03B 17/04;  
G03B 17/00; G03B 19/04; G03B 3/00;  
G08B 13/19619; G08B 13/1963; G08B

*Primary Examiner* — Barbara Fox

*Assistant Examiner* — Mary C Ramirez

(74) *Attorney, Agent, or Firm* — Sughrue Mion, PLLC

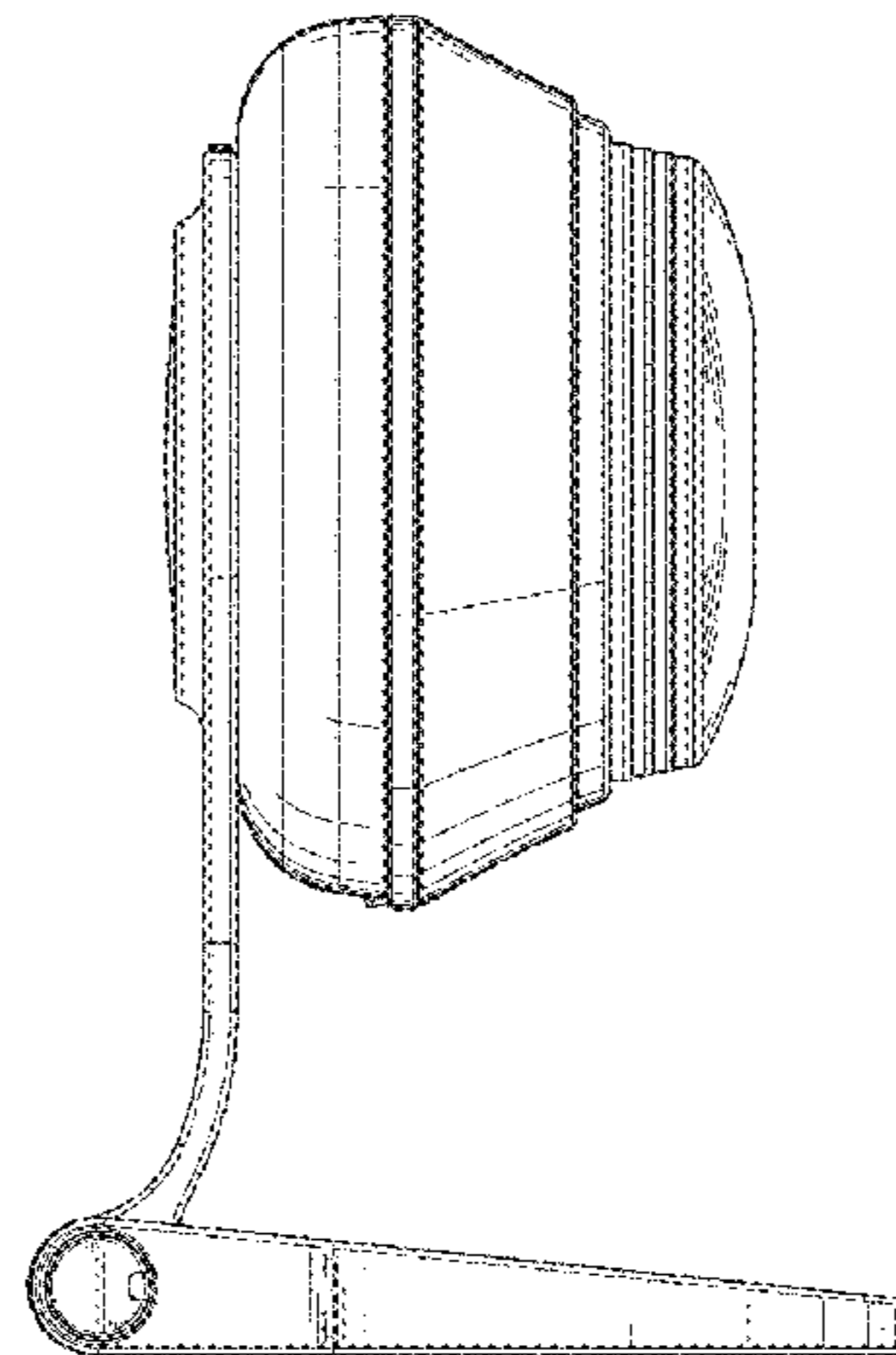
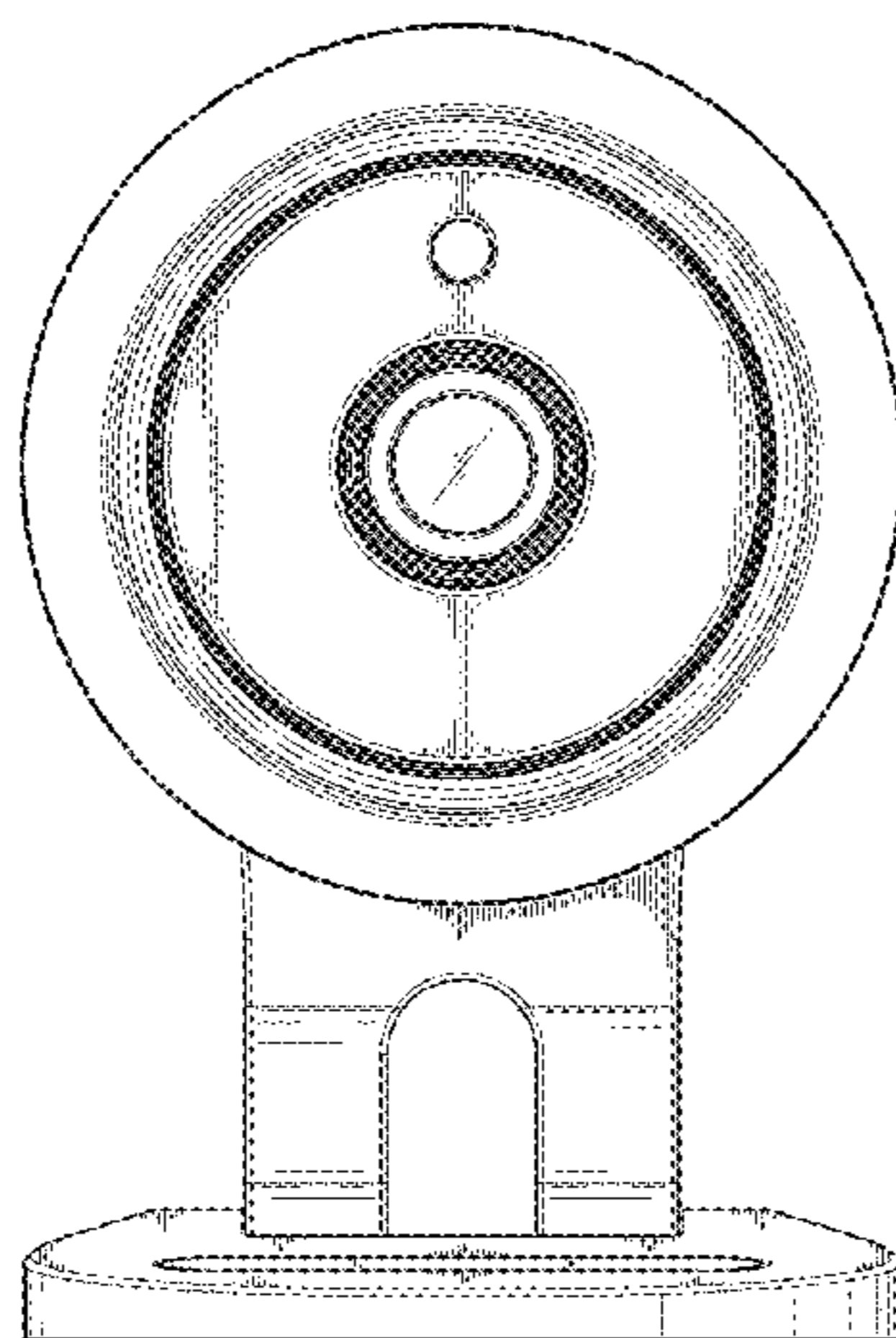
(57) **CLAIM**

The ornamental design for a surveillance camera, as shown and described.

**DESCRIPTION**

FIG. 1 is a front perspective view of the surveillance camera showing the new design;  
FIG. 2 is a front view thereof;  
FIG. 3 is a rear view thereof;  
FIG. 4 is a left side view thereof;  
FIG. 5 is a right side view thereof;  
FIG. 6 is a top view thereof; and,  
FIG. 7 is a bottom view thereof.

(Continued)



The broken lines depict portions of the surveillance camera that form no part of the claimed design.

**1 Claim, 7 Drawing Sheets**

(56)

**References Cited**

U.S. PATENT DOCUMENTS

D754,233 S \* 4/2016 Du ..... D16/211  
9,388,934 B1 \* 7/2016 Kilgore ..... H04N 5/2251  
D765,756 S \* 9/2016 Liu ..... D16/203  
2007/0222888 A1 \* 9/2007 Xiao ..... H04N 5/2252  
348/373  
2016/0041456 A1 \* 2/2016 Kamiya ..... G03B 17/04  
396/56  
2016/0363837 A1 \* 12/2016 Kilgore ..... F16M 11/2064

OTHER PUBLICATIONS

Dropcam Pro, announced Nov. 21, 2013 [online], [site visited Feb. 27, 2017], Available from Internet, URL: <<http://the-gadgeteer.com/2013/11/21/dropcam-pro-review/>>.\*

SNH-V6414BN, 2016 [online], [site visited Feb. 27, 2017], Available from Internet, URL: <[http://security.hanwhatechwin.com/product/product\\_view.asp?pagesize=8&sort=&dscYN=N&cid=197&clvl=0&p.=1&idx=8428#img2](http://security.hanwhatechwin.com/product/product_view.asp?pagesize=8&sort=&dscYN=N&cid=197&clvl=0&p.=1&idx=8428#img2)>.\*

\* cited by examiner

FIG. 1

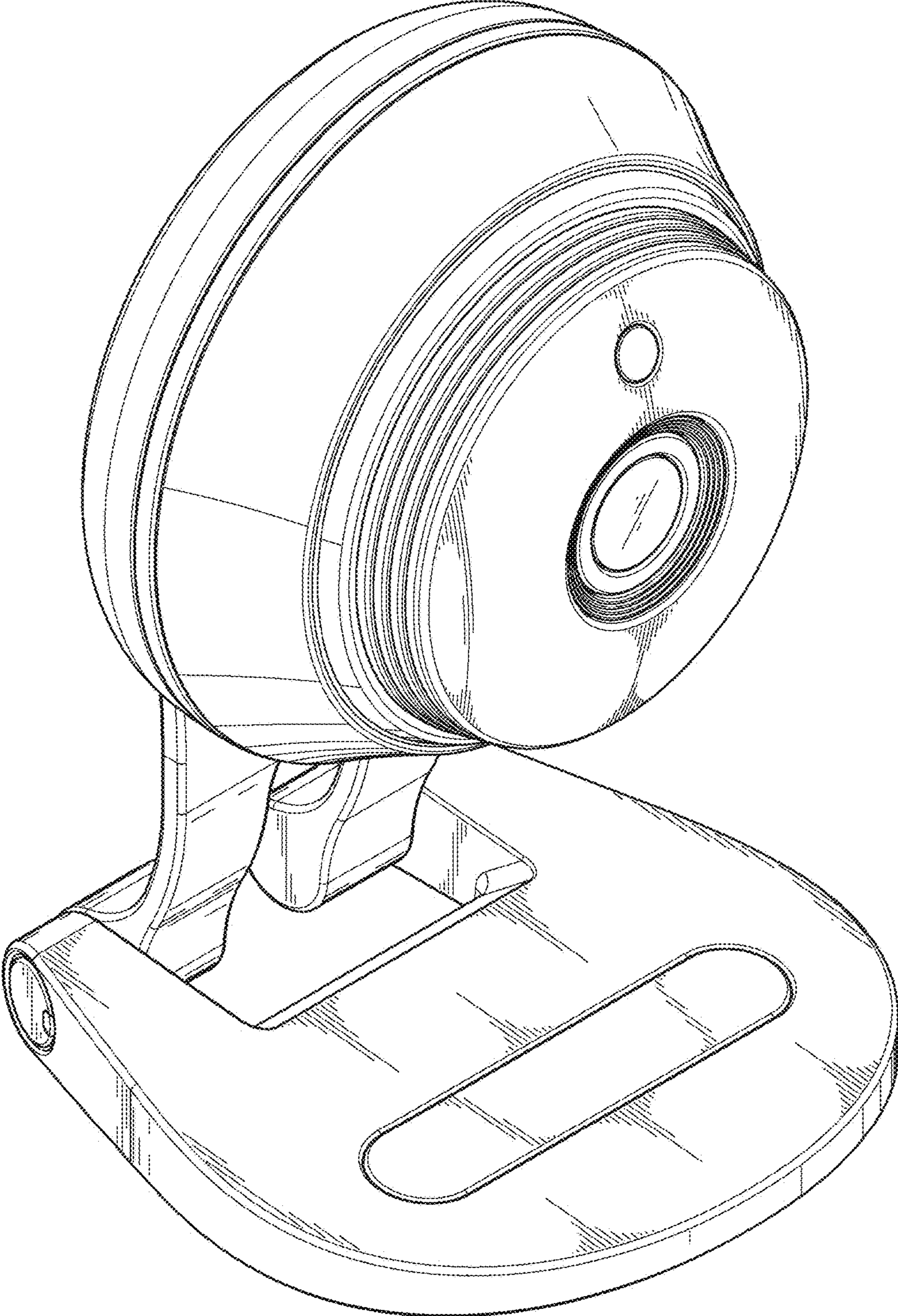


FIG. 2

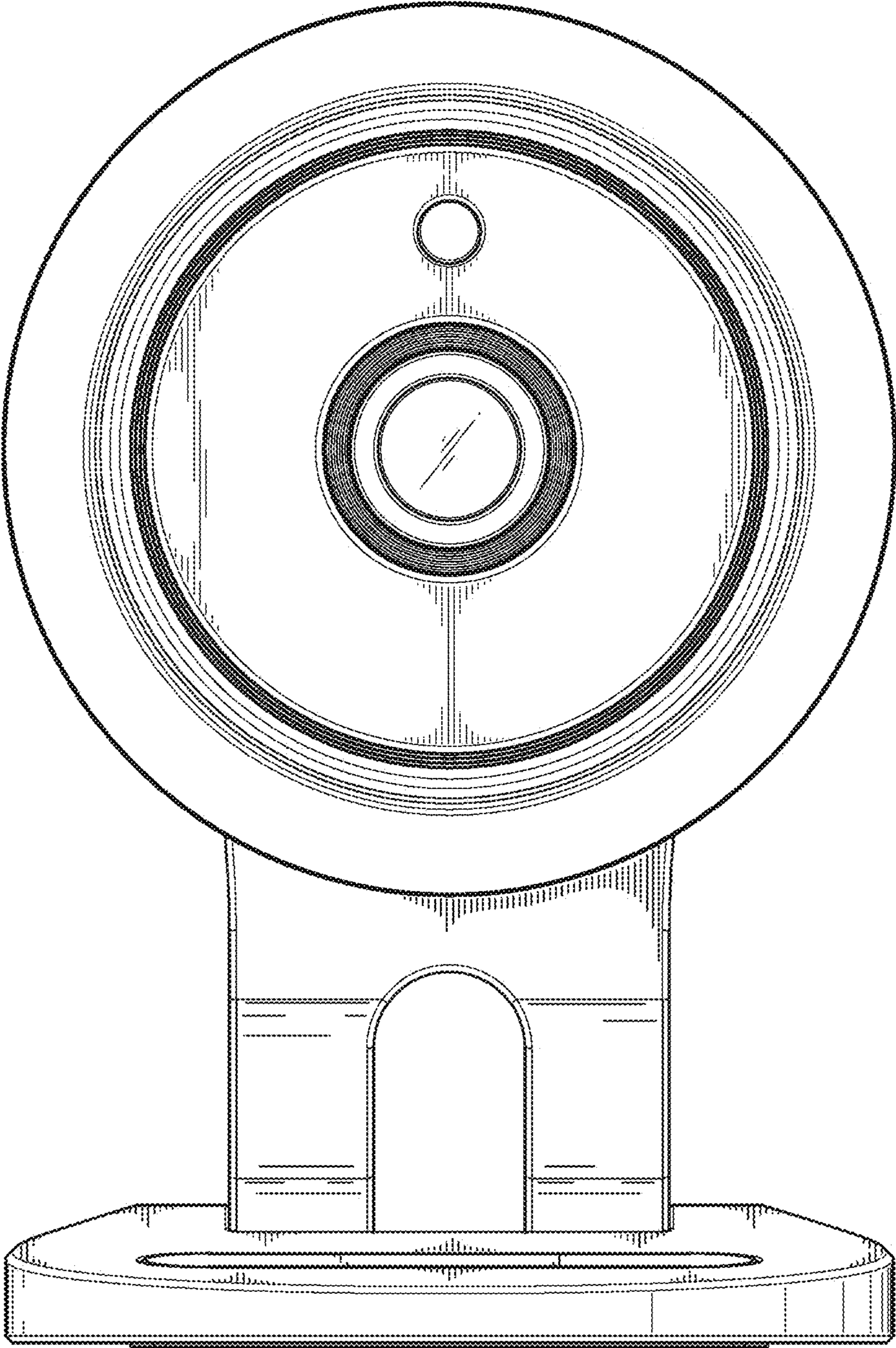


FIG. 3

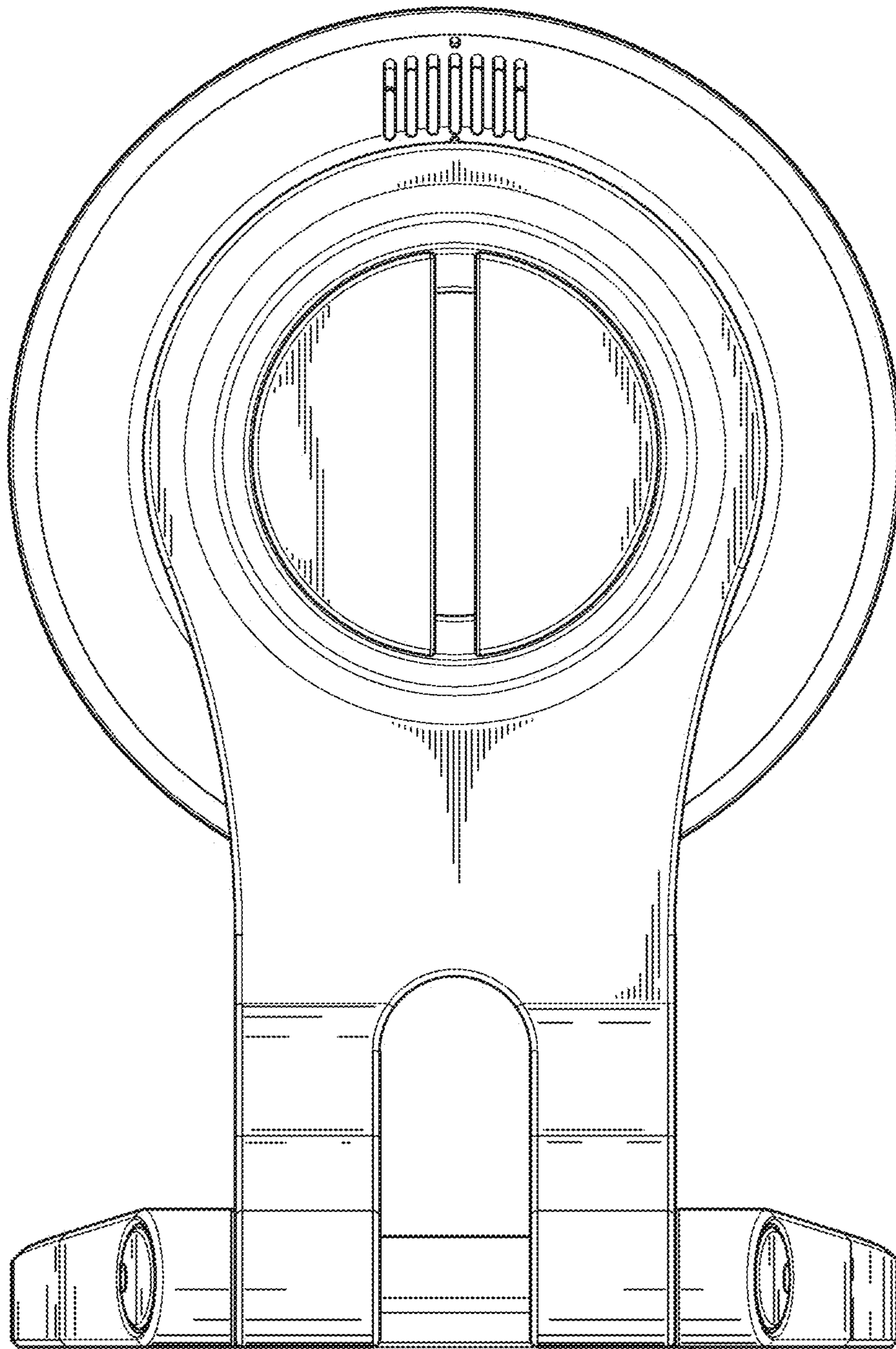


FIG. 4

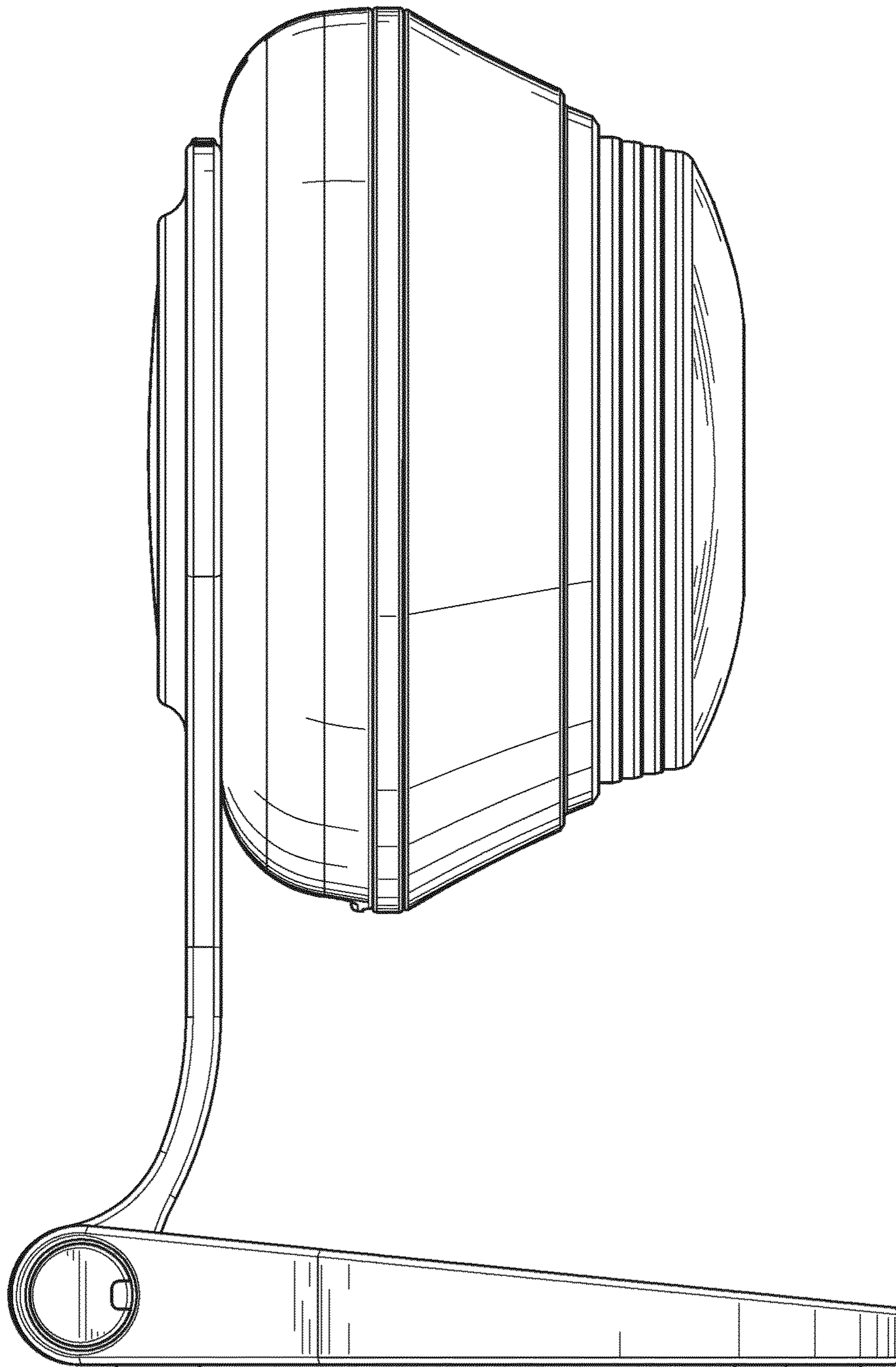


FIG. 5

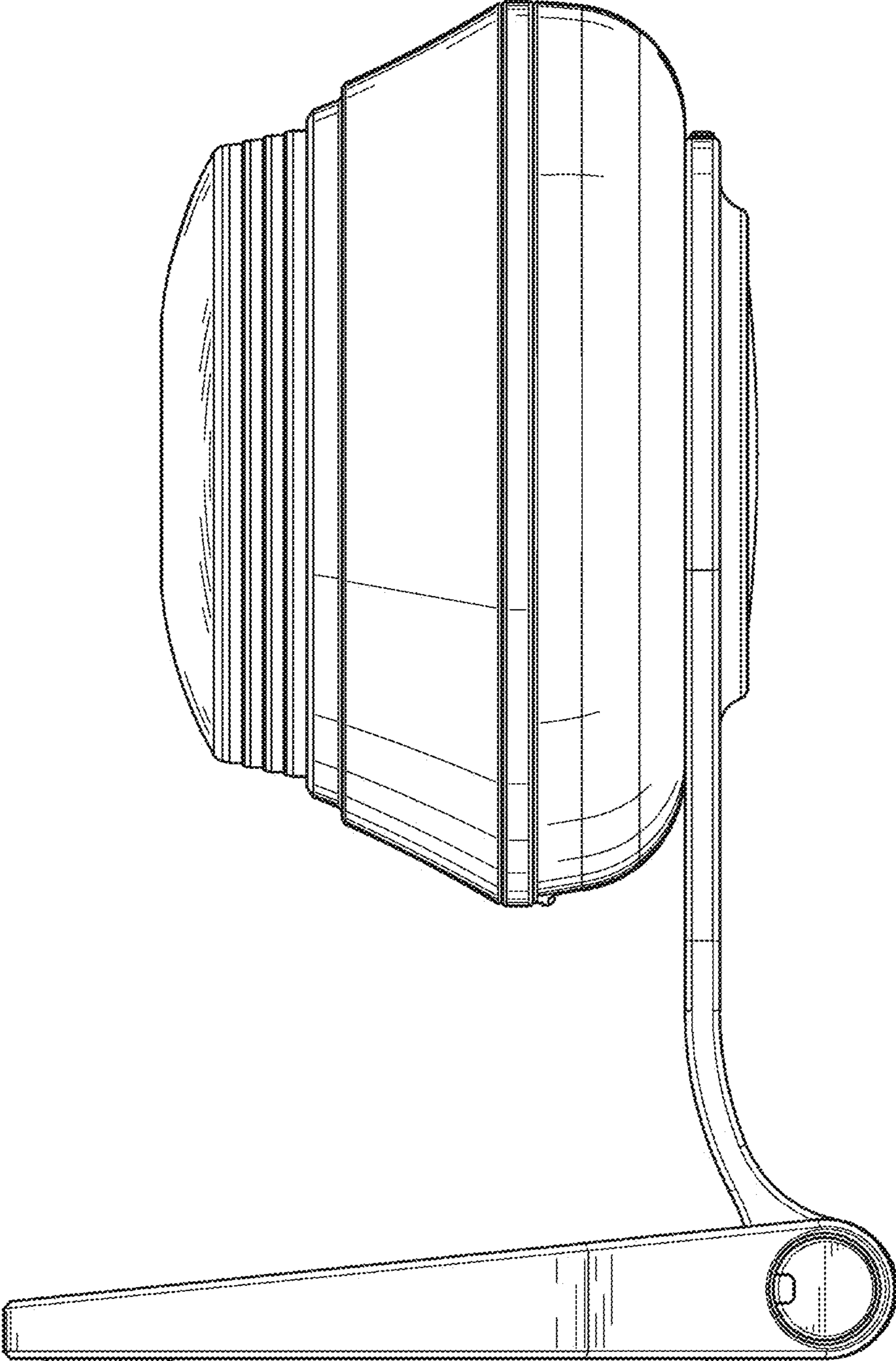


FIG. 6

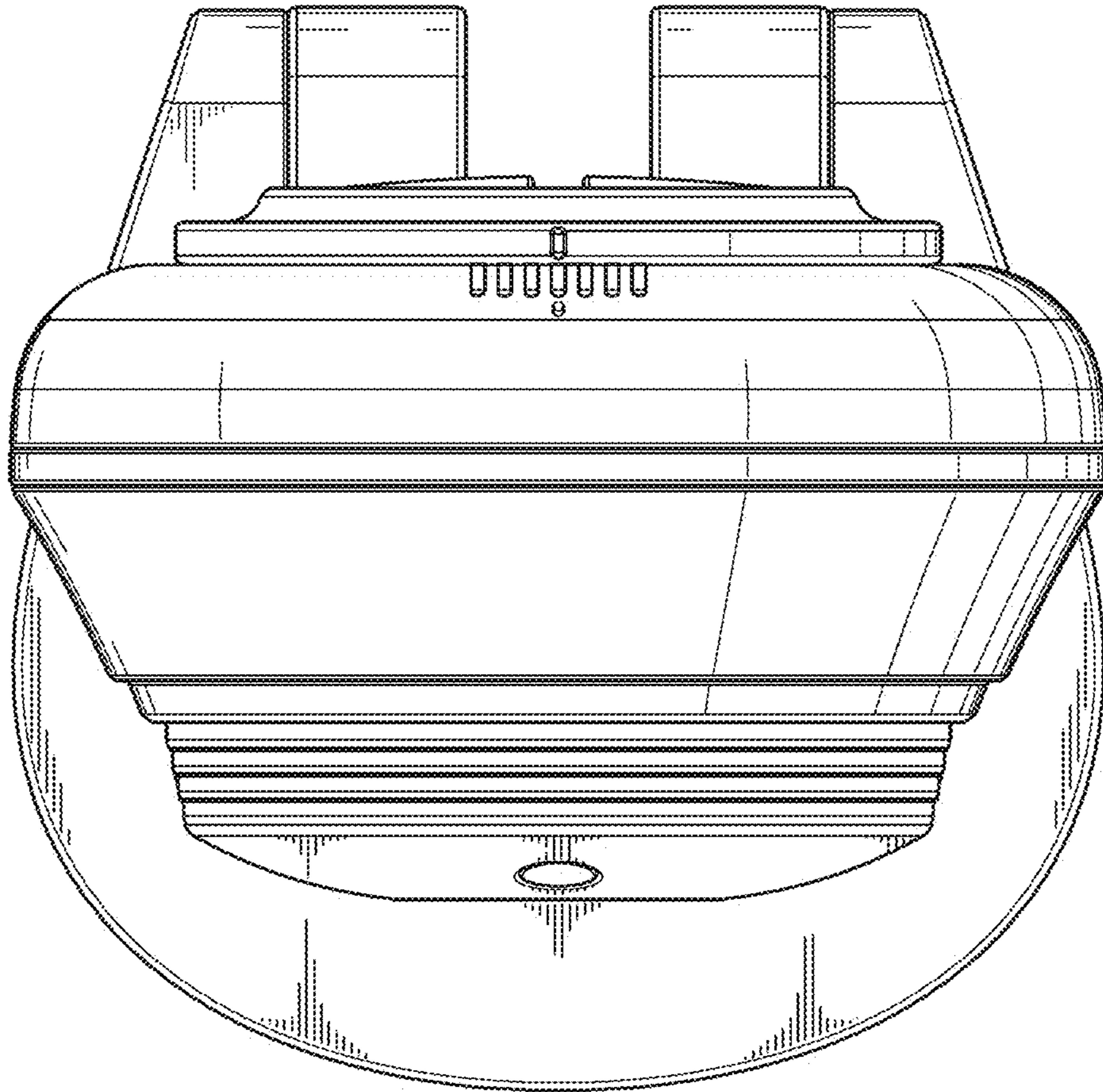




FIG. 7

