

US00D801405S

(12) **United States Design Patent**  
**Shih et al.**

(10) **Patent No.:** **US D801,405 S**

(45) **Date of Patent:** **\*\* Oct. 31, 2017**

(54) **SURVEILLANCE CAMERA**

(71) Applicant: **VIVOTEK INC.**, New Taipei (TW)

(72) Inventors: **Li-Shan Shih**, New Taipei (TW);  
**Chih-Chung Wang**, New Taipei (TW);  
**Yi-Hsin Yeh**, New Taipei (TW)

(73) Assignee: **VIVOTEK INC.**, New Taipei (TW)

(\*\*) Term: **15 Years**

(21) Appl. No.: **29/538,508**

(22) Filed: **Sep. 3, 2015**

(30) **Foreign Application Priority Data**

Mar. 11, 2015 (TW) ..... 104301236

(51) **LOC (10) Cl.** ..... **16-01**

(52) **U.S. Cl.**  
USPC ..... **D16/203**

(58) **Field of Classification Search**

USPC ..... D16/200, 202–208, 210, 218, 219, 242;  
348/143, 148, 151, 373–376; 396/419,  
396/427, 535, 539–541

CPC ..... G03B 17/02; G03B 19/04; G03B 17/56;  
G03B 17/04; G03B 15/03; H04N 5/2251;  
H04N 5/2252; H04N 5/2253; H04N  
5/2254; H04N 7/181; H04N 7/183; H04N  
7/18; G08B 13/1963; G08B 13/19619;  
G08B 13/19632; F16M 11/04; F16M  
13/00

See application file for complete search history.

(56) **References Cited**

U.S. PATENT DOCUMENTS

4,160,999 A \* 7/1979 Claggett ..... G08B 13/19619  
348/151  
5,023,725 A \* 6/1991 McCutchen ..... G03B 37/04  
348/264

D364,632 S \* 11/1995 Nakashima ..... D16/202  
D518,080 S \* 3/2006 Uehara ..... D16/202  
D715,661 S \* 10/2014 McKaughan ..... D10/53  
D729,296 S \* 5/2015 Shelton ..... D16/202  
D732,098 S \* 6/2015 Choi ..... D16/202  
D734,380 S \* 7/2015 Tzarnotzky ..... D16/207  
D734,801 S \* 7/2015 Yang ..... D16/202  
D742,954 S \* 11/2015 Simonelli ..... D16/203  
D743,475 S \* 11/2015 Cover ..... D16/203  
D760,310 S \* 6/2016 Pacurariu ..... D16/202  
2013/0215322 A1 \* 8/2013 Haler ..... H04N 5/232  
348/373

\* cited by examiner

*Primary Examiner* — Philip S Hyder

*Assistant Examiner* — Ramzi Almatrahi

(74) *Attorney, Agent, or Firm* — Winston Hsu

(57) **CLAIM**

The ornamental design for a surveillance camera, as shown and described.

**DESCRIPTION**

FIG. 1 is a front, right, and top perspective view of a surveillance camera showing our new design;

FIG. 2 is a front view thereof;

FIG. 3 is a rear view thereof;

FIG. 4 is a left side view thereof;

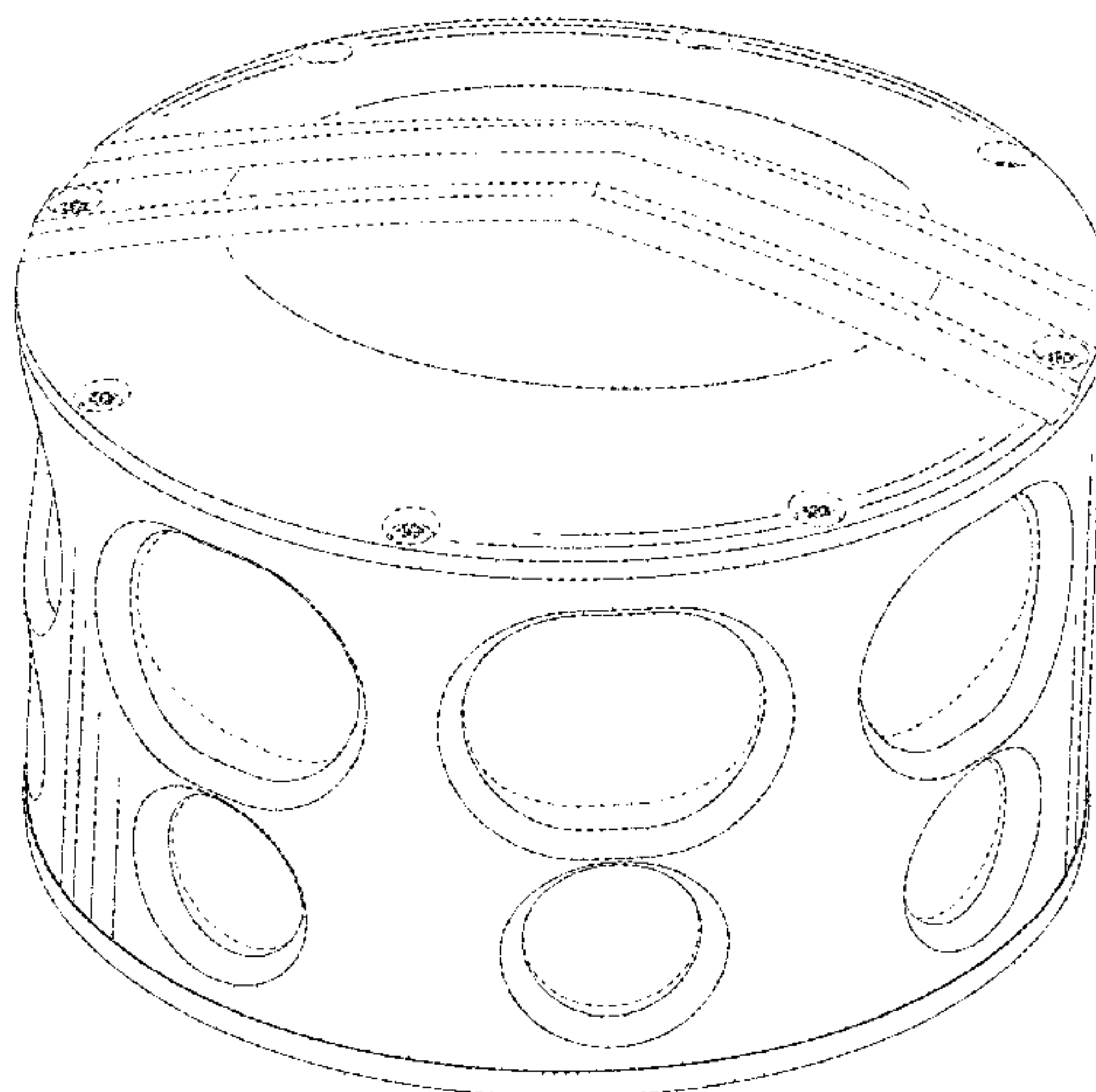
FIG. 5 is a right side view thereof;

FIG. 6 is a top view thereof; and,

FIG. 7 is a bottom view thereof.

The broken lines depict portions of the surveillance camera in which the design is embodied that form no part of the claimed design.

**1 Claim, 7 Drawing Sheets**



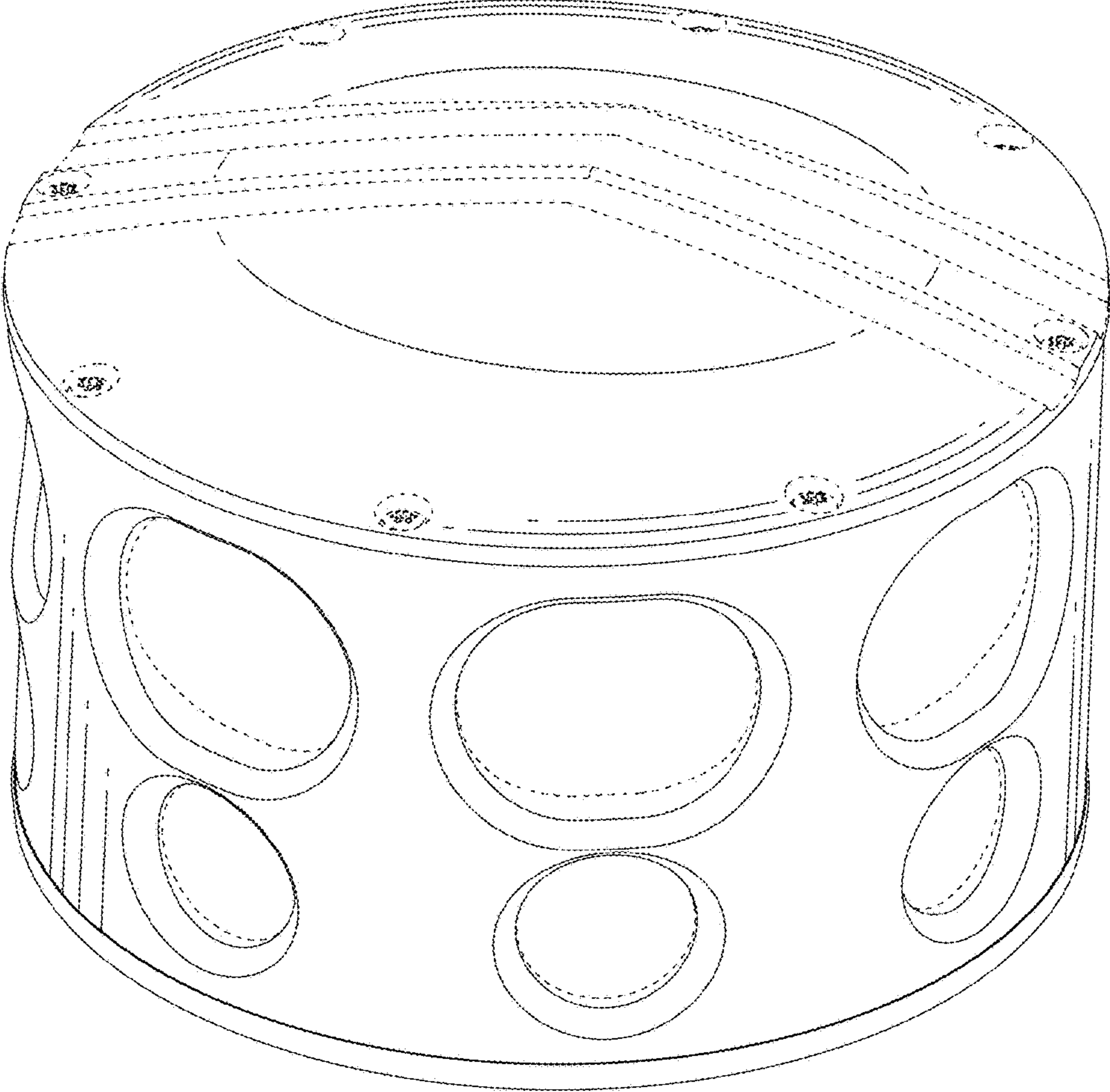


FIG. 1

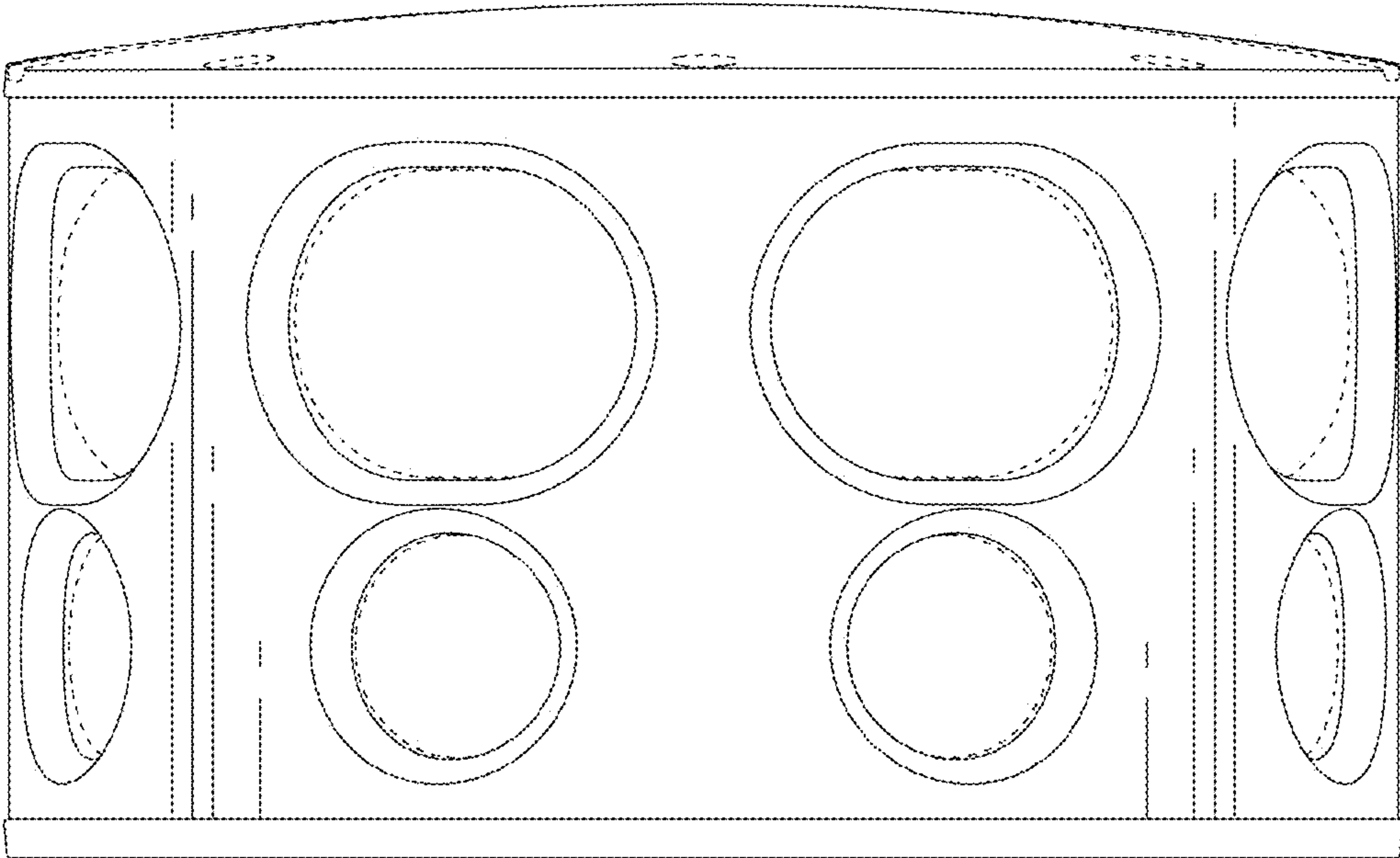


FIG. 2

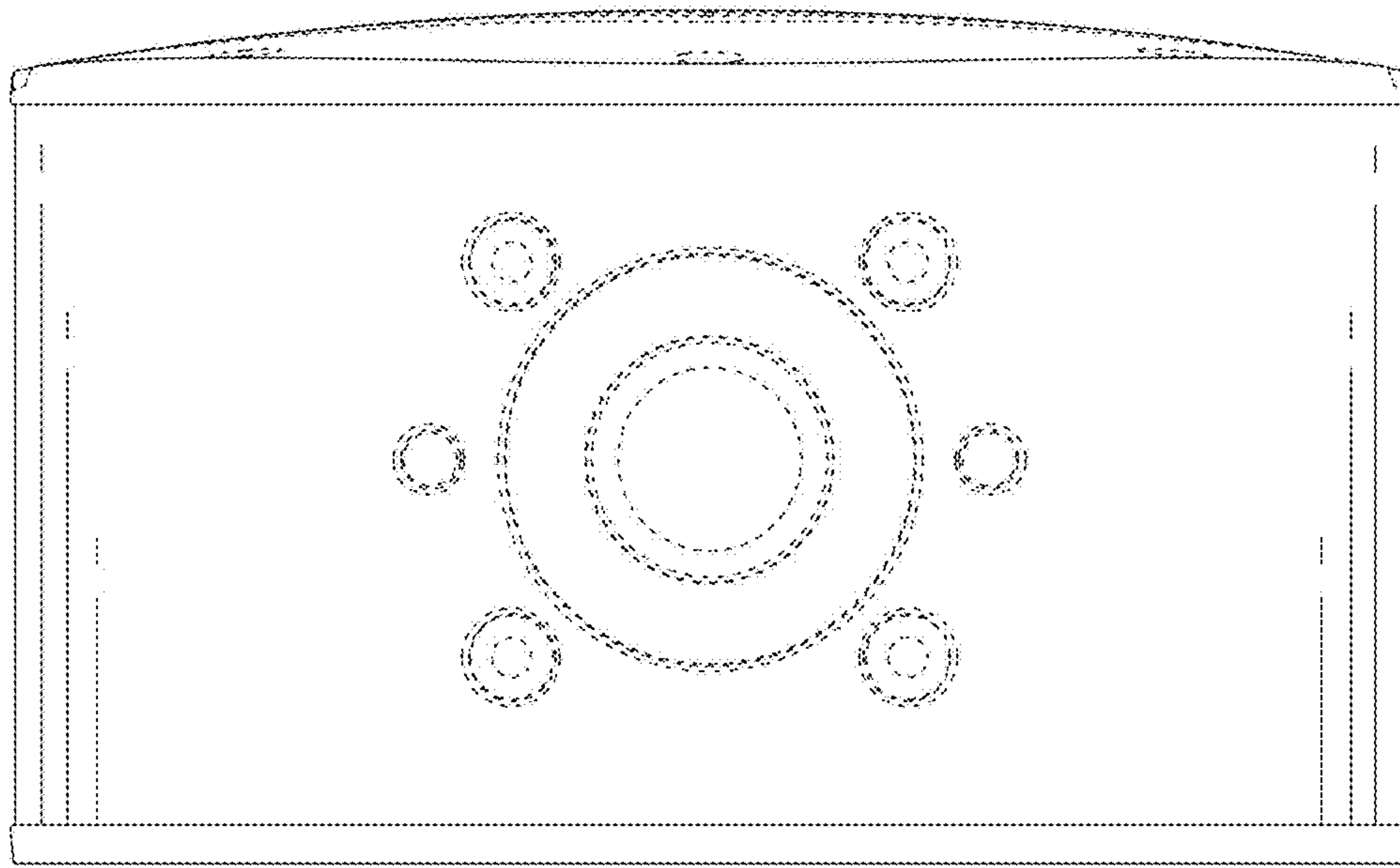


FIG. 3

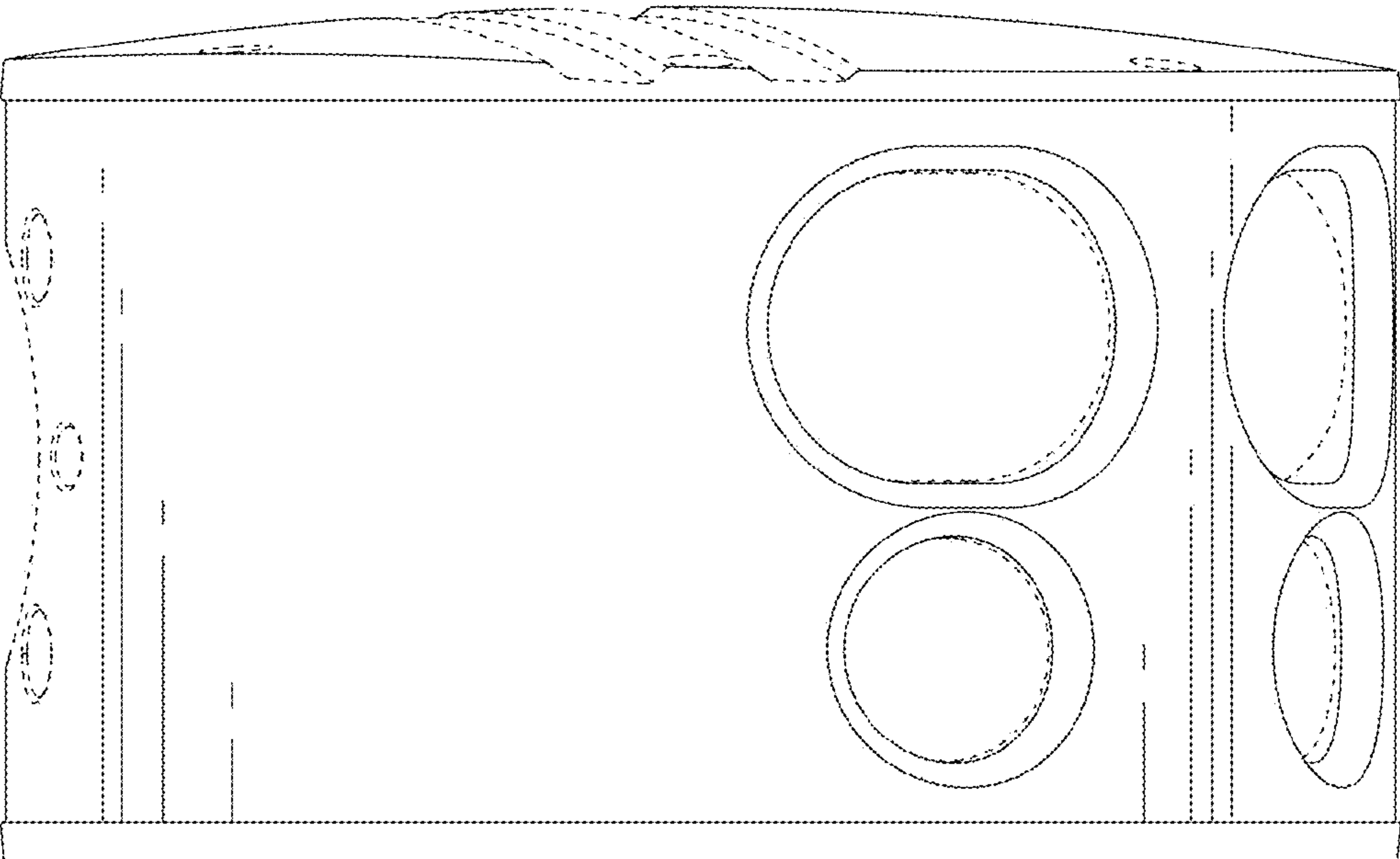


FIG. 4



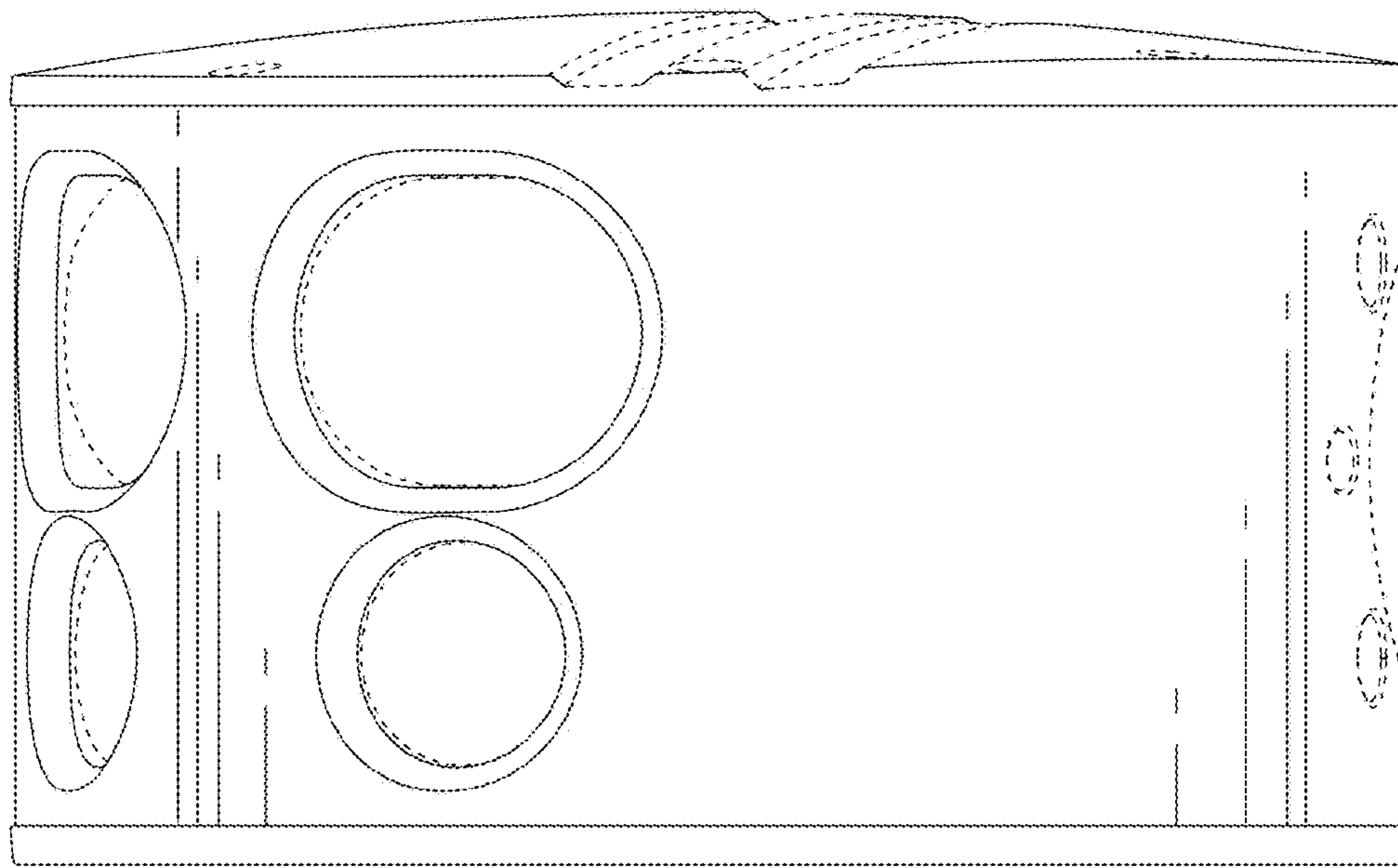


FIG. 5

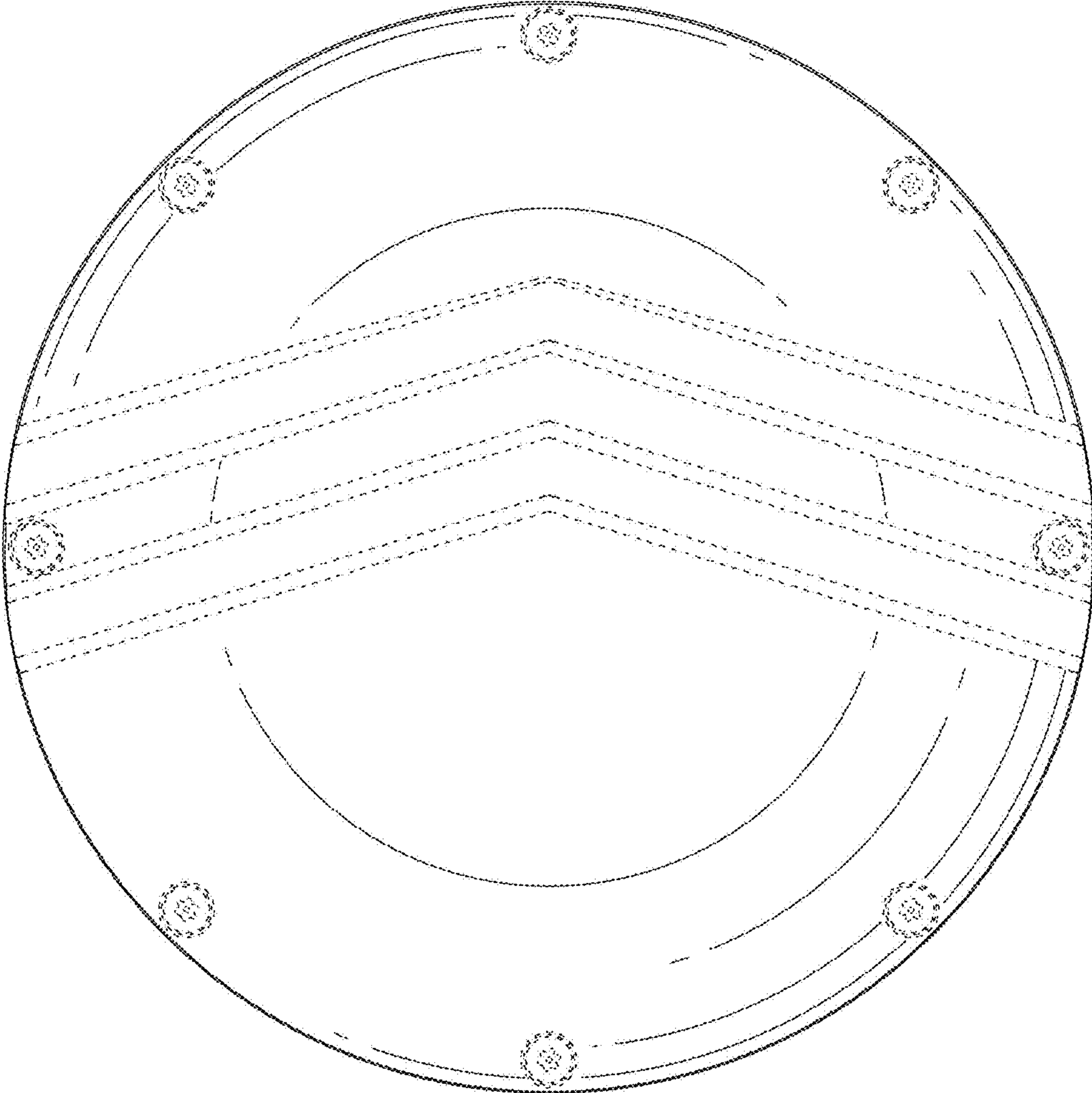


FIG. 6

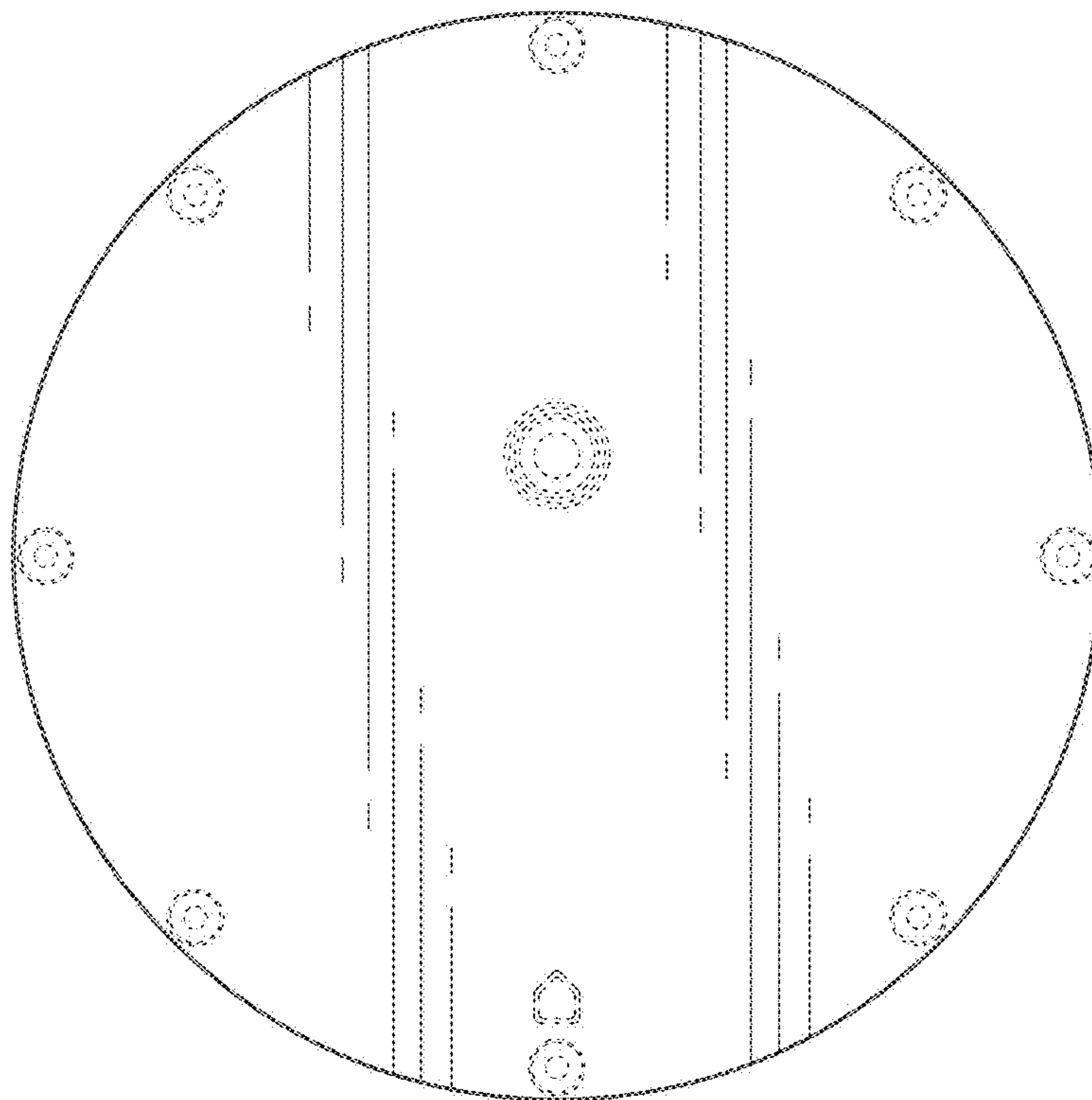


FIG. 7