



US00D801404S

(12) **United States Design Patent**  
**Lee**

(10) **Patent No.:** **US D801,404 S**  
(45) **Date of Patent:** **\*\* Oct. 31, 2017**

(54) **CAMERA MODULE**

(71) Applicant: **WISTRON CORPORATION**, New Taipei (TW)

(72) Inventor: **Wei-Kuo Lee**, New Taipei (TW)

(73) Assignee: **Wistron Corporation**, New Taipei (TW)

(\*\*) Term: **15 Years**

(21) Appl. No.: **29/554,197**

(22) Filed: **Feb. 9, 2016**

(30) **Foreign Application Priority Data**

Nov. 9, 2015 (TW) ..... 104306254

(51) **LOC (10) Cl.** ..... **16-01**

(52) **U.S. Cl.**  
USPC ..... **D16/200**

(58) **Field of Classification Search**

USPC ..... D3/267, 268, 270, 271.1; D10/49, 52;  
D14/204, 206, 215, 217, 221, 222, 239,  
D14/240, 252, 253, 299; D16/132-136,  
D16/200, 202, 205, 206, 208, 209, 211,  
D16/218, 219, 220; D21/514; D26/85  
CPC ..... G03B 17/02; G03B 19/04; G03B 17/56;  
G03B 17/04; G03B 15/03; G03B 17/14;  
H04N 5/2251; H04N 5/2252; H04N  
5/2253; H04N 5/2254; G02B 7/02; G02B  
7/04; G02B 7/14  
See application file for complete search history.

(56) **References Cited**

**U.S. PATENT DOCUMENTS**

D389,500 S \* 1/1998 Krekelberg ..... D16/202  
D394,868 S \* 6/1998 Lee ..... D16/202  
D401,603 S \* 11/1998 Hasegawa ..... D16/202  
5,880,783 A \* 3/1999 Ma ..... H04N 7/142  
348/373  
D410,480 S \* 6/1999 Takagi ..... D16/202

D429,269 S \* 8/2000 Renkis ..... D16/202  
D429,743 S \* 8/2000 Renkis ..... D16/202  
D454,900 S \* 3/2002 Tsang ..... D16/202  
D455,767 S \* 4/2002 Tsang ..... D16/202  
D463,468 S \* 9/2002 Fujita ..... D16/202  
D467,954 S \* 12/2002 Suzuki ..... D14/240  
D471,927 S \* 3/2003 Kim ..... D14/240

(Continued)

**OTHER PUBLICATIONS**

Eye-plug by Weeview, posted at Facebook.com, posting date Feb. 6, 2016, [online], [site visited Mar. 30, 2017]. Available from Internet, <URL: <https://www.facebook.com/eyeplug/photos/a.1007772039268824.1073741825.1007771599268868/1021202017925826/?type=3&theater>>.\*

*Primary Examiner* — Susan E Krakower

*Assistant Examiner* — L. A. Grabenstetter

(74) *Attorney, Agent, or Firm* — Muncy, Geissler, Olds & Lowe, P.C.

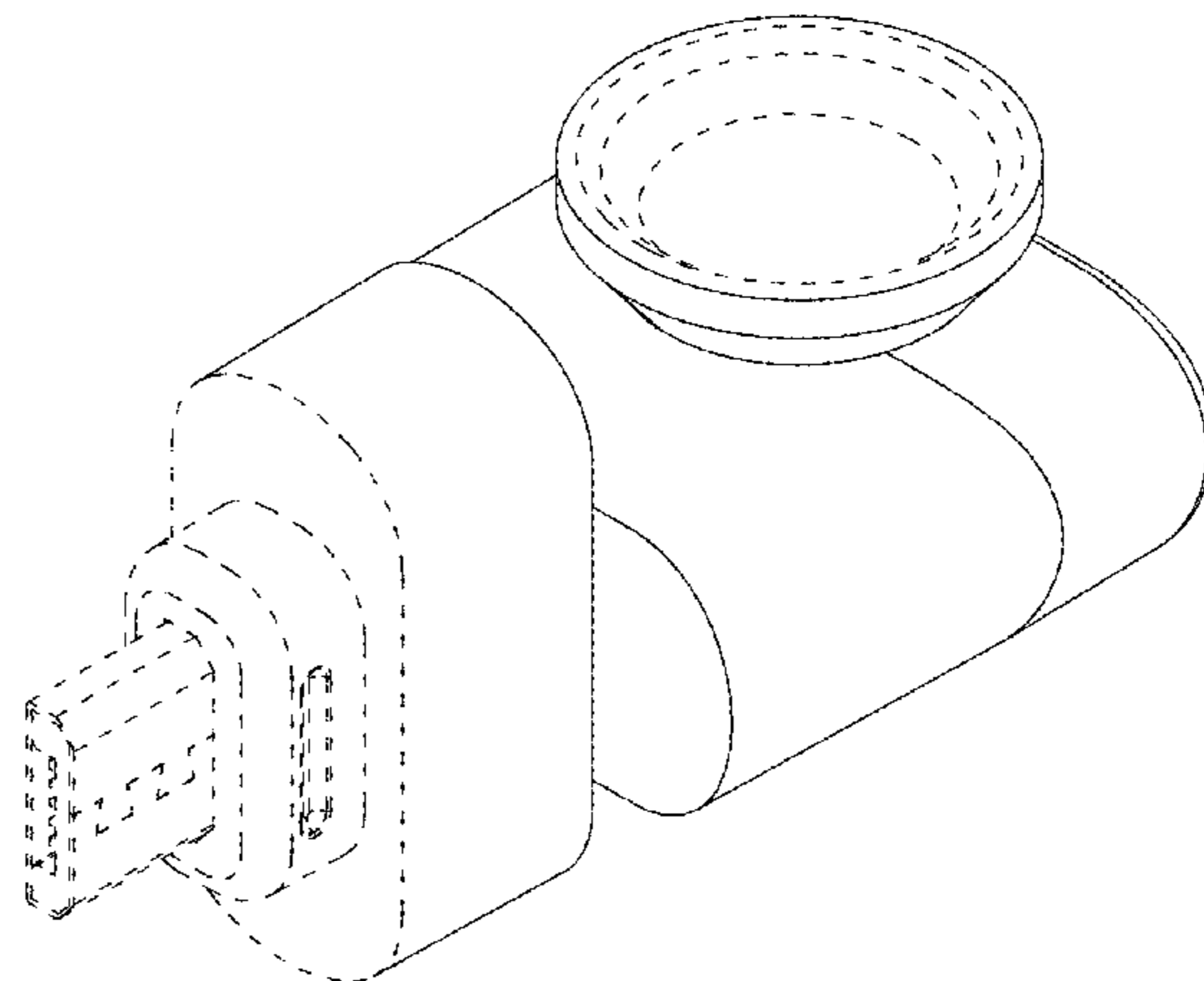
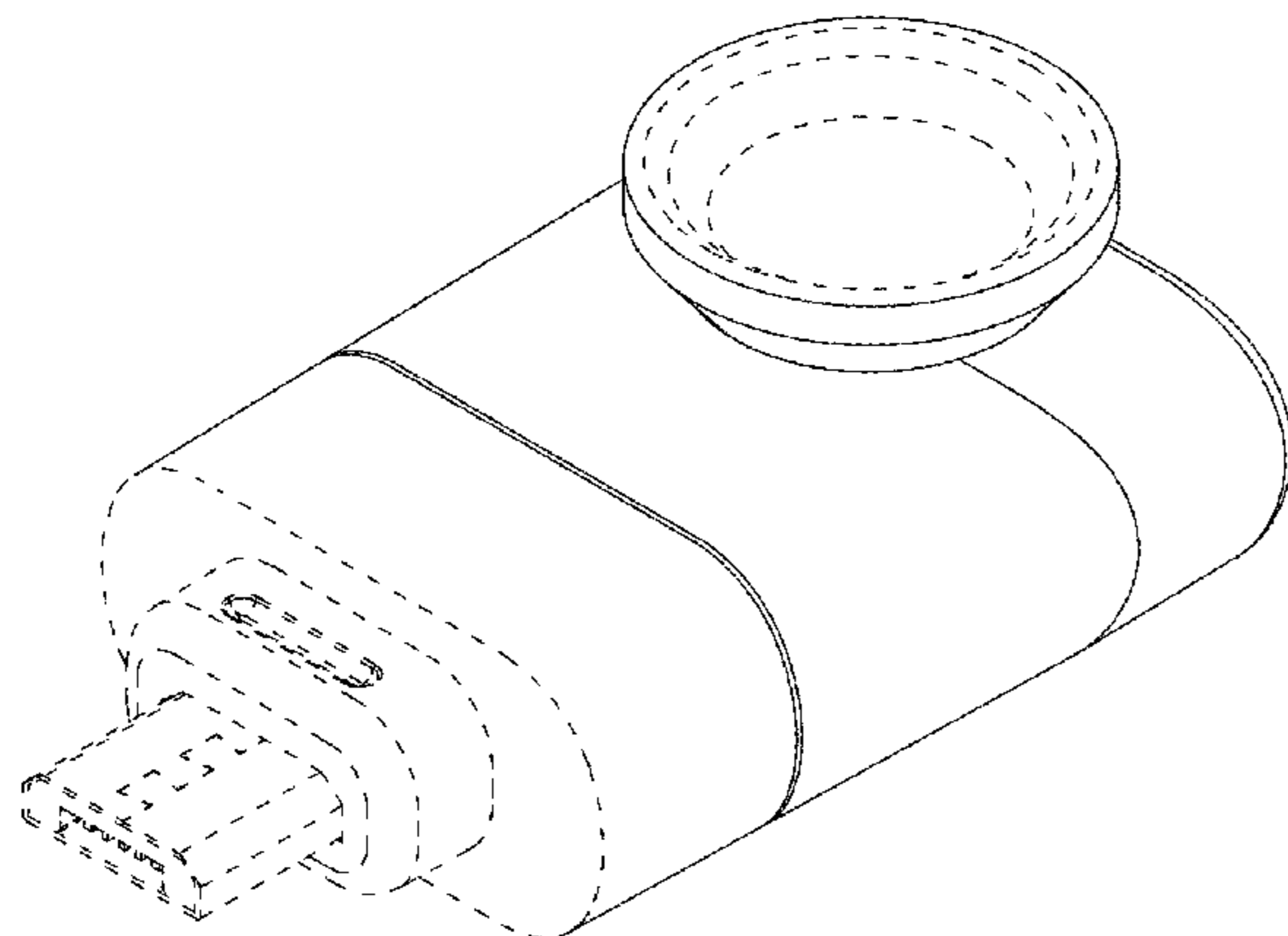
(57) **CLAIM**

The ornamental design for a camera module, as shown and described.

**DESCRIPTION**

FIG. 1 is a perspective view of a camera module in accordance with the design;  
FIG. 2 is a front view thereof;  
FIG. 3 is a rear view thereof;  
FIG. 4 is a left view thereof;  
FIG. 5 is a right view thereof;  
FIG. 6 is a top view thereof;  
FIG. 7 is a bottom view thereof; and,  
FIG. 8 is a second perspective view thereof, shown in a partially rotated condition.  
The broken lines depicting a lens and USB connector represent unclaimed portions of the camera module.

**1 Claim, 7 Drawing Sheets**



(56)

**References Cited**

## U.S. PATENT DOCUMENTS

6,587,151 B1 \* 7/2003 Cipolla ..... G06F 1/1607  
348/207.1  
D564,559 S \* 3/2008 Stephens ..... D16/208  
D618,226 S \* 6/2010 Tong ..... D13/133  
D626,950 S \* 11/2010 Roman ..... D14/240  
D638,457 S \* 5/2011 Oikawa ..... D16/202  
D678,379 S \* 3/2013 O'Neill ..... D14/511  
2003/0137598 A1 \* 7/2003 Chou ..... H04N 5/2251  
348/373  
2006/0170817 A1 \* 8/2006 Wu ..... H04N 5/2251  
348/373  
2008/0122937 A1 \* 5/2008 Lin ..... F16M 11/048  
348/207.99  
2010/0085474 A1 \* 4/2010 Morita ..... H04N 5/2251  
348/374  
2011/0058099 A1 \* 3/2011 Lai ..... H04N 5/2251  
348/373  
2012/0262621 A1 \* 10/2012 Sato ..... G02B 13/06  
348/335  
2013/0039069 A1 \* 2/2013 Zeng ..... F21L 4/005  
362/278  
2013/0107109 A1 \* 5/2013 Yang ..... G06F 1/1632  
348/373

\* cited by examiner

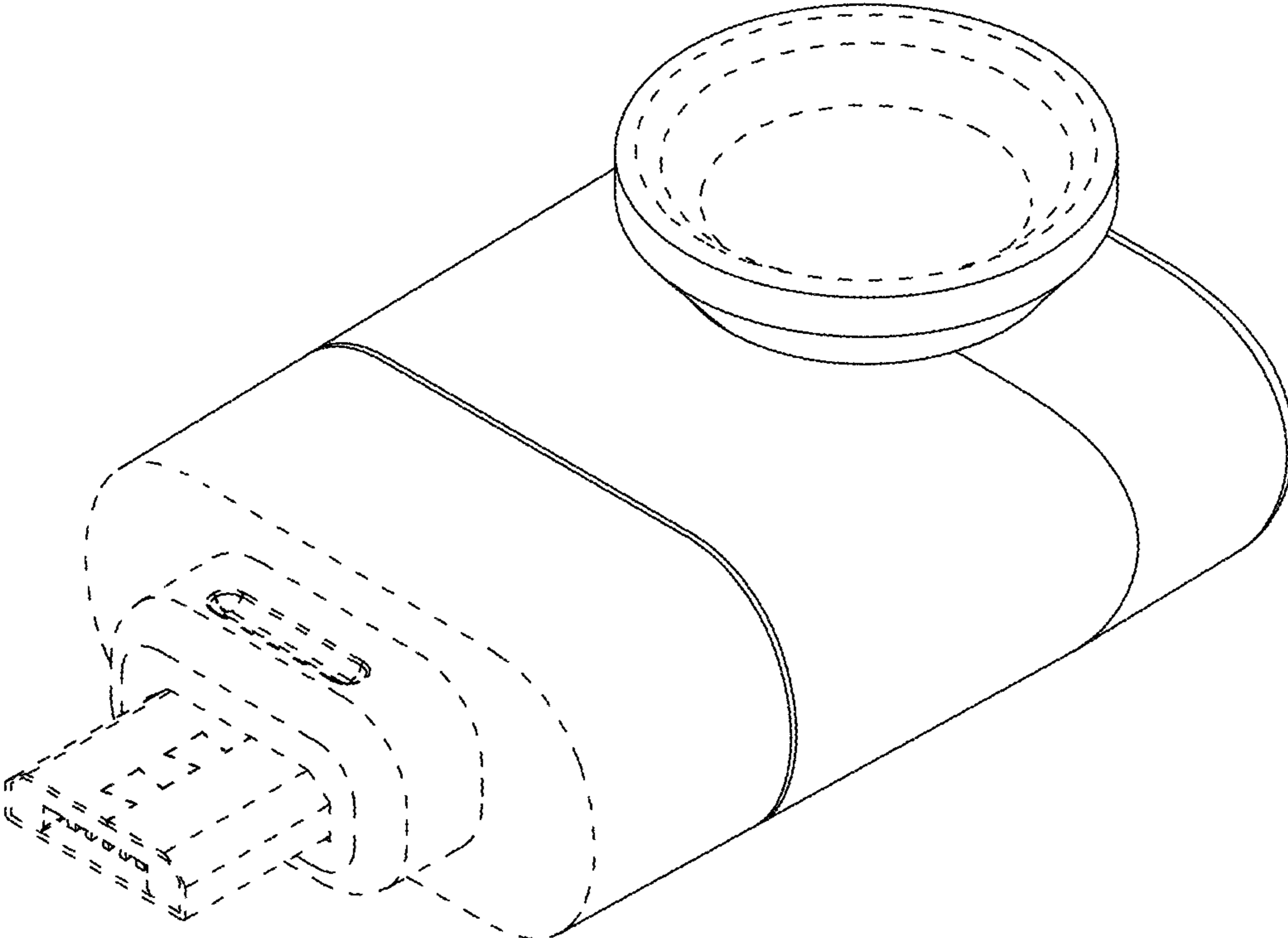


FIG. 1

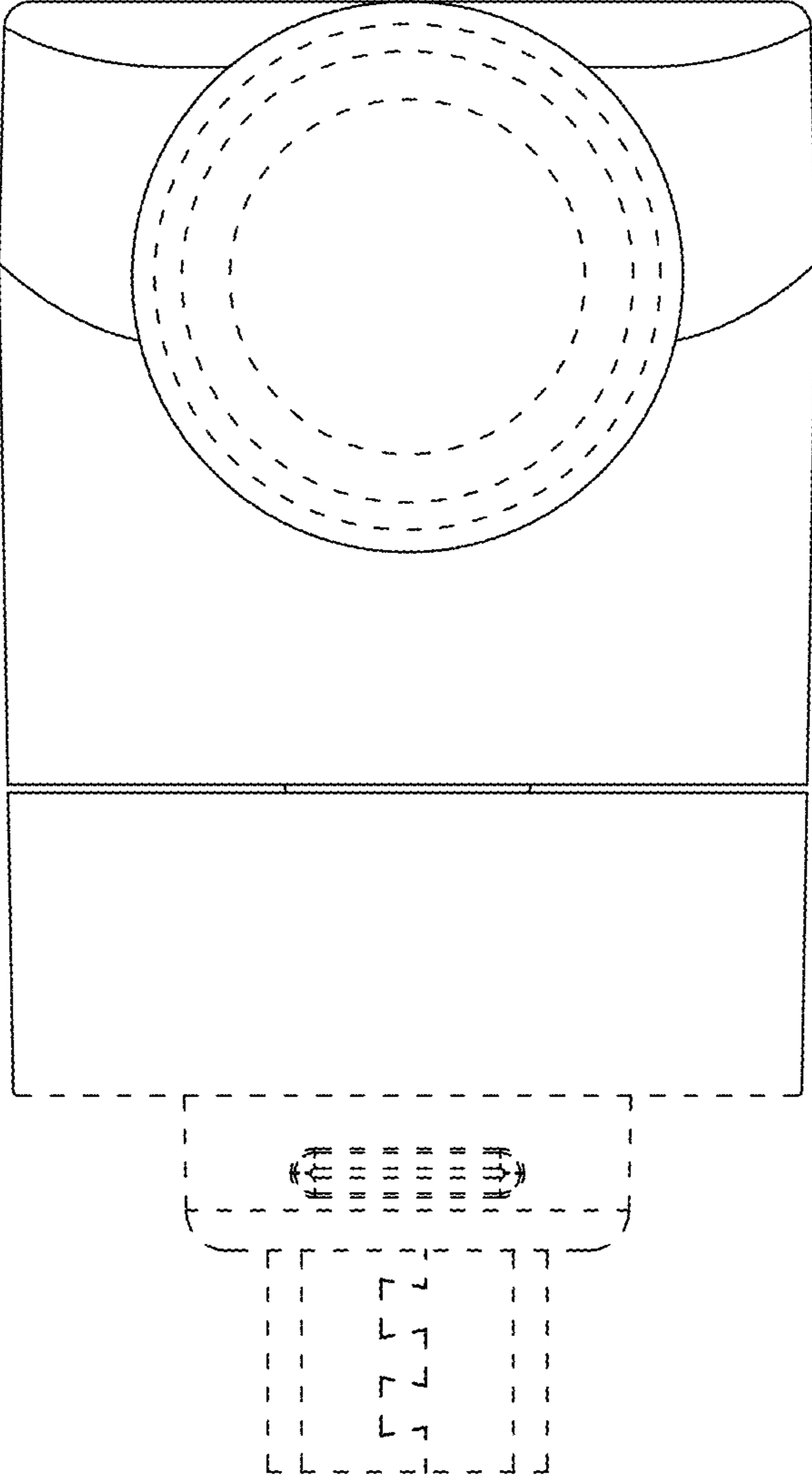


FIG. 2

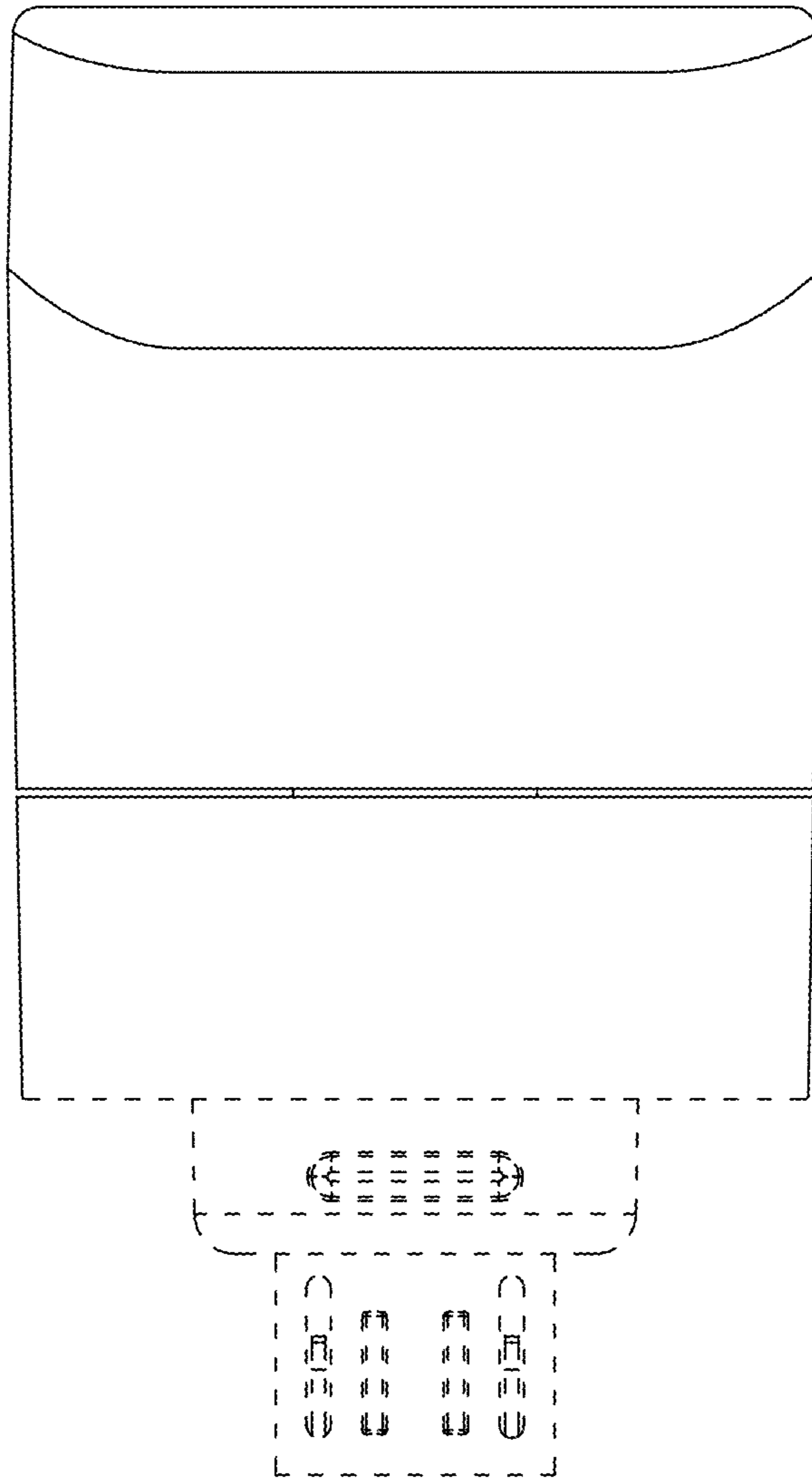


FIG. 3

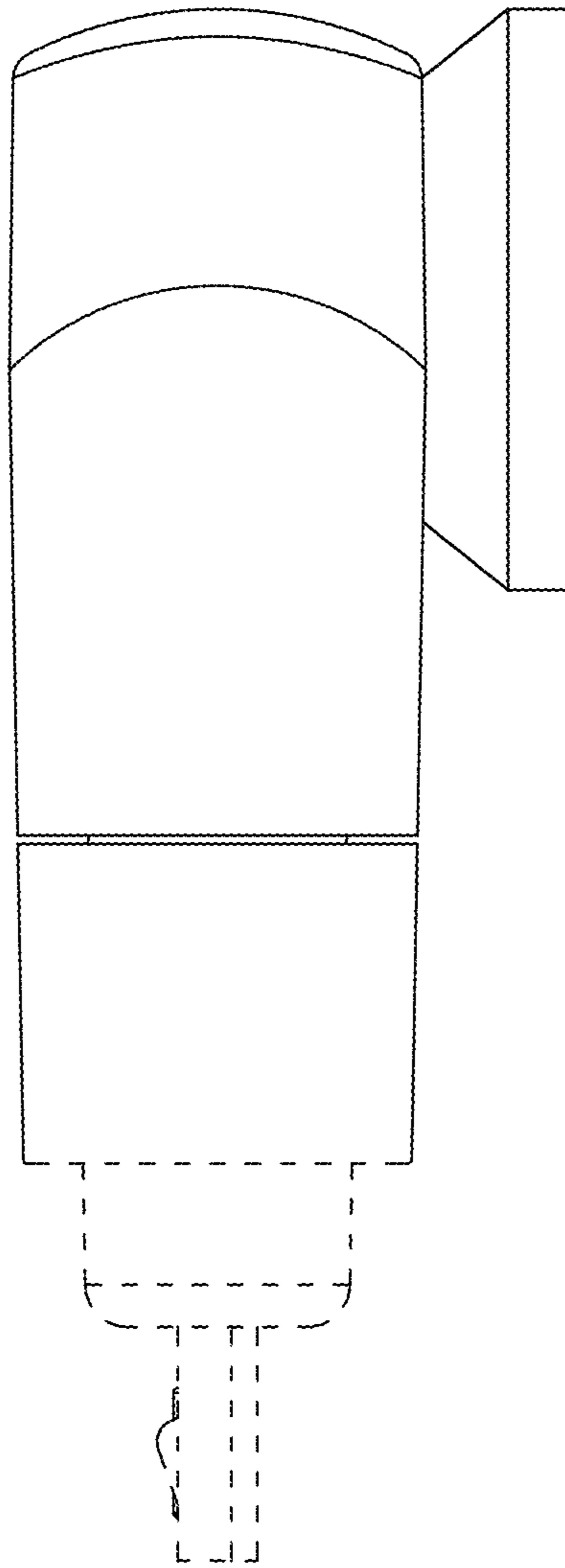


FIG. 4

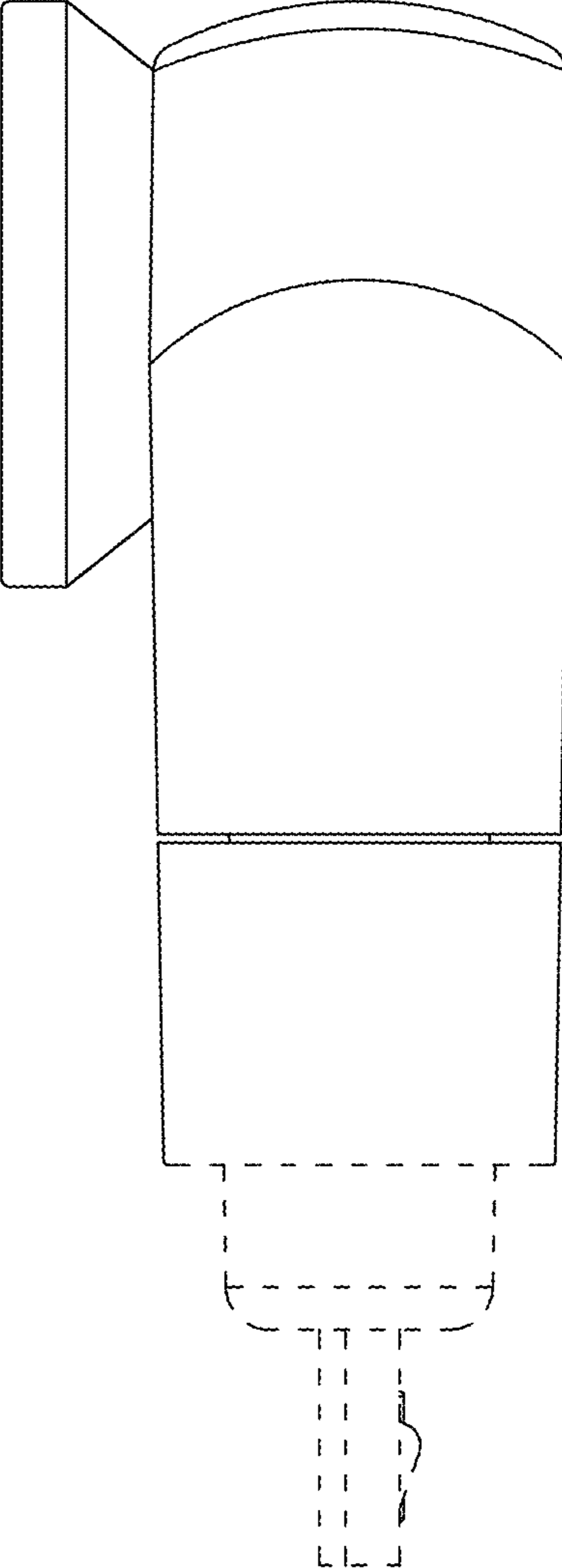


FIG. 5

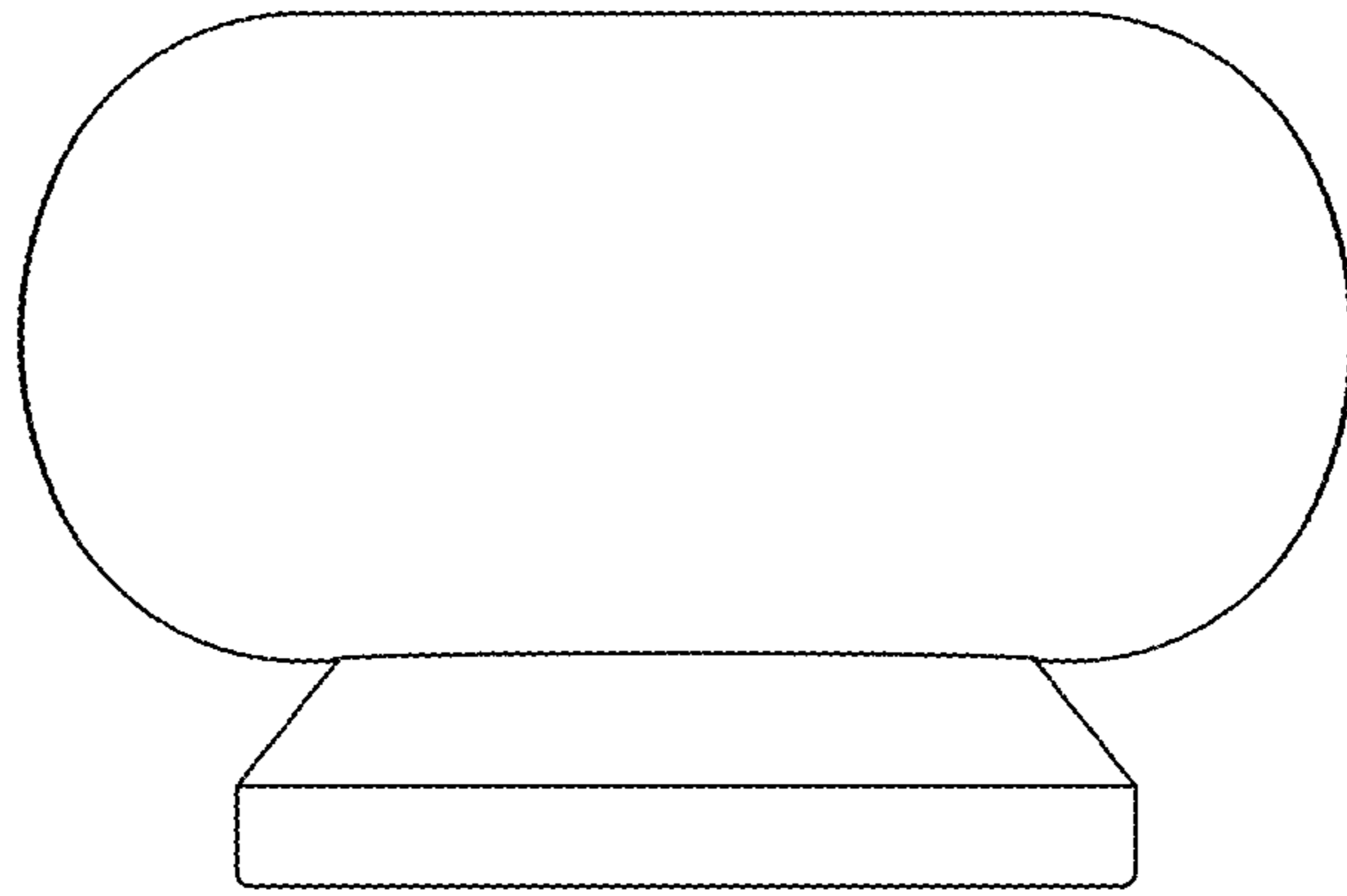


FIG. 6

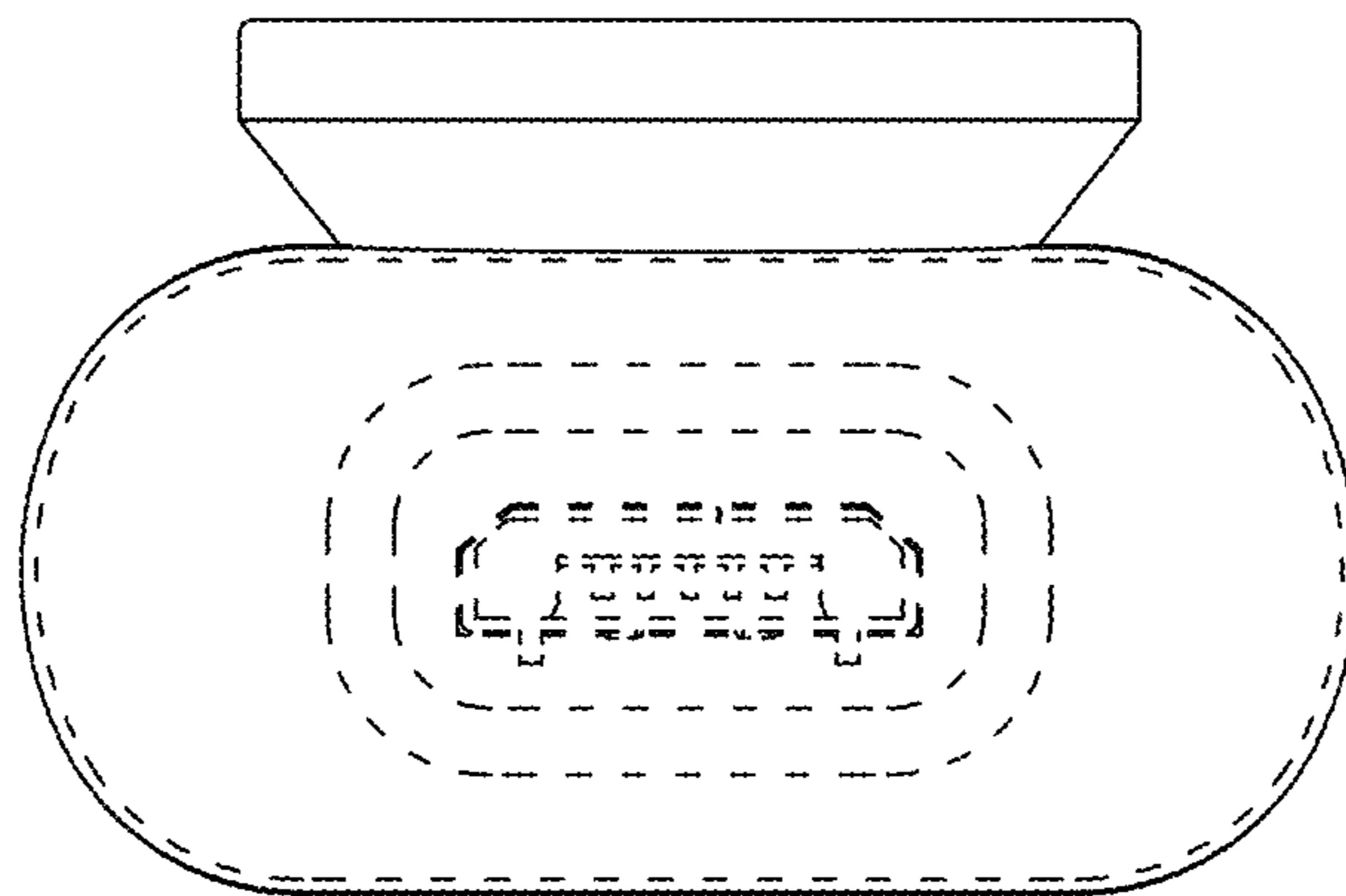


FIG. 7



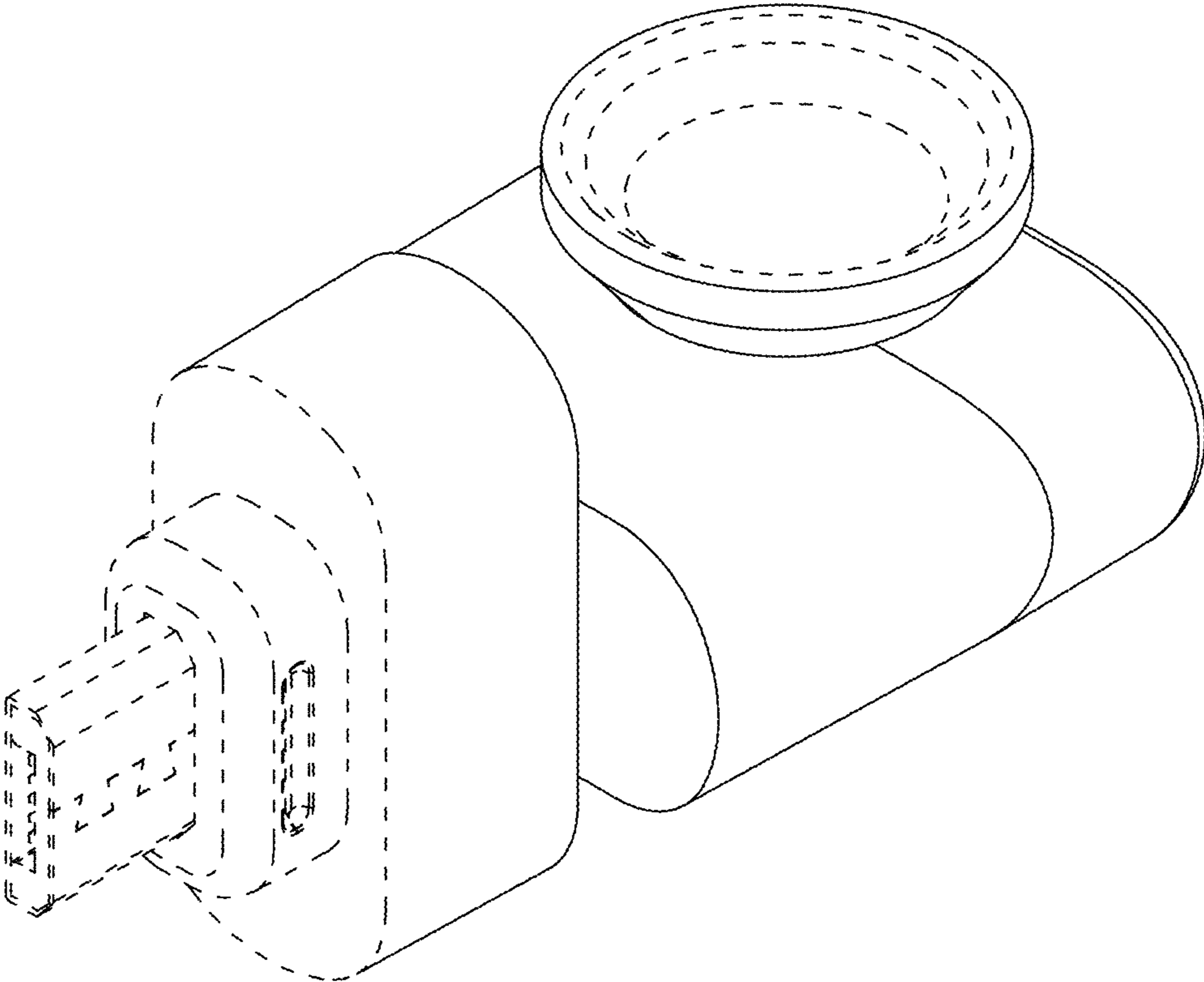


FIG. 8