



US00D801402S

(12) **United States Design Patent**  
**Matthews**

(10) **Patent No.:** **US D801,402 S**  
(45) **Date of Patent:** **\*\* Oct. 31, 2017**

(54) <b>BIT BREAKER TOP AND BOTTOM</b>	4,244,469 A *	1/1981 Miner	.....	E21B 12/04 206/349
(71) Applicant: <b>Ulterra Technologies, L.P.</b> , Fort Worth, TX (US)	4,495,840 A *	1/1985 Freitag	.....	E21B 19/18 175/315
(72) Inventor: <b>Ryan Matthews</b> , Fort Worth, TX (US)	4,733,789 A *	3/1988 Olson	.....	E21B 12/00 206/379
(73) Assignee: <b>Ulterra Drilling Technologies, L.P.</b> , Fort Worth, TX (US)	6,311,789 B1 *	11/2001 Saxman	.....	E21B 19/18 175/57
(**) Term: <b>15 Years</b>	6,536,192 B2 *	3/2003 King	.....	B65D 51/26 206/349
(21) Appl. No.: <b>29/540,220</b>	7,062,991 B1 *	6/2006 West	.....	E21B 19/18 81/57.16
(22) Filed: <b>Sep. 22, 2015</b>	8,002,112 B2 *	8/2011 Weaver	.....	E21B 10/00 206/349
	8,327,944 B2 *	12/2012 King	.....	E21B 12/00 166/117.5

\* cited by examiner

**Related U.S. Application Data**

- (62) Division of application No. 29/490,059, filed on May 6, 2014, now Pat. No. Des. 741,926.
- (51) **LOC (10) Cl.** ..... **15-09**
- (52) **U.S. Cl.**  
USPC ..... **D15/140**
- (58) **Field of Classification Search**  
USPC ..... D15/138, 139, 140; D8/14, 71; D3/272, D3/269, 273; D34/9; D9/428  
CPC ..... E21B 19/18; E21B 19/00; E21B 12/00  
See application file for complete search history.

*Primary Examiner* — Phillip S Hyder

(74) *Attorney, Agent, or Firm* — Hubbard Johnston, PLLC

(57) **CLAIM**

The ornamental design for a bit breaker top and bottom, as shown and described.

**DESCRIPTION**

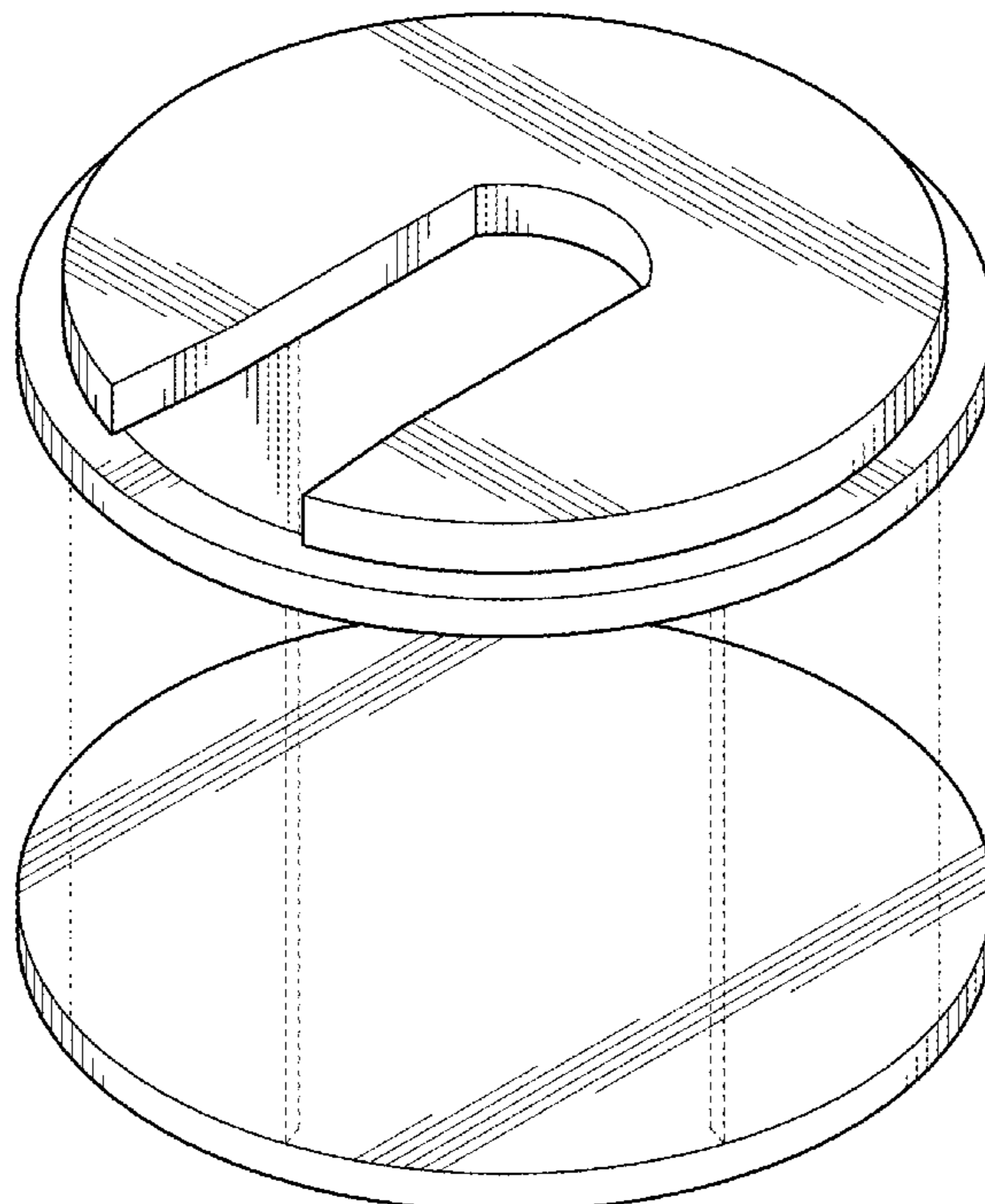
FIG. 1 is a top perspective view of the bit breaker top and bottom showing my new design in an assembled condition; FIG. 2 is a perspective view thereof, in a disassembled condition; and, FIG. 3 is a bottom perspective view thereof. The broken lines depict portions of a bit breaker, in which the design is embodied, but which are not considered part of the claimed design.

(56) **References Cited**

U.S. PATENT DOCUMENTS

2,223,600 A *	12/1940 Carleton	.....	E21B 19/18 29/240
3,964,605 A *	6/1976 Vezirian	.....	B65D 85/54 206/349

**1 Claim, 3 Drawing Sheets**



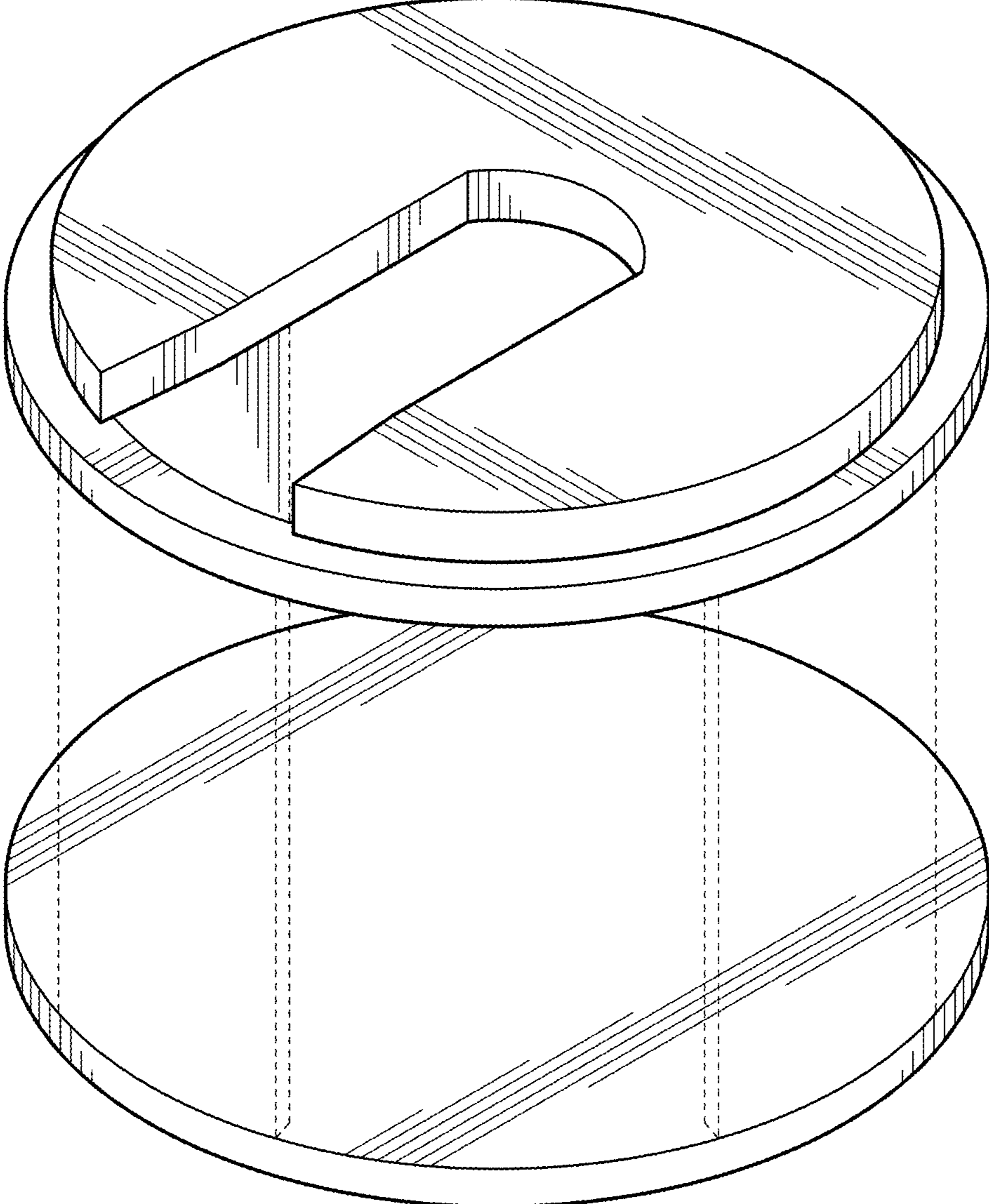


FIG. I

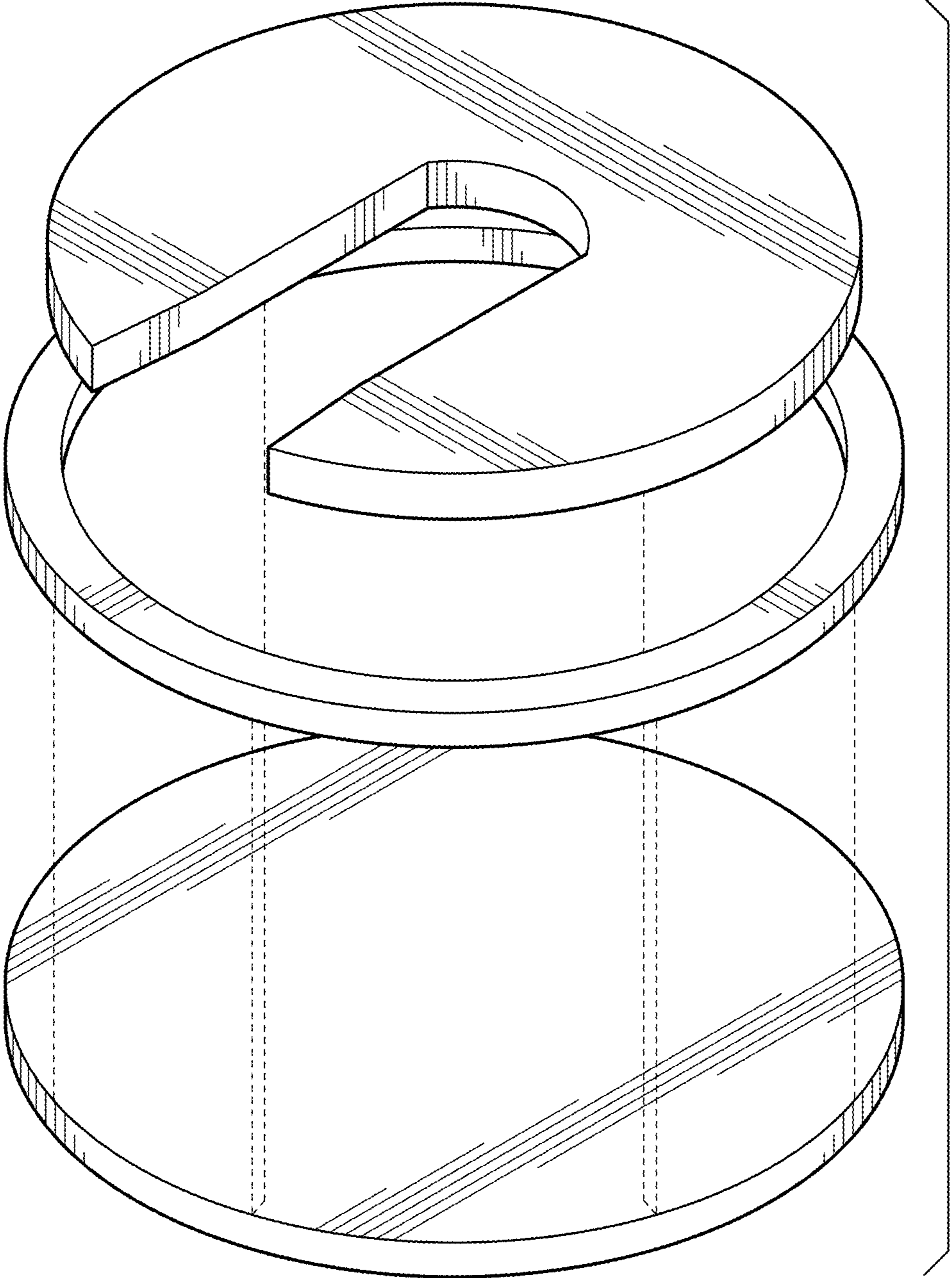


FIG. 2

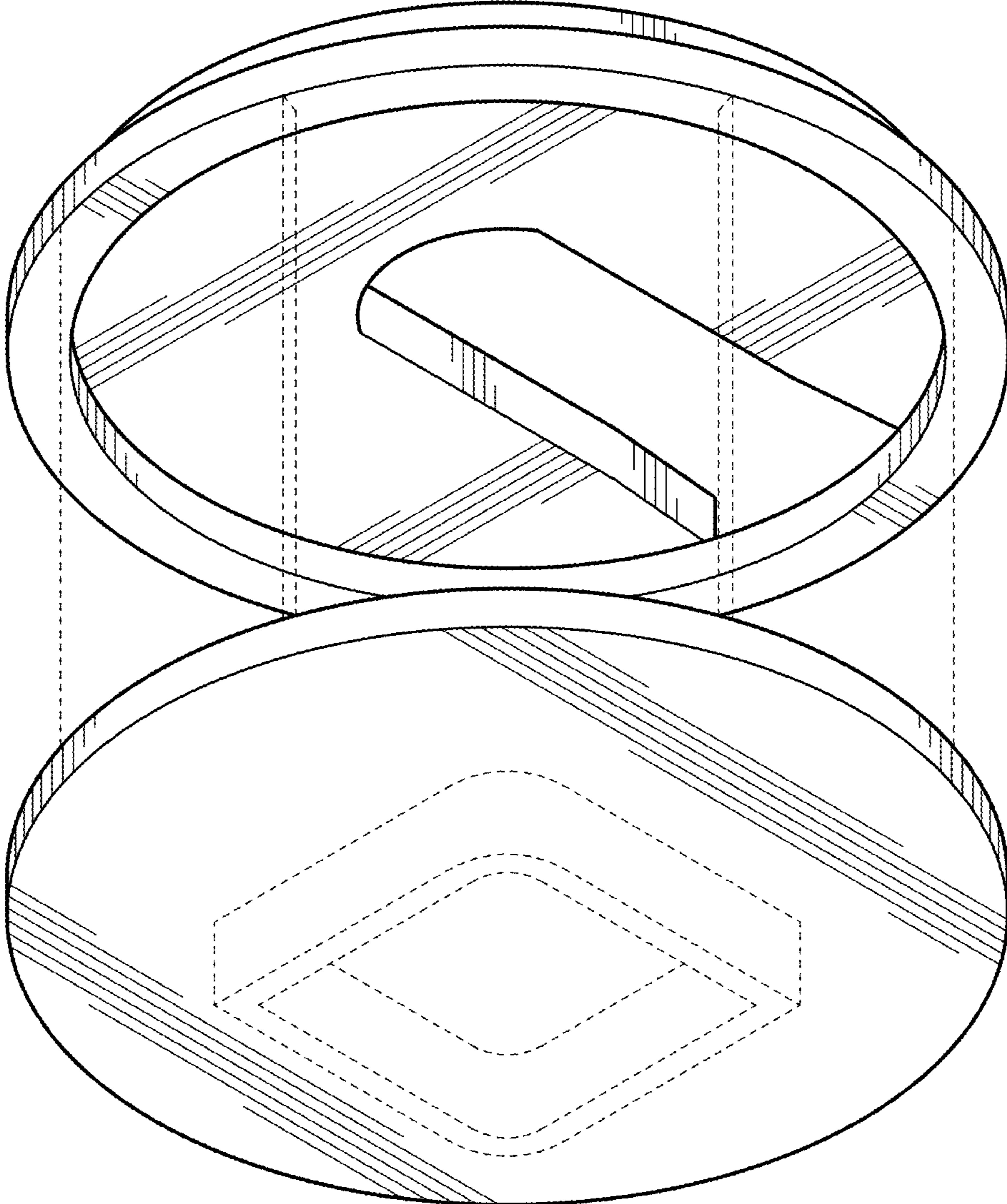


FIG. 3