



US00D801398S

(12) **United States Design Patent** (10) **Patent No.:** **US D801,398 S**
Bartlett et al. (45) **Date of Patent:** **** Oct. 31, 2017**

(54) **STUFFING MACHINE** 5,199,244 A * 4/1993 Beier B68G 7/06
 141/67
 (71) Applicant: **Build-A-Bear Retail Management, Inc., St. Louis, MO (US)** D427,209 S * 6/2000 Collida D15/66
 D486,162 S * 2/2004 Collida D15/66
 D490,089 S * 5/2004 Box D15/66
 (72) Inventors: **Mark Bartlett, Florissant, MO (US);** D549,256 S * 8/2007 Bartleucci D15/145
Beth Ellis, St. Louis, MO (US) D552,642 S * 10/2007 Scheinman D15/145
 8,955,213 B2 * 2/2015 Gordon A63H 9/00
 29/428
 (73) Assignee: **Build-A-Bear Retail Management, Inc., St. Louis, MO (US)** D753,731 S * 4/2016 Watkins, Jr. D15/66
 2006/0163291 A1 * 7/2006 Bartleucci A63H 3/02
 222/412

(**) Term: **15 Years** * cited by examiner

(21) Appl. No.: **29/571,071**

Primary Examiner — Mitchell Siegel

(22) Filed: **Jul. 14, 2016**

(74) *Attorney, Agent, or Firm* — Lewis Rice LLC

(51) **LOC (10) Cl.** **15-03**

(57) **CLAIM**

(52) **U.S. Cl.**
 USPC **D15/66**

The ornamental design for a stuffing machine, as shown and described.

(58) **Field of Classification Search**
 USPC D15/66
 CPC ... B68G 7/06; B68G 1/00; A63H 9/00; A63H
 3/02

DESCRIPTION

See application file for complete search history.

FIG. 1 provides a front perspective view of a stuffing machine.

(56) **References Cited**

FIG. 2 provides a front view of a stuffing machine.

U.S. PATENT DOCUMENTS

FIG. 3 provides a rear view of a stuffing machine.

2,794,454 A * 6/1957 Moulthrop B68G 7/06
 141/67
 3,351,106 A * 11/1967 Moulthrop B68G 7/06
 141/314
 3,693,836 A * 9/1972 Eisner G01G 13/00
 141/67
 4,664,160 A * 5/1987 Rothstein B68G 7/06
 141/67

FIG. 4 provides a left side view of a stuffing machine.

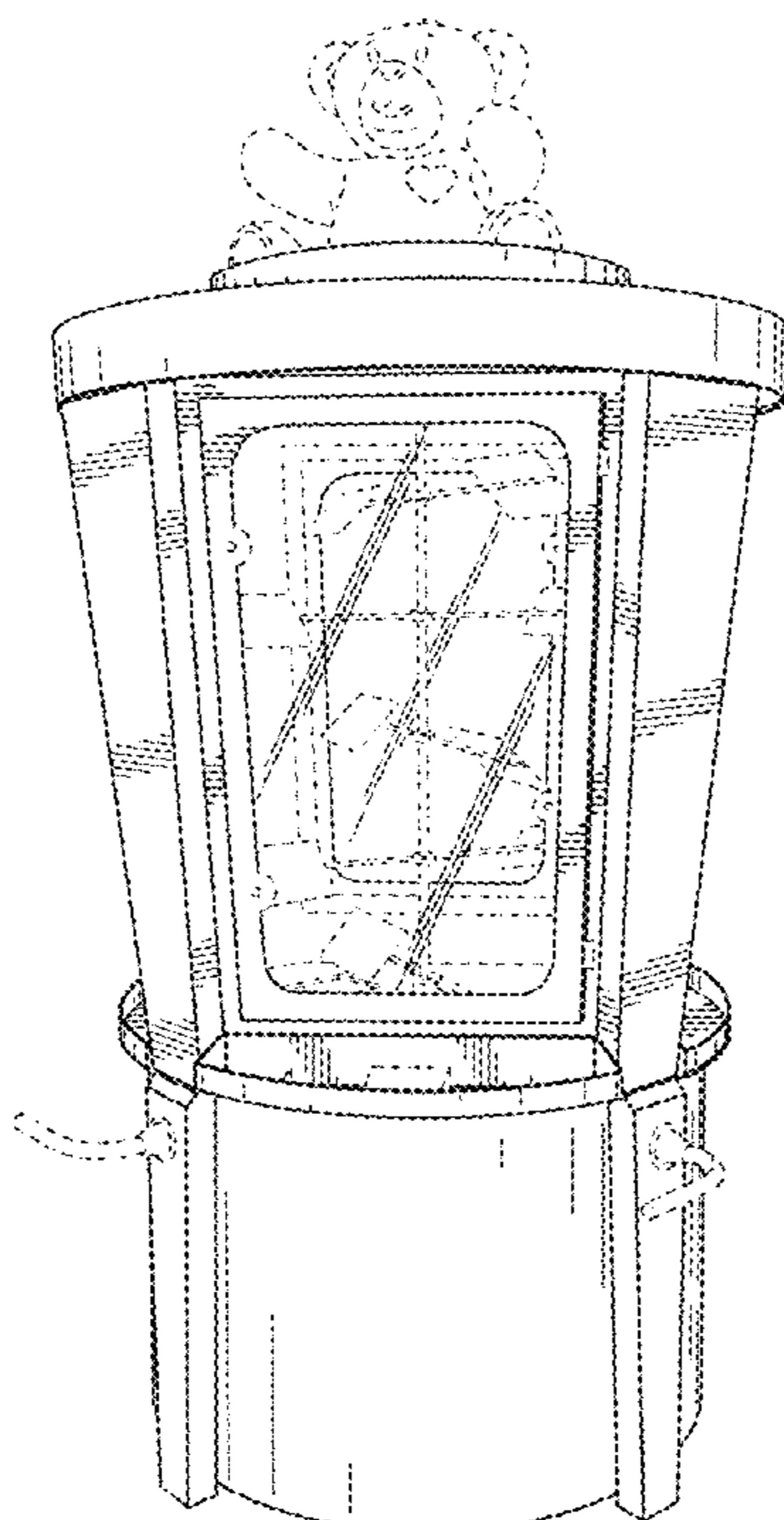
FIG. 5 provides a right side view of a stuffing machine.

FIG. 6 provides a top view of a stuffing machine; and,

FIG. 7 provides a bottom view of a stuffing machine.

The broken lines shown in the drawings are included for the purpose of illustrating environmental structure and form no part of the claimed design.

1 Claim, 7 Drawing Sheets



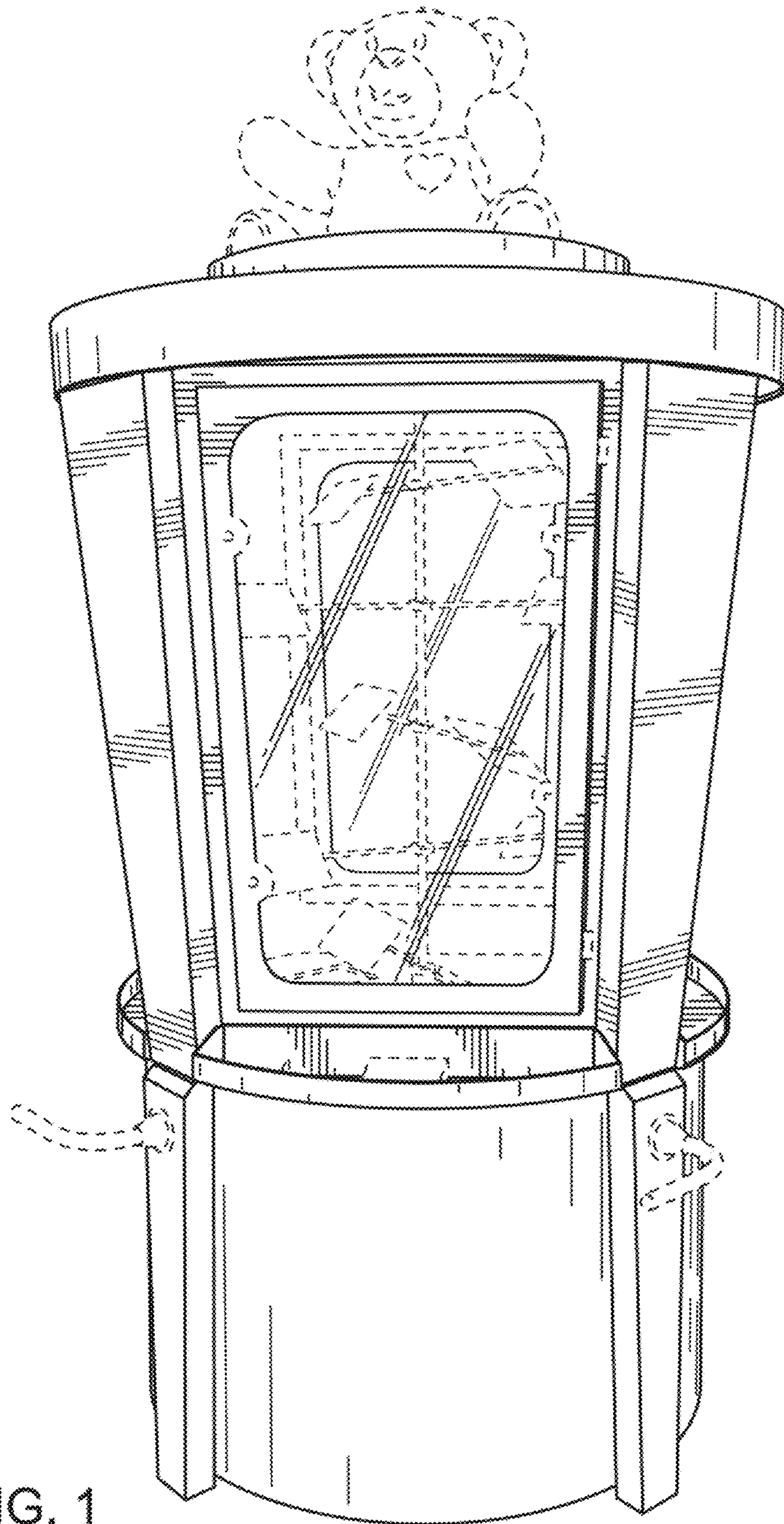


FIG. 1

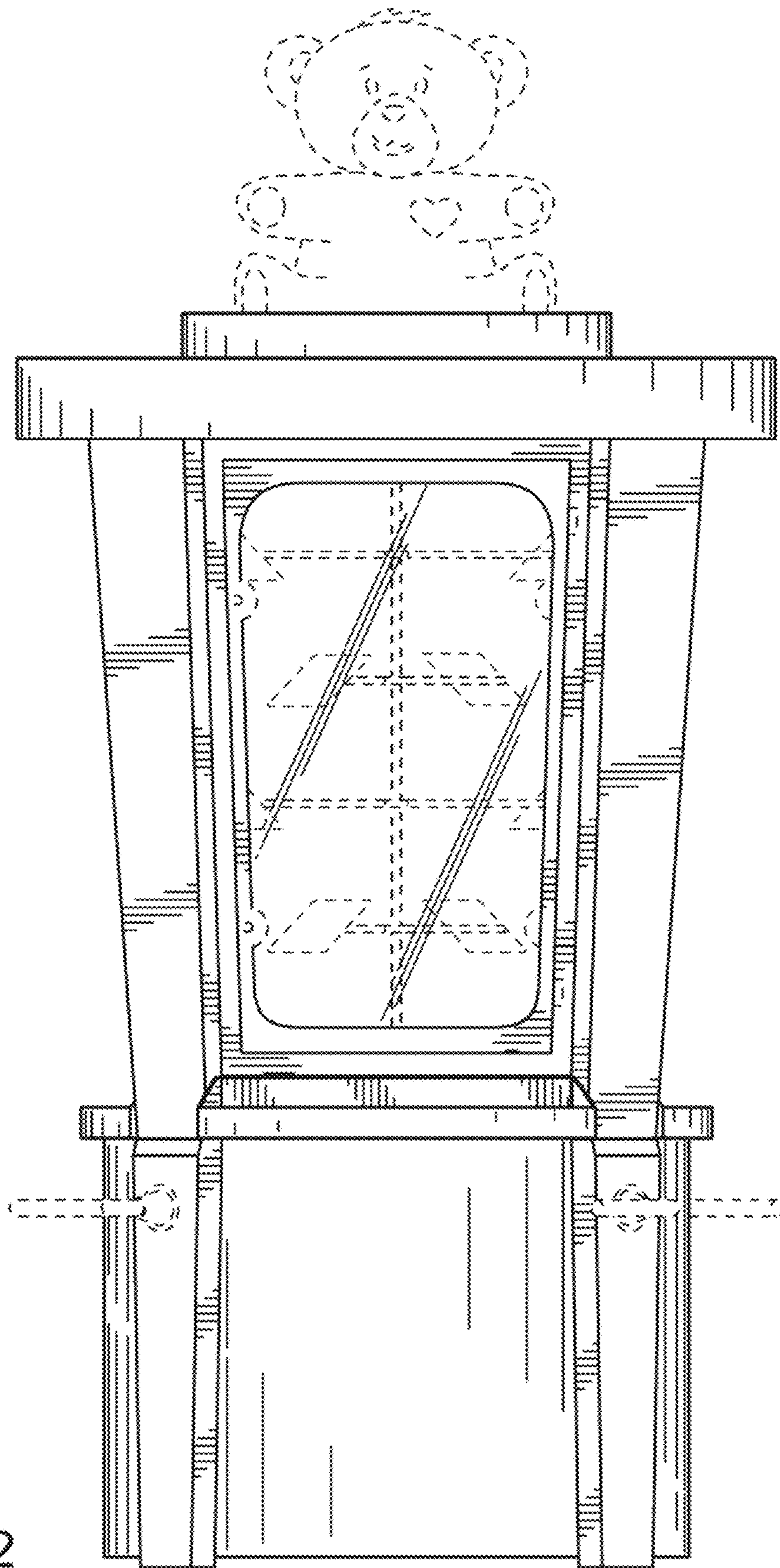


FIG. 2

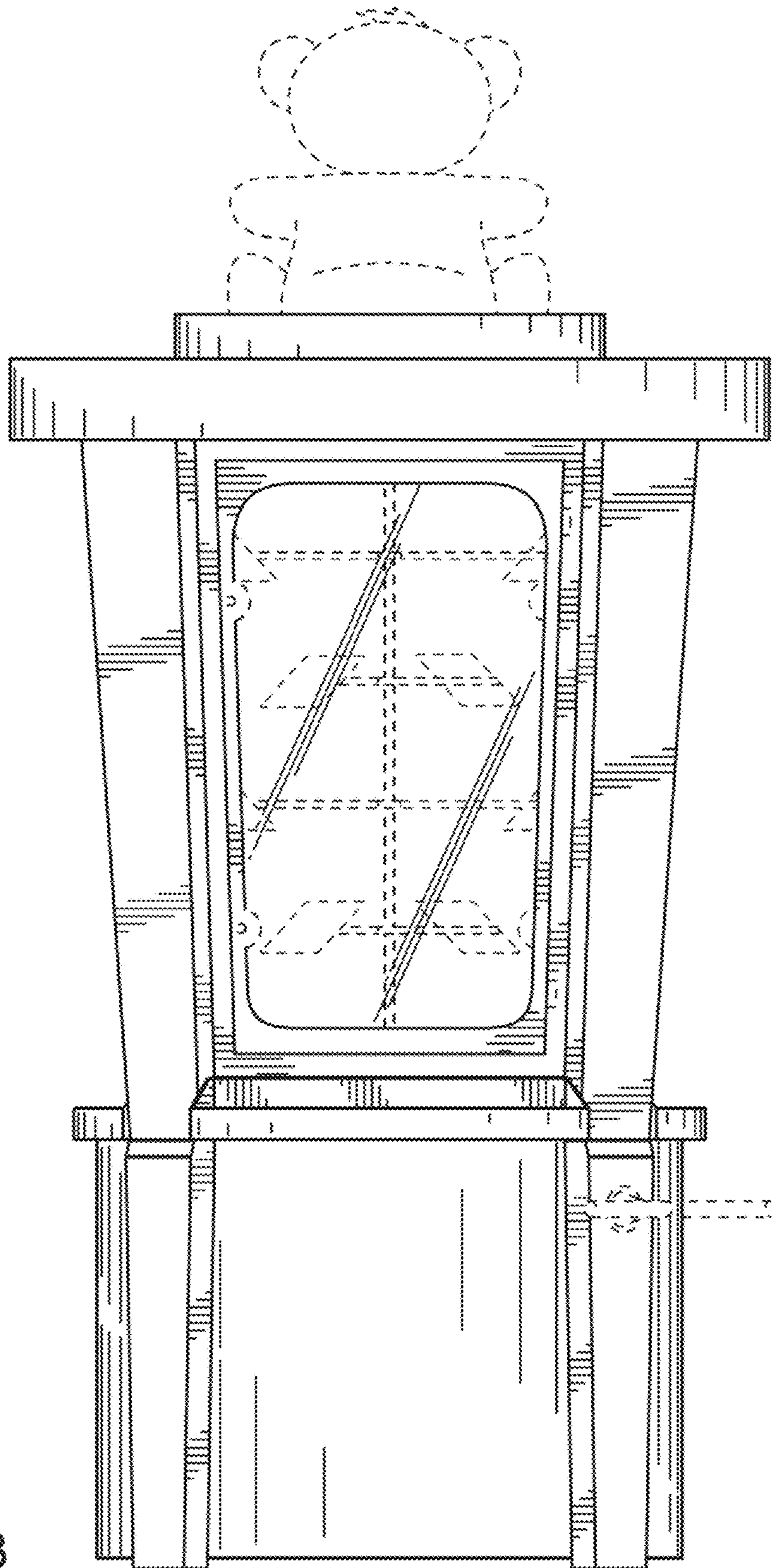


FIG. 3

STUFFING MACHINE
Inventor: Barfield Docket No. 213/2522D
Sheet 4 of 7

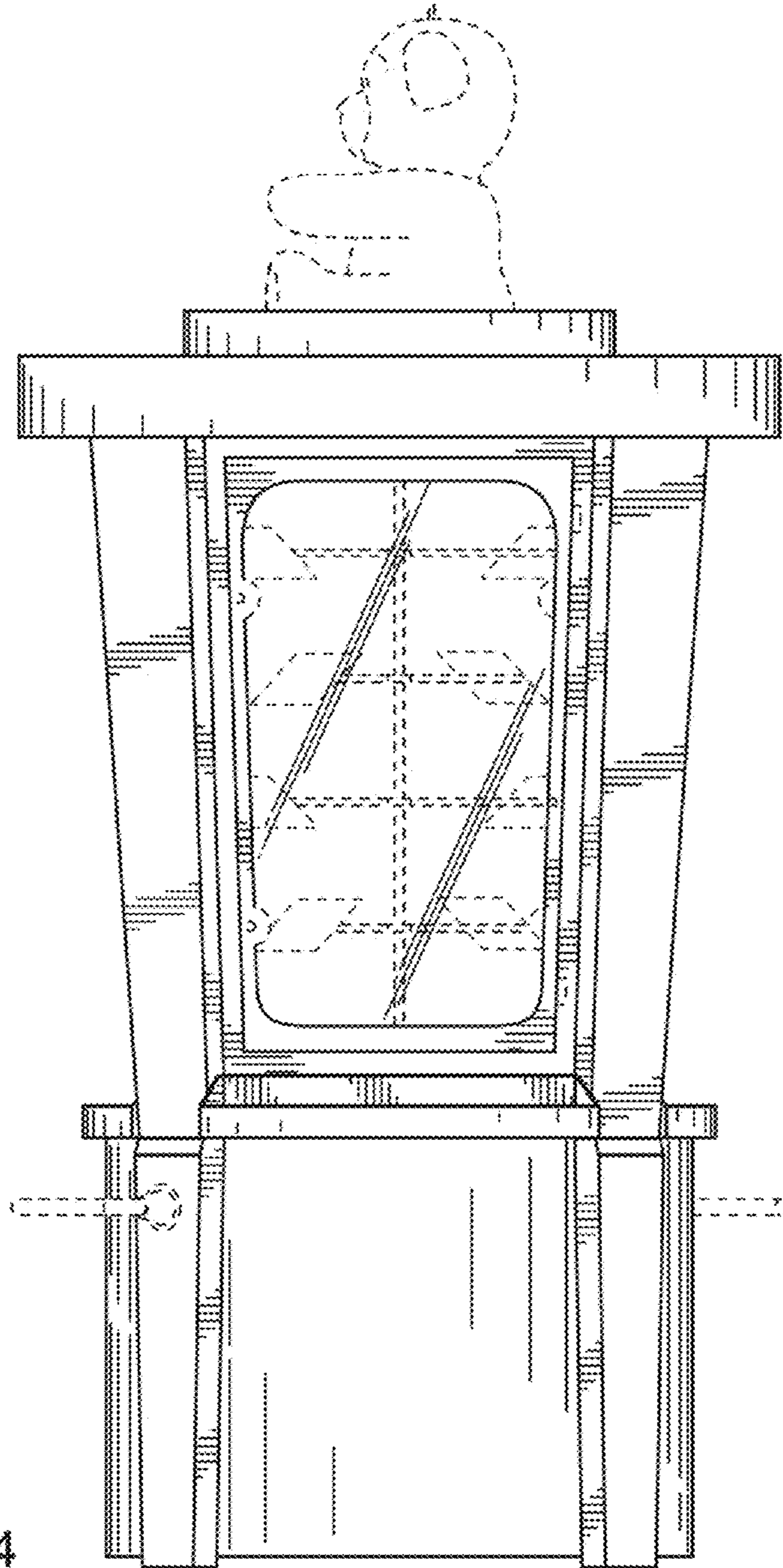


FIG. 4

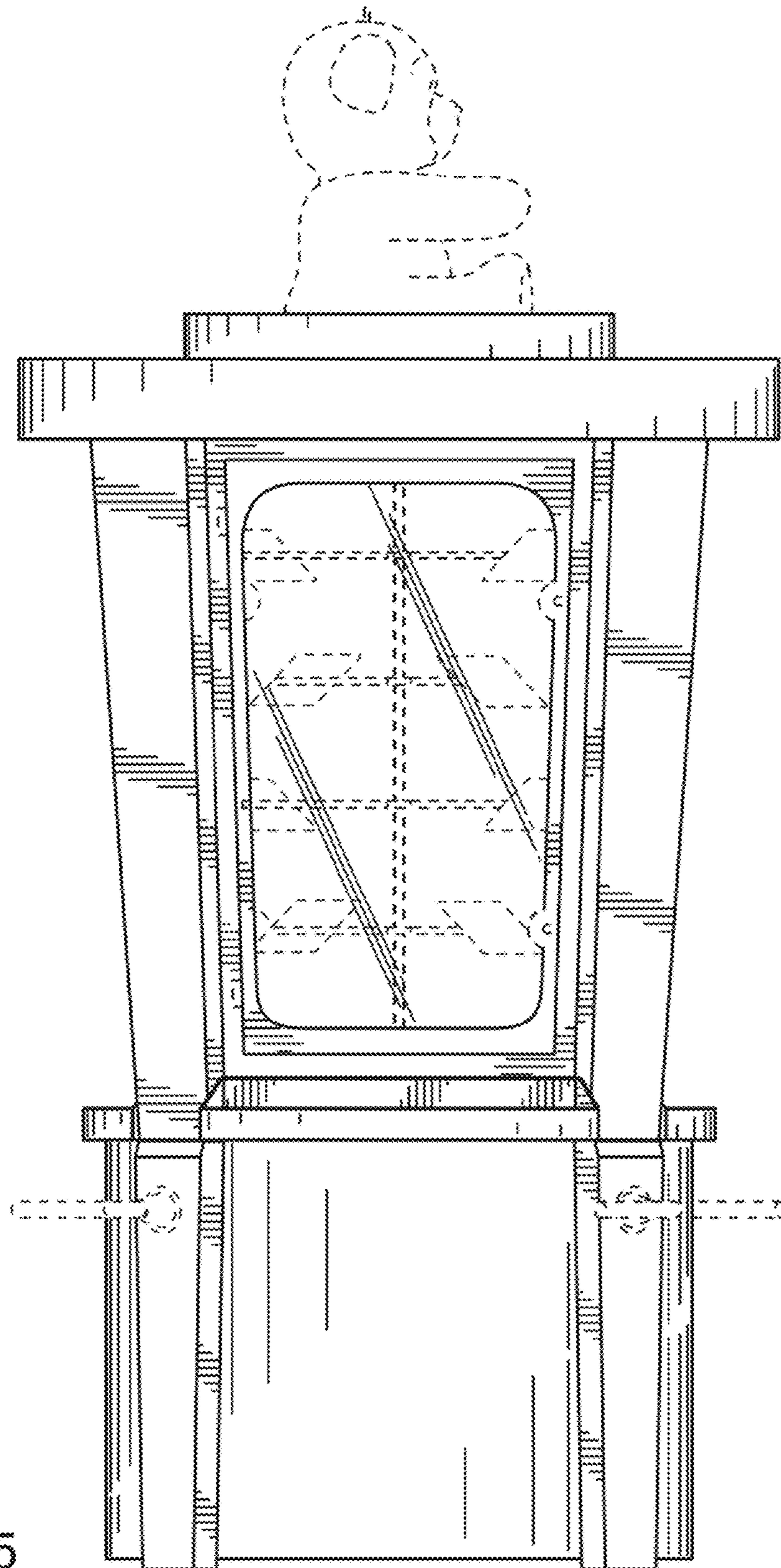


FIG. 5

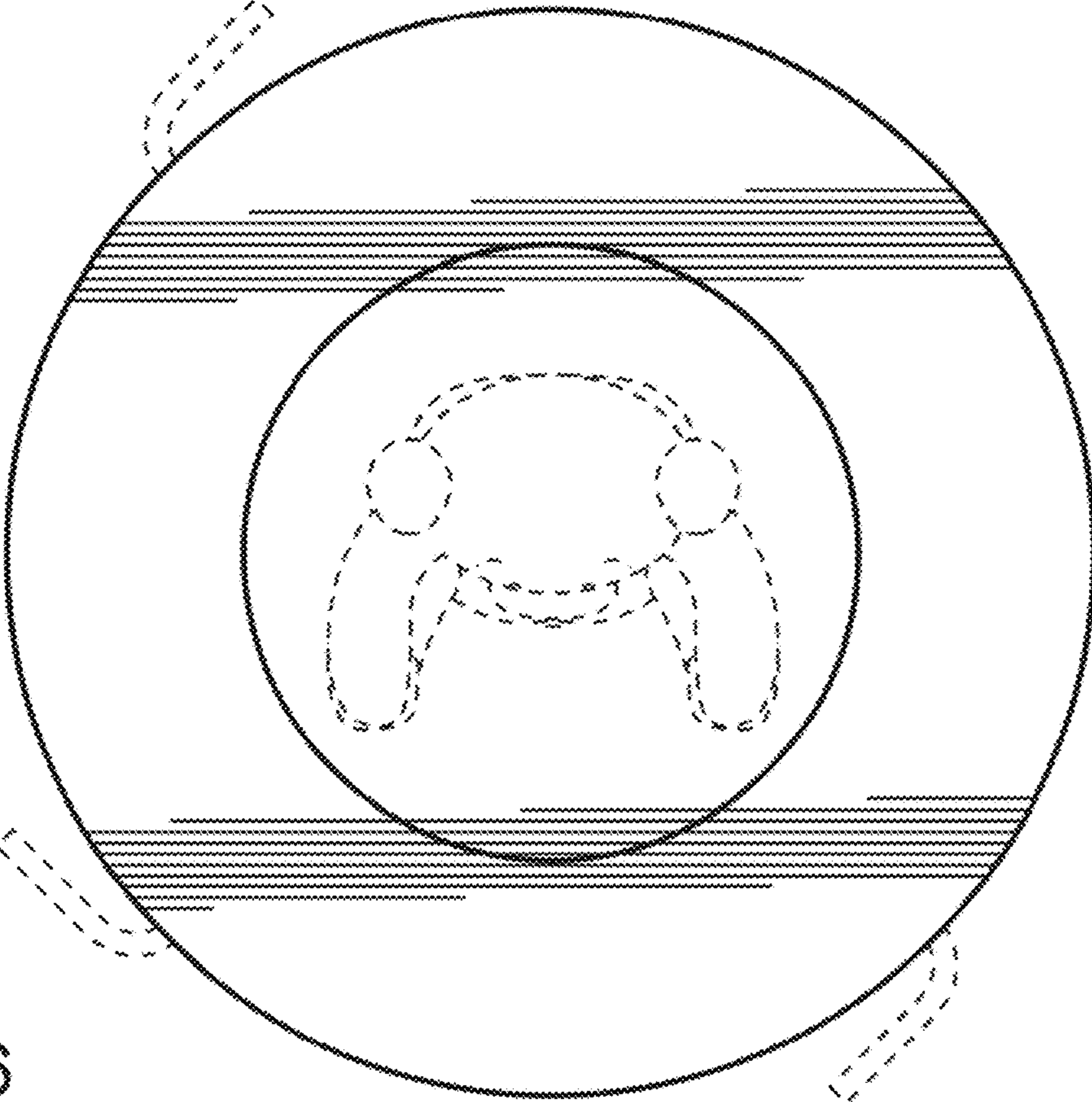


FIG. 6

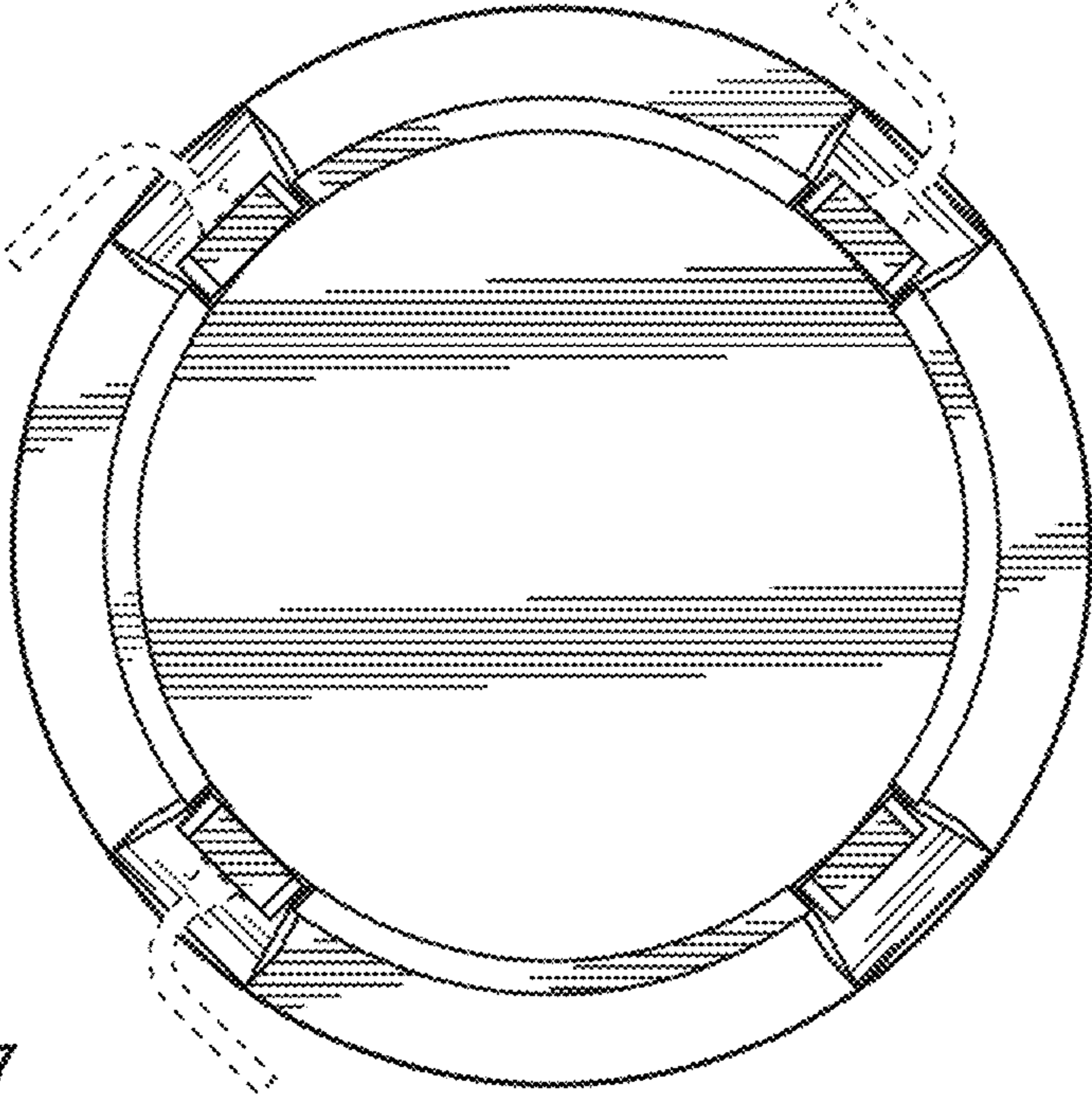


FIG. 7