



US00D801395S

(12) **United States Design Patent** (10) **Patent No.:** **US D801,395 S**
Kelly (45) **Date of Patent:** **** Oct. 31, 2017**

(54) **HAGGIS LINK**
(71) Applicant: **Clark Tracks Limited**, Dumfries (GB)
(72) Inventor: **Stewart Kelly**, Lockerbie (GB)
(**) Term: **15 Years**
(21) Appl. No.: **29/564,856**
(22) Filed: **May 16, 2016**
(51) **LOC (10) Cl.** **15-03**
(52) **U.S. Cl.**
USPC **D15/28**
(58) **Field of Classification Search**
USPC D12/223, 400, 608; D15/23, 24, 28;
D11/1, 4, 12, 93; D8/300, 323; 152/243;
29/428; 198/850; 228/119; 305/45, 204
CPC B62D 55/21; B62D 55/14; B62D 55/32;
B62D 55/202; F16G 13/12; G01B 21/18;
G01N 3/06
See application file for complete search history.

2005/0113198 A1* 5/2005 Benecke B65G 19/20
474/206
2010/0148575 A1* 6/2010 Johannsen B62D 55/21
305/201
2010/0307127 A1* 12/2010 Pengg F16G 13/12
59/84

(Continued)

FOREIGN PATENT DOCUMENTS

CA 168509 * 5/2016

OTHER PUBLICATIONS

Haggis Ultra Link; Retrieved from <http://www.clarktracks.com>;
Retrieved on Jun. 22, 2017; <http://www.clarktracks.com/en/accessories/haggis-link.html>.*

Primary Examiner — Wan Laymon
Assistant Examiner — Clint A Samuel
(74) *Attorney, Agent, or Firm* — Willis IP; Ryan Willis

(57) **CLAIM**

I claim the ornamental design for a haggis link, as shown and described.

DESCRIPTION

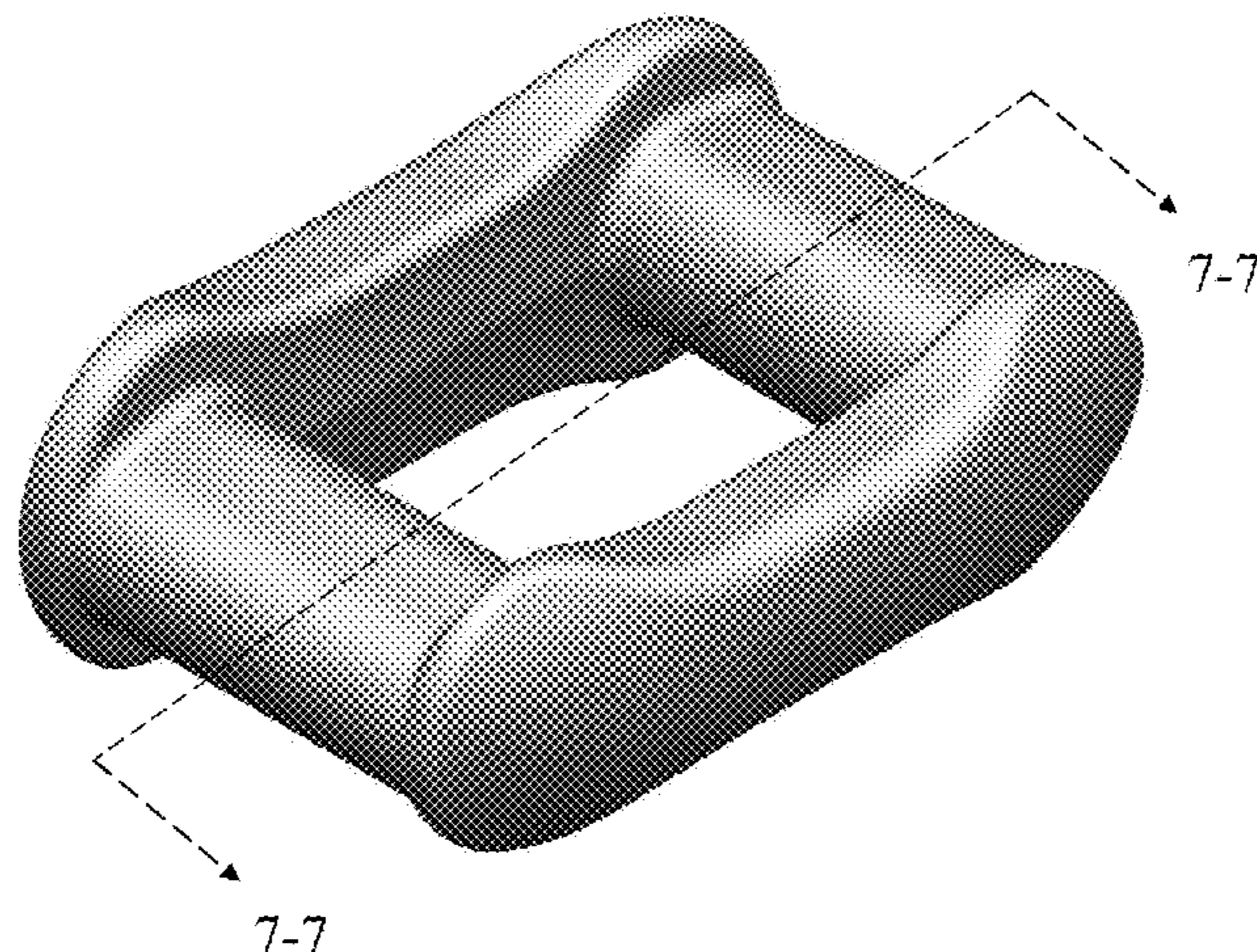
FIG. 1 is an isometric view of an exemplary haggis link design in accordance with the present design.
FIG. 2 is a bottom view of the exemplary haggis link design shown in FIG. 1.
FIG. 3 is a left profile view of the exemplary haggis link design shown in FIG. 1.
FIG. 4 is a right profile view of the exemplary haggis link design shown in FIG. 1.
FIG. 5 is a rear view of the exemplary haggis link design shown in FIG. 1.
FIG. 6 is a front view of the exemplary haggis link design shown in FIG. 1; and,
FIG. 7 is a cross-sectional view of the exemplary haggis link design shown in FIG. 1 taken along the dotted line 7-7.

1 Claim, 7 Drawing Sheets

(56) **References Cited**

U.S. PATENT DOCUMENTS

4,444,441 A * 4/1984 Parker B62D 55/211
305/189
D338,020 S * 8/1993 Taft D15/28
D435,565 S * 12/2000 Barani D15/28
6,290,313 B1 * 9/2001 Korpi B62D 55/21
305/204
7,108,622 B2 * 9/2006 Okabe F16G 13/06
474/152
8,474,606 B2 * 7/2013 Meya B65G 19/20
198/850
9,051,993 B2 * 6/2015 Benecke B65G 19/20
D734,590 S * 7/2015 Evers D34/29
D751,609 S * 3/2016 Meyer D15/28
D757,599 S * 5/2016 Davis D11/93
D769,333 S * 10/2016 Knobloch D15/28
D775,239 S * 12/2016 Brooks D15/28
D778,767 S * 2/2017 Nicolas D11/93



(56)

References Cited

U.S. PATENT DOCUMENTS

2012/0286567 A1* 11/2012 Liu B62D 55/21
305/185
2013/0333348 A1* 12/2013 Pengg B21L 3/00
59/35.1
2016/0052572 A1* 2/2016 McKinley B62D 55/21
305/15
2016/0288846 A1* 10/2016 Moyna B62D 55/14

* cited by examiner

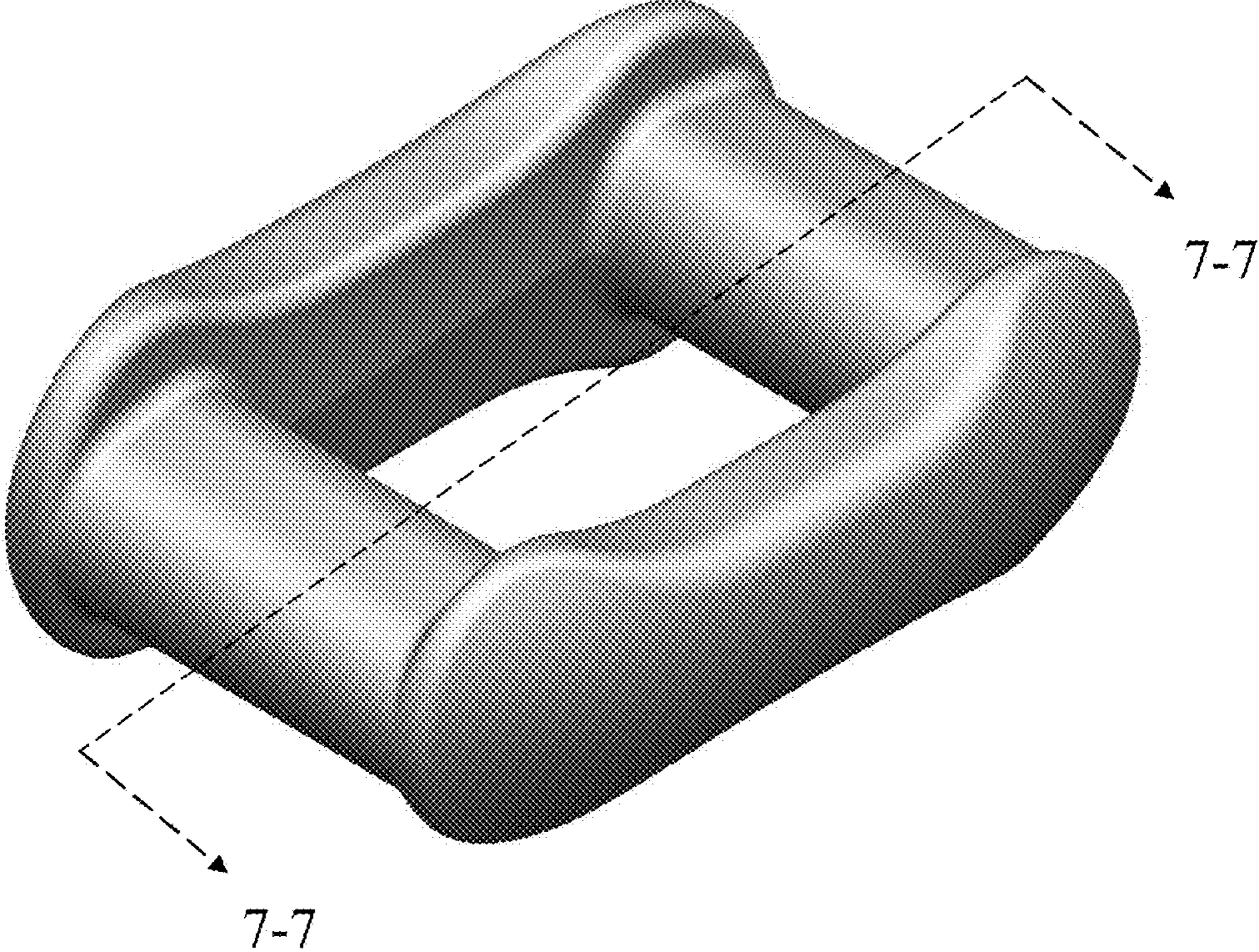


FIG. 1

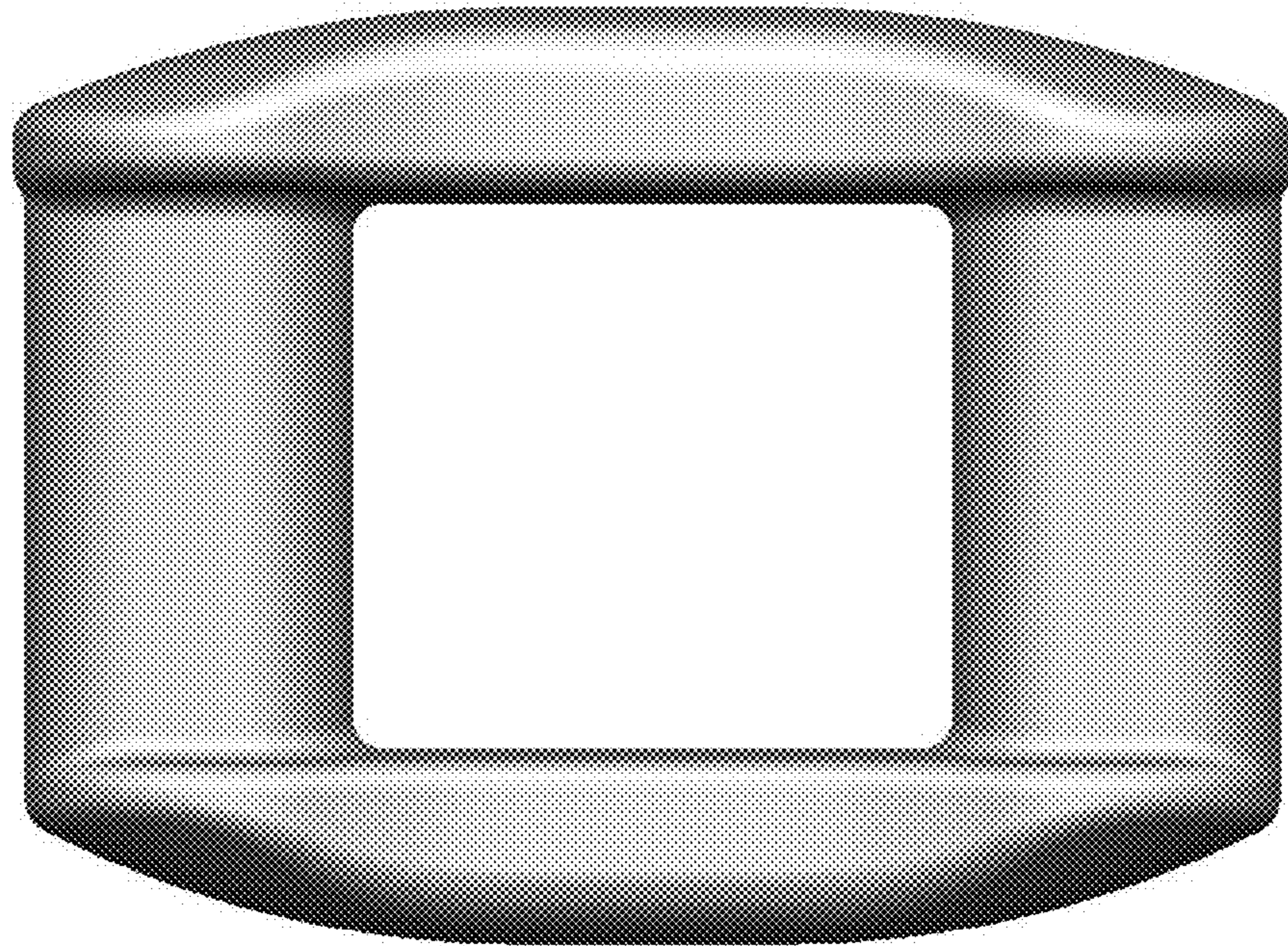


FIG. 2

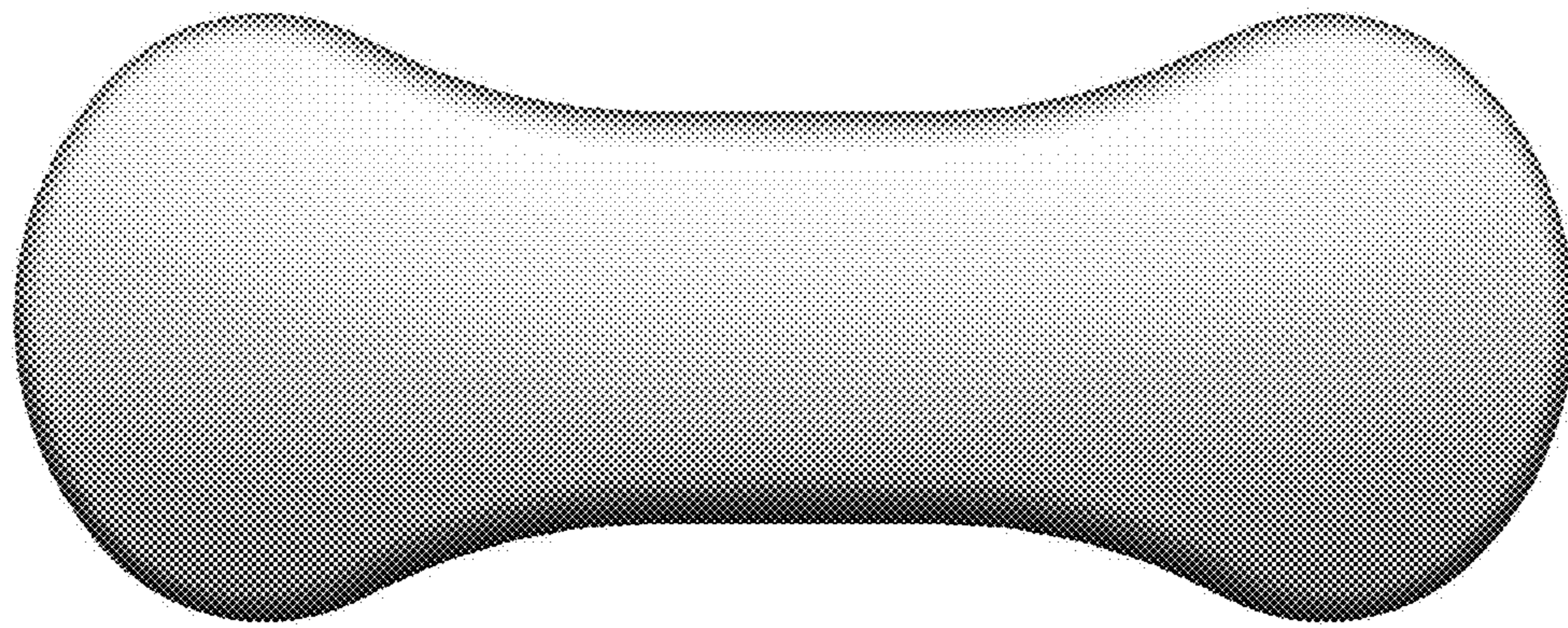


FIG. 3

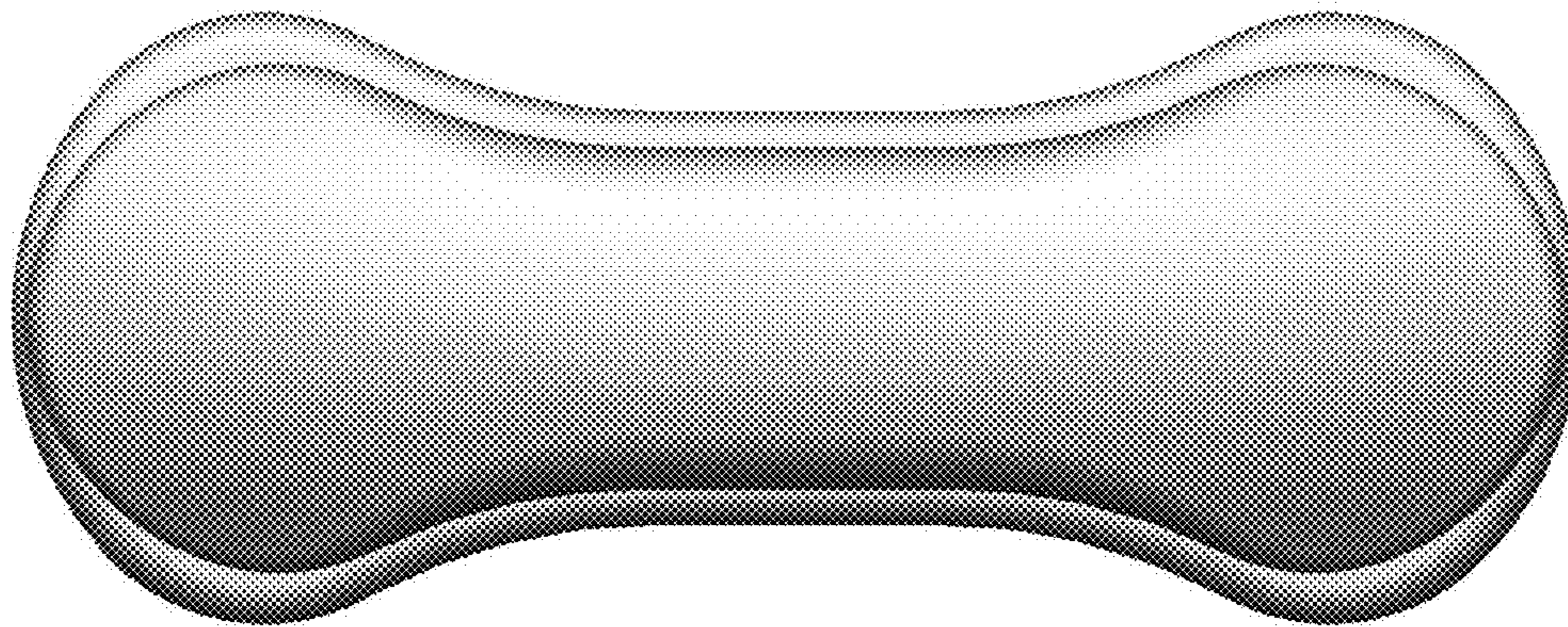


FIG. 4

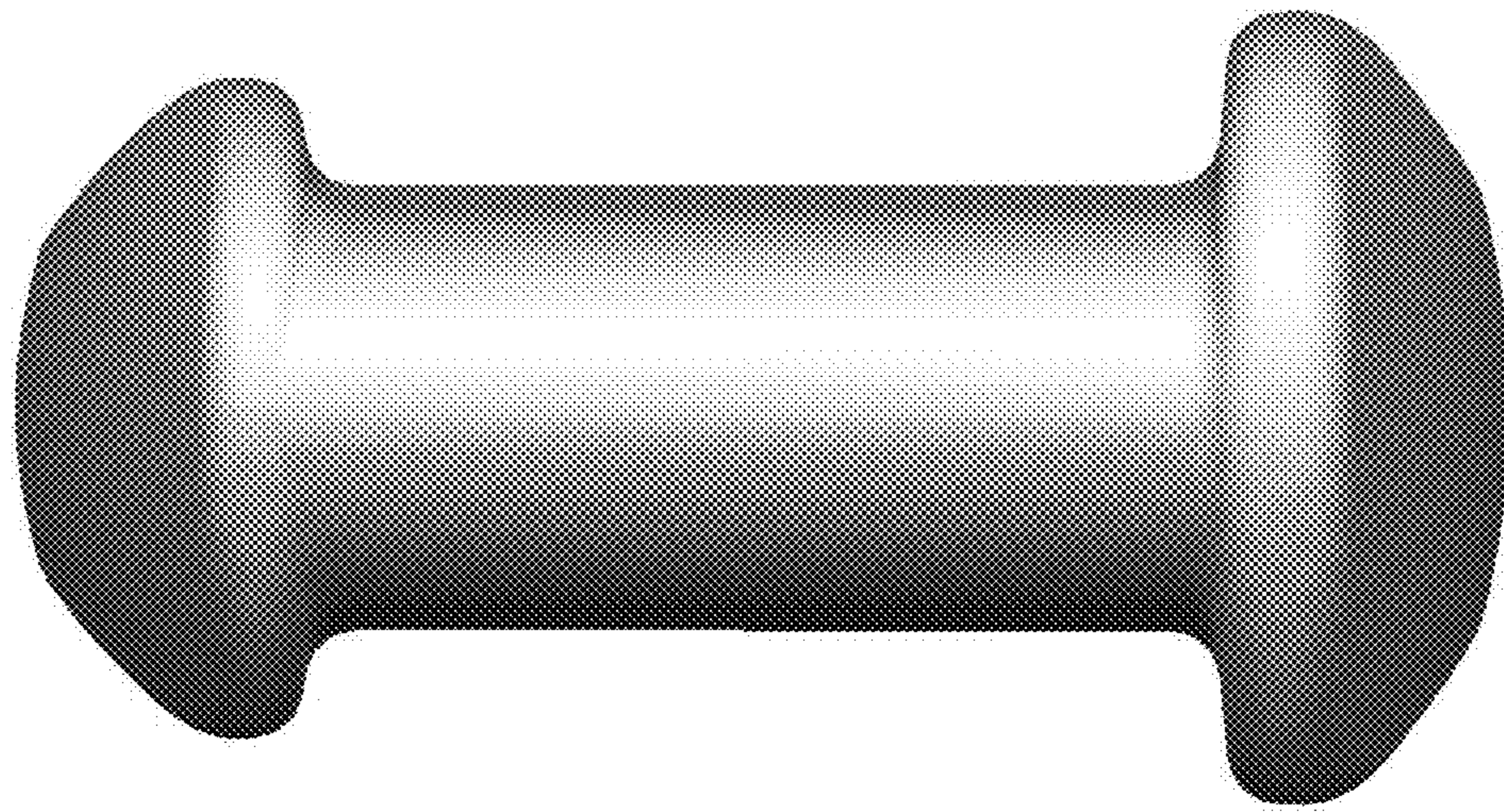


FIG. 5

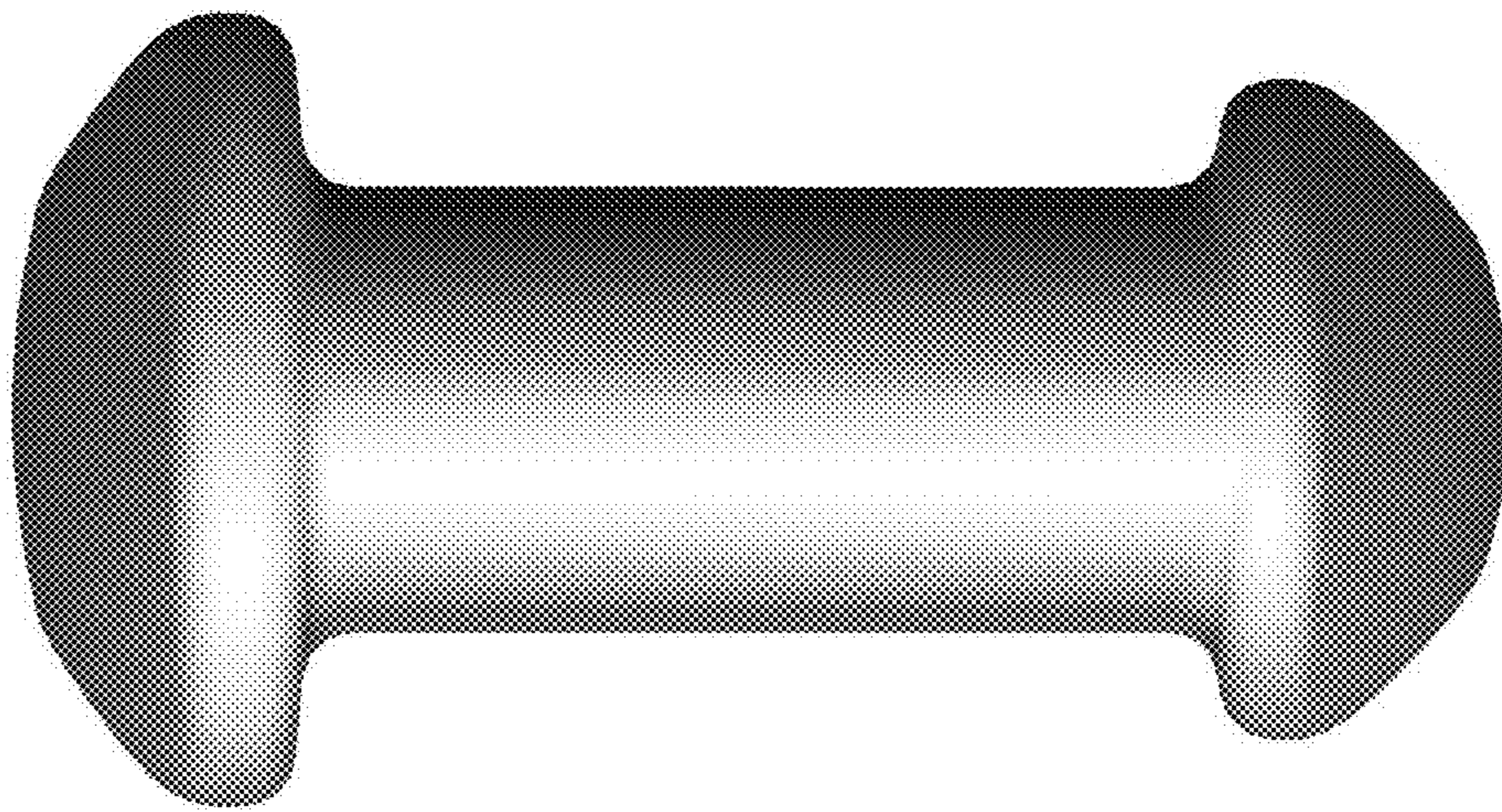


FIG. 6

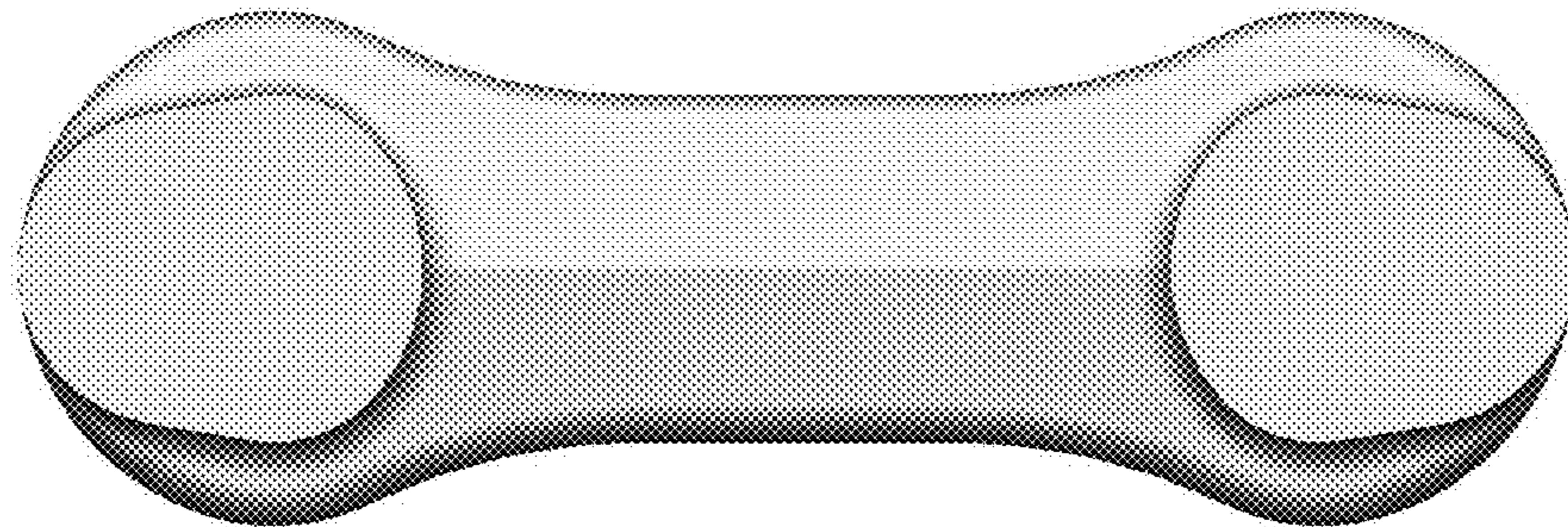


FIG. 7