



US00D801386S

(12) **United States Design Patent** (10) **Patent No.:** **US D801,386 S**
Xu (45) **Date of Patent:** **** Oct. 31, 2017**

(54) **DISPLAY SCREEN OR PORTION THEREOF WITH ANIMATED GRAPHICAL USER INTERFACE**

(71) Applicant: **ZTE Corporation**, Shenzhen, Guangdong (CN)

(72) Inventor: **Yuanyuan Xu**, Shenzhen (CN)

(73) Assignee: **XI'AN ZHONGXING NEW SOFTWARE CO.LTD.**, Xi'An (CN)

(**) Term: **15 Years**

(21) Appl. No.: **29/594,591**

(22) Filed: **Feb. 21, 2017**

Related U.S. Application Data

(62) Division of application No. 29/479,062, filed on Jan. 10, 2014, now Pat. No. Des. 783,673.

(51) **LOC (10) Cl.** **14-04**

(52) **U.S. Cl.**
USPC **D14/489**

(58) **Field of Classification Search**
USPC D14/485-495

(Continued)

(56) **References Cited**

U.S. PATENT DOCUMENTS

D624,926 S 10/2010 Allen
D625,319 S 10/2010 Allen

(Continued)

Primary Examiner — Melanie H Tung
Assistant Examiner — Bao-Yen Nguyen

(74) *Attorney, Agent, or Firm* — Oppedahl Patent Law Firm LLC

(57) **CLAIM**

The ornamental design for a display screen or portion thereof with animated graphical user interface, as shown and described.

DESCRIPTION

FIG. 1 is a front view of the first image in the sequence of my new design for a display screen or portion thereof with animated graphical user interface.

FIG. 2 is the second image thereof.

FIG. 3 is the third image thereof.

FIG. 4 is the fourth image thereof.

FIG. 5 is the fifth image thereof.

FIG. 6 is the sixth image thereof.

FIG. 7 is the seventh image thereof.

FIG. 8 is the eighth image thereof.

FIG. 9 is the ninth image thereof.

FIG. 10 is the tenth image thereof.

FIG. 11 is the eleventh image thereof.

FIG. 12 is a front view of the first image in the sequence of a second embodiment of my new design for a display screen or portion thereof with animated graphical user interface.

FIG. 13 is the second image thereof.

FIG. 14 is the third image thereof.

FIG. 15 is the fourth image thereof.

FIG. 16 is the fifth image thereof.

FIG. 17 is the sixth image thereof.

FIG. 18 is the seventh image thereof.

FIG. 19 is the eighth image thereof.

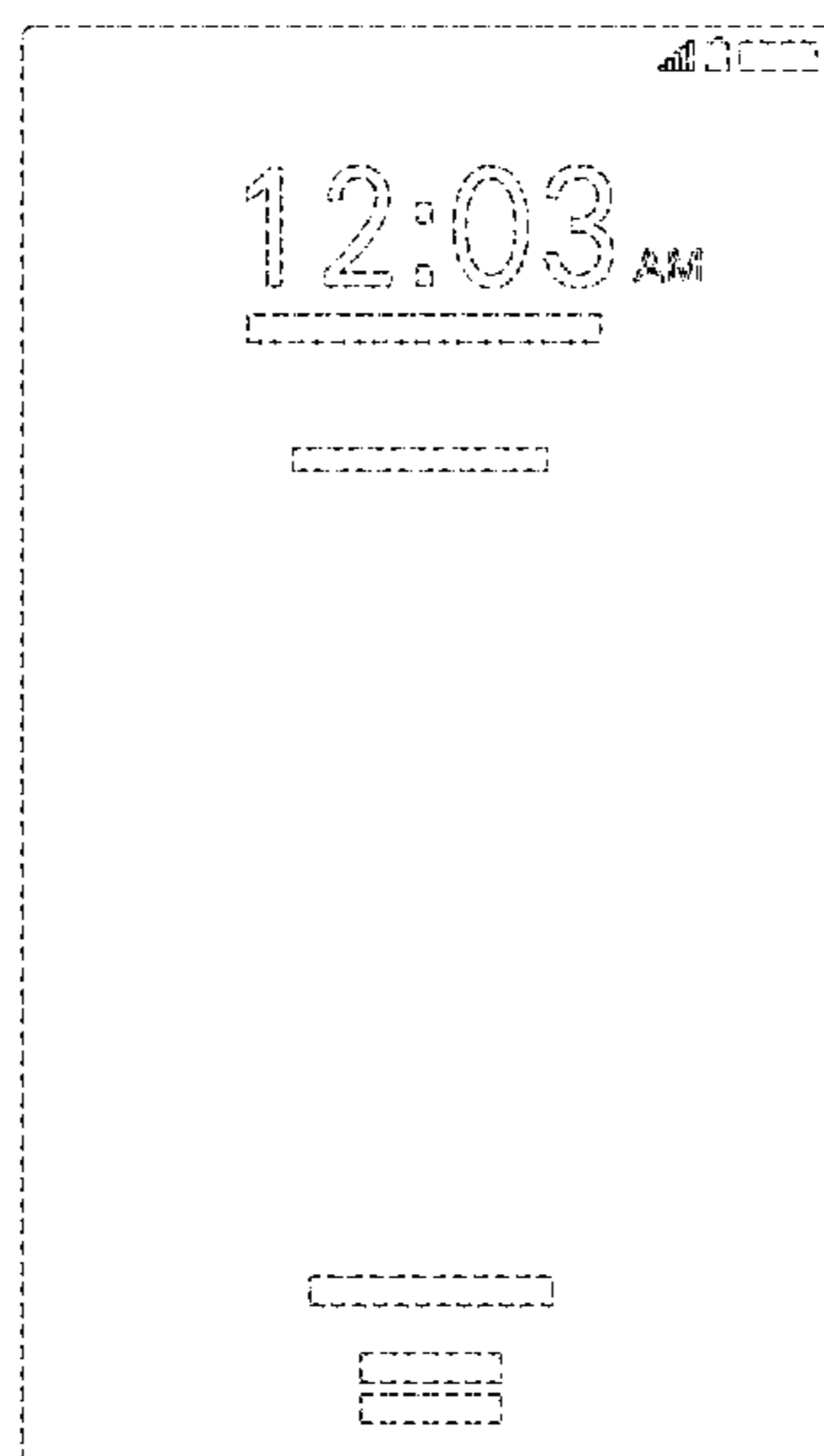
FIG. 20 is the ninth image thereof; and,

FIG. 21 is the tenth image thereof.

The appearance of the animated user interface sequentially transitions between the images shown in FIGS. 1-11 and FIGS. 12-21. The process or period between which one image transitions to another forms no part of the claimed design.

The broken line showing the display screen or portion thereof and forms no part of the claimed design. The broken lines showing portions of the animated graphical user interface form no part of the claimed design.

1 Claim, 6 Drawing Sheets



(58) **Field of Classification Search**
 CPC G06F 3/048; G06F 3/0481; G06F 3/04812;
 G06F 3/04815; G06F 3/04817; G06F
 3/0482; G06F 3/0483; G06F 3/0484;
 G06F 3/04842; G06F 3/04845; G06F
 3/04847; G06F 3/0485; G06F 3/04855;
 G06F 3/0486; G06F 3/0487; G06F
 3/0488; G06F 3/04883; G06F 3/04886;
 H04N 1/00424

See application file for complete search history.

(56) **References Cited**

U.S. PATENT DOCUMENTS

D630,643 S 1/2011 Wilson
 D644,661 S 9/2011 Gardner
 D645,470 S 9/2011 Matas
 D676,060 S 2/2013 Frost
 D677,271 S 3/2013 Phelan

D690,718 S	10/2013	Thomsen et al.	
D716,320 S	10/2014	Fan et al.	
D716,321 S	10/2014	Fan et al.	
D722,072 S	2/2015	Sloo et al.	
D726,219 S	4/2015	Chaudhri et al.	
D737,288 S	8/2015	Oda et al.	
D738,389 S	9/2015	Drozd et al.	
D738,909 S	9/2015	Herold et al.	
D740,300 S	10/2015	Lee et al.	
D740,301 S	10/2015	Soegiono et al.	
D741,898 S	10/2015	Soegiono et al.	
D742,910 S	11/2015	Drozd et al.	
D744,535 S	12/2015	Shin et al.	
D750,650 S	3/2016	Lee et al.	
D763,908 S *	8/2016	Drozd	D14/485
D783,673 S *	4/2017	Xu	D14/489
D783,674 S *	4/2017	Yang	D14/489
2013/0227450 A1 *	8/2013	Na	G06F 3/048 715/764
2014/0380219 A1	12/2014	Cartan	

* cited by examiner

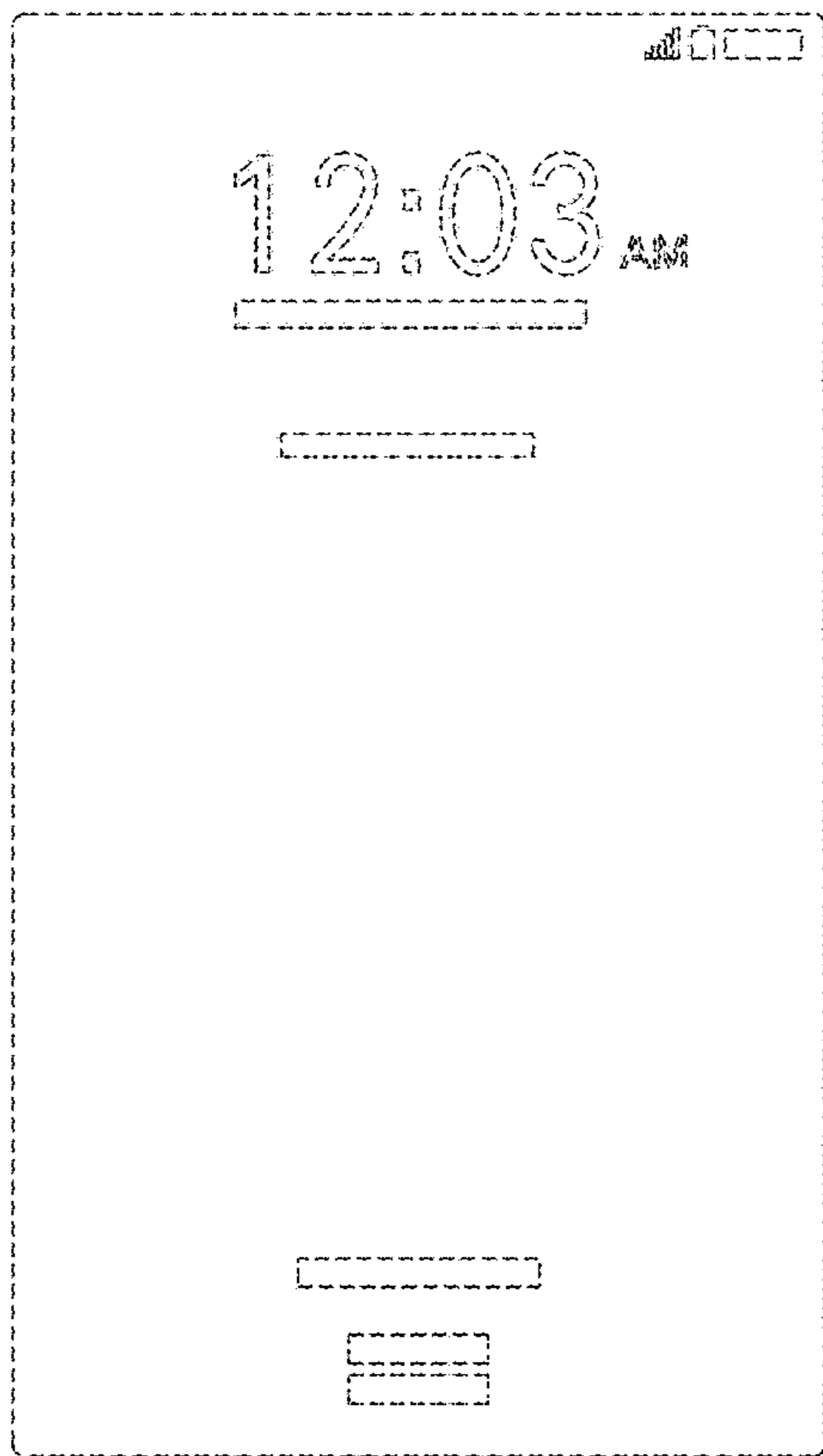


FIG. 1

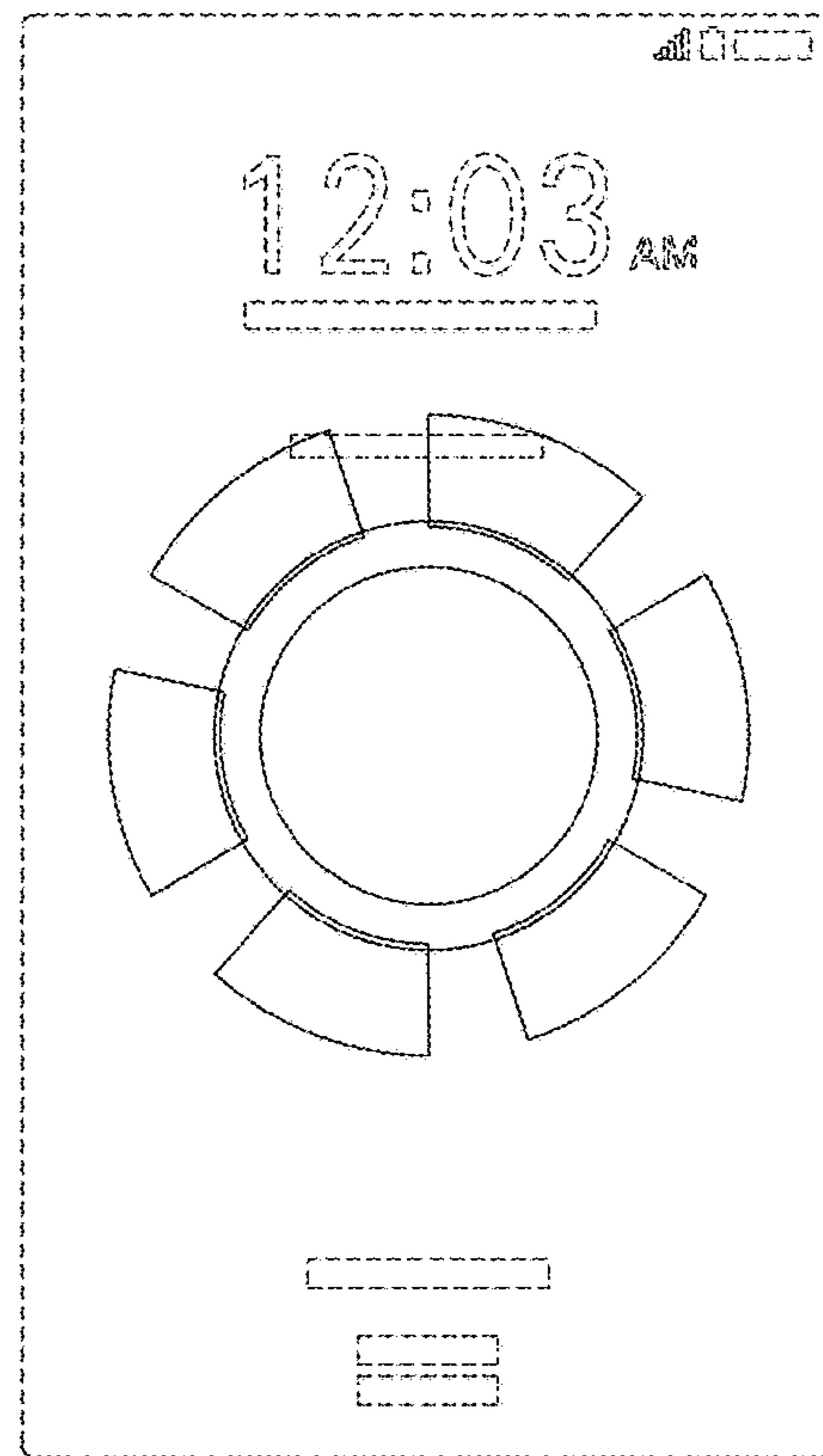


FIG. 2

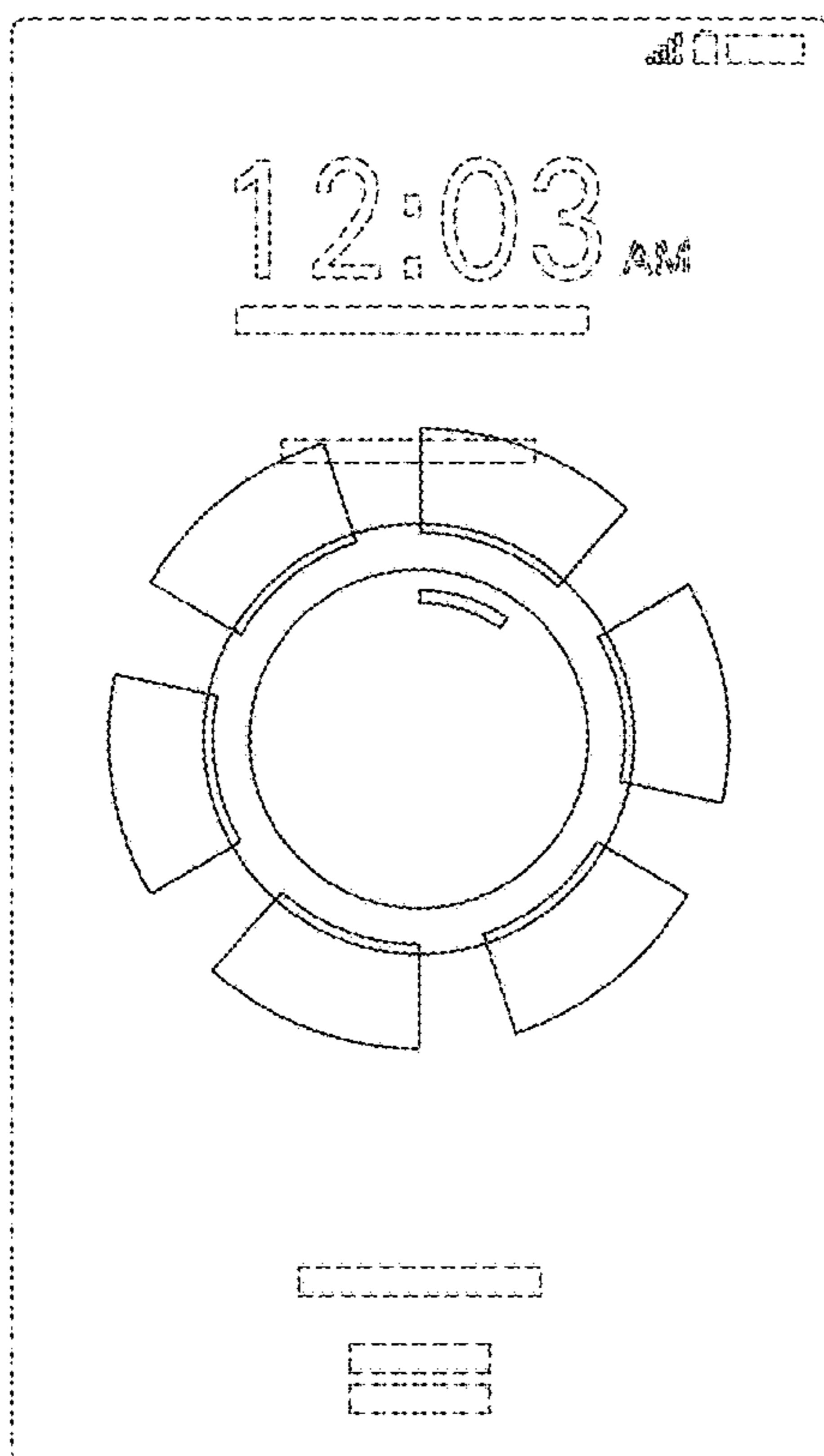


FIG. 3

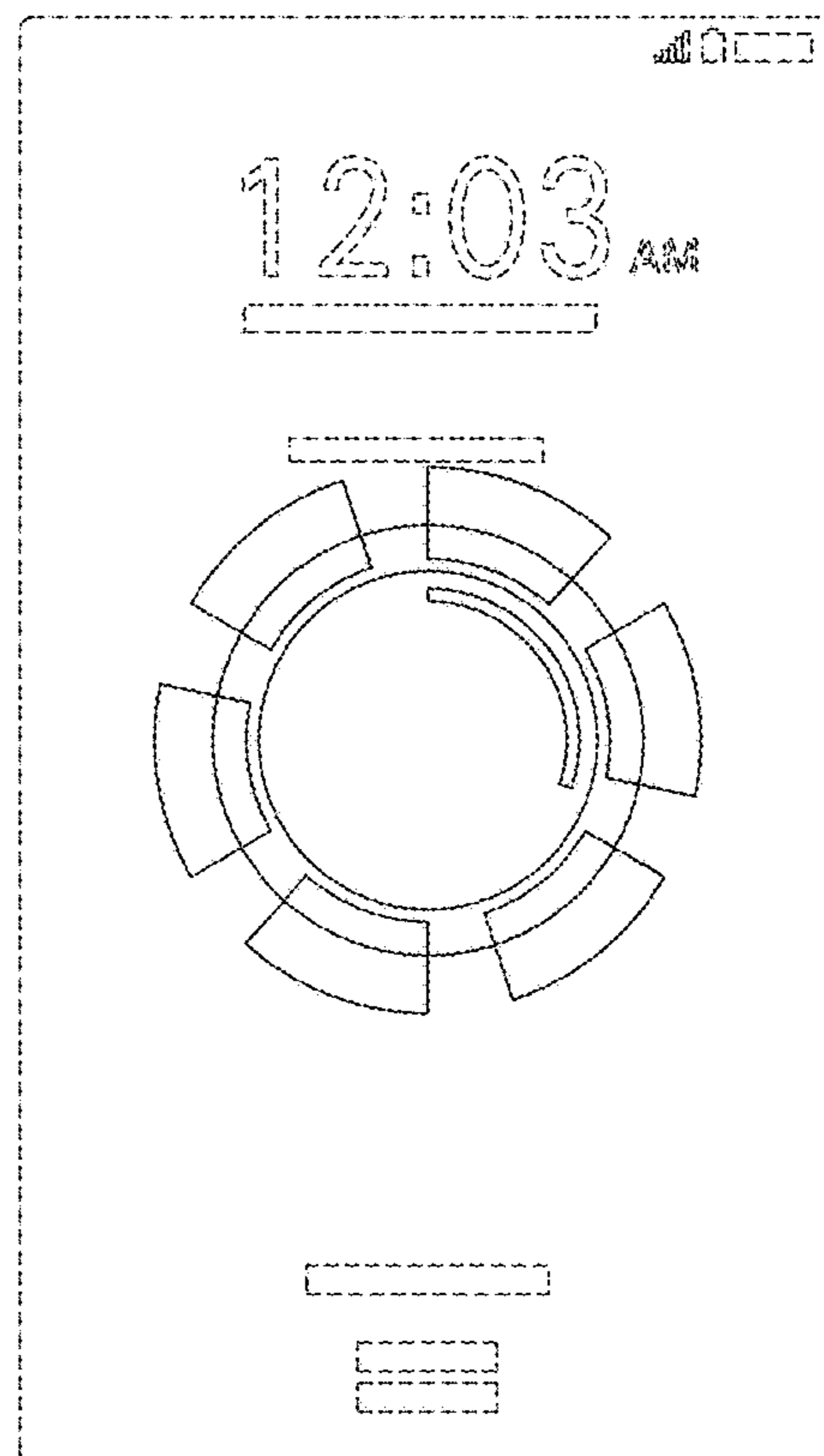


FIG. 4

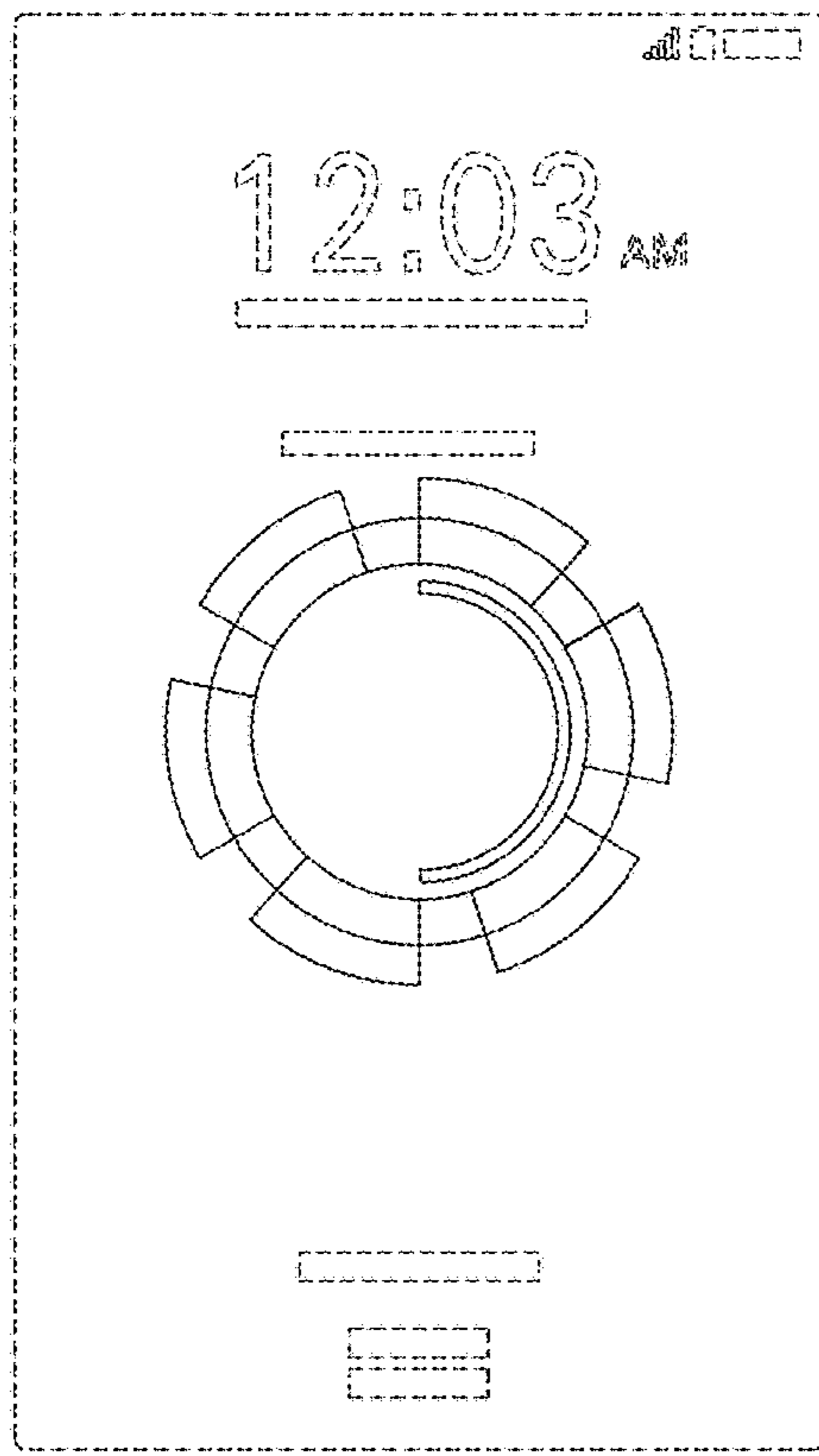


FIG. 5

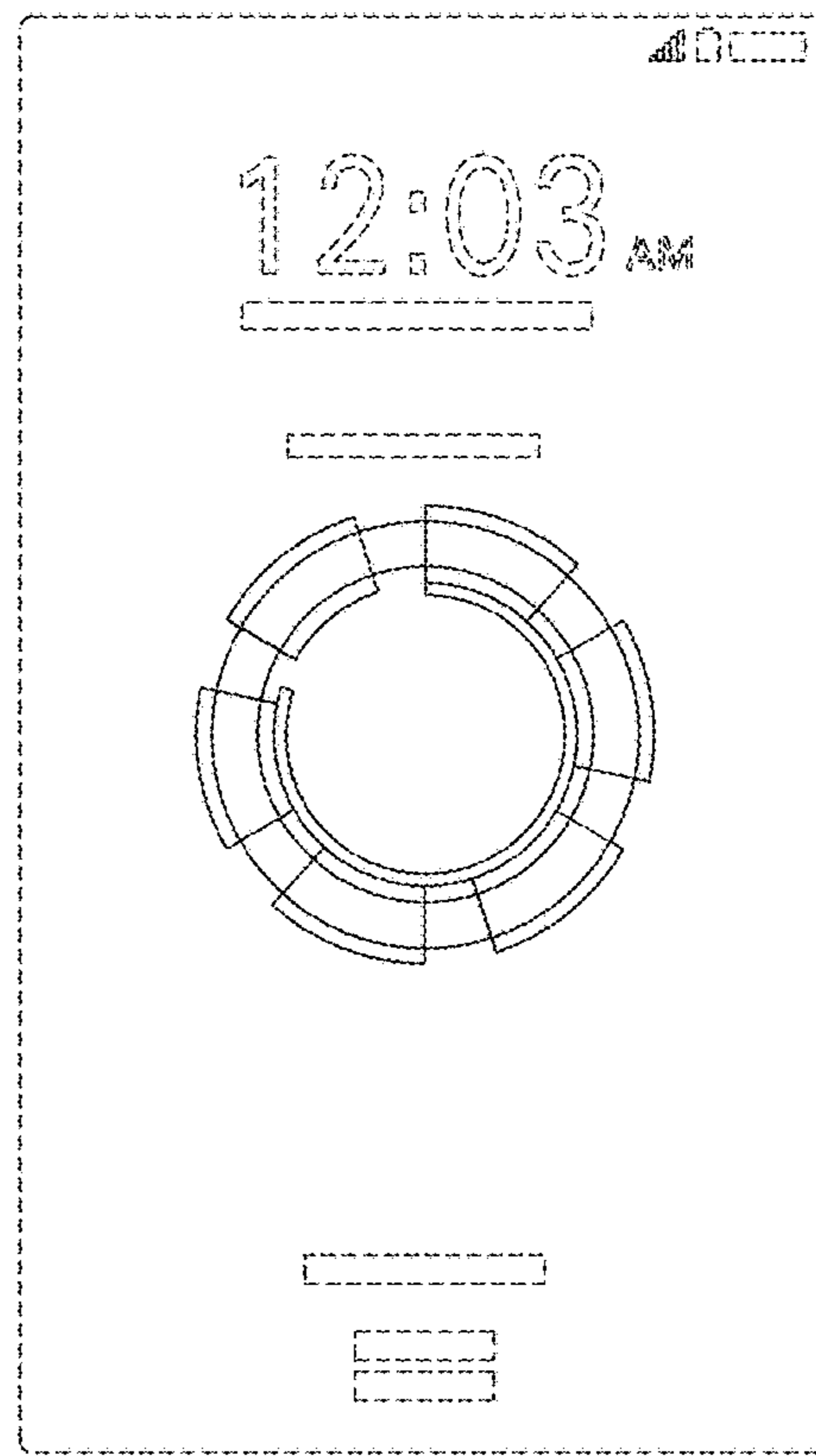


FIG. 6

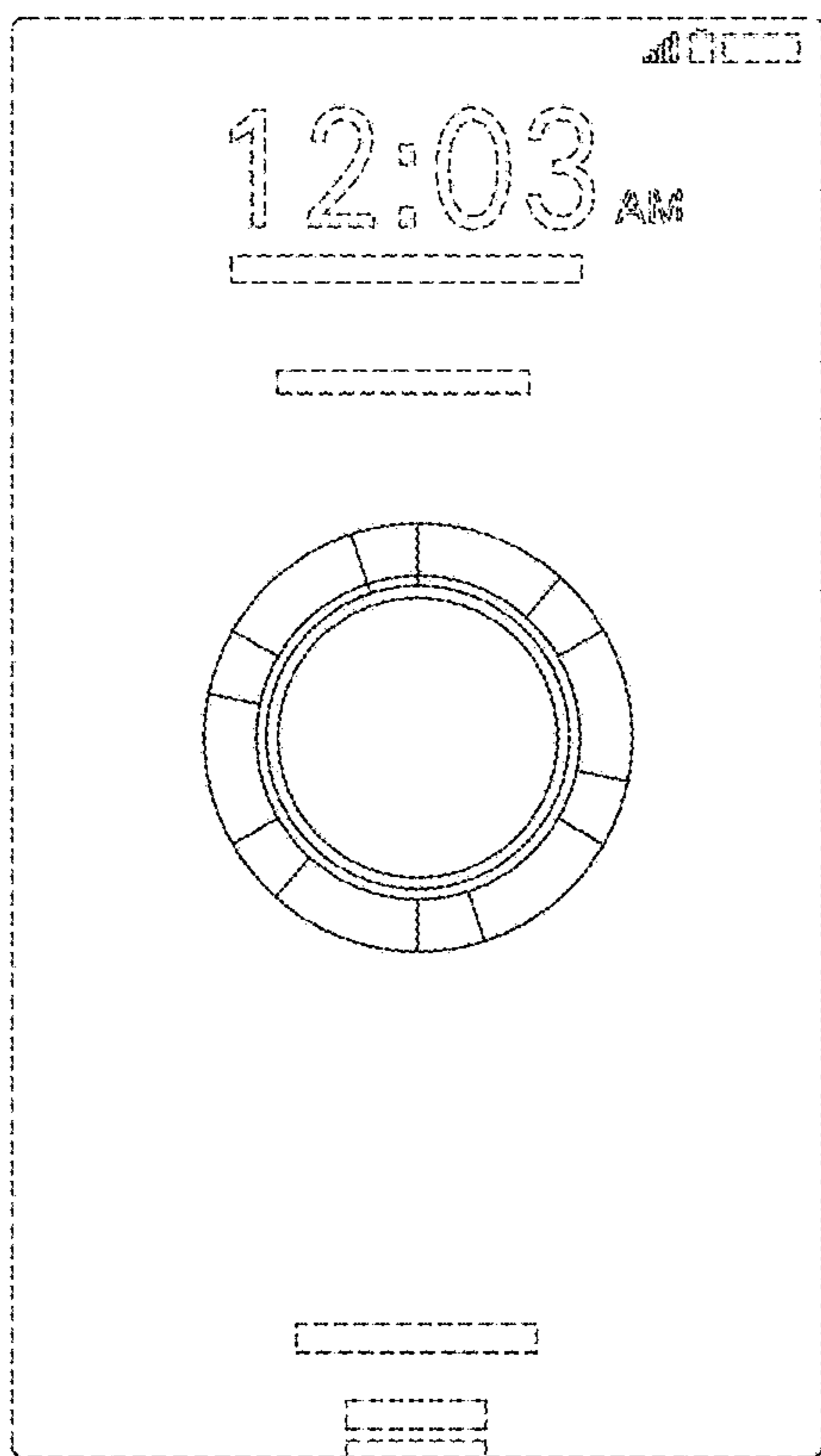


FIG. 7

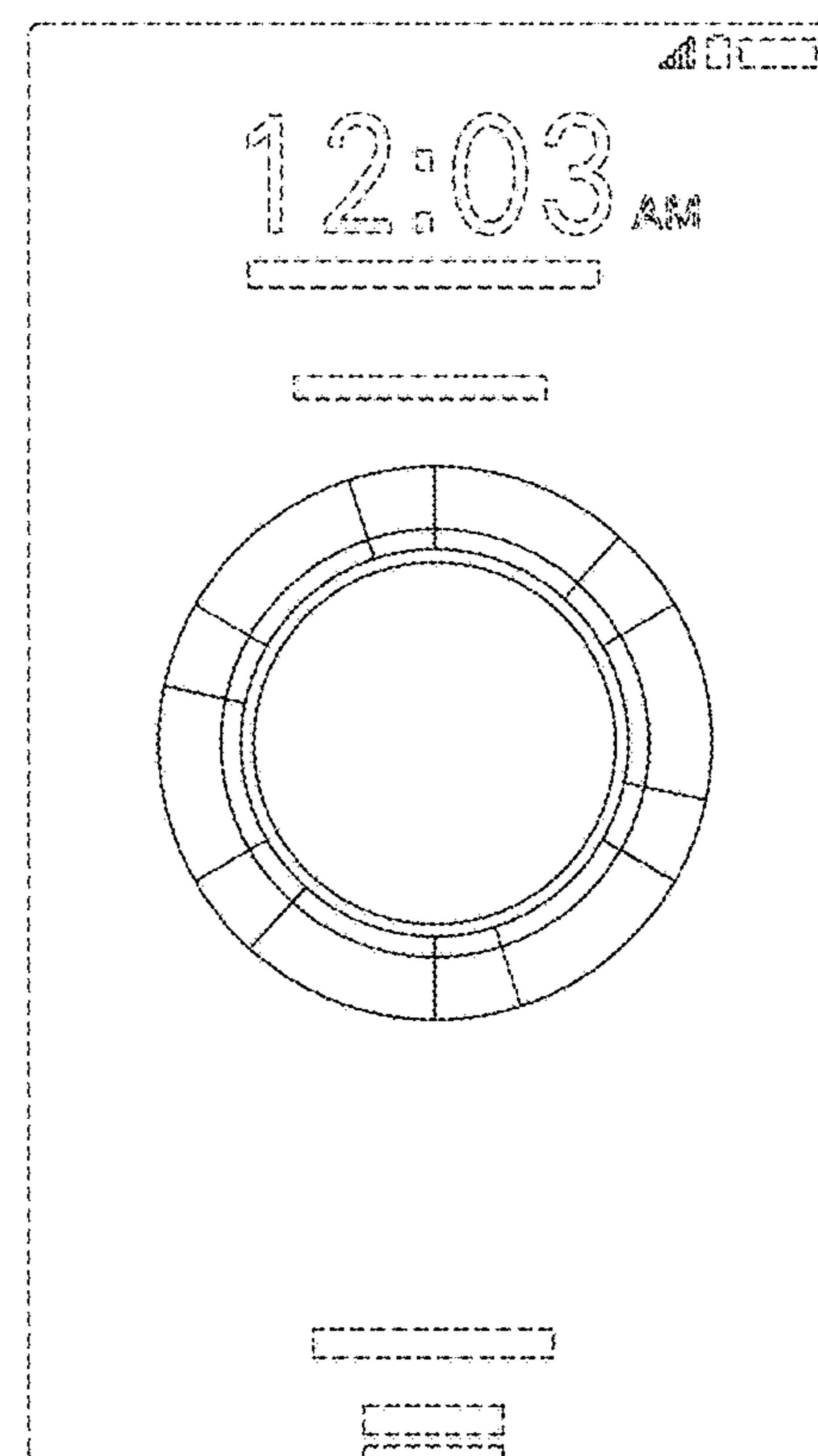


FIG. 8

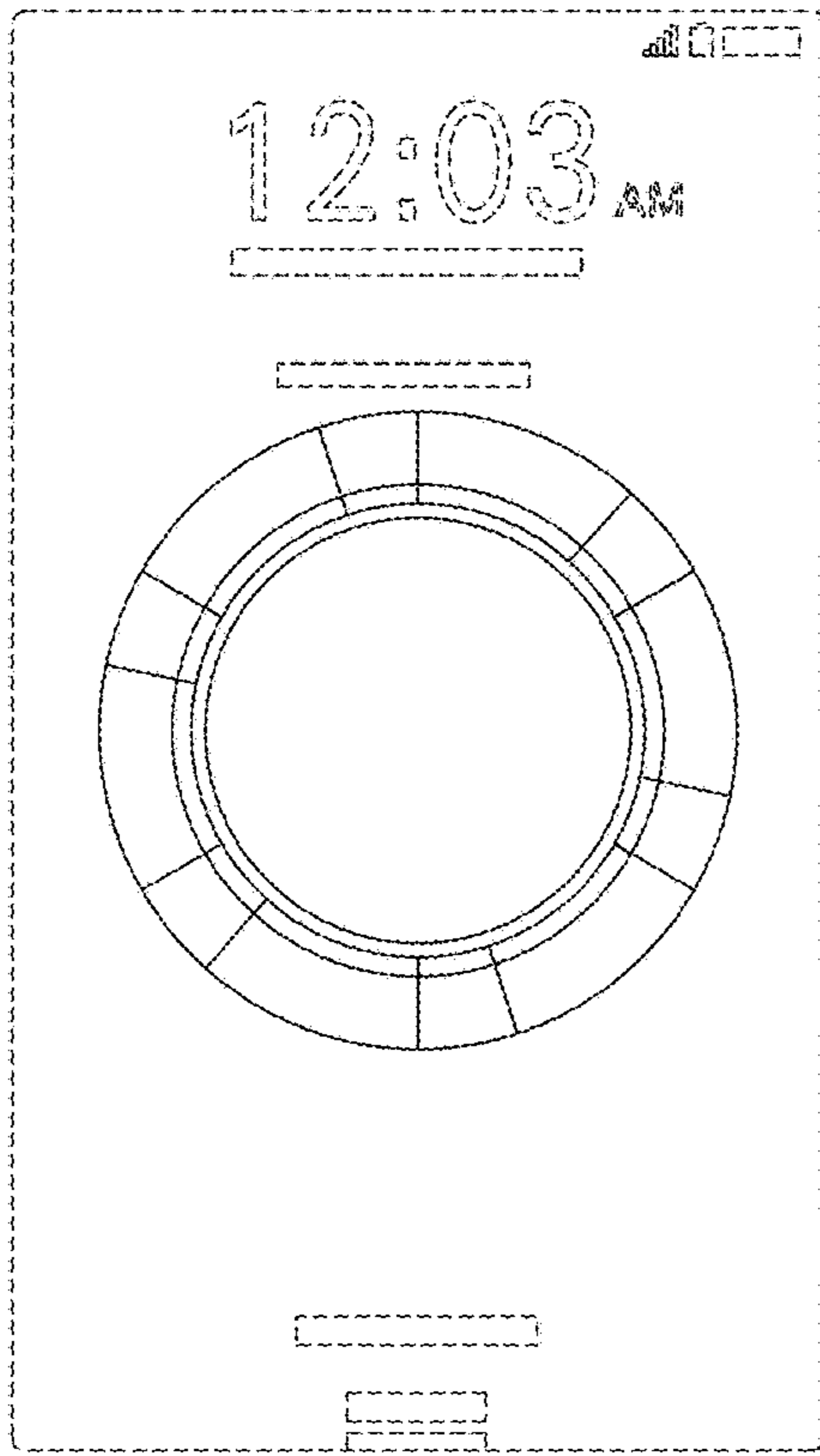


FIG. 9

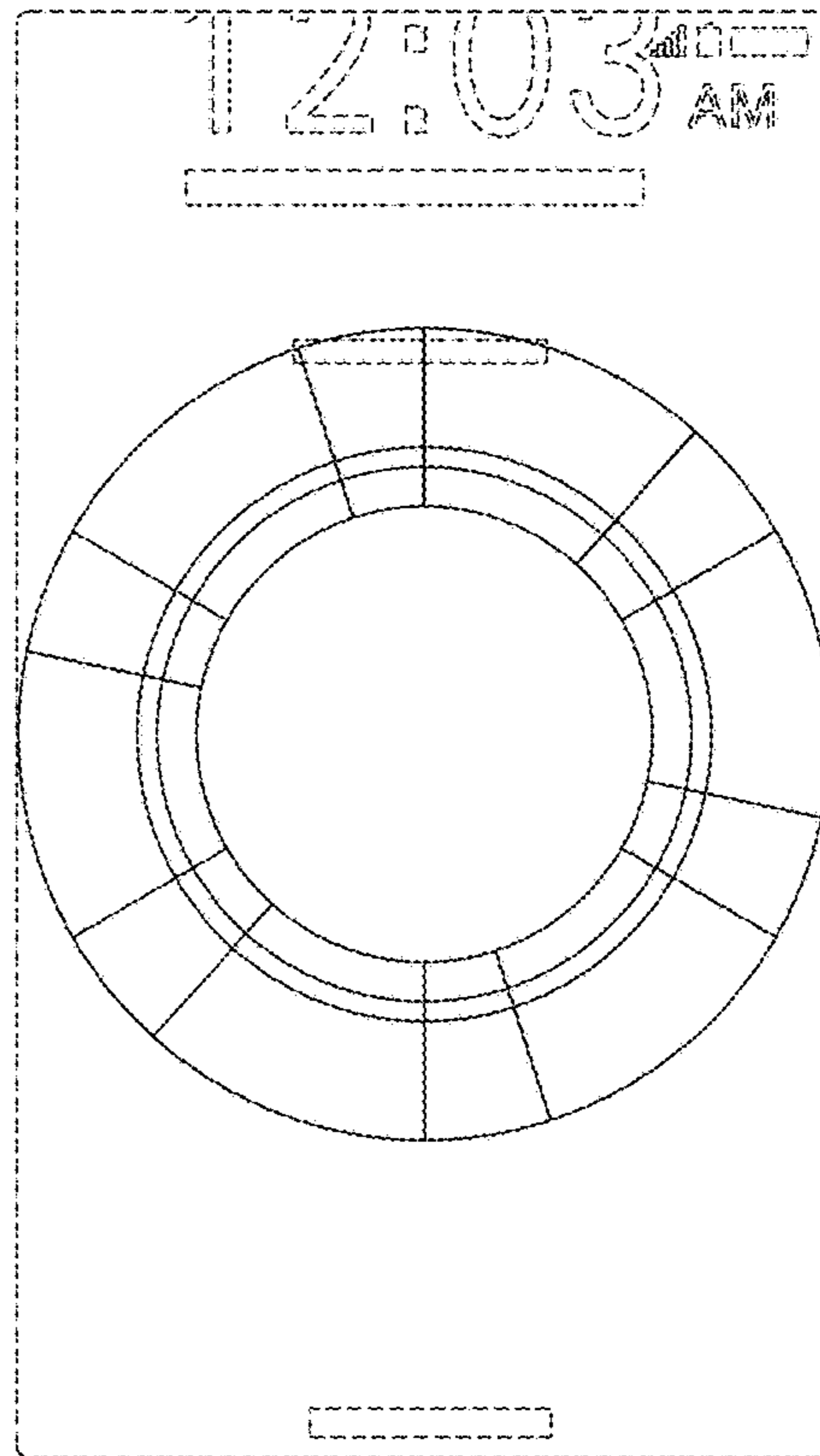


FIG. 10

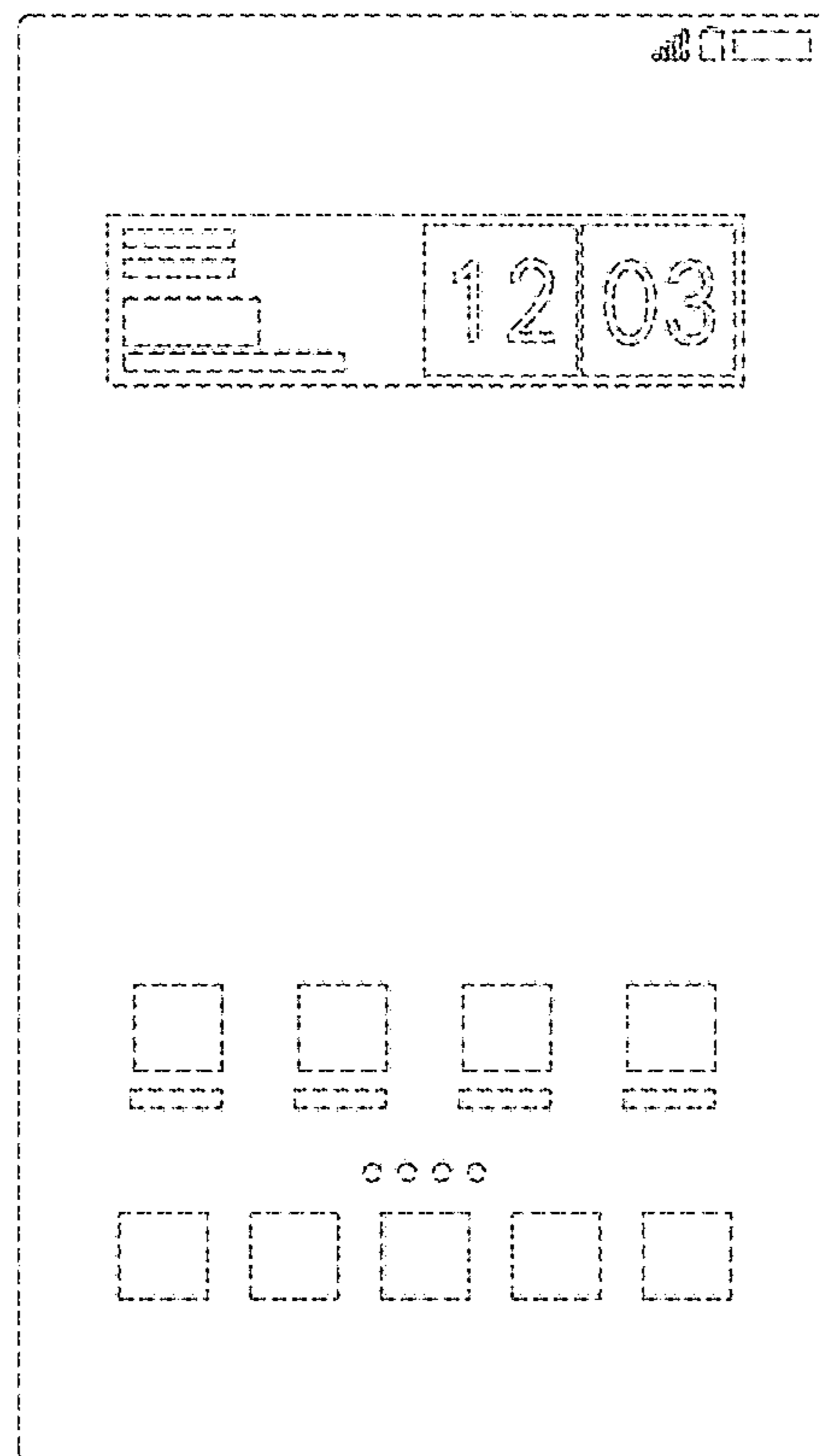


FIG. 11

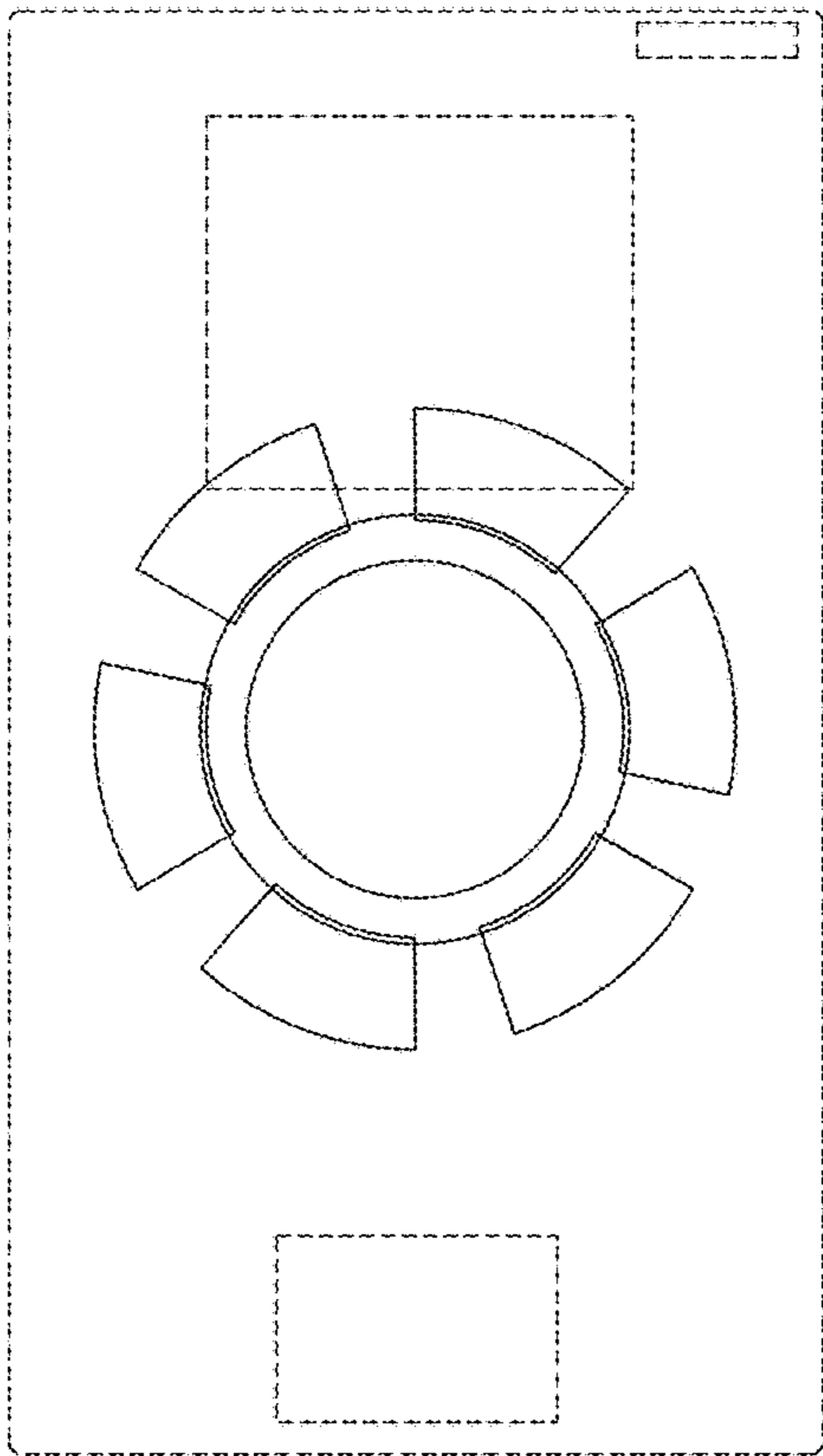


FIG. 12

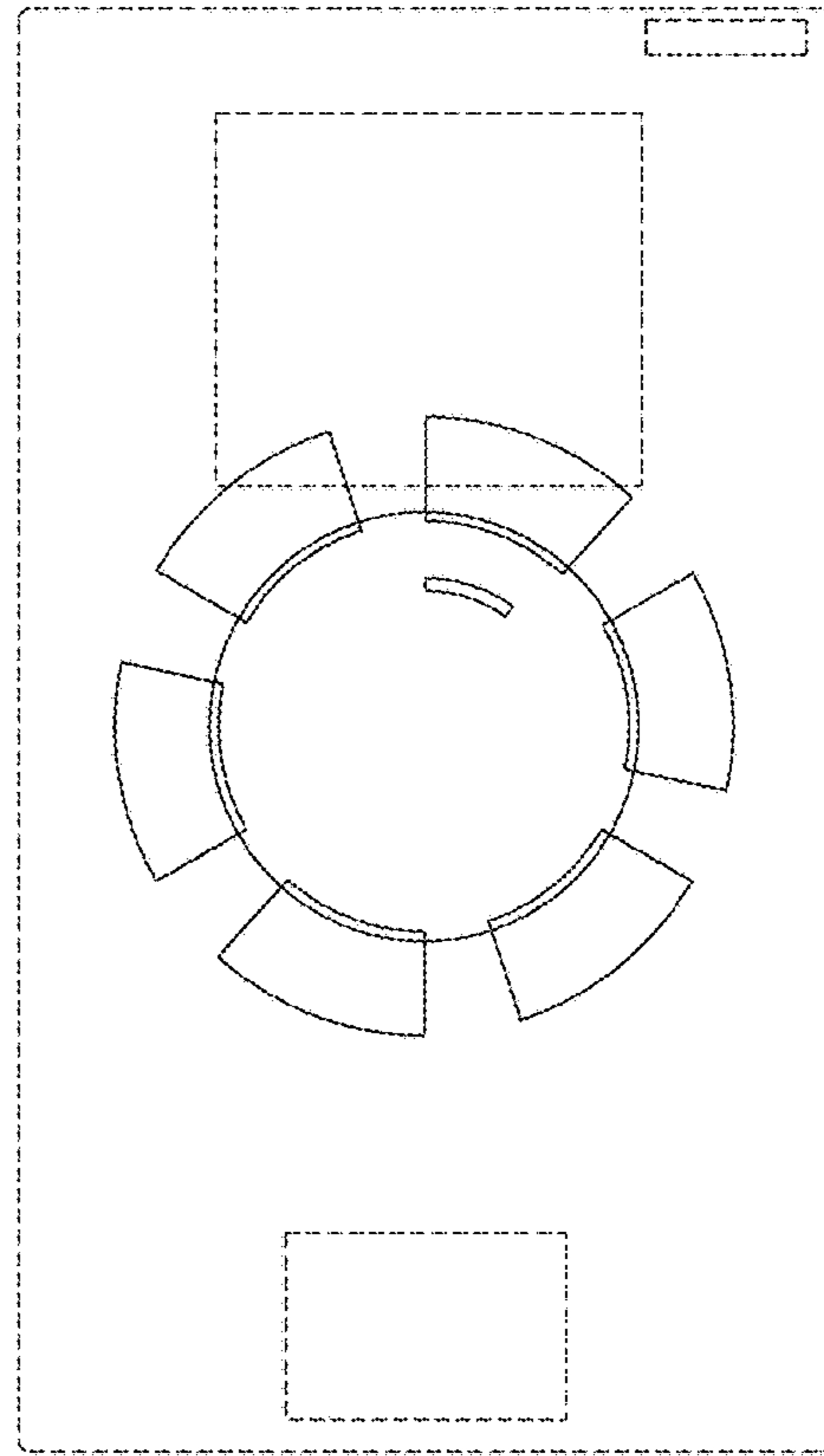


FIG. 13

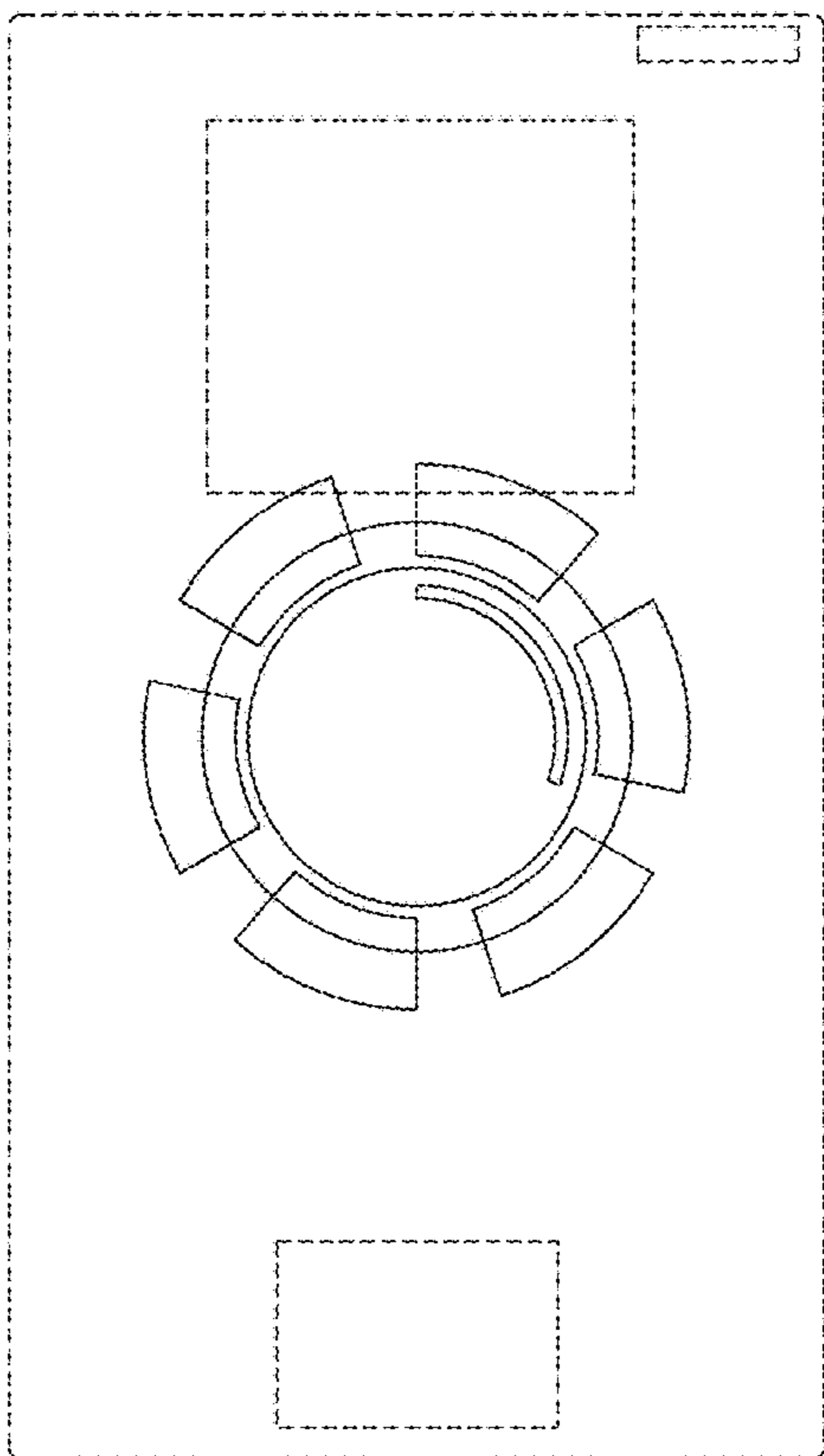


FIG. 14

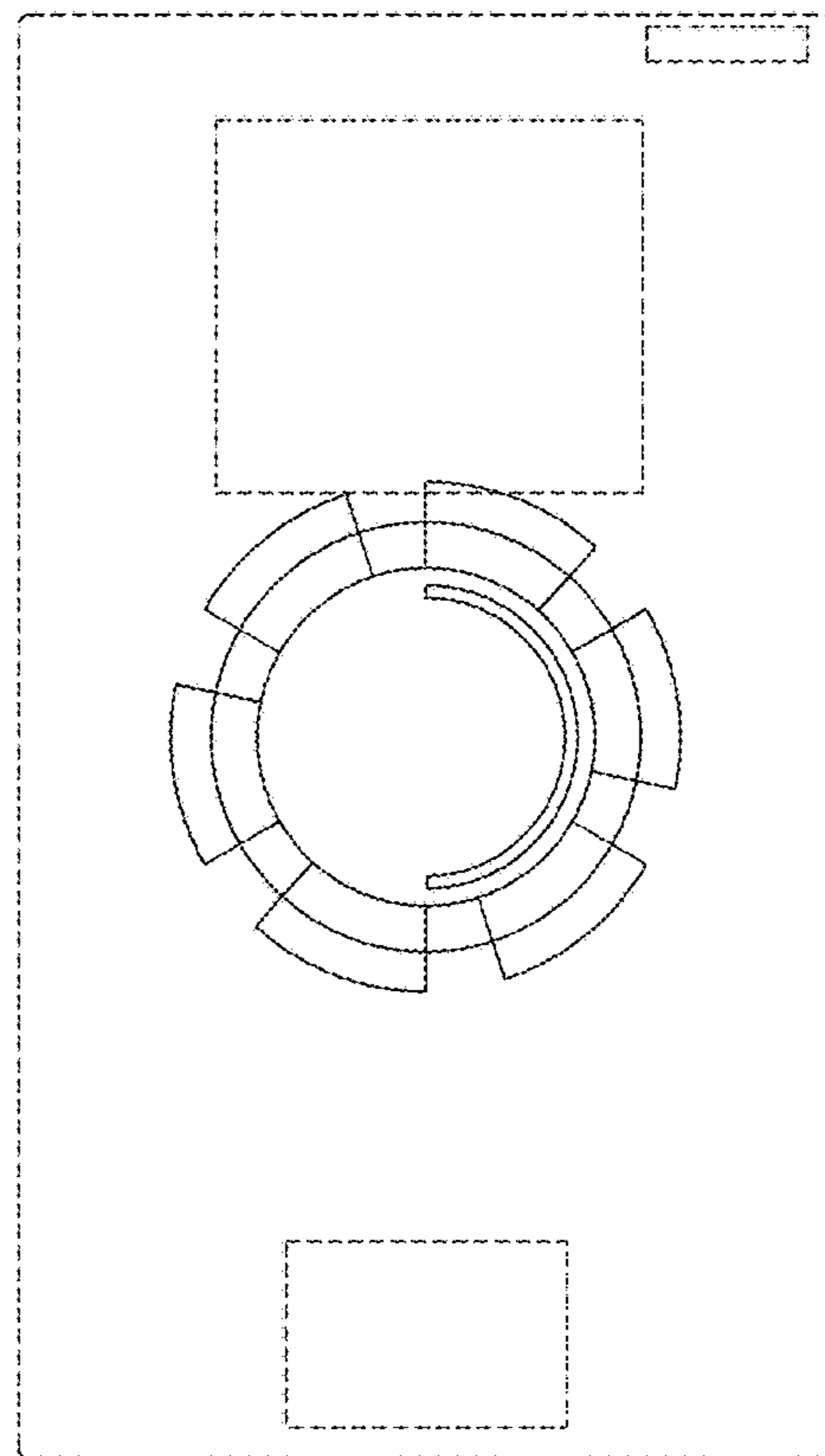


FIG. 15

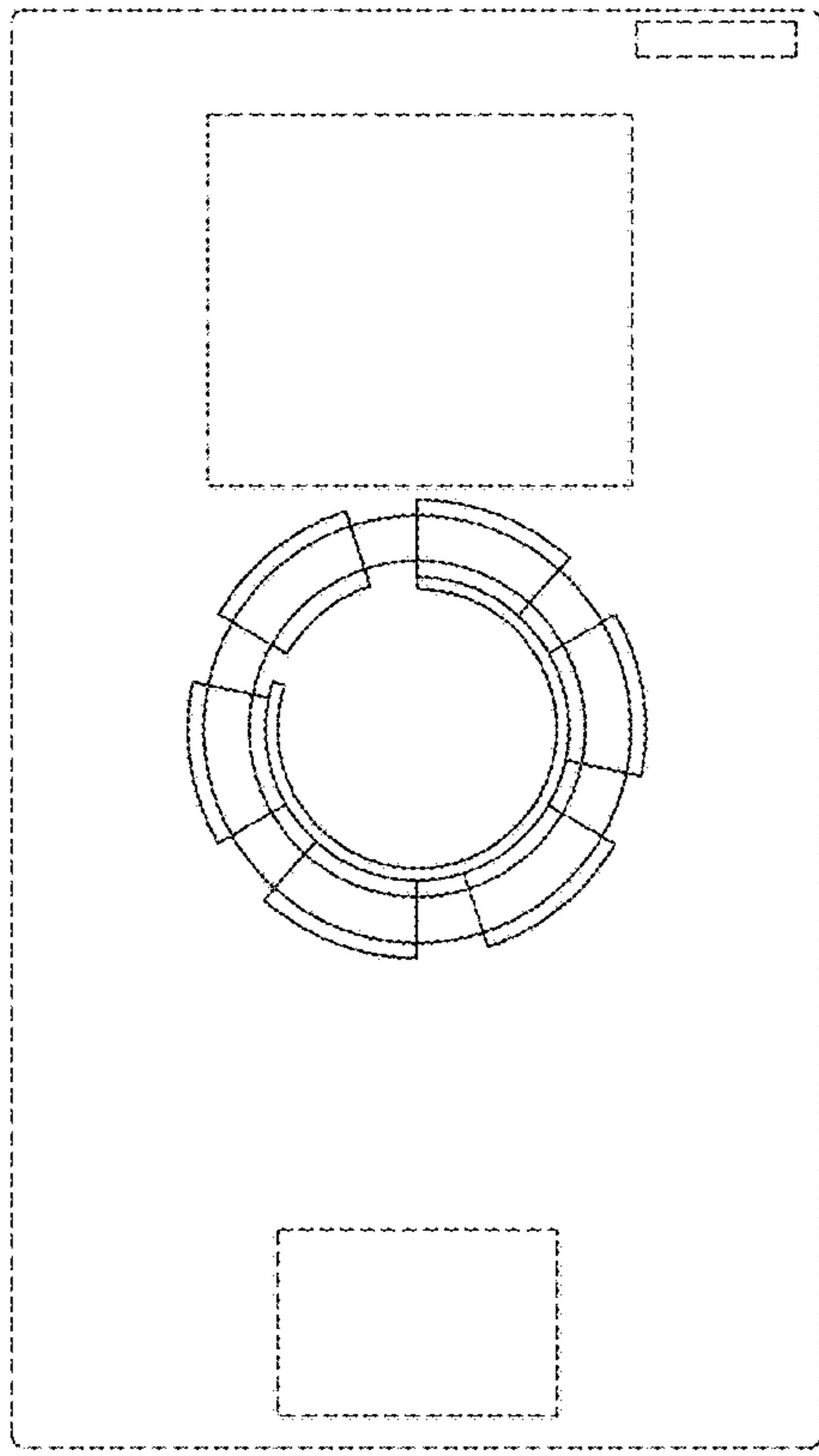


FIG.16

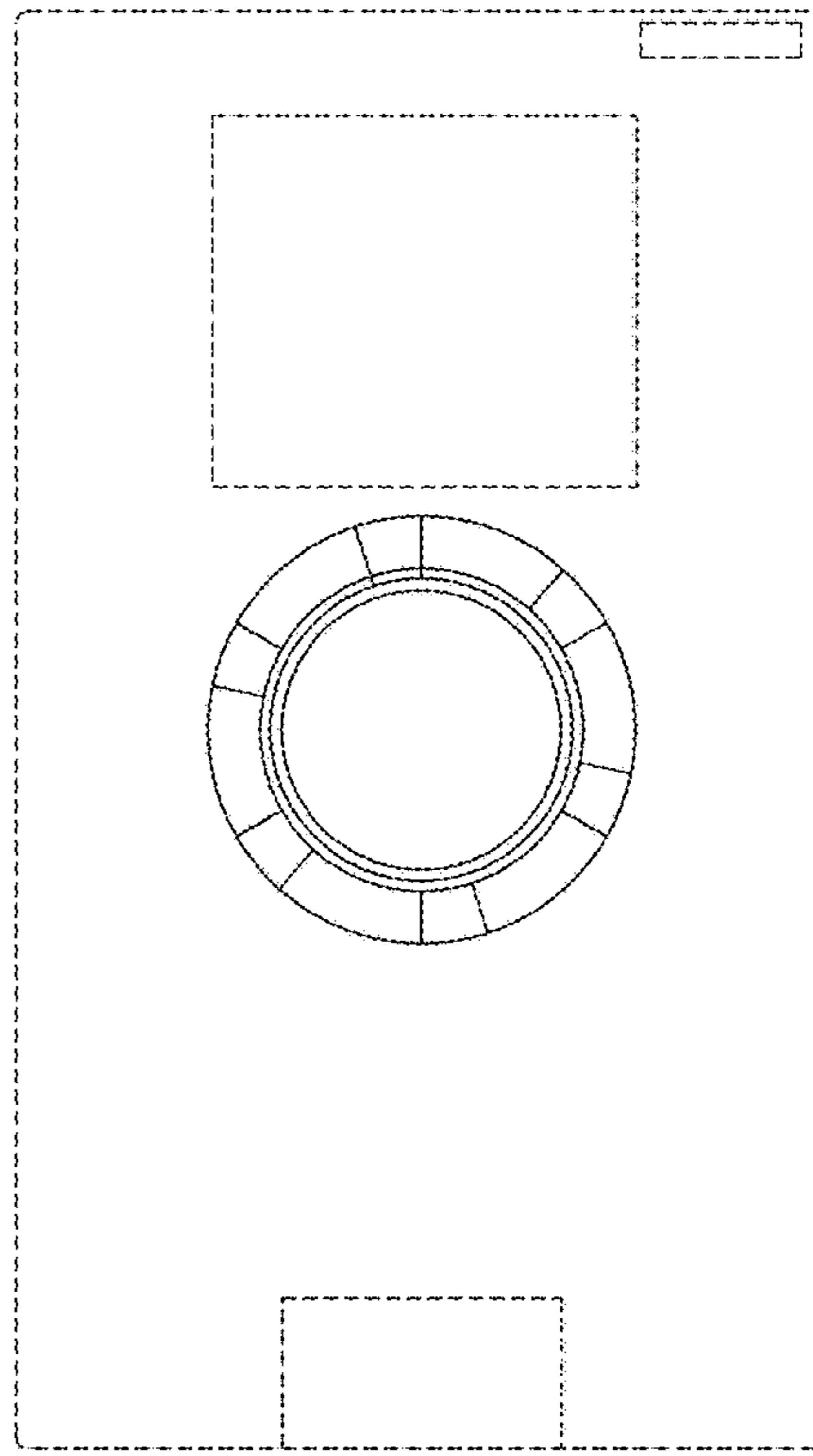


FIG.17

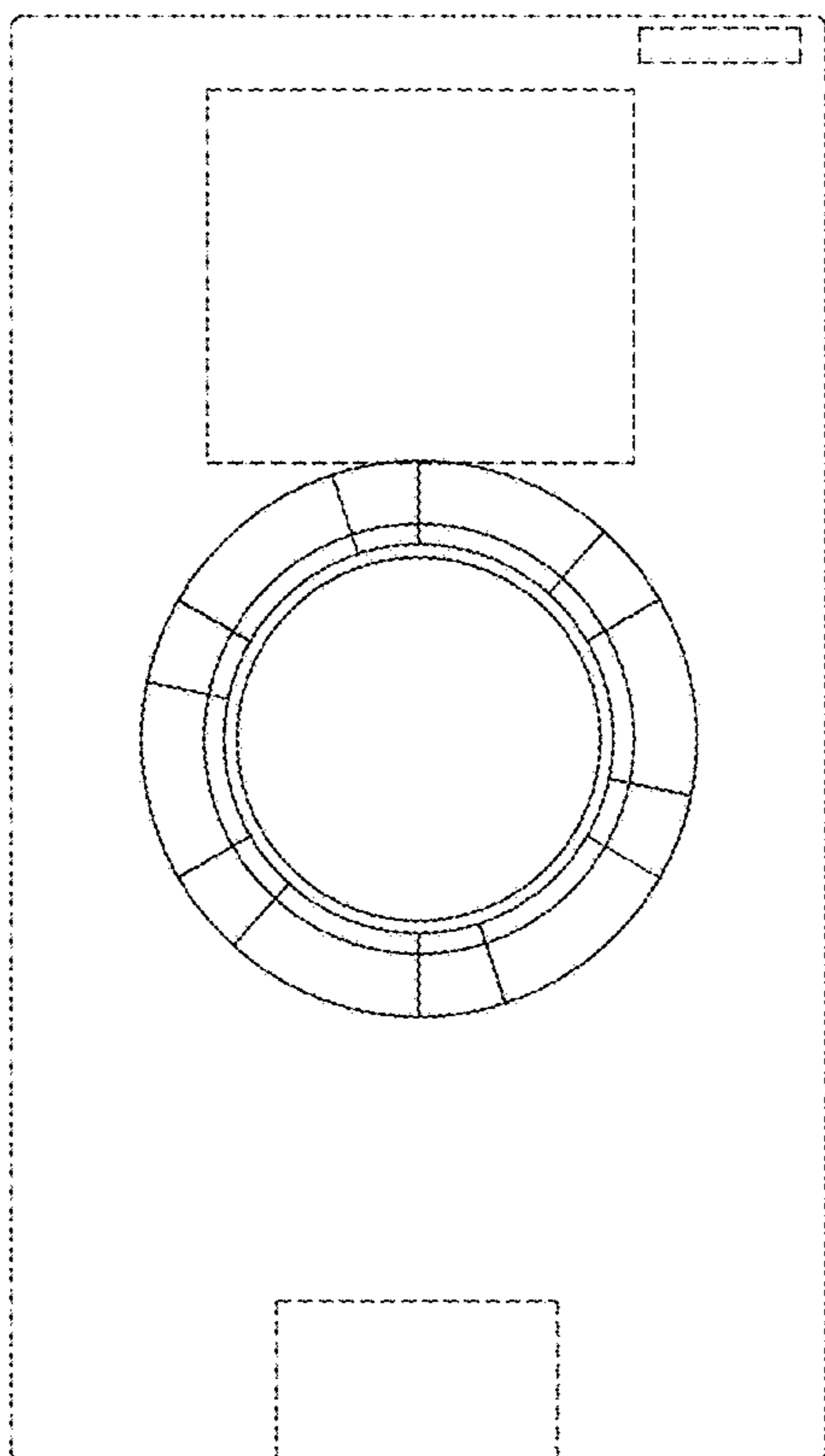


FIG.18

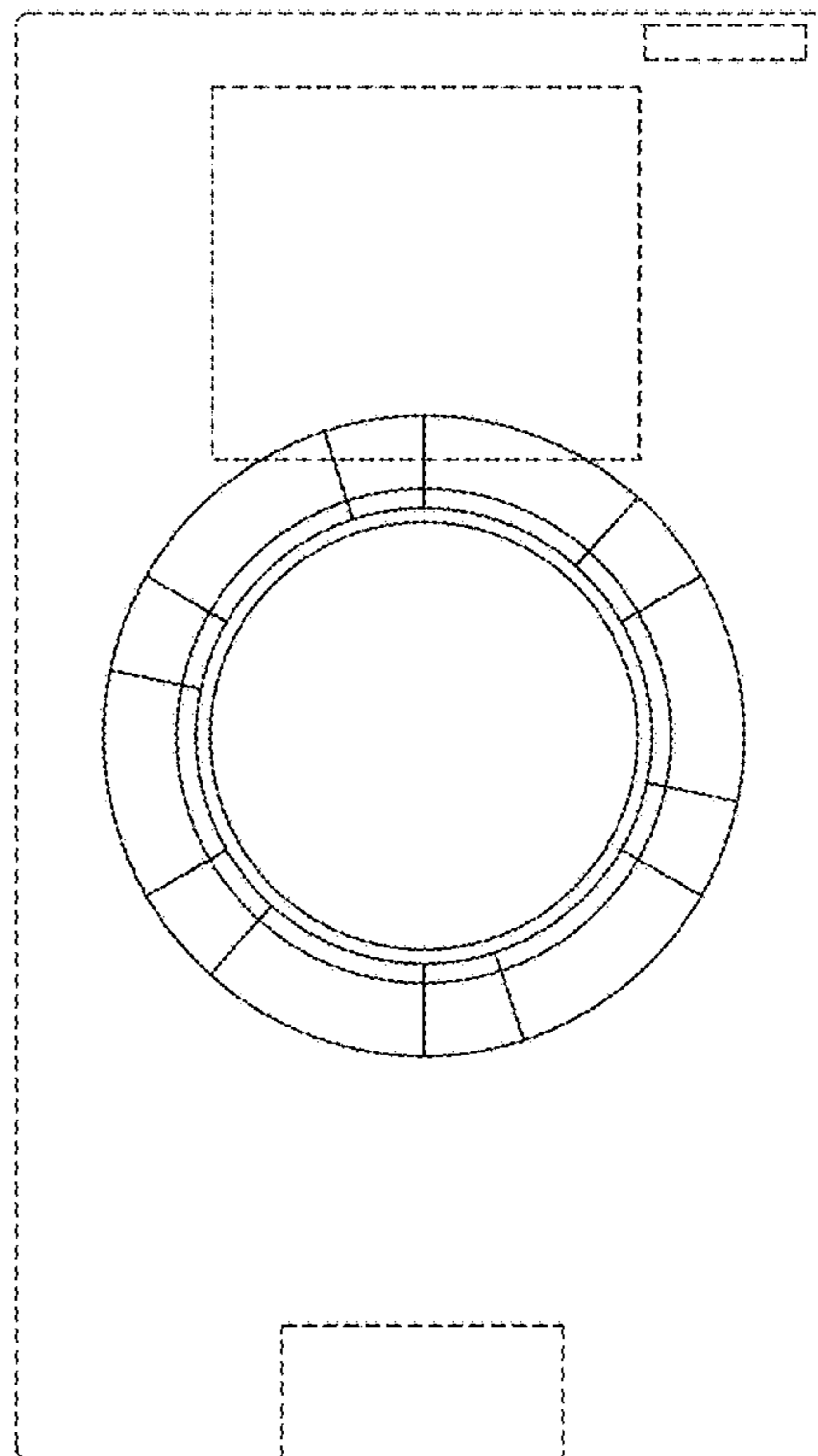


FIG.19

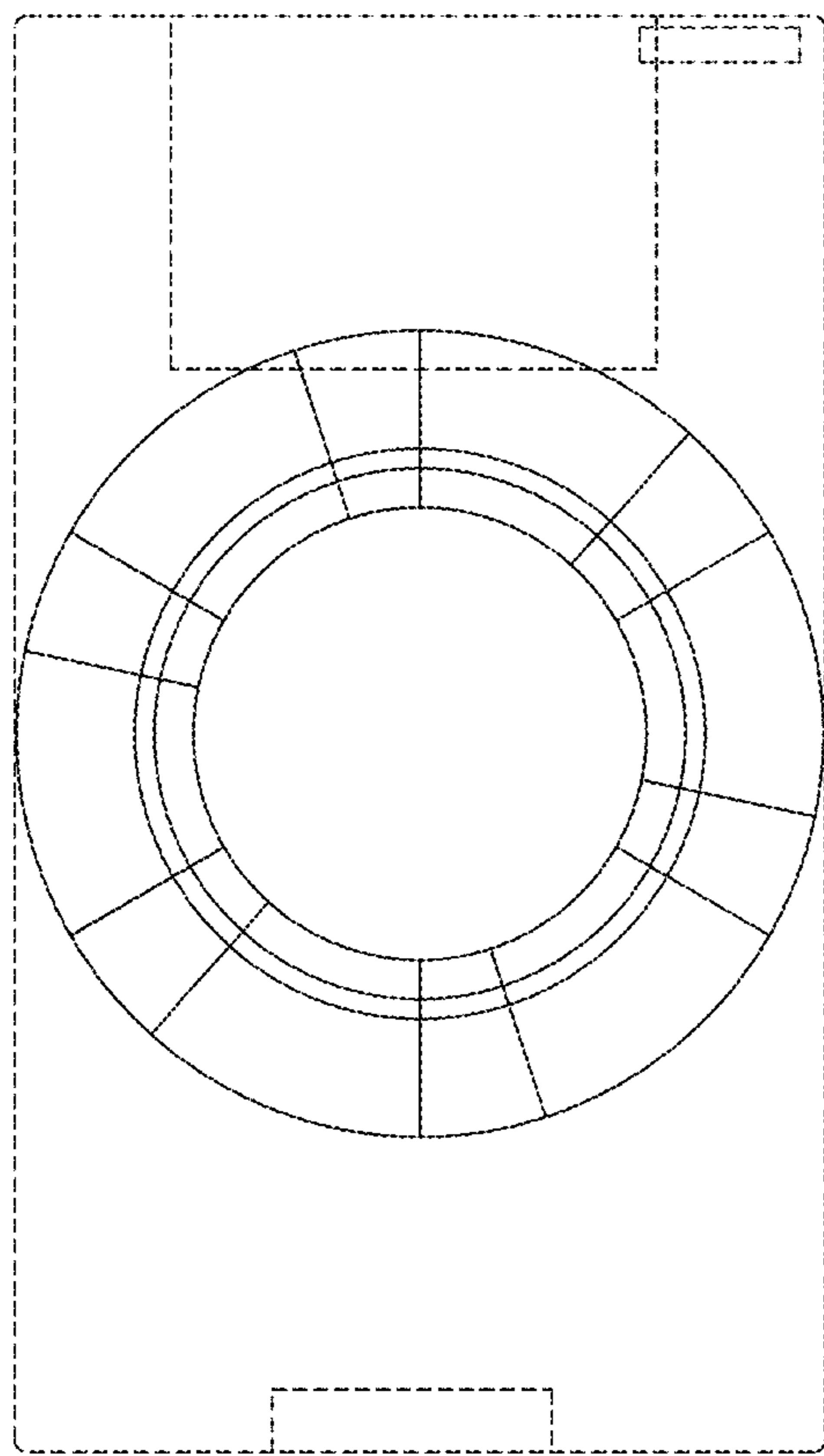


FIG.20

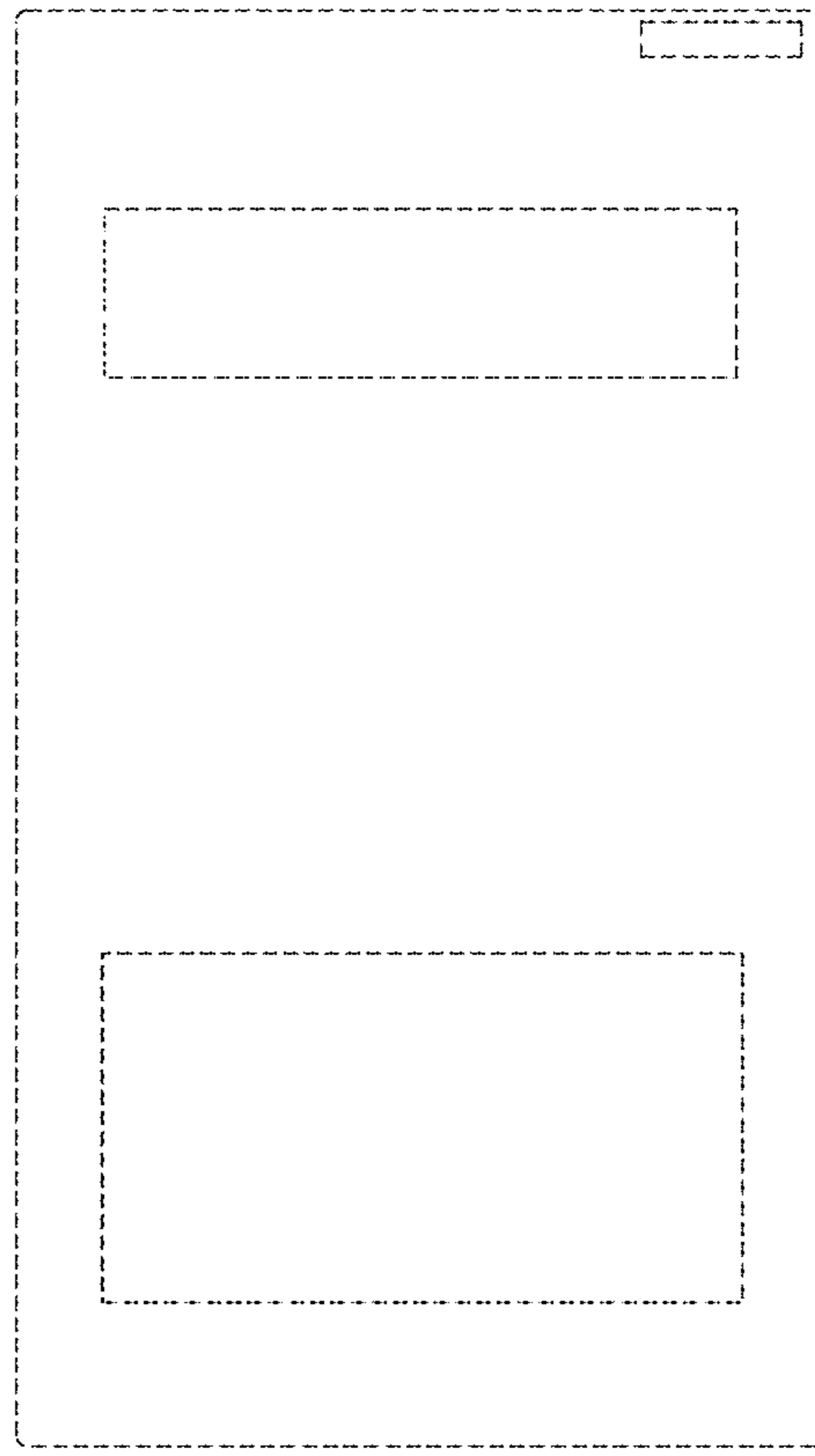


FIG.21