



US00D801384S

(12) **United States Design Patent**
Jeon et al.

(10) **Patent No.:** **US D801,384 S**
(45) **Date of Patent:** **** Oct. 31, 2017**

(54) **DISPLAY SCREEN OR PORTION THEREOF WITH TRANSITIONAL ICON**

D699,745 S * 2/2014 Pearson D14/488
D744,528 S * 12/2015 Agrawal D14/488
D746,859 S * 1/2016 Sabia D14/488

(71) Applicant: **Samsung Electronics Co., Ltd.**,
Suwon-si (KR)

(Continued)

(72) Inventors: **Eunjung Jeon**, Goyang-si (KR);
Jangwon Seo, Seoul (KR)

FOREIGN PATENT DOCUMENTS

(73) Assignee: **SAMSUNG ELECTRONICS CO., LTD.**,
Suwon-si (KR)

CN 303493041 12/2015
KR 30-0706097 8/2013
KR 30-0774085 12/2014

(**) Term: **15 Years**

Primary Examiner — Karen Kearney
Assistant Examiner — Katherine Holbrow

(21) Appl. No.: **29/569,222**

(74) *Attorney, Agent, or Firm* — McAndrews Held & Malloy, Ltd.

(22) Filed: **Jun. 24, 2016**

(57) **CLAIM**

(30) **Foreign Application Priority Data**

The ornamental design for a display screen or portion thereof with transitional icon, as shown and described.

Dec. 24, 2015 (KR) 30-2015-0066242

DESCRIPTION

(51) **LOC (10) Cl.** **14-04**

(52) **U.S. Cl.**
USPC **D14/489**; D14/488

(58) **Field of Classification Search**
USPC D14/485–495
CPC .. G06F 3/0482; G06F 3/04842; G06F 3/0488;
G06F 3/04817; G06T 2200/24; G06Q
50/01; H04L 51/32
See application file for complete search history.

FIG. 1 is the first image in a sequence for a display screen or portion thereof with transitional icon showing our new design;
FIG. 2 is the second image thereof;
FIG. 3 is the third image thereof;
FIG. 4 is the fourth image thereof;
FIG. 5 is the fifth image thereof;
FIG. 6 is the sixth image thereof; and,
FIG. 7 is the seventh image thereof.

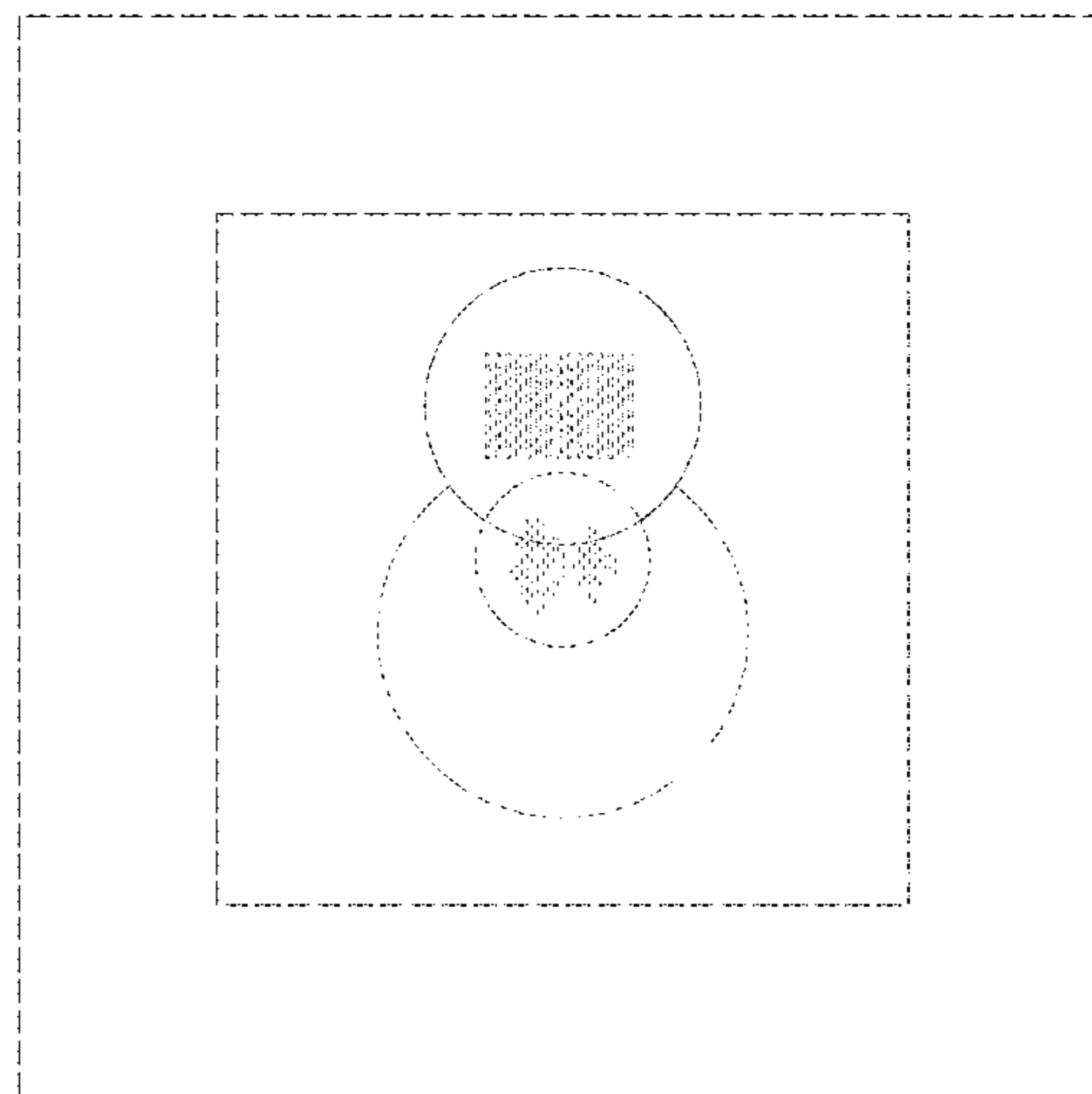
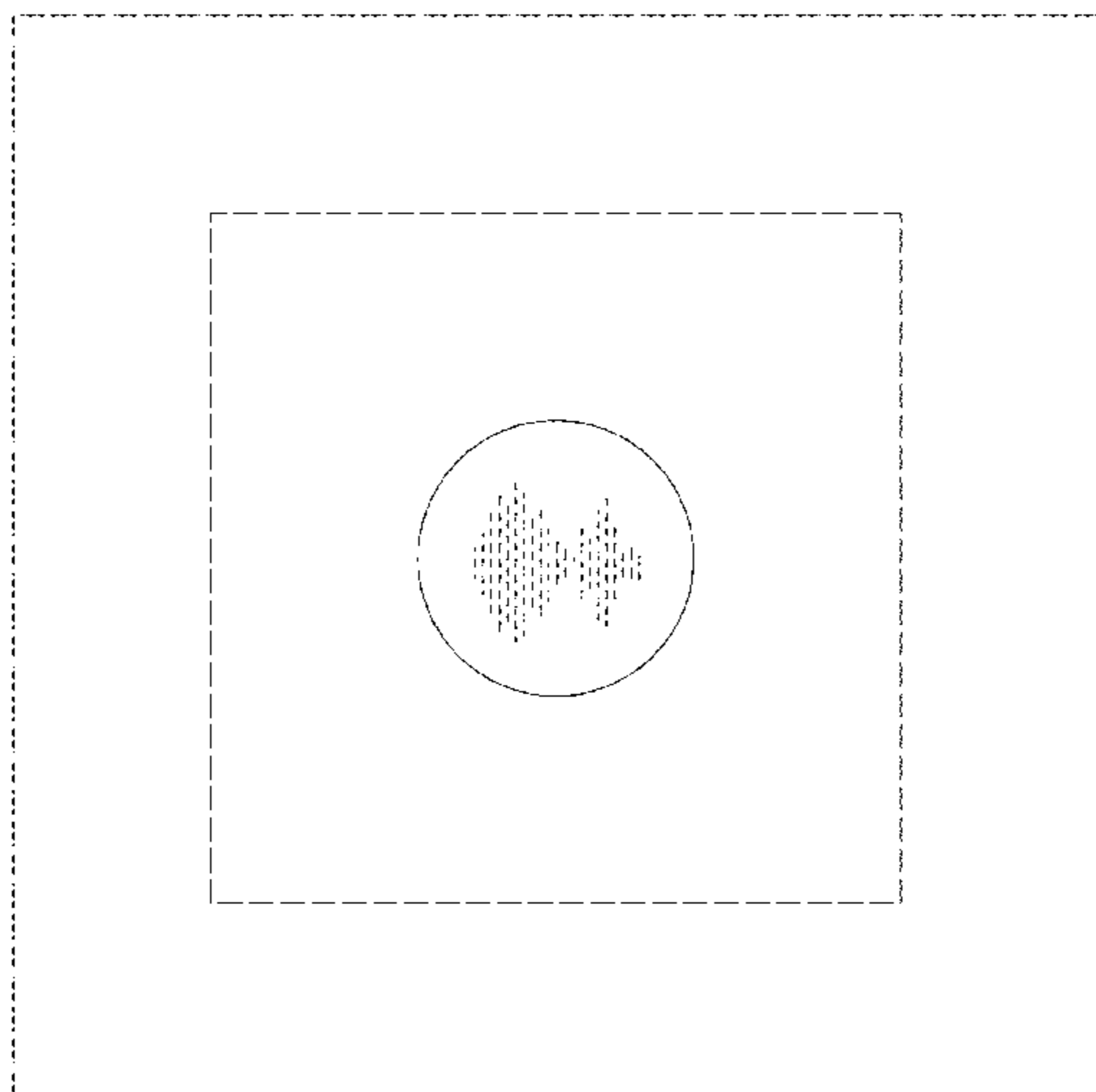
(56) **References Cited**

U.S. PATENT DOCUMENTS

5,784,056 A * 7/1998 Nielsen G06F 3/04812
715/839
D474,197 S * 5/2003 Nguyen D14/486
D542,301 S * 5/2007 Harvey D14/489
D613,301 S * 4/2010 Lee D14/489
D626,131 S 10/2010 Kruzeniski
8,006,198 B2 * 8/2011 Okuma G06F 3/04817
399/81
D691,171 S * 10/2013 Brinda D14/488

The outermost broken lines in the drawings illustrate the display screen or portion thereof and form no part of the claimed design. The remainder of the broken lines in the drawings illustrate portions of the transitional icon that form no part of the claimed design.
The appearance of the transitional image sequentially transitions between the images shown in FIGS. 1-7. The process or period in which one image transitions to another image forms no part of the claimed design.

1 Claim, 7 Drawing Sheets



(56)

References Cited

U.S. PATENT DOCUMENTS

D752,104 S * 3/2016 Lee G06F 3/04817
D14/494
D756,377 S * 5/2016 Connolly D14/485
D757,817 S * 5/2016 Pan G06F 3/04817
D14/494
D758,403 S * 6/2016 Lee D14/486
D758,422 S * 6/2016 Zhao G06F 3/04817
D14/488
D759,061 S * 6/2016 Sahoo D14/485
D759,682 S * 6/2016 Myung D14/485
D760,250 S * 6/2016 Myung D14/485
D760,251 S * 6/2016 Myung D14/485
D760,773 S * 7/2016 Cho D14/488
D761,270 S * 7/2016 Kaplan D14/485
D768,151 S * 10/2016 Yoo D14/485
D775,633 S * 1/2017 Wu D14/485
D777,768 S * 1/2017 Persson D14/487
D784,399 S * 4/2017 Herrera D14/487
D786,911 S * 5/2017 Cheon D14/486
2007/0070066 A1 * 3/2007 Bakhsh G06F 3/04815
345/419
2010/0281408 A1 * 11/2010 Fujioka G06F 3/04817
715/765

* cited by examiner

FIG. 1

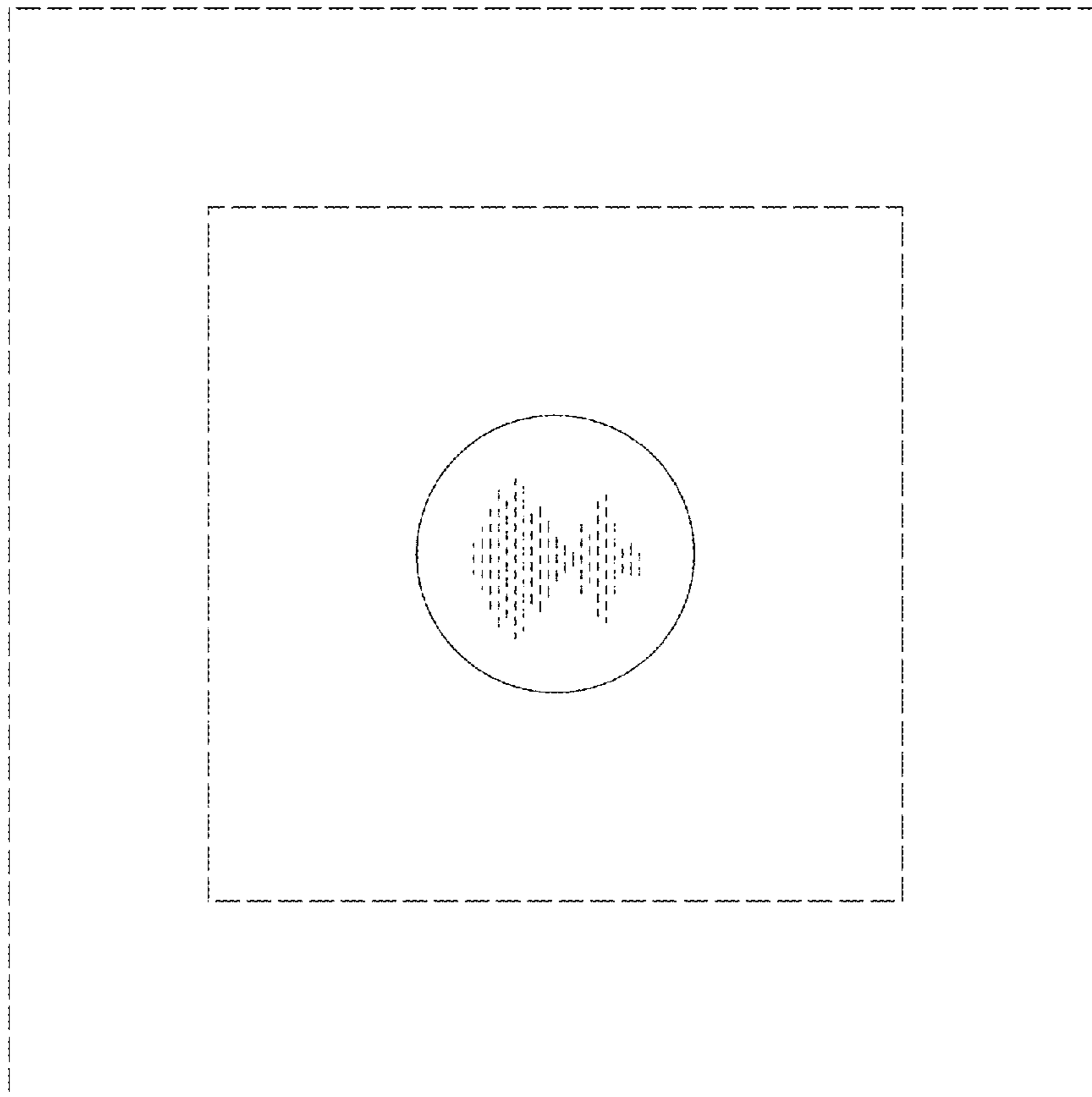


FIG. 2

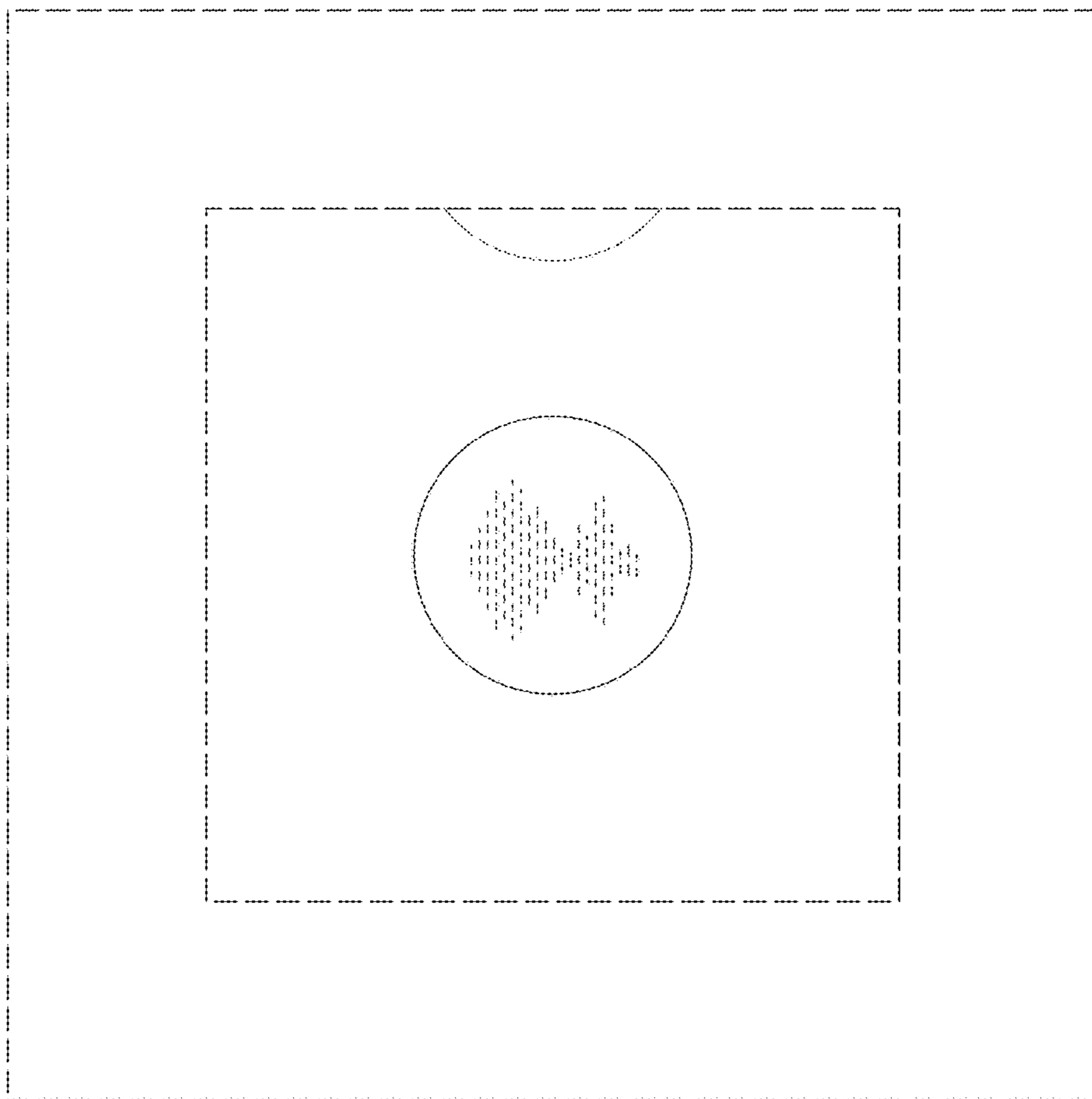


FIG. 3

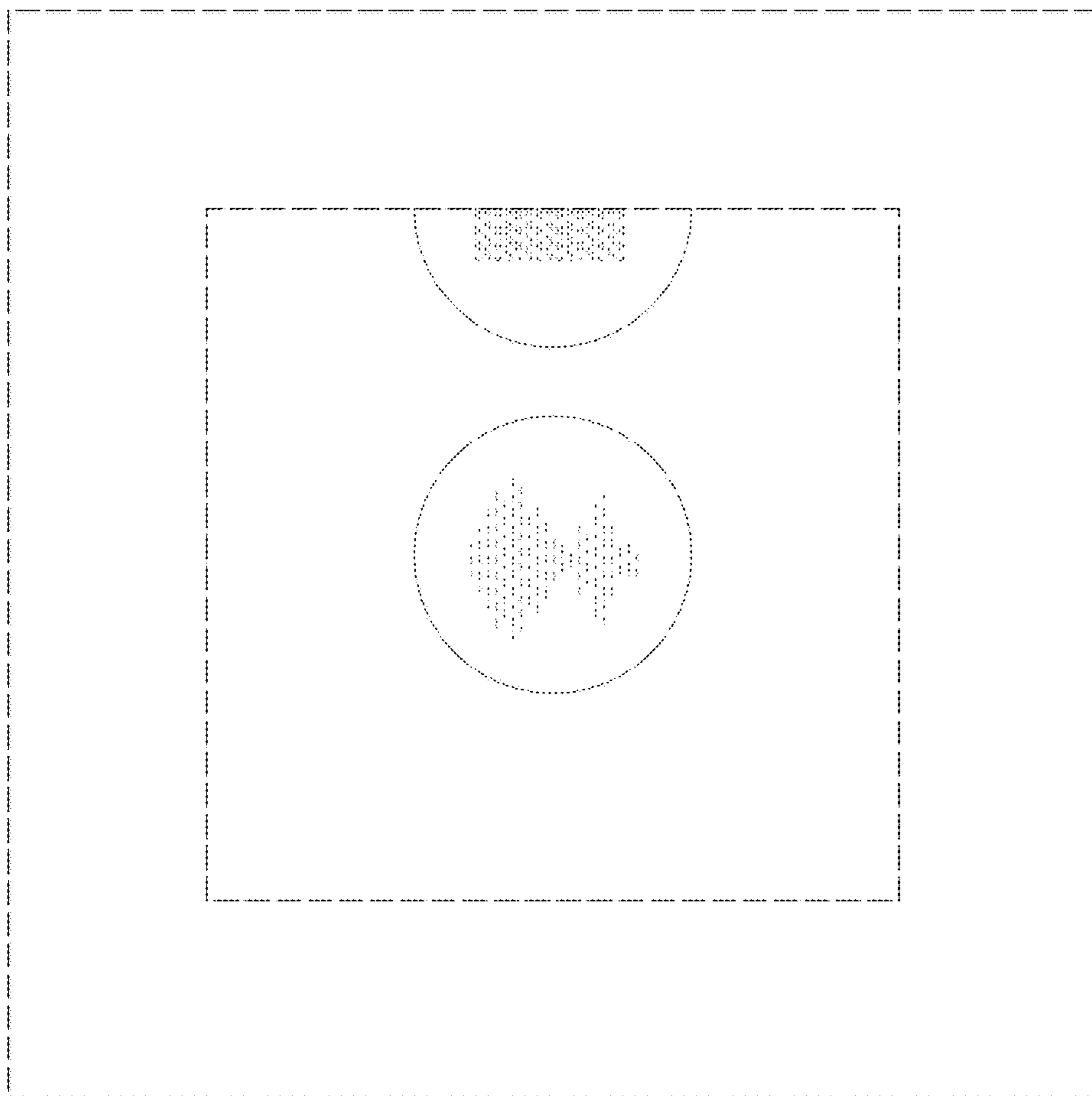


FIG. 4

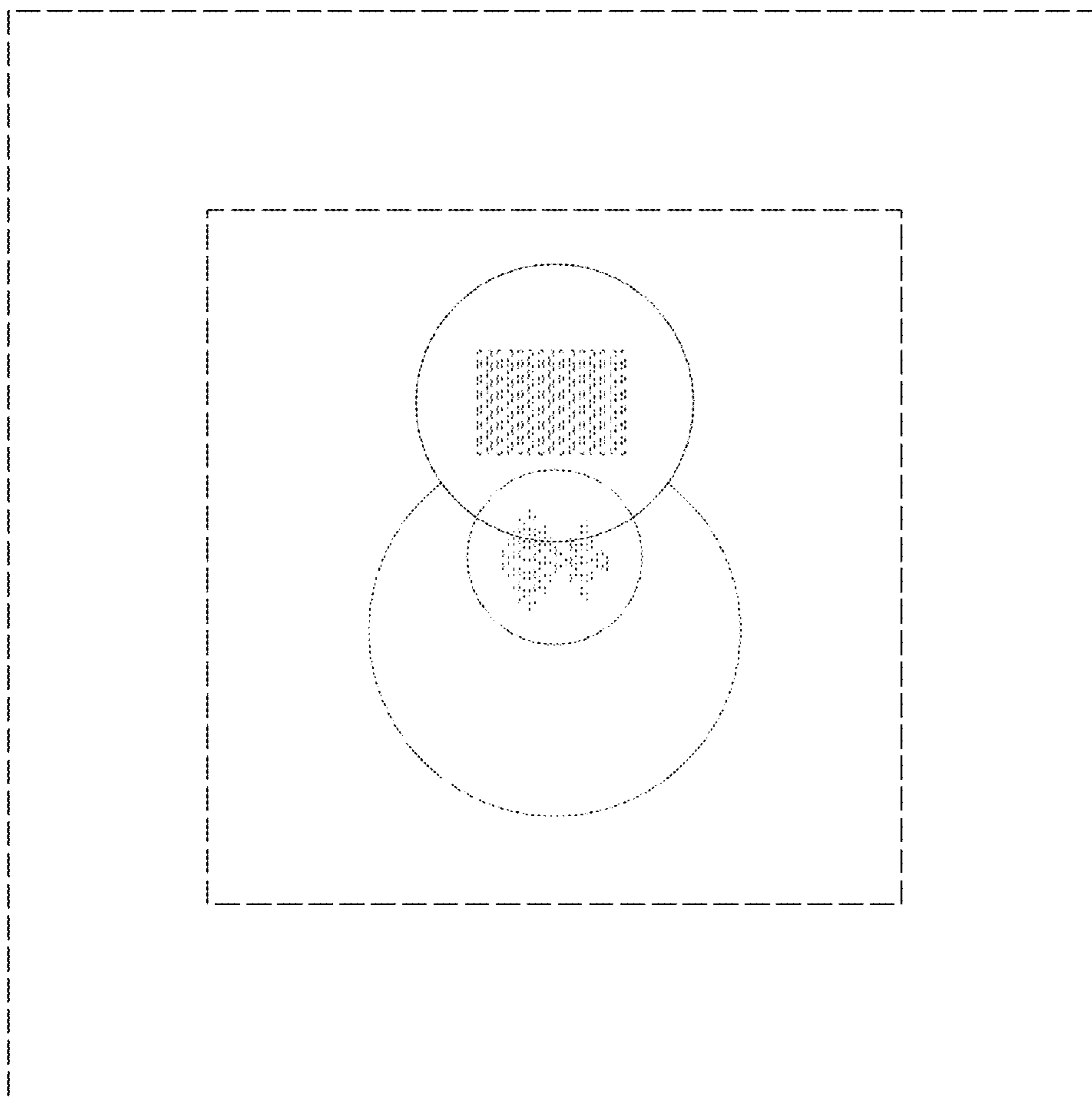


FIG. 5

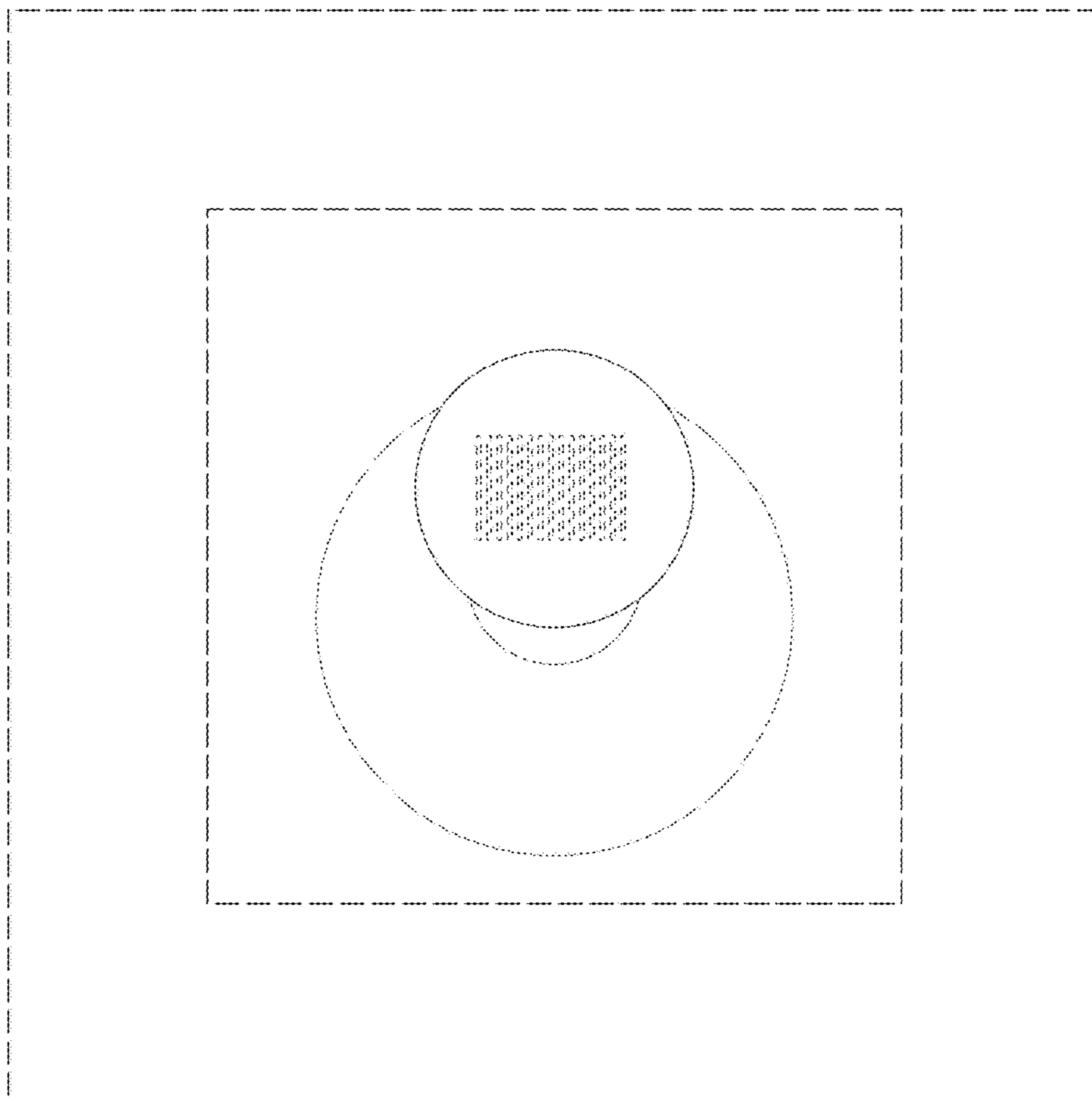


FIG. 6

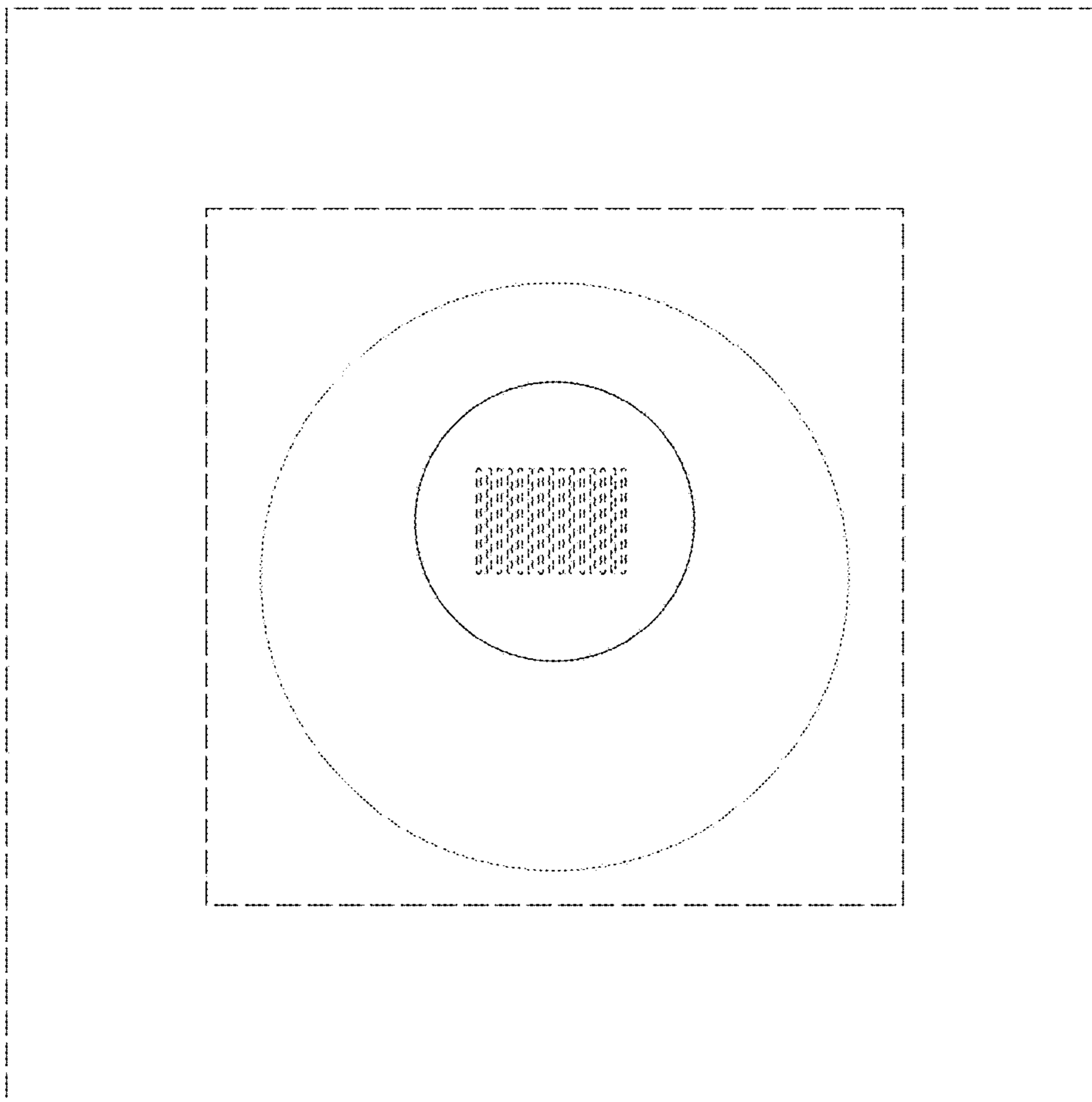


FIG. 7

