



US00D801380S

(12) **United States Design Patent**  
**Yamasaki et al.**

(10) **Patent No.:** **US D801,380 S**

(45) **Date of Patent:** **\*\* Oct. 31, 2017**

(54) **DISPLAY SCREEN OR PORTION THEREOF WITH A TRANSITIONAL GRAPHICAL USER INTERFACE COMPONENT FOR IDENTIFYING CURRENT LOCATION**

*Primary Examiner* — Melanie H Tung  
*Assistant Examiner* — Bao-Yen Nguyen  
(74) *Attorney, Agent, or Firm* — Dority & Manning, P.A.

(71) Applicant: **Google Inc.**, Mountain View, CA (US)

(57) **CLAIM**

(72) Inventors: **Erika Yamasaki**, Tokyo (JP); **Madoka Katayama**, Tokyo (JP)

The ornamental design for a display screen or portion thereof with a transitional graphical user interface component for identifying current location, as shown and described.

(73) Assignee: **Google Inc.**, Mountain View, CA (US)

**DESCRIPTION**

(\*\*) Term: **15 Years**

(21) Appl. No.: **29/532,444**

(22) Filed: **Jul. 7, 2015**

(51) **LOC (10) Cl.** ..... **14-04**

(52) **U.S. Cl.**  
USPC ..... **D14/489**

(58) **Field of Classification Search**  
USPC ..... D14/485–495  
CPC .... G06F 3/048; G06F 3/0481; G06F 3/04812; G06F 3/04815; G06F 3/04817; G06F 3/0482; G06F 3/0483; G06F 3/0484; G06F 3/04842; G06F 3/04845; G06F 3/04847; G06F 3/0485; G06F 3/04855; G06F 3/0486;

FIG. 1 is a front view of a portion of a display screen or portion thereof with a transitional graphical user interface component for identifying current location showing a first image in a sequence according to a first embodiment of the design;

FIG. 2 is a front view of a second image in the sequence of the first embodiment of FIG. 1;

FIG. 3 is a front view of a portion of a display screen or portion thereof with a transitional graphical user interface component for identifying current location showing a first image in a sequence according to a second embodiment of the design;

FIG. 4 is a front view of a second image in the sequence of the second embodiment of FIG. 3;

FIG. 5 is a front view of a portion of a display screen or portion thereof with a transitional graphical user interface component for identifying current location showing a first image in a sequence according to a third embodiment of the design; and,

FIG. 6 is a front view of a second image in the sequence of the third embodiment of FIG. 5.

The process or period in which one image transitions to another forms no part of the claimed design. The appearance of the image transitions sequentially between FIGS. 1 to 2, FIGS. 2 to 1, FIGS. 3 to 4, FIGS. 4 to 3, FIGS. 5 to 6, and FIGS. 6 to 5.

The broken lines illustrate the display screen or portion thereof and form no part of the claimed design. The broken lines illustrate portions of the graphical user interface and form no part of the claimed design.

(Continued)

(56) **References Cited**

**U.S. PATENT DOCUMENTS**

7,310,534 B2 12/2007 Northcutt  
2004/0248586 A1 12/2004 Patel et al.  
2008/0113710 A1\* 5/2008 Hughes ..... G07F 17/34  
463/16

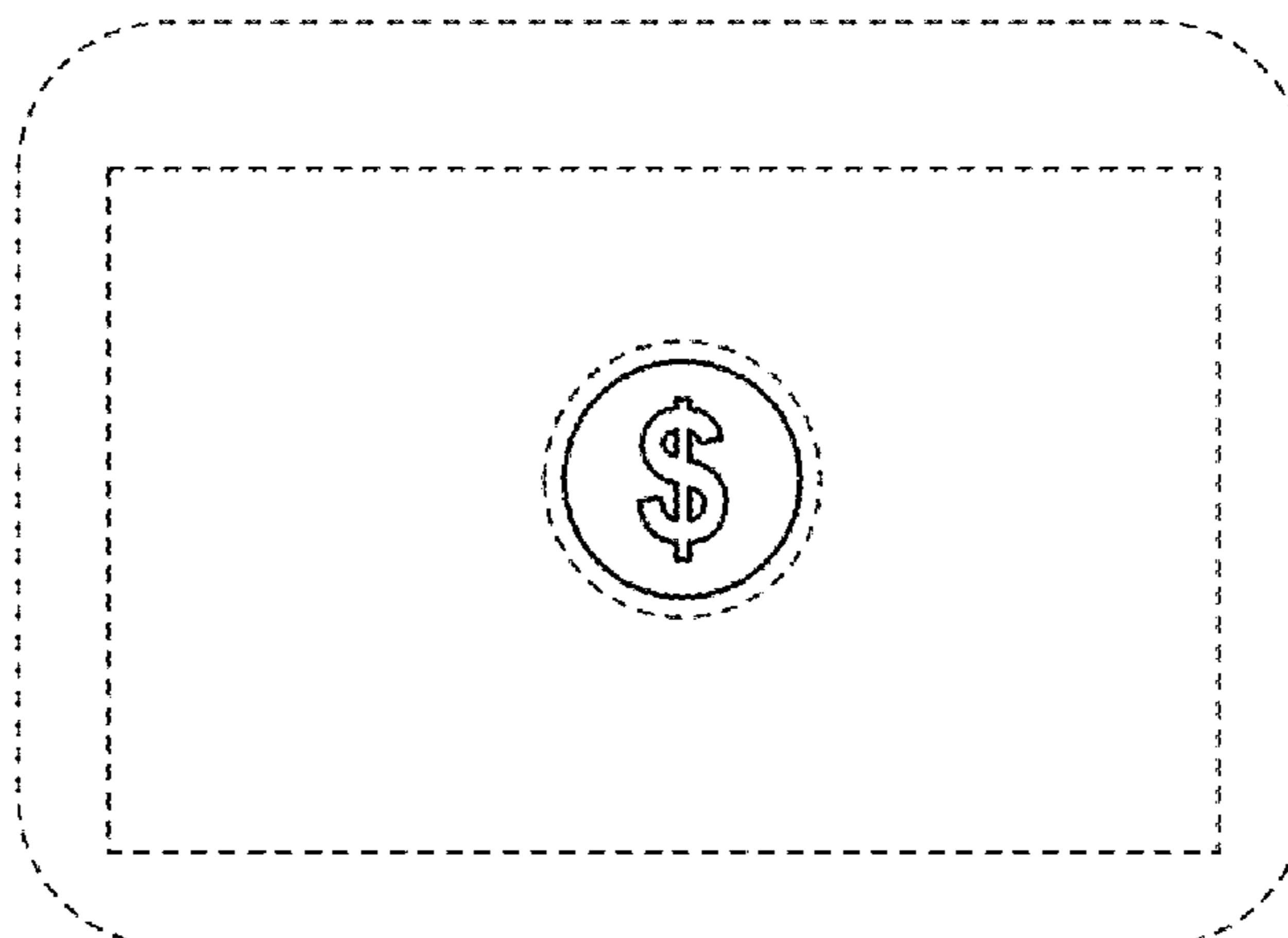
(Continued)

**OTHER PUBLICATIONS**

Sergey Valiukh, "Gif Animation" Dec. 30, 2013 <https://dribbble.com/shots/1360884-Gif-Animation>.\*

(Continued)

**1 Claim, 1 Drawing Sheet**



(58) **Field of Classification Search**

CPC ..... G06F 3/0487; G06F 3/0488; G06F  
3/04883; G06F 3/04886; H04N 1/00424  
See application file for complete search history.

(56) **References Cited**

U.S. PATENT DOCUMENTS

2014/0162762	A1*	6/2014	Aoki .....	G07F 17/3218 463/25
2015/0248214	A1*	9/2015	Gilger .....	G06F 3/04842 715/719
2015/0269524	A1*	9/2015	Greene .....	G06Q 10/103 705/301

OTHER PUBLICATIONS

“Finance vol. 5” Jan. 21, 2015 <https://www.iconfinder.com/iconsets/financevol4>.\*

“Glypho Money and Finace” Oct. 18, 2014 <https://www.iconfinder.com/iconsets/glyphomoneyandfinance>.\*

Ben Cline, “Map Pin Bubble Animated” Apr. 16, 2013 <https://dribbble.com/shots/1032378MapPinBubbleAnimated>.\*

“Dollar Coin Circle with Symbol” Sep. 4, 2014 [https://web.archive.org/web/20140909104939/http://www.freepik.com/free-icon/dollar-coin-circle-with-symbol\\_736048.htm](https://web.archive.org/web/20140909104939/http://www.freepik.com/free-icon/dollar-coin-circle-with-symbol_736048.htm).\*

“Payment Methods Icon Set” Jul. 3, 2012 <https://stockfresh.com/image/1914516/paymentmethodsiconssetcreditcardbycashcurrency>.\*

“Foursquare 7.0 Brings Scannable Design and Expands Proactive Recommendations to all Users”, TechCrunch, [techcrunch.com/2013/12/05/foursquare-7-0-brings-scanable-design-and-expands-proactive-recommendations-to-all-users/](http://techcrunch.com/2013/12/05/foursquare-7-0-brings-scanable-design-and-expands-proactive-recommendations-to-all-users/), accessed Jan. 19, 2015, 8 pages.

“Google Map and Custom Marker for Current Location”, StackOverflow, [stackoverflow.com/questions/9625699/google-map-and-custom-marker-for-current-location](http://stackoverflow.com/questions/9625699/google-map-and-custom-marker-for-current-location), accessed Jan. 19, 2015, 2 pages.

\* cited by examiner

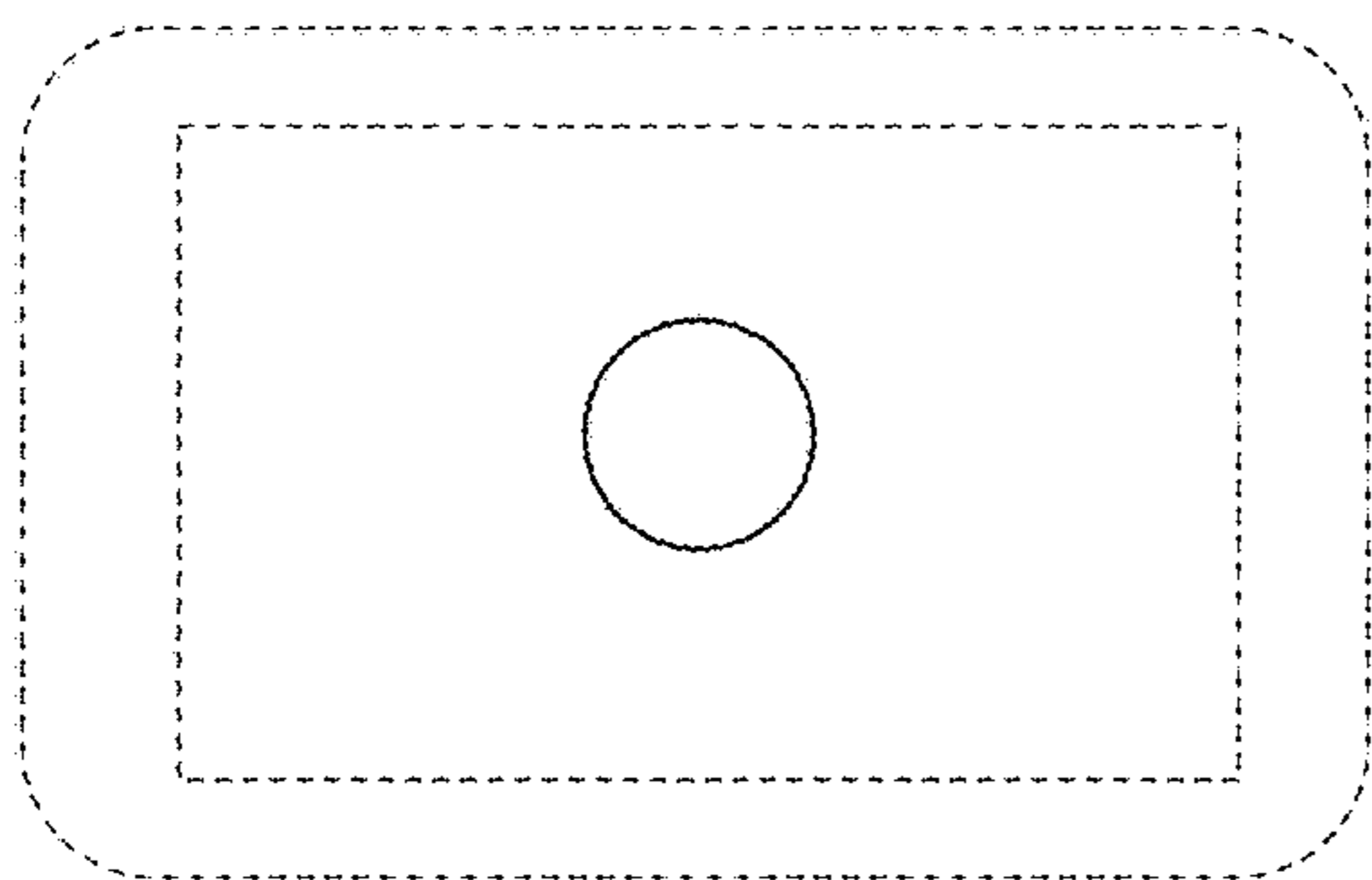


FIG. 1

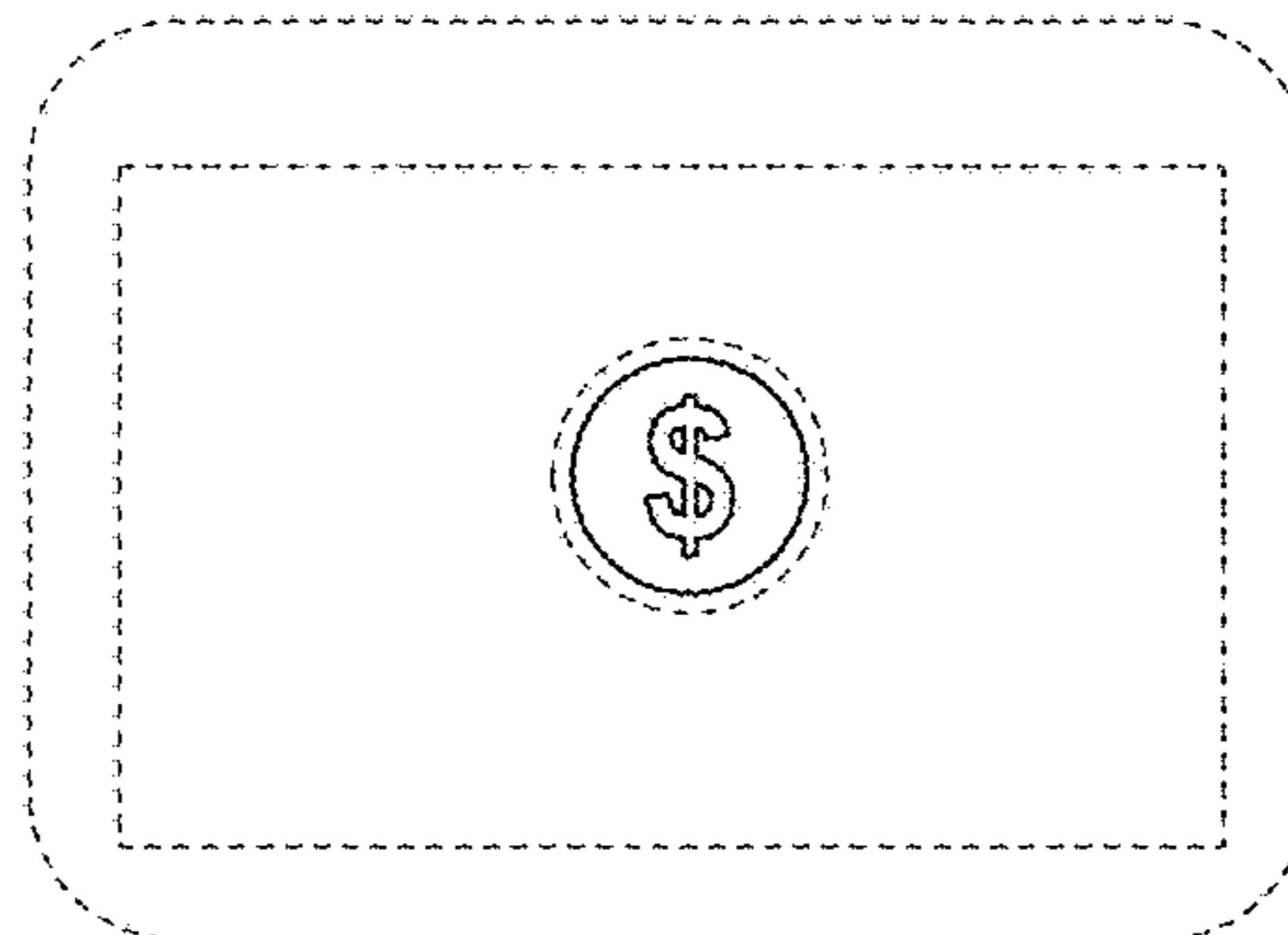


FIG. 2

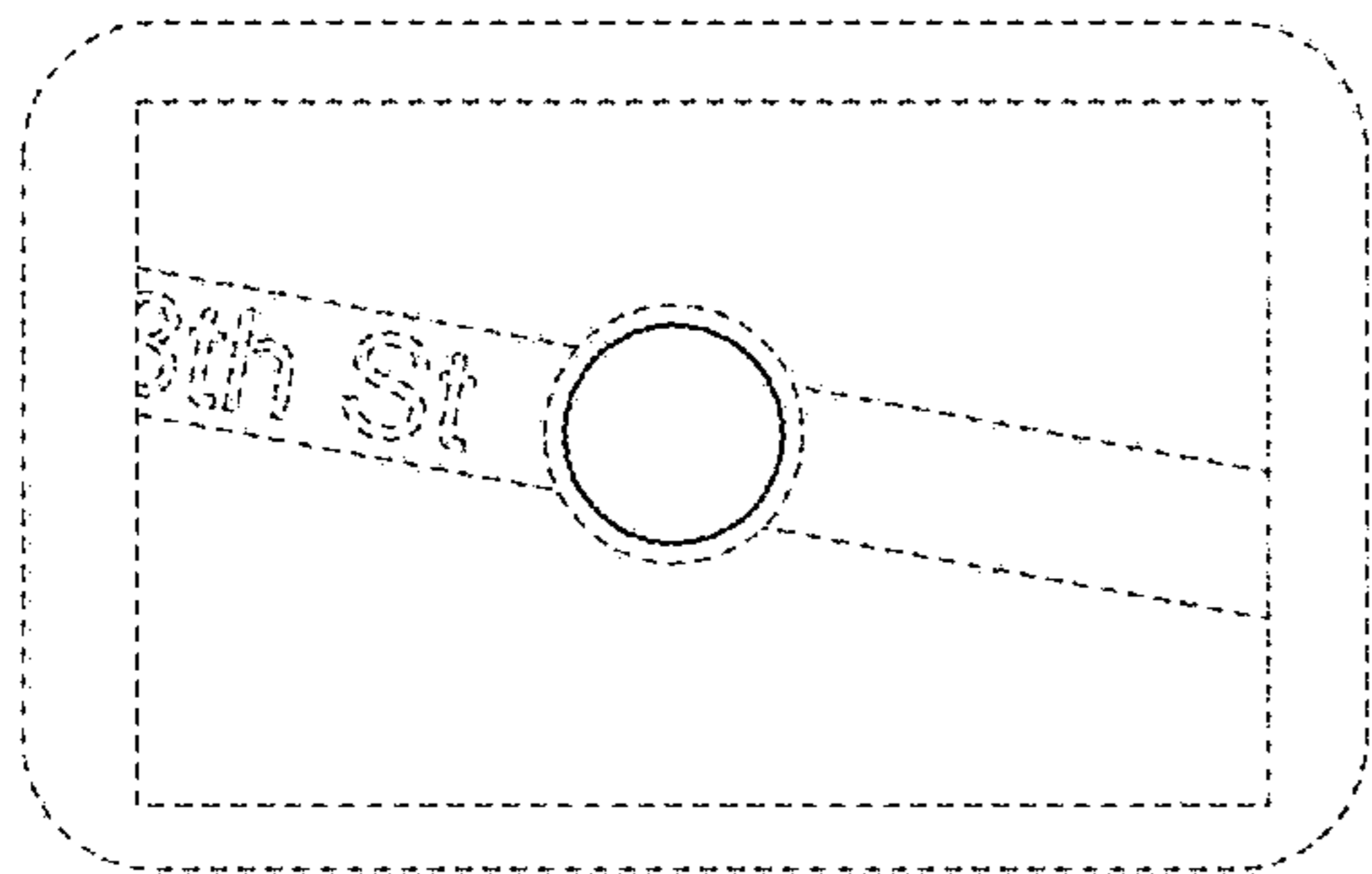


FIG. 3

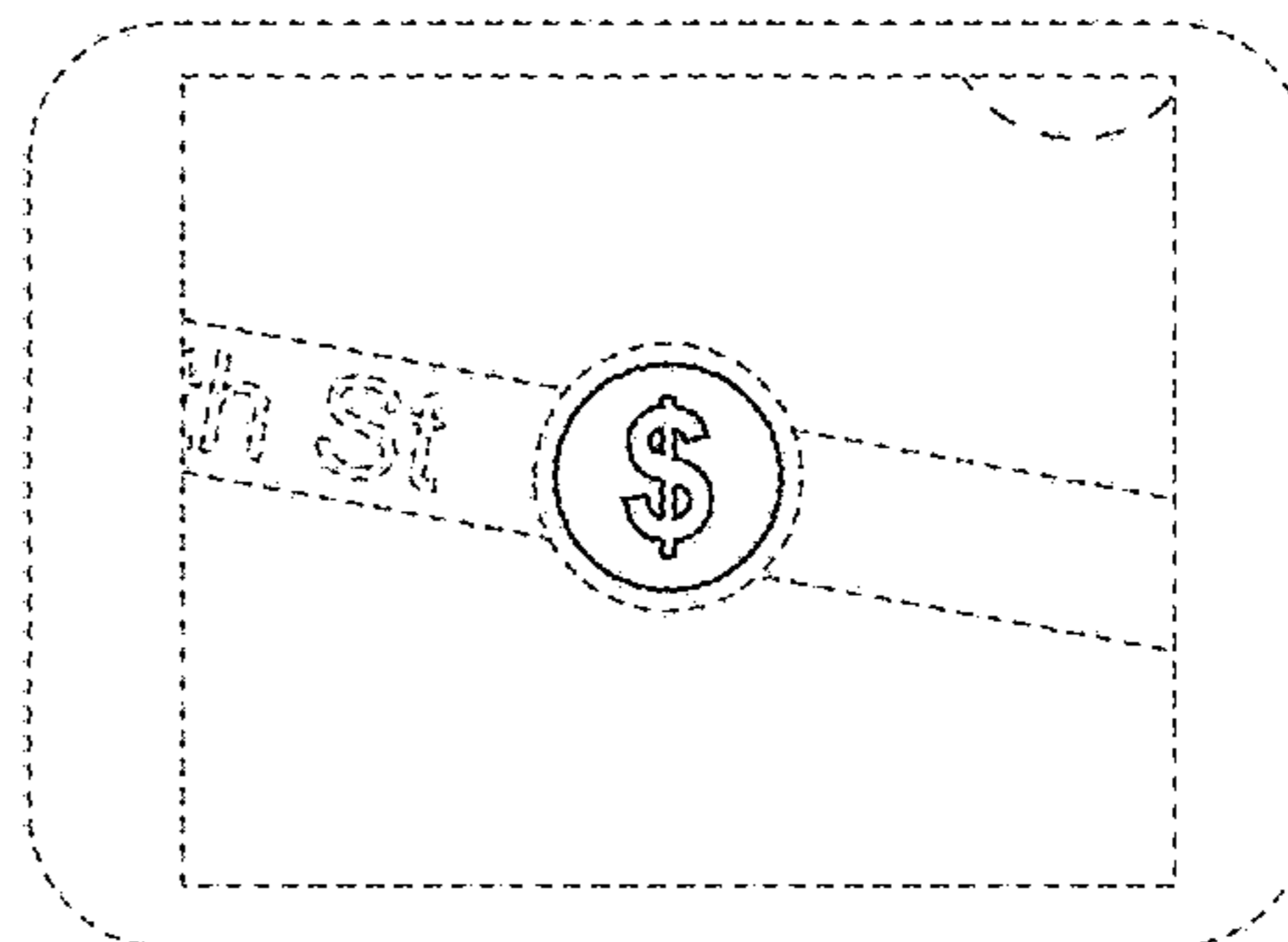


FIG. 4

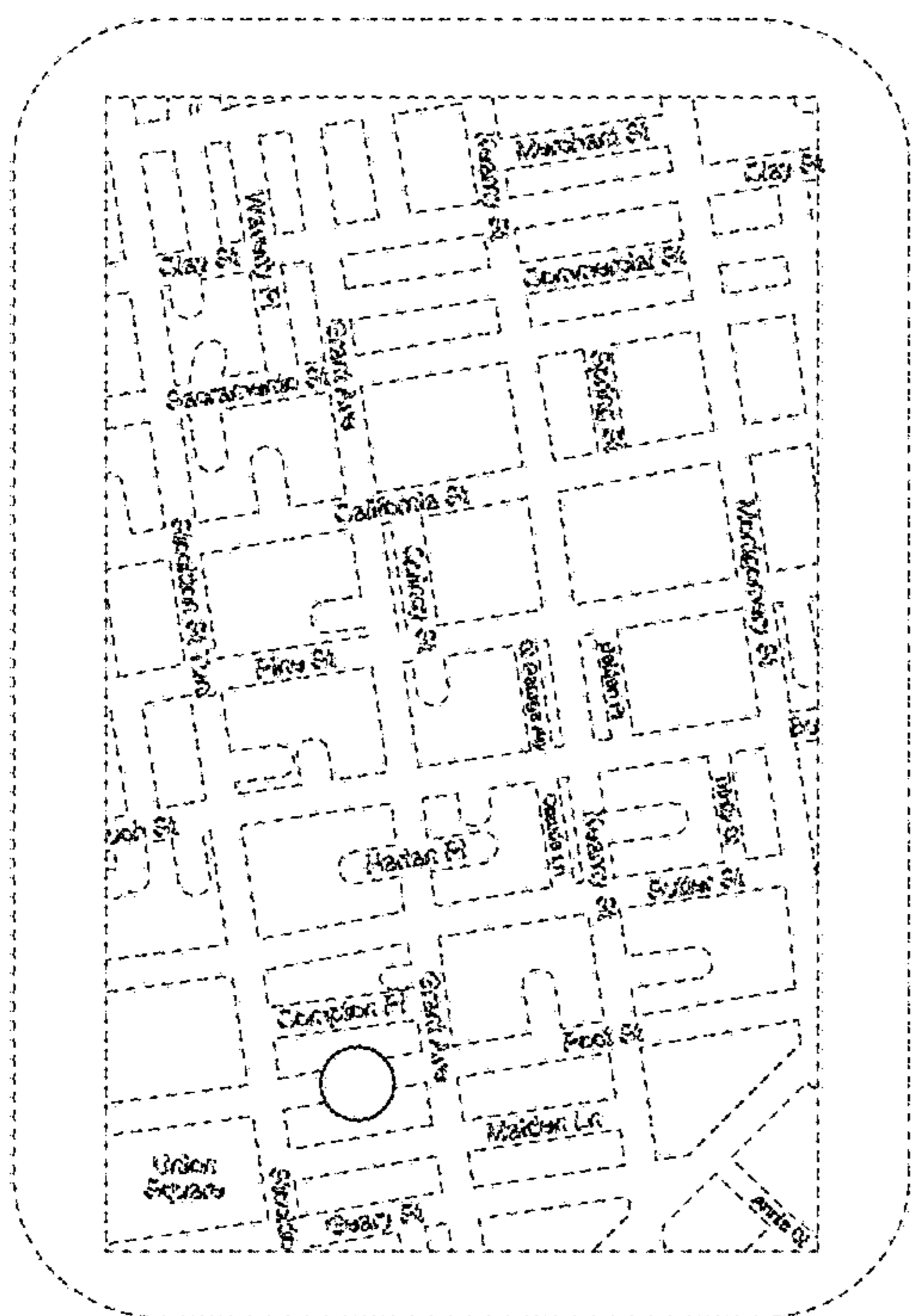


FIG. 5

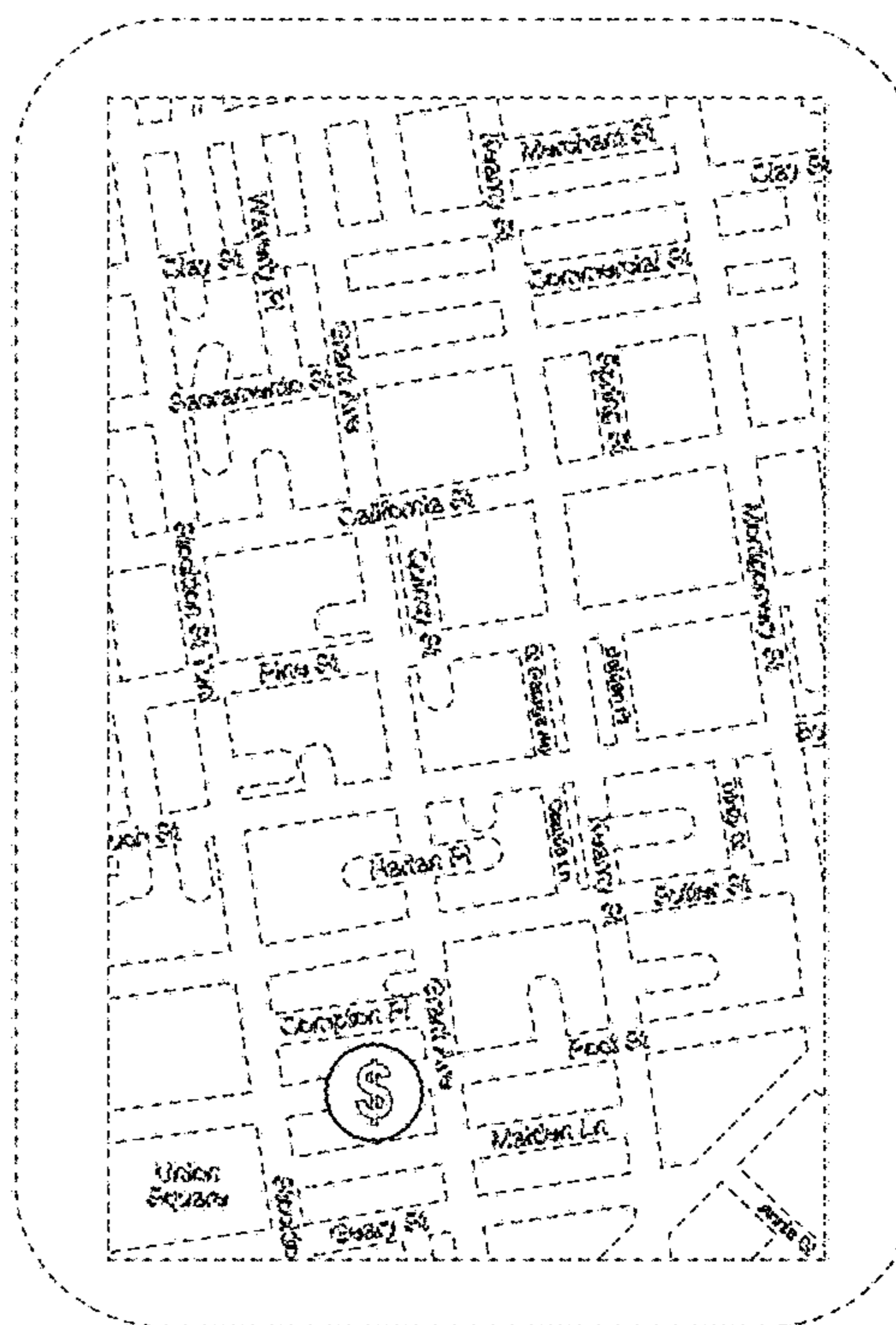


FIG. 6