



US00D801349S

(12) **United States Design Patent** (10) **Patent No.:** **US D801,349 S**  
**Day et al.** (45) **Date of Patent:** **\*\* Oct. 31, 2017**

(54) **DISPLAY SCREEN OR PORTION THEREOF WITH GRAPHICAL USER INTERFACE**

(71) Applicant: **General Electric Company**, Schenectady, NY (US)

(72) Inventors: **Andrew Day**, Newtown, PA (US); **Kunter Akbay**, Niskayuna, NY (US); **Christopher Johnson**, Niskayuna, NY (US); **David Toledano**, Round Lake, NY (US); **Peter Katlic**, Schenectady, NY (US)

(73) Assignee: **General Electric Company**, Schenectady, NY (US)

(\*\*) Term: **15 Years**

(21) Appl. No.: **29/537,182**

(22) Filed: **Aug. 24, 2015**

(51) **LOC (10) Cl.** ..... **14-04**

(52) **U.S. Cl.**  
USPC ..... **D14/485**

(58) **Field of Classification Search**  
USPC ..... D14/485-491  
CPC ..... G06F 3/04817; G06Q 50/22  
See application file for complete search history.

(56) **References Cited**

**U.S. PATENT DOCUMENTS**

D708,221 S *	7/2014	Danton	.....	D14/492
D711,912 S *	8/2014	Alldredge	.....	D14/489
D715,811 S *	10/2014	Tsukamoto	.....	D14/485
D735,733 S *	8/2015	Hontz, Jr.	.....	D14/485
D747,333 S *	1/2016	Supino	.....	D14/486

D751,574 S *	3/2016	Forsblom	.....	D14/485
D752,062 S *	3/2016	Forsblom	.....	D14/485
D752,618 S *	3/2016	Lee	.....	D14/486
D763,908 S *	8/2016	Drozd	.....	D14/485
D764,497 S *	8/2016	Seo	.....	D14/485
D765,698 S *	9/2016	Kwon	.....	D14/486
D766,317 S *	9/2016	Napper	.....	D14/485
D766,915 S *	9/2016	Sublett	.....	D14/485
D766,958 S *	9/2016	Salazar Cardozo	.....	D14/486
2017/0061093 A1 *	3/2017	Amarasingham	.....	G06F 19/322

\* cited by examiner

*Primary Examiner* — Richelle G Shelton

(74) *Attorney, Agent, or Firm* — Hanley, Flight and Zimmerman, LLC

(57) **CLAIM**

The ornamental design for a display screen or portion thereof with graphical user interface, as shown and described.

**DESCRIPTION**

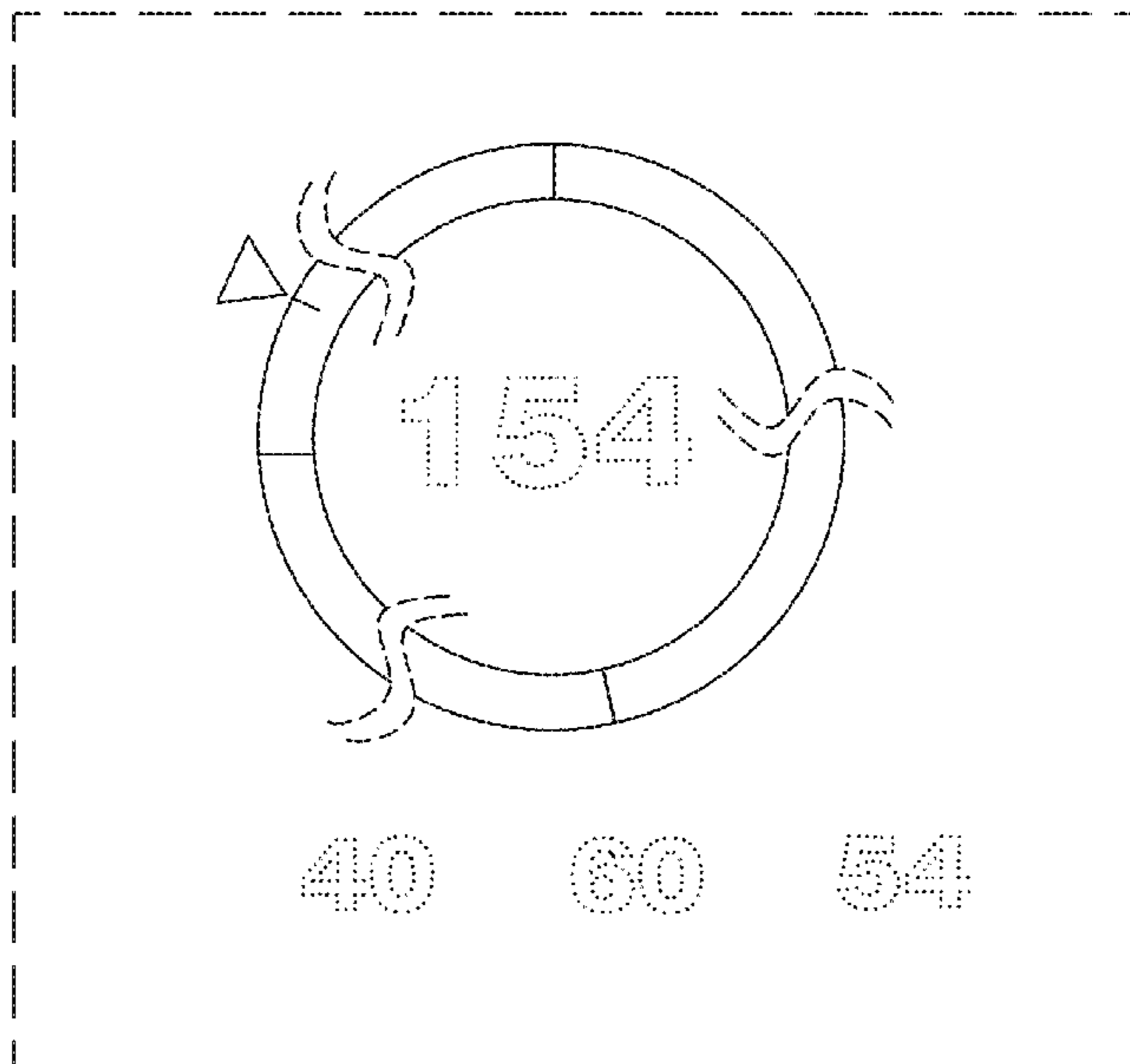
A portion of the disclosure of this patent document contains material which is subject to copyright protection. The copyright owner has no objection to the facsimile reproduction by anyone of the patent disclosure as it appears in the Patent and Trademark Office patent file or records, but otherwise reserves all copyright rights whatsoever.

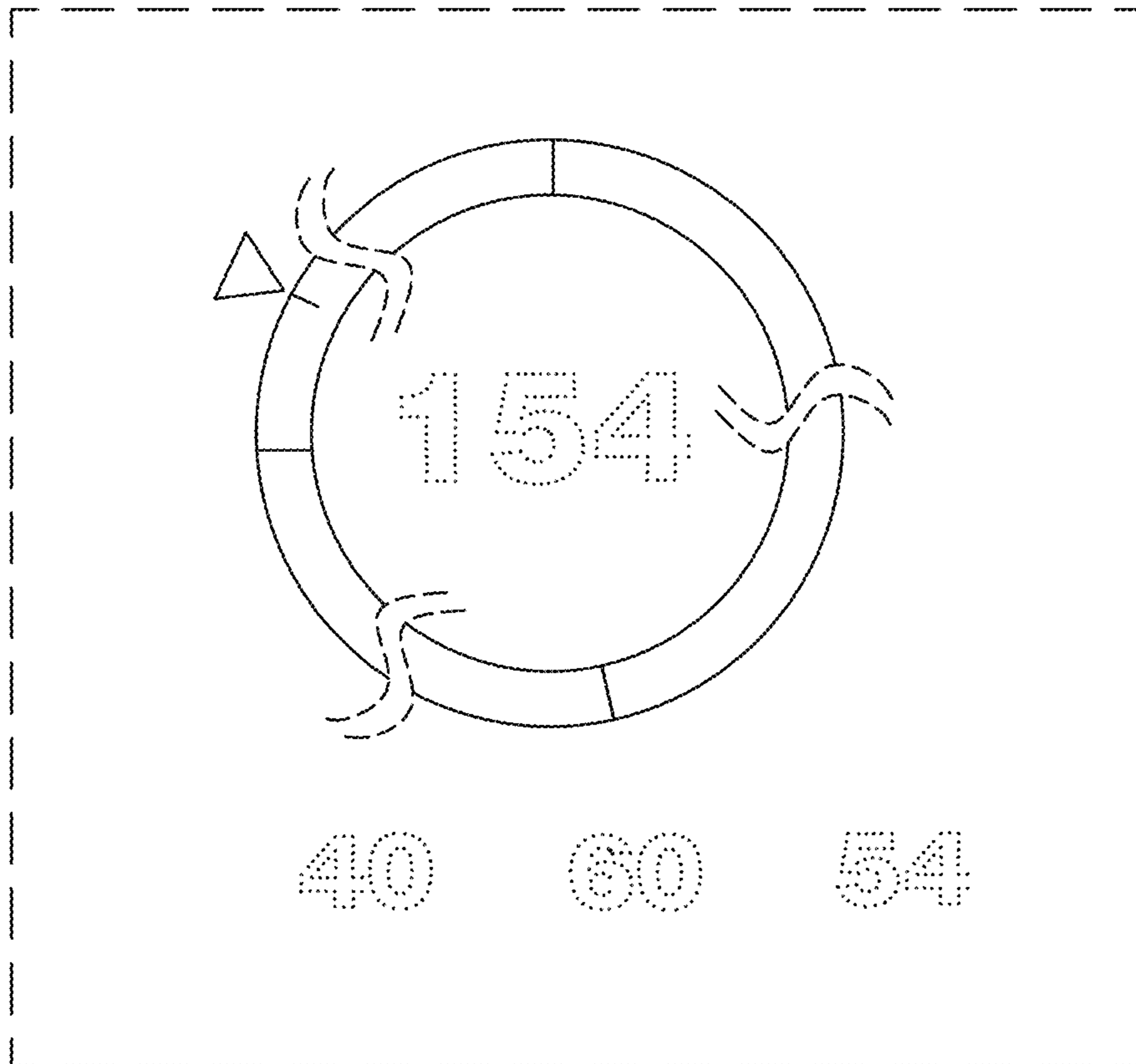
FIG. 1 is a front view of a display screen or portion thereof with graphical user interface.

FIG. 2 is a front view of a second embodiment thereof; and, FIG. 3 is a front view of a third embodiment thereof.

The broken line showing of the display screen or portion thereof with graphical user interface forms no part of the claimed design.

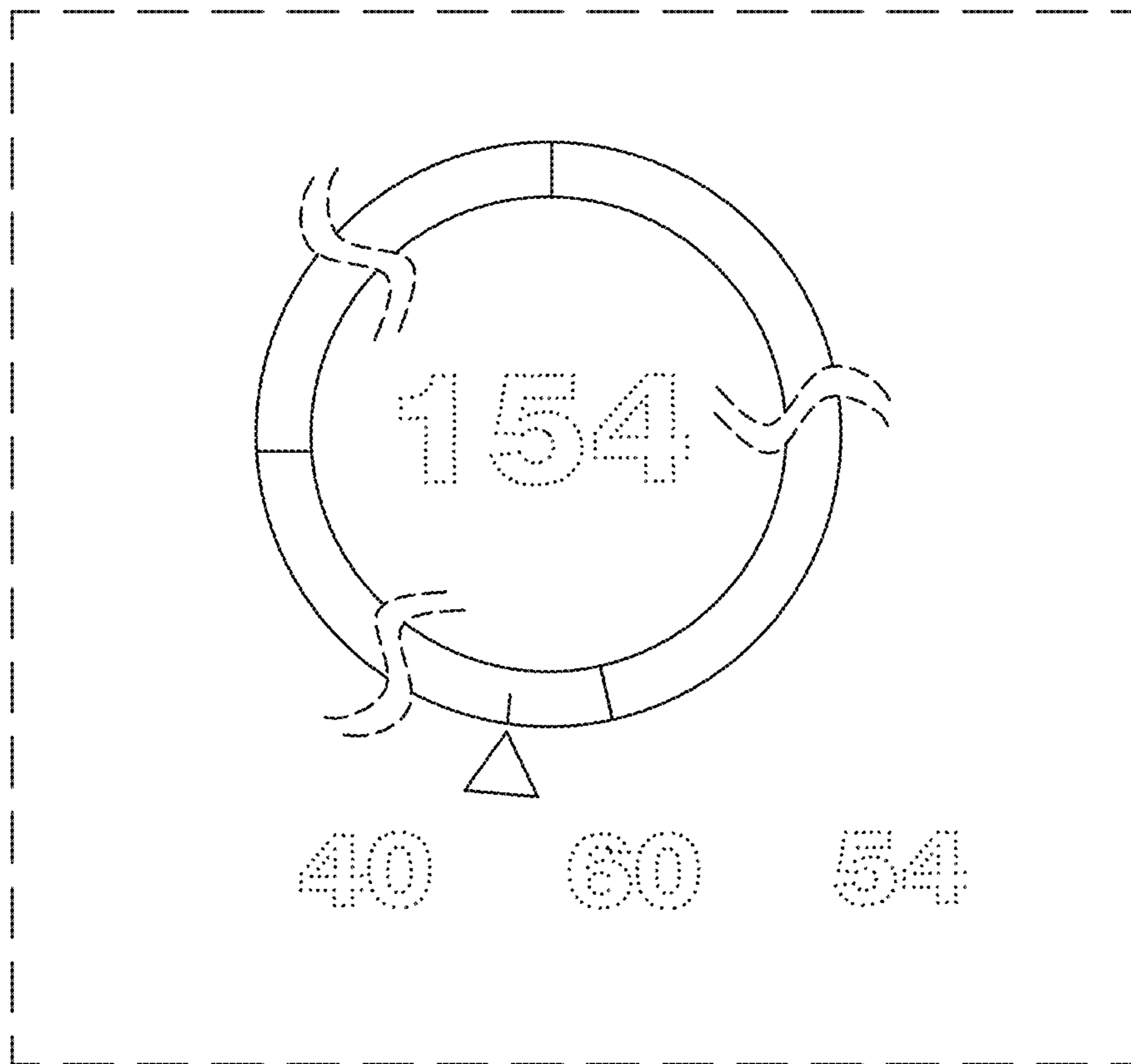
**1 Claim, 3 Drawing Sheets**





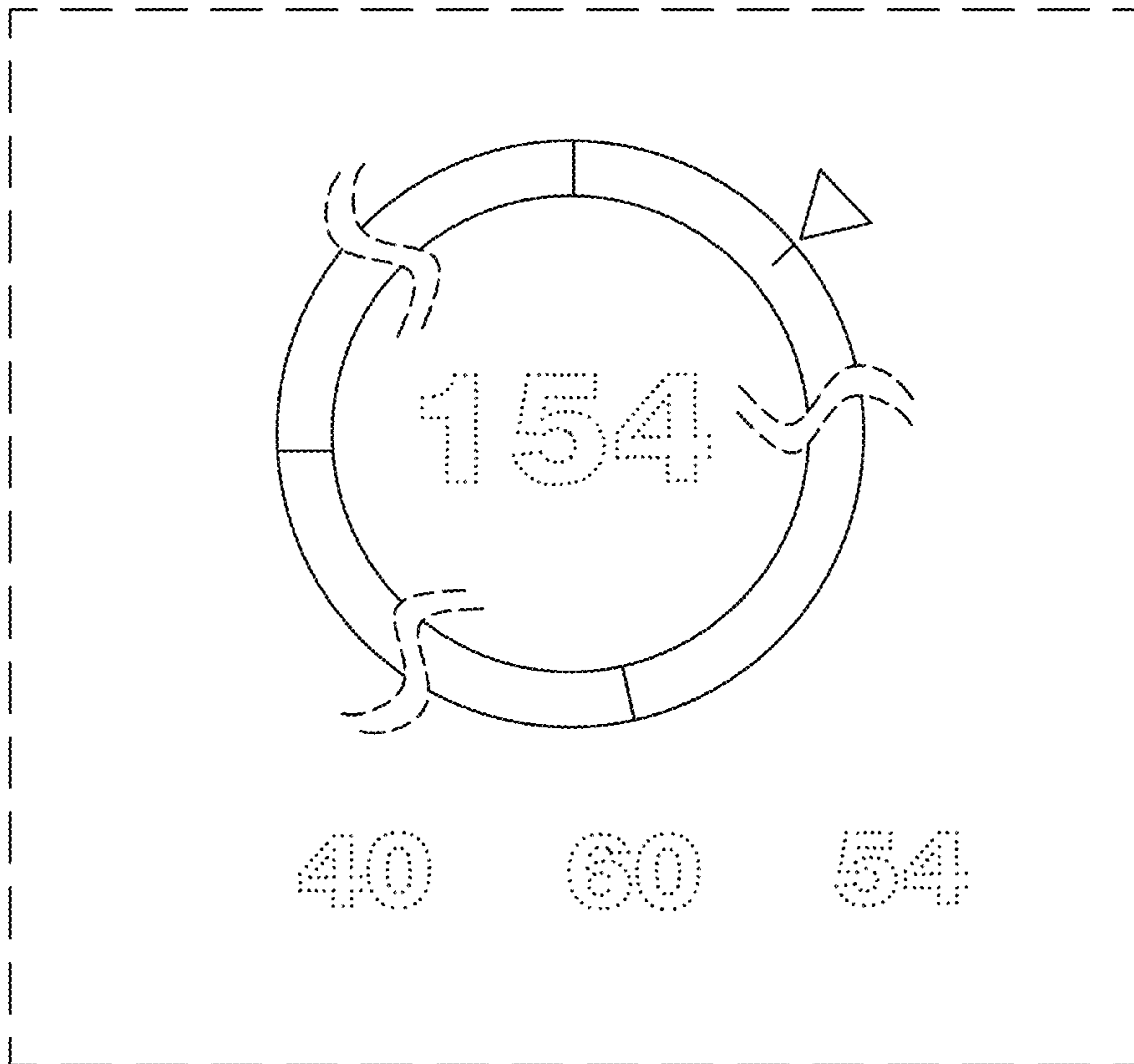
© 2015 General Electric Company

**FIGURE 1**



© 2015 General Electric Company

**FIGURE 2**



© 2015 General Electric Company

**FIGURE 3**