



US00D801346S

(12) **United States Design Patent** (10) **Patent No.:** **US D801,346 S**
Oberpriller et al. (45) **Date of Patent:** **** Oct. 31, 2017**

(54) **WEARABLE MODULE**

(71) Applicant: **Hand Held Products, Inc.**, Fort Mill, SC (US)

(72) Inventors: **Mark Lee Oberpriller**, Atlanta, GA (US); **Timothy R. Fitch**, Syracuse, NY (US)

(73) Assignee: **Hand Held Products, Inc.**, Fort Mill, SC (US)

(**) Term: **15 Years**

(21) Appl. No.: **29/547,520**

(22) Filed: **Dec. 4, 2015**

(51) **LOC (10) Cl.** **14-02**

(52) **U.S. Cl.**
USPC **D14/453**; D14/356; D14/344; D14/358

(58) **Field of Classification Search**
USPC D14/420, 426-430, 453, 346, 341, 347, D14/412, 498, 507, 371, 137, 191, 344, D14/356-359; D13/107, 184; 358/473; 235/462.43, 462.45, 462.47, 462.48, 235/462.44, 462.46, 487, 472.01, 472.02, 235/440, 486, 462.01, 462.15, 462.21, 235/412, 375, 385; 16/110.1, 430, 431; 439/133, 135; 709/219, 201; 710/73; 320/114, 115, 123; 361/679; 382/313, 382/321; 455/575.1, 561, 572, 575.6, 455/344, 349, 563, 90.1-90.3; 705/17, 705/14.64, 14.65, 21; 341/20; 362/103; 250/370.8, 370.1; 348/E5.137, E5.143, 348/E9.026; 345/179, 156; 463/36; 14/2; 73/702; 600/300, 485; D3/218; 224/267, 575; 340/5.92; D10/104.1, D10/4.31; 379/433.1, 441
CPC G06K 7/10396; G06K 7/0004; G06K 7/0017; G06K 7/002; G06K 7/10881; G06K 7/10386; G06K 7/10009; G06K 7/01; G06K 7/10891; G06K 7/10544-7/1099; G06K 2007/10524;

G06K 2007/10534; G06K 17/00; G06F 1/163; G06F 1/1698; G06F 1/1684; G06F 1/1633; G06F 1/1635; G06Q 20/204; G06Q 20/208; G06Q 20/30; G06Q 20/322; G06Q 20/203; A45F 5/00; A45F 2005/002; A45F 2005/008; A45F 2200/0516; A45F 2200/0525; A45F 2200/0533; A45F 2200/0508; H04N 5/74; H04N 9/3129; H04N 9/3141; H01H 2009/0221; H04W 76/02; H04W 76/021;
(Continued)

(56) **References Cited**

U.S. PATENT DOCUMENTS

5,550,366 A * 8/1996 Roustaei G06K 7/10891 235/455
5,610,386 A * 3/1997 Ball G06K 7/10891 235/412

(Continued)

Primary Examiner — Susan Moon Lee
(74) *Attorney, Agent, or Firm* — Additon, Higgins & Pendleton, P.A.

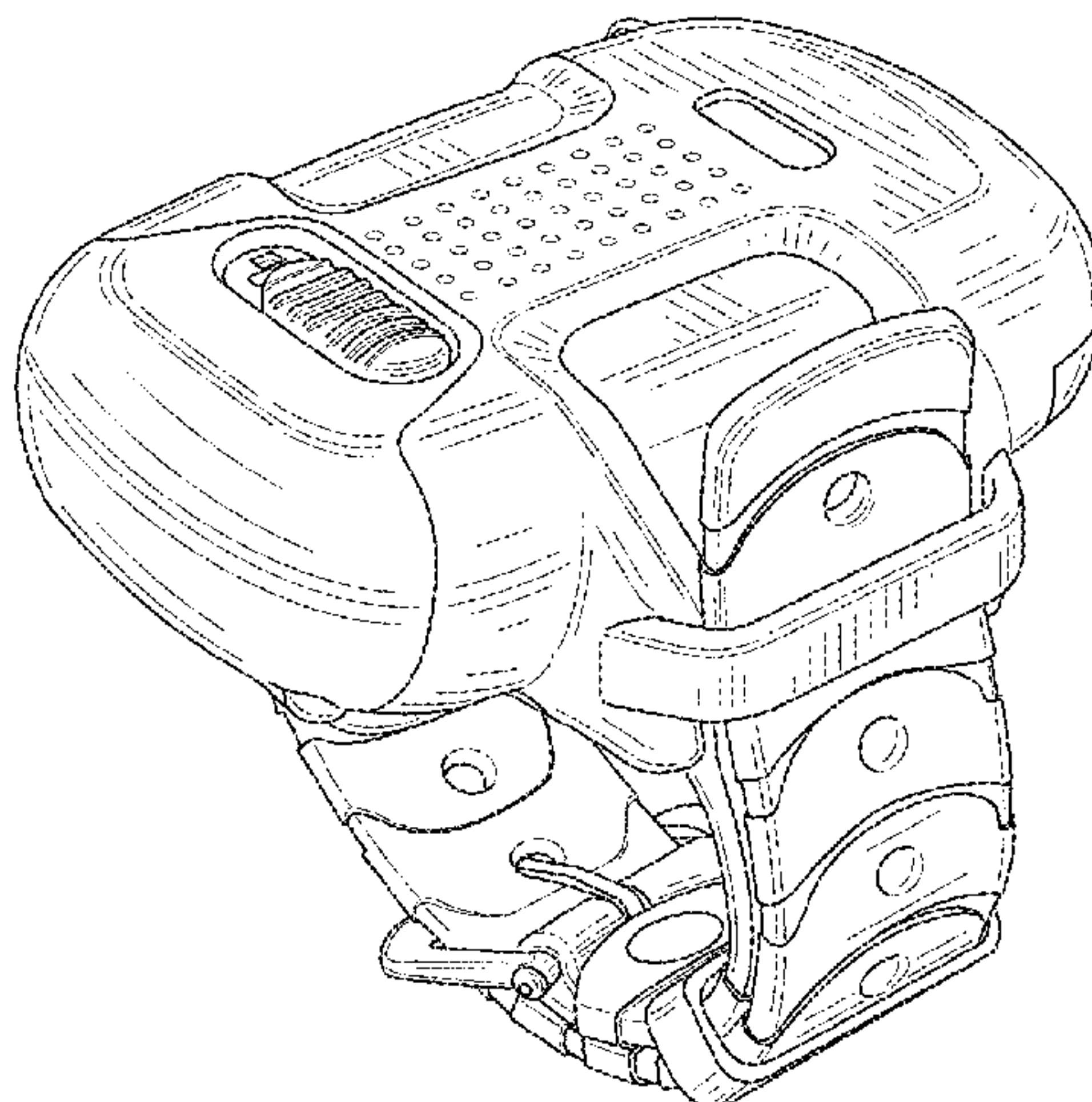
(57) **CLAIM**

The ornamental design for a wearable module, as shown and described.

DESCRIPTION

FIG. 1 is a front perspective view of a wearable module in accordance with the present design;
FIG. 2 is a left elevation view thereof;
FIG. 3 is a right elevation view thereof;
FIG. 4 is a top plan view thereof;
FIG. 5 is a bottom plan view thereof;
FIG. 6 is a rear elevation view thereof; and,
FIG. 7 is a front elevation view thereof.
Any broken lines shown in the drawings of the wearable module are for illustrative purposes only and form no part of the claimed design.

1 Claim, 7 Drawing Sheets



(58) **Field of Classification Search**
 CPC ... H04W 76/025; H04W 84/12; H04W 88/00;
 H04W 88/005; H04W 88/02; H04W
 88/021; H04W 88/04; H04W 88/08;
 H04B 1/385; H04B 1/3877; H04B
 1/3888; H04B 1/3883; H04B 2001/3861;
 H04M 1/0214

See application file for complete search history.

(56) **References Cited**

U.S. PATENT DOCUMENTS

5,808,289 A * 9/1998 Becker G06K 7/10891
 235/462.01
 D406,575 S * 3/1999 Michael D14/366
 D411,179 S * 6/1999 Toyosato D14/344
 6,010,071 A * 1/2000 Bard G06F 1/163
 235/462.43
 6,304,459 B1 * 10/2001 Toyosato G06F 1/163
 312/208.4
 D454,551 S * 3/2002 Bonadei D10/31
 6,634,558 B1 * 10/2003 Patel G06K 7/10891
 235/462.01
 D482,009 S * 11/2003 Robertson, Jr. D14/137
 D483,281 S * 12/2003 Cobigo D10/104.1
 D487,470 S * 3/2004 Cobigo D10/104.1
 D495,303 S * 8/2004 Coullahan D13/168
 6,853,293 B2 * 2/2005 Swartz G06F 1/163
 235/462.15
 D506,989 S * 7/2005 Seil D14/155
 D508,028 S * 8/2005 Deubler, Jr. D10/104.1
 D510,046 S * 9/2005 Li D10/106.1
 D514,085 S * 1/2006 Lee D14/188
 D519,478 S * 4/2006 Lee D14/138 AB
 D520,001 S * 5/2006 Katayama D14/358
 7,130,654 B2 * 10/2006 Cho H04M 1/6066
 379/428.02
 7,140,546 B1 * 11/2006 Terlizzi G06K 7/10881
 235/472.01
 7,164,257 B2 * 1/2007 Johnson B25F 5/02
 320/134
 D539,252 S * 3/2007 Heath D14/137
 D555,146 S * 11/2007 Sandy D14/167
 D558,761 S * 1/2008 Viduya D14/356
 D564,387 S * 3/2008 Rubin D10/104.1
 D565,569 S * 4/2008 Viduya D14/356
 D572,230 S * 7/2008 Neu D14/155
 7,534,206 B1 * 5/2009 Lovitt A61B 5/02438
 482/8
 D619,558 S * 7/2010 Seil D14/155
 D622,685 S * 8/2010 Garra D14/137
 D626,952 S * 11/2010 Ding D14/242
 D635,946 S * 4/2011 Garra D14/137
 D638,394 S * 5/2011 Richards D14/155
 7,959,084 B2 * 6/2011 Wulff G06K 17/0022
 235/472.02

8,128,422 B2 * 3/2012 Mellott H01R 13/2421
 439/180
 8,140,131 B1 * 3/2012 Green H04B 1/385
 368/10
 8,196,787 B2 * 6/2012 Strandberg A45F 5/00
 2/16
 8,254,846 B2 * 8/2012 Seil B60R 11/02
 455/345
 D667,382 S * 9/2012 Cosentino D13/168
 D673,473 S * 1/2013 Hogg D10/104.1
 D674,786 S * 1/2013 Park D14/240
 D685,753 S * 7/2013 Kang D14/137
 D695,315 S * 12/2013 Baggio D14/496
 D700,157 S * 2/2014 Kang D14/137
 D710,228 S * 8/2014 Burke D10/104.1
 D710,229 S * 8/2014 Burke D10/104.1
 D714,266 S * 9/2014 Okamura D14/191
 D740,793 S * 10/2015 Jobetto D14/225
 D740,827 S * 10/2015 Sun D14/427
 D750,624 S * 3/2016 Kerley D10/38
 D772,870 S * 11/2016 Park D14/138 R
 D775,126 S * 12/2016 Montero Odasso D10/38
 2002/0017567 A1 * 2/2002 Connolly G04B 47/00
 235/472.02
 2002/0030094 A1 * 3/2002 Curry G04B 47/00
 235/375
 2003/0223905 A1 * 12/2003 Moerman A61B 5/411
 422/400
 2004/0057578 A1 * 3/2004 Brewer H04B 1/385
 379/433.1
 2006/0289771 A1 * 12/2006 White G06K 7/10891
 250/370.1
 2007/0246494 A1 * 10/2007 Kim H04B 1/385
 224/219
 2008/0054039 A1 * 3/2008 Wulff A45F 5/00
 224/575
 2008/0078838 A1 * 4/2008 Morris G06K 7/10891
 235/462.44
 2008/0129532 A1 * 6/2008 Bellows G06K 7/0004
 340/4.31
 2008/0171915 A1 * 7/2008 Kawajiri A61B 5/02241
 600/300
 2010/0176166 A1 * 7/2010 Siagri A44C 5/0007
 224/271
 2010/0203849 A1 * 8/2010 Straub H04B 1/38
 455/90.2
 2010/0277759 A1 * 11/2010 Studer G06K 7/00
 358/1.15
 2011/0175705 A1 * 7/2011 Bellows G06K 7/10386
 340/10.1
 2014/0128757 A1 * 5/2014 Banet A61B 5/053
 600/513
 2016/0063293 A1 * 3/2016 Sun G06K 7/10891
 235/462.44

* cited by examiner

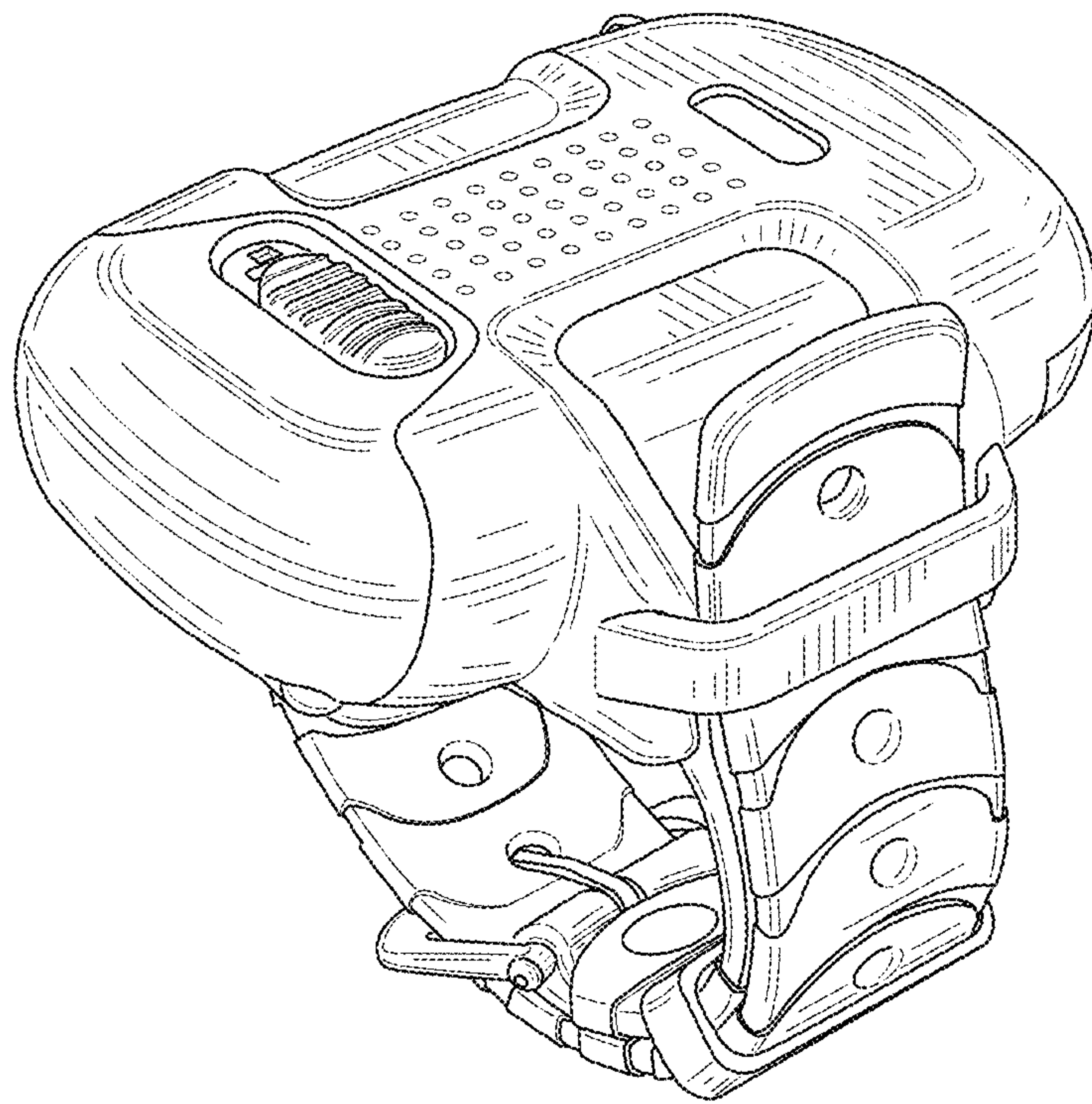


FIG. 1

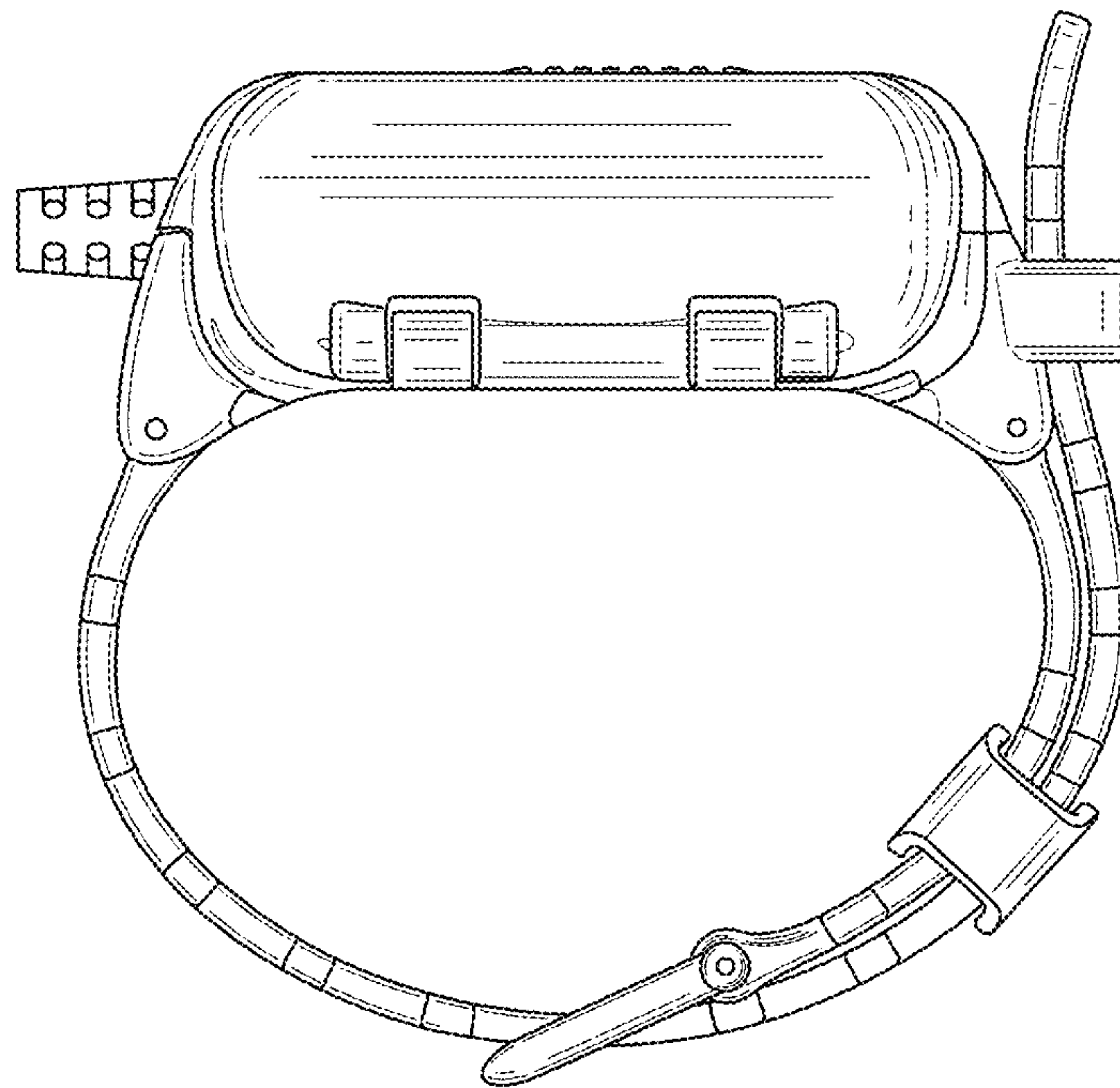


FIG. 2

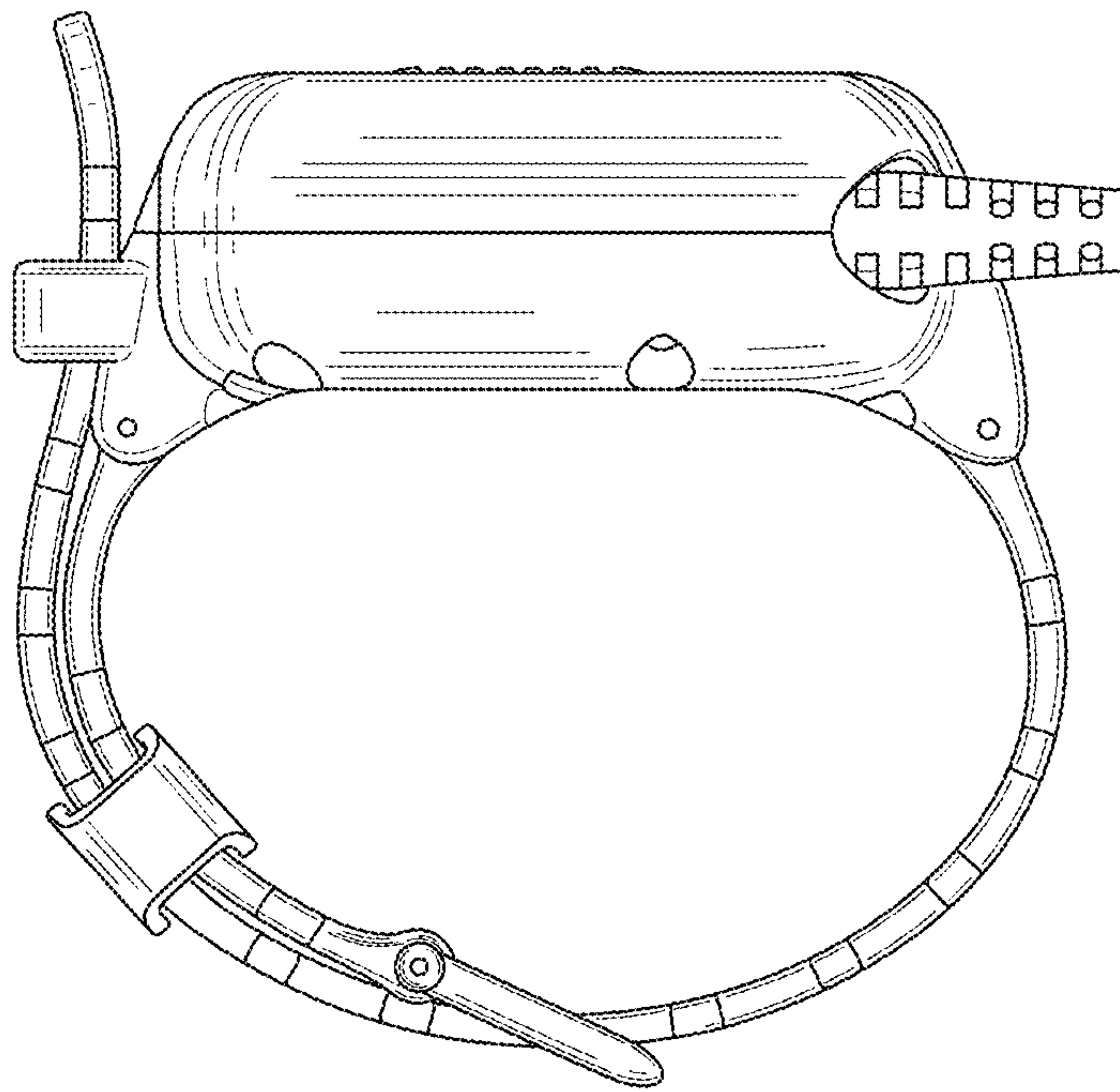


FIG. 3

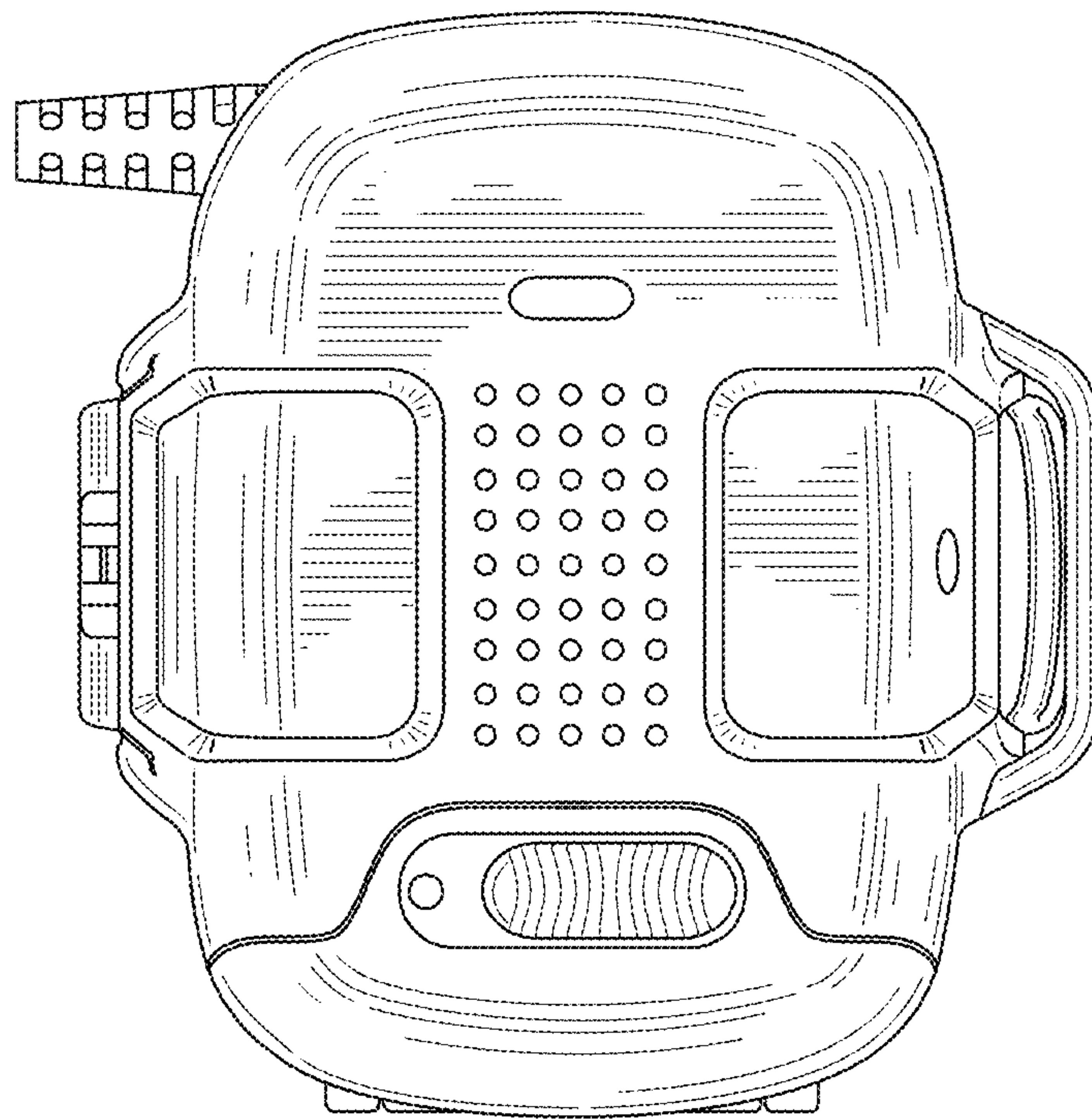


FIG. 4

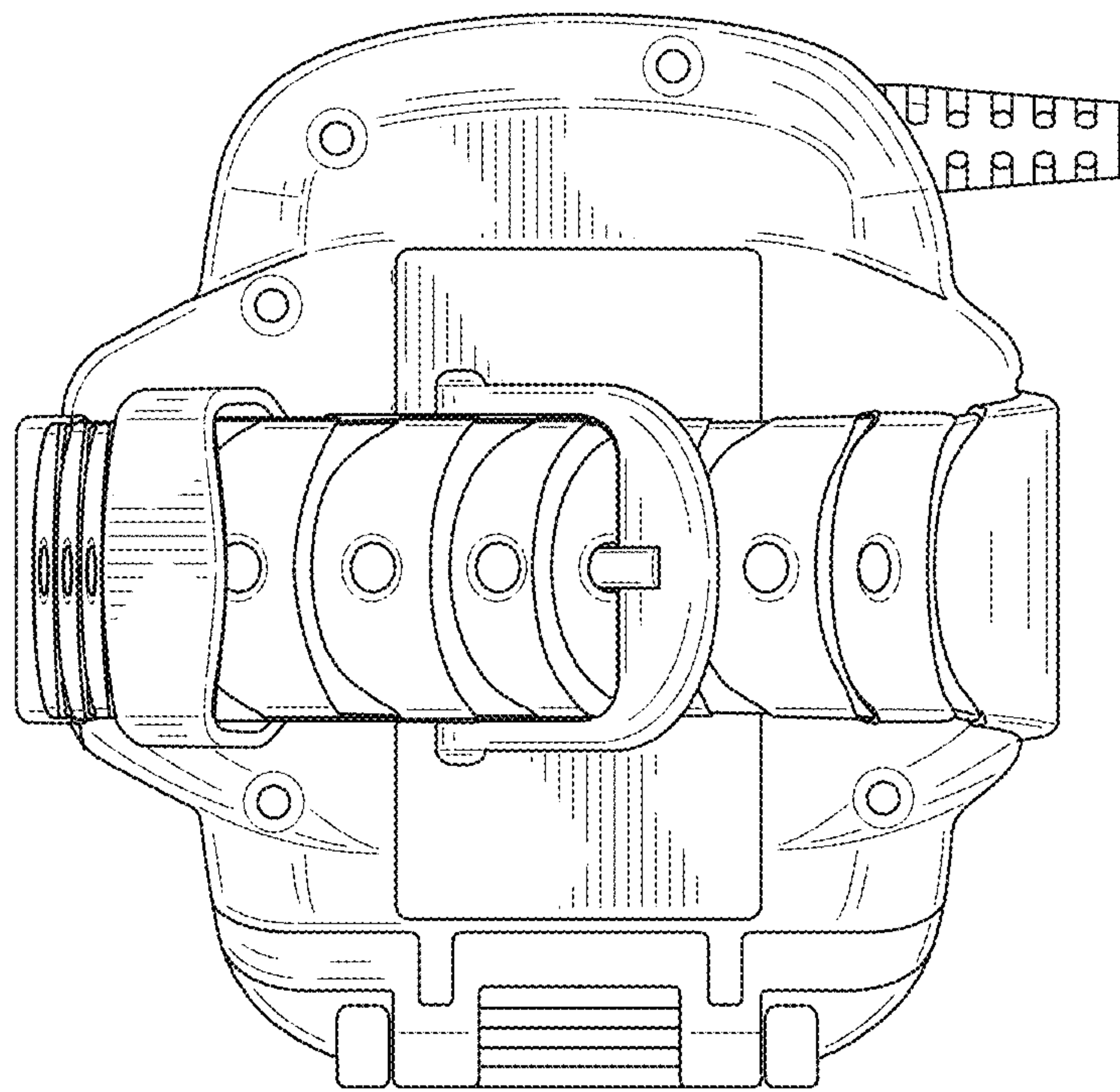


FIG. 5

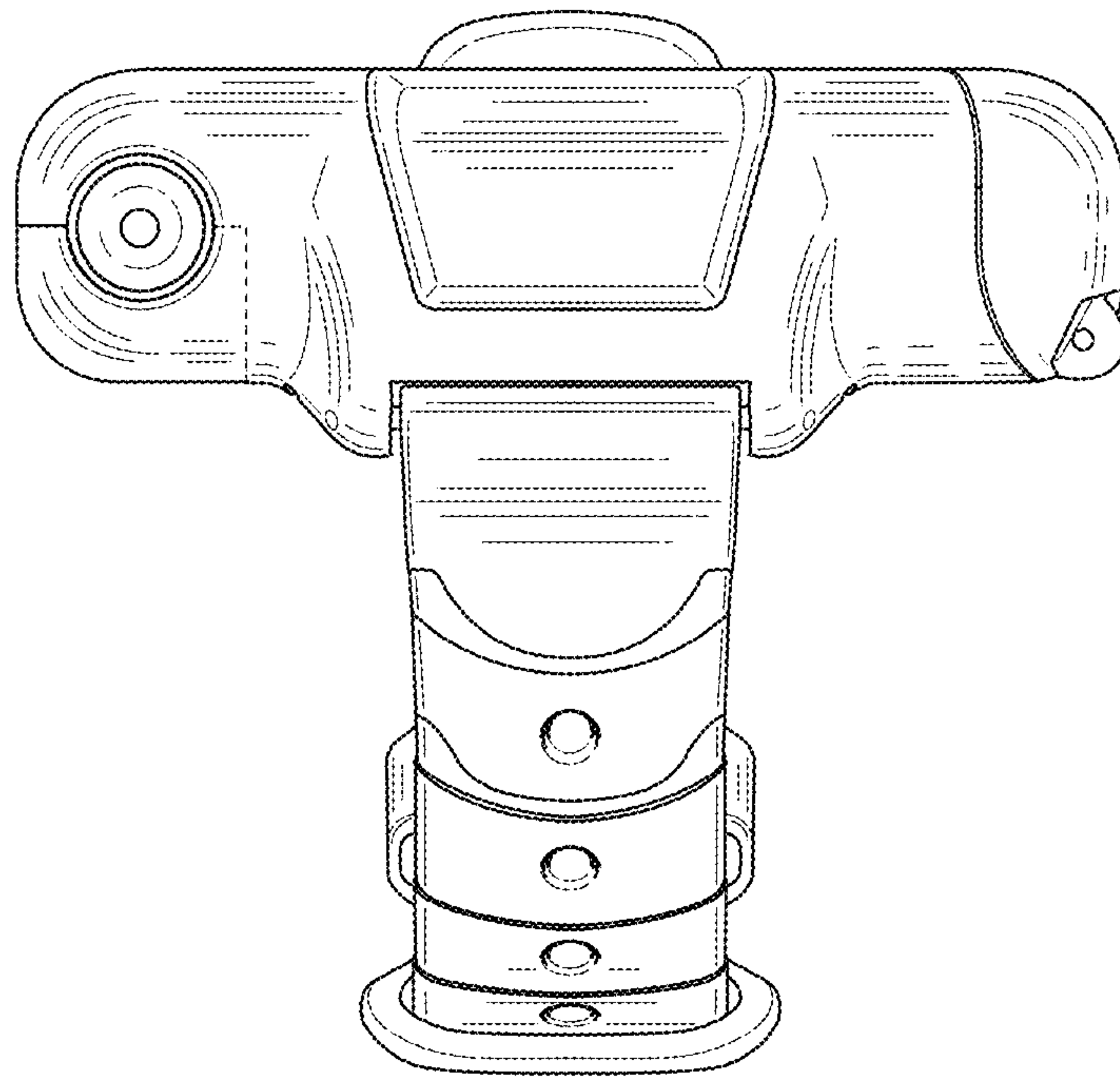


FIG. 6

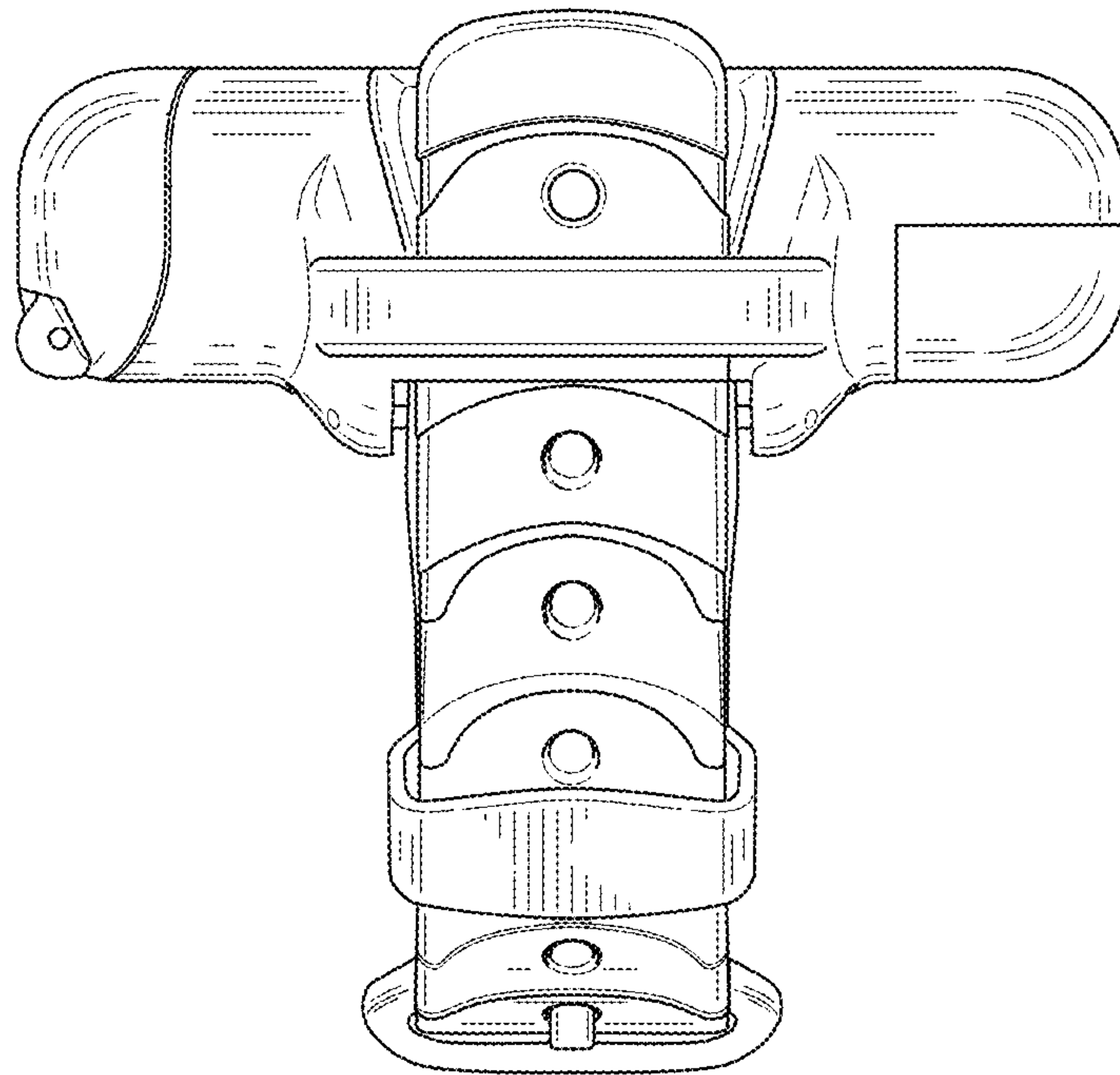


FIG. 7